



US00D764464S

(12) **United States Design Patent** (10) **Patent No.:** **US D764,464 S**
Carota (45) **Date of Patent:** **** Aug. 23, 2016**

(54) **DRIVE ARRAY**

(71) Applicant: **Lawrence Anthony Carota**, North Vancouver (CA)

(72) Inventor: **Lawrence Anthony Carota**, North Vancouver (CA)

(**) Term: **14 Years**

(21) Appl. No.: **29/492,965**

(22) Filed: **Jun. 4, 2014**

(30) **Foreign Application Priority Data**

Dec. 5, 2013 (CA) 154141

(51) **LOC (10) Cl.** **14-02**

(52) **U.S. Cl.**
USPC **D14/363**

(58) **Field of Classification Search**
USPC D14/348-370, 313, 300, 301, 180,
D14/140.4; D13/184, 103, 119, 162, 199;
D10/65, 75, 78; D9/432; D3/273
CPC G11B 20/1833; G11B 33/125; G11B
33/128; G06F 1/187; G06F 1/20; G06F
3/0689

See application file for complete search history.

(56) **References Cited**

U.S. PATENT DOCUMENTS

D208,859 S * 10/1967 Dublin et al. D13/184
D218,609 S * 9/1970 Charles D13/184
D281,315 S * 11/1985 Kjeld D13/179
4,870,643 A * 9/1989 Bultman G06F 3/0601
360/73.02
D305,227 S * 12/1989 Esslinger D14/354
D315,832 S * 4/1991 Rocheleau D13/179
D327,253 S * 6/1992 Marach D13/147
D337,114 S * 7/1993 Mantz D13/184
D348,269 S * 6/1994 Chong D13/184

5,757,617 A * 5/1998 Sherry G06F 1/184
206/387.15
D404,019 S * 1/1999 Lindsley D13/184
D428,006 S * 7/2000 Sagues D14/356
D490,805 S * 6/2004 Lee D14/312
6,839,498 B2 * 1/2005 Janus G02B 6/4478
385/134
6,925,531 B2 * 8/2005 Konshak G06F 3/0614
703/27
D541,269 S * 4/2007 Heesen D14/314
D553,105 S * 10/2007 Heller D13/184
D554,638 S * 11/2007 Heesen D14/348
7,304,855 B1 * 12/2007 Milligan G11B 33/128
361/724
D733,653 S * 7/2015 Sevakivi D13/123
2005/0100302 A1 * 5/2005 Schray G02B 6/4452
385/135
2005/0283974 A1 * 12/2005 Richard H01R 24/44
29/825
2011/0036552 A1 * 2/2011 Lu B01D 53/8675
165/185

* cited by examiner

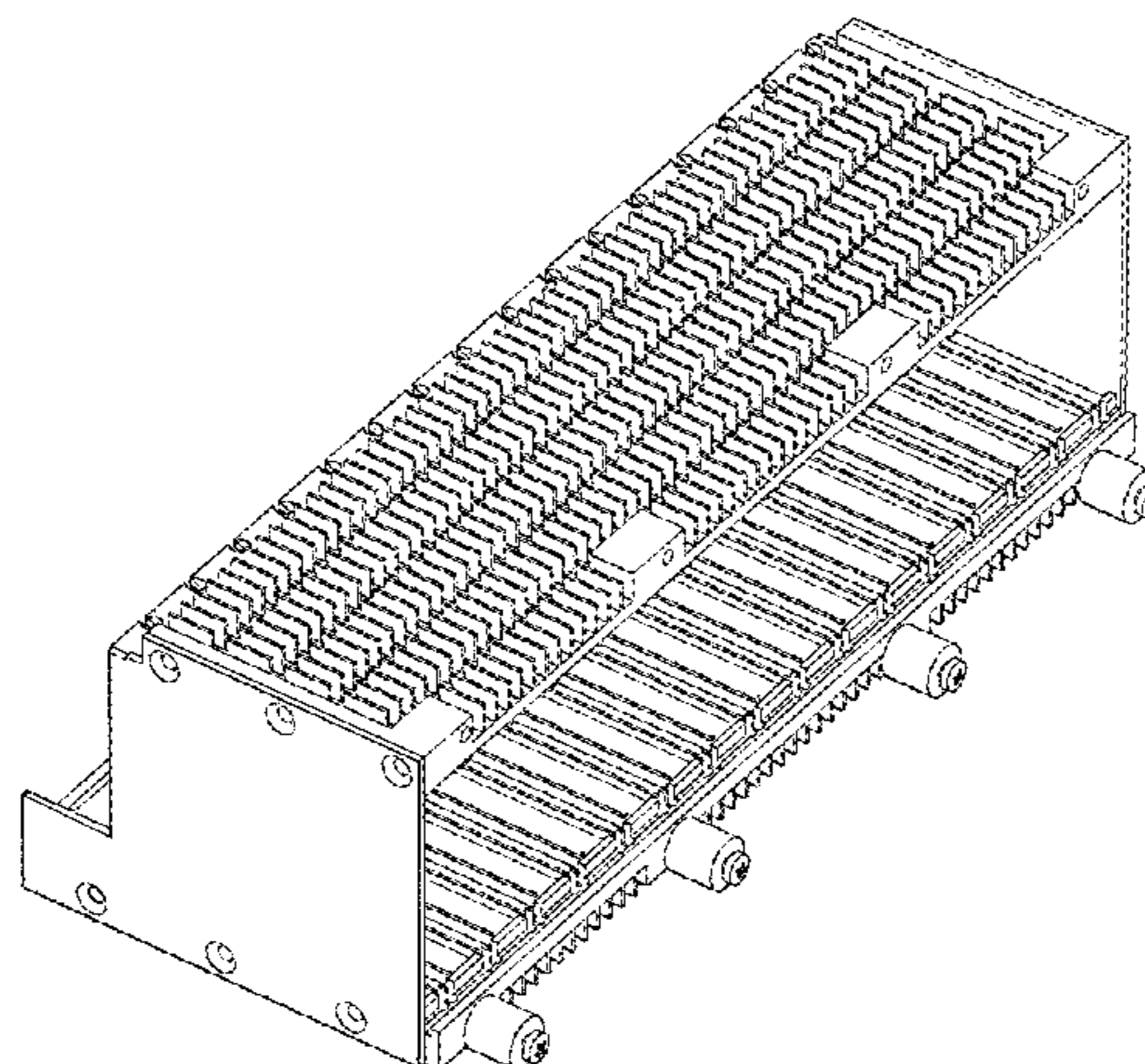
Primary Examiner — Rosemary K Tarcza
Assistant Examiner — Nathaniel D Buckner
(74) *Attorney, Agent, or Firm* — Nixon & Vanderhye PC

(57) **CLAIM**
The ornamental design for a drive array, as shown and described.

DESCRIPTION

FIG. 1 is a front perspective view of a design of a drive array;
FIG. 2 is a rear perspective view thereof;
FIG. 3 is a front view of thereof;
FIG. 4 is a back view thereof;
FIG. 5 is a side view thereof;
FIG. 6 is a top view thereof; and,
FIG. 7 is a bottom view thereof.
The broken lines show environmental structure and form no part of the claimed design.

1 Claim, 7 Drawing Sheets



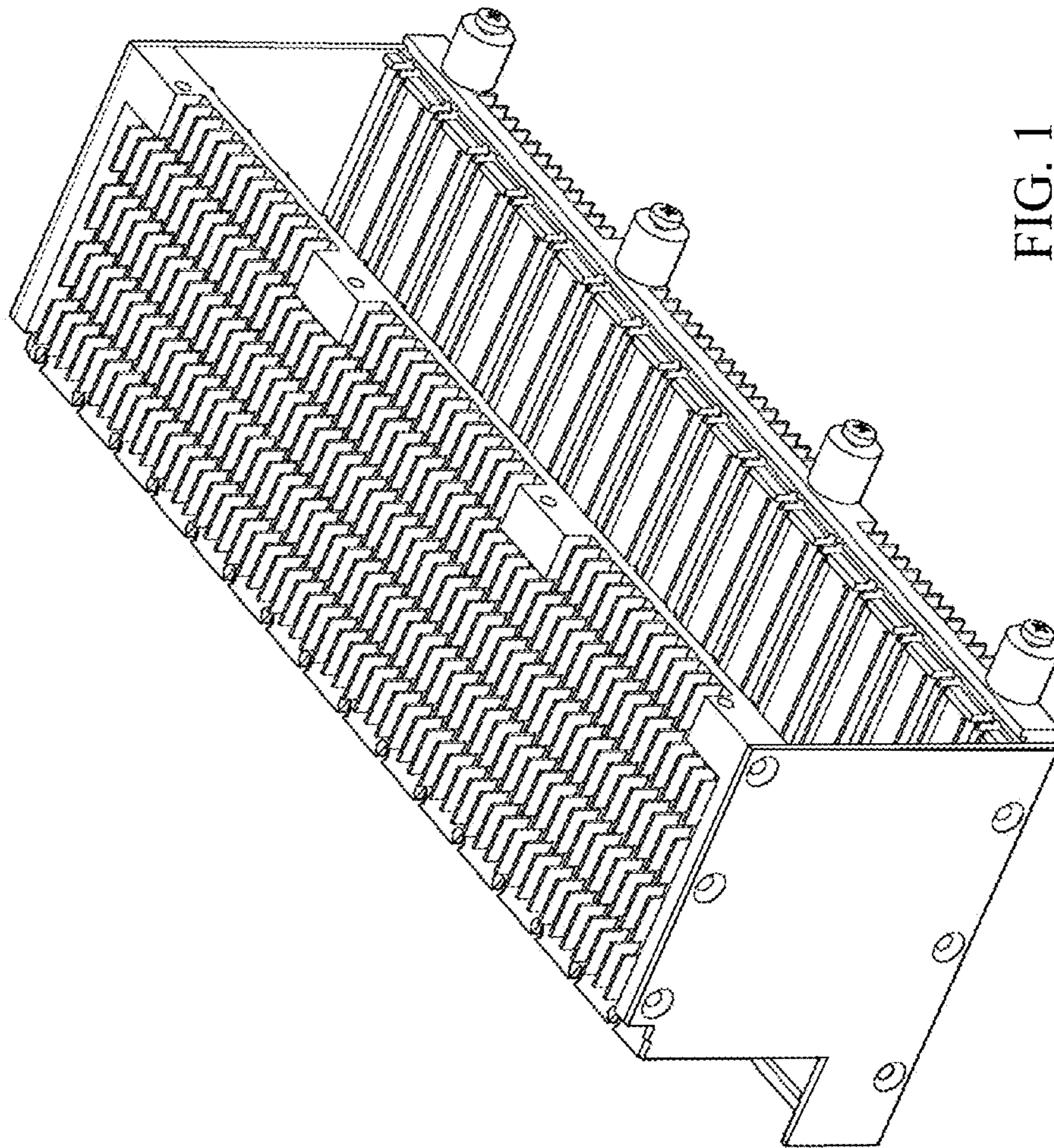


FIG. 1

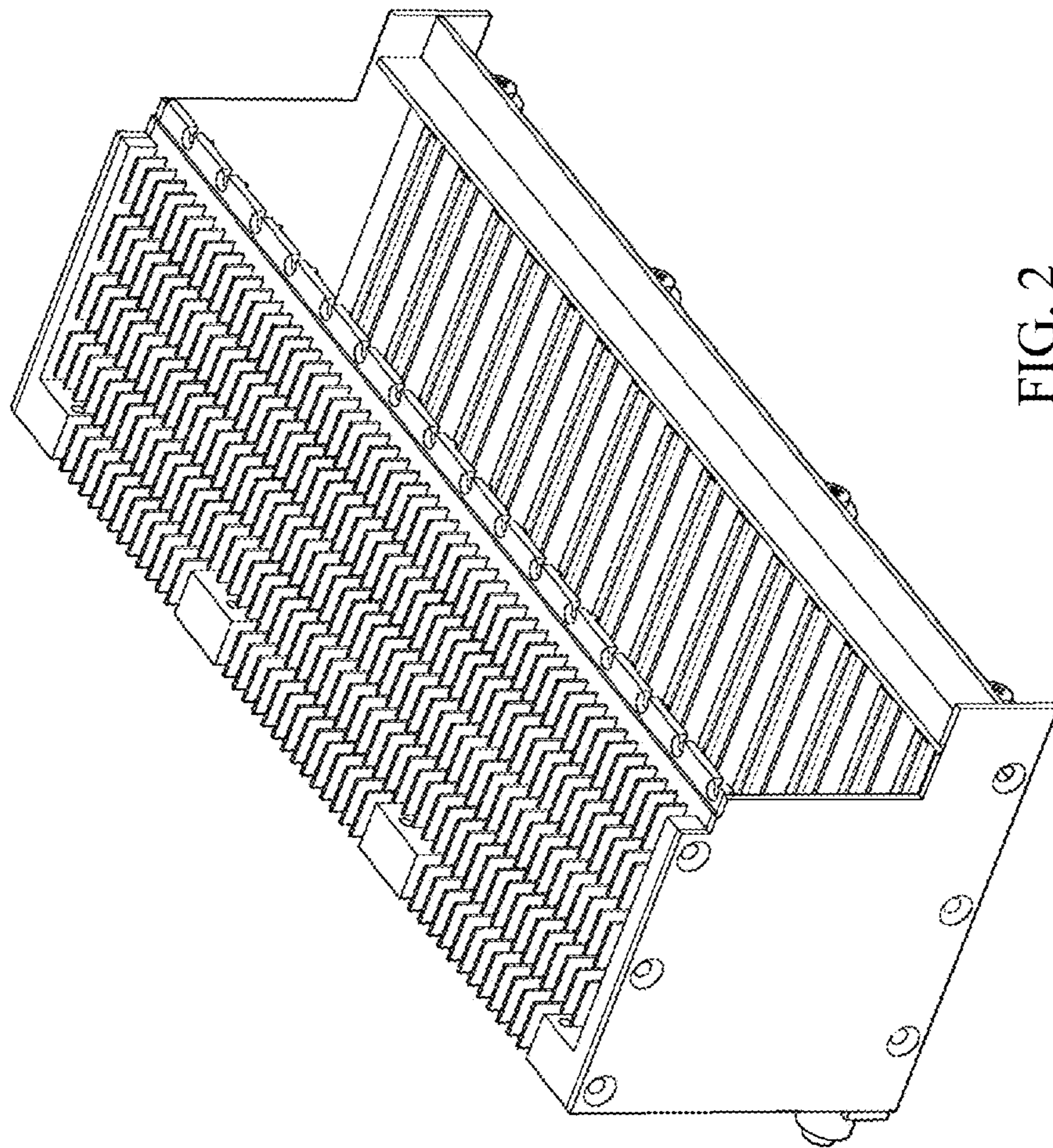


FIG. 2

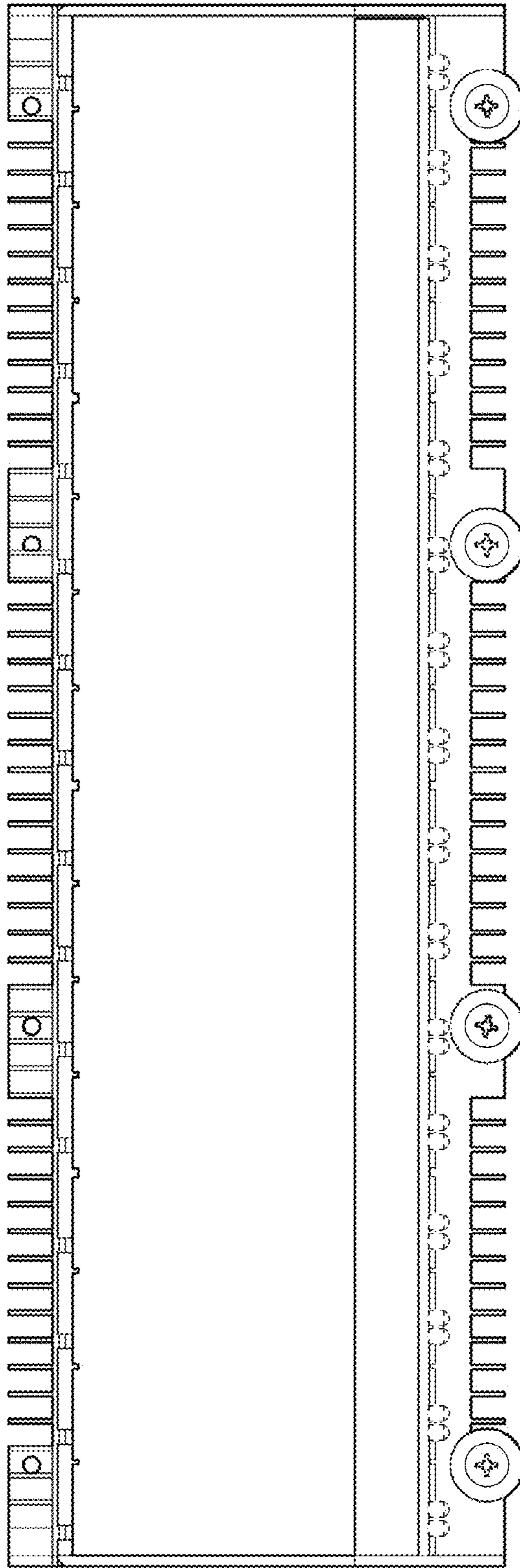


FIG. 3

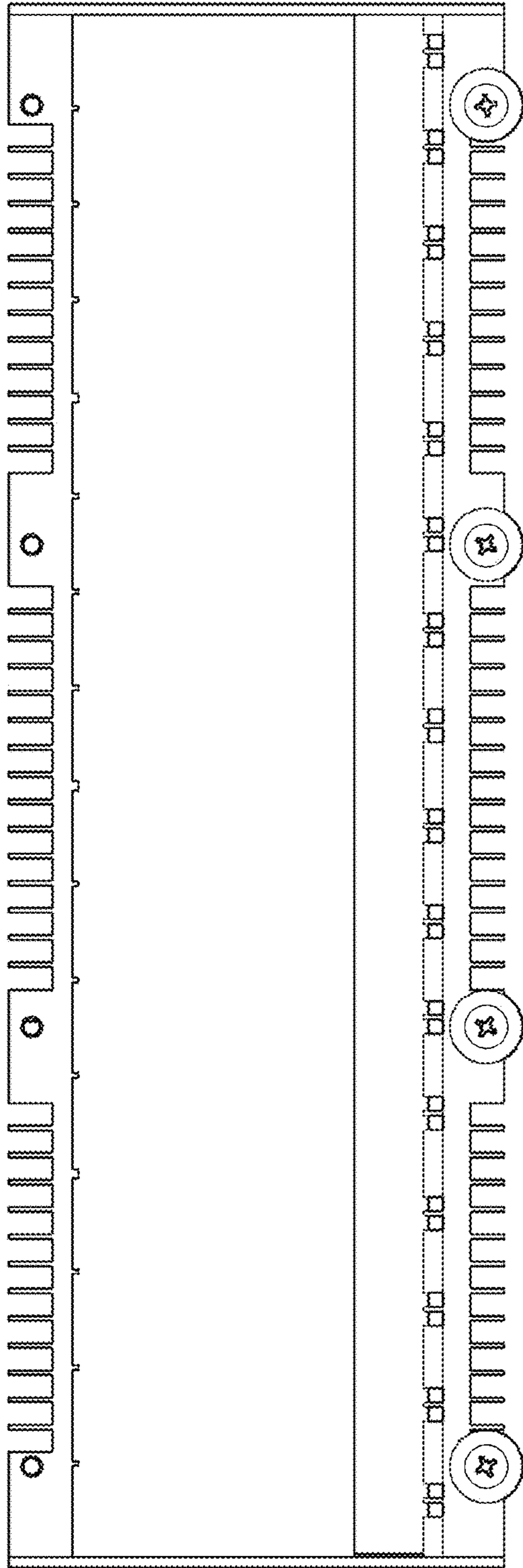


FIG. 4

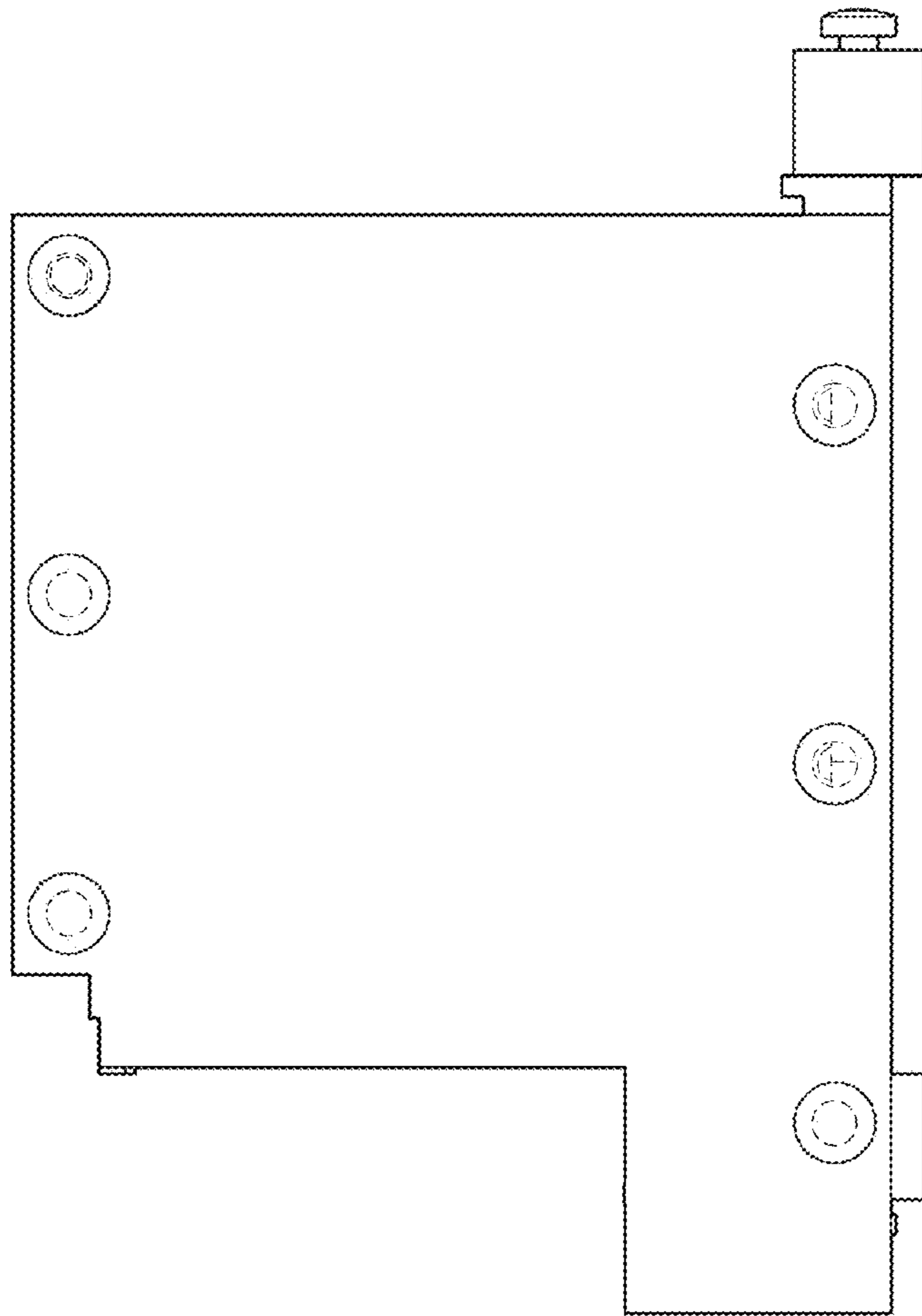


FIG. 5

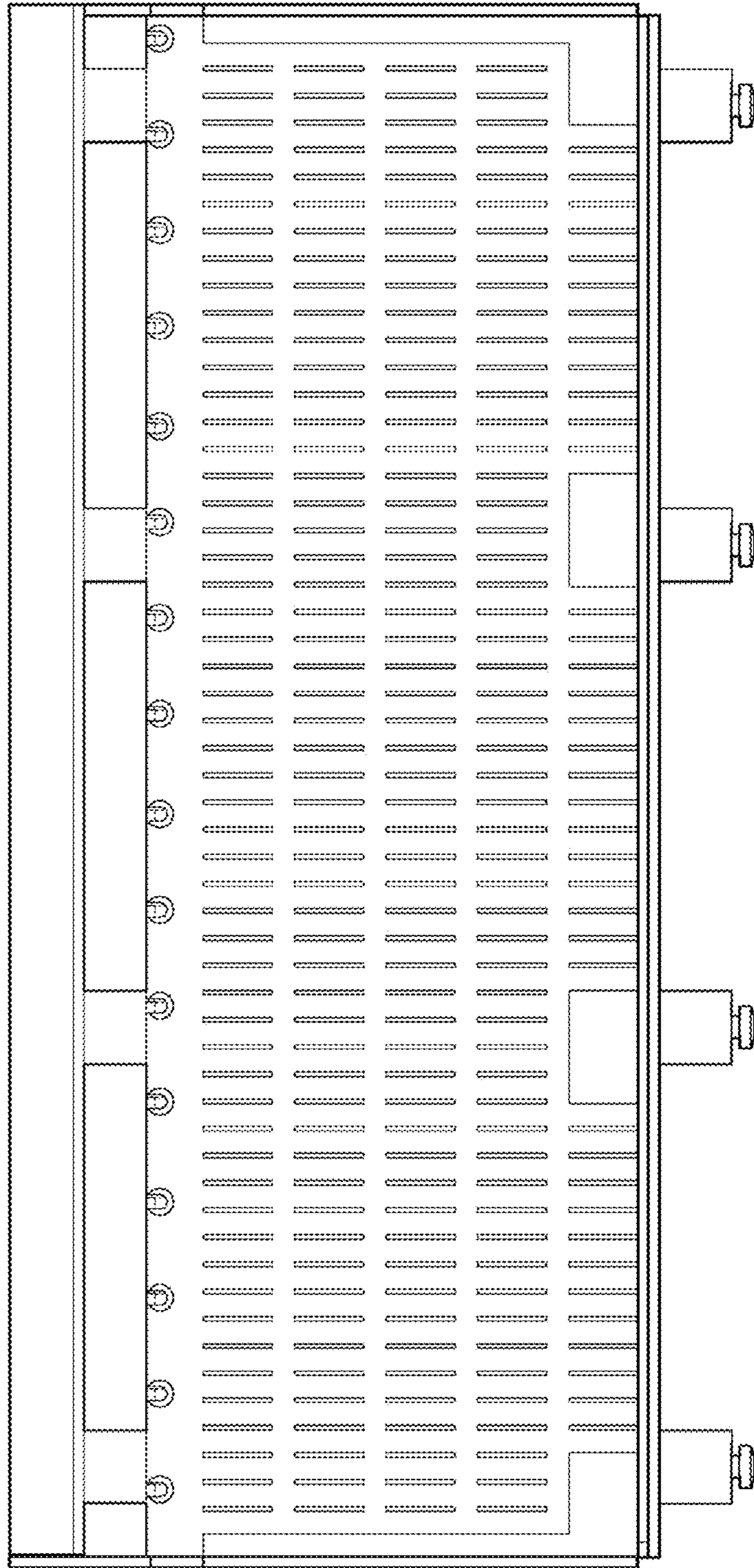


FIG. 6

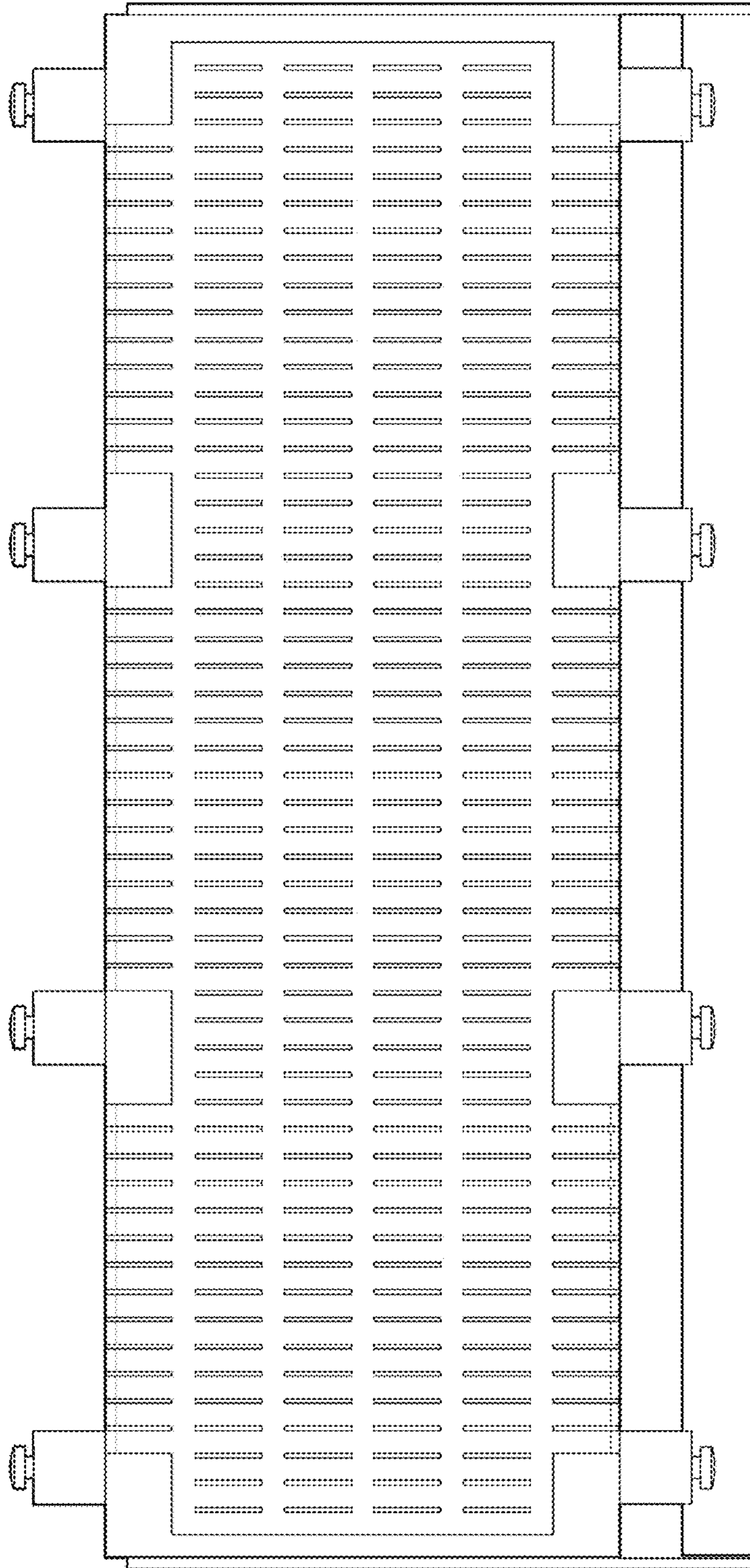


FIG. 7