

US00D764462S

(12) **United States Design Patent** (10) **Patent No.:** **US D764,462 S**
Romanoff et al. (45) **Date of Patent:** **** Aug. 23, 2016**

(54) **DEVICE FOR TRACKING STATUS OF TIME-SENSITIVE ARTICLES**

(71) Applicant: **VIVEO LABS, INC.**, Bala Cynwyd, PA (US)

(72) Inventors: **Harris Gabriel Romanoff**, Bala Cynwyd, PA (US); **Ravi Shankar Venkata Dwivedula**, San Jose, CA (US); **Daniel Kendall Harden**, Palo Alto, CA (US)

(73) Assignee: **Viveo Labs, Inc.**, Bala Cynwyd, PA (US)

(**) Term: **14 Years**

(21) Appl. No.: **29/524,257**

(22) Filed: **Apr. 17, 2015**

(51) **LOC (10) Cl.** **14-02**

(52) **U.S. Cl.**
USPC **D14/358**; D14/453

(58) **Field of Classification Search**
USPC D14/358, 453
CPC G06Q 10/08; G06Q 10/0833; G06Q 10/087; G06Q 10/0875; G06Q 20/36; G06Q 30/0601; G06Q 30/0603; G06Q 30/0633; G06Q 30/0641; G06Q 30/0643
See application file for complete search history.

(56) **References Cited**

U.S. PATENT DOCUMENTS

D481,389 S *	10/2003	Owen	D14/358
D618,681 S *	6/2010	Richter	D14/358
D621,832 S *	8/2010	Lee	D14/358
D633,496 S *	3/2011	Busri	D14/358
D669,894 S *	10/2012	Cobbett	D14/358
8,438,063 B2 *	5/2013	Albisu	G06Q 20/20 705/16
9,262,739 B2 *	2/2016	Scrivner	G06Q 10/083

OTHER PUBLICATIONS

“Amazon Dash Button,” Web page <https://www.amazon.com/oc/dash-button>, 5 pages, retrieved from Internet Archive Wayback Machine <https://web.archive.org/web/20150401093326/https://www.amazon.com/oc/dash-button> on Sep. 21, 2015.

* cited by examiner

Primary Examiner — Antoine D Davis

(74) *Attorney, Agent, or Firm* — Knobbe, Martens, Olson & Bear, LLP

(57) **CLAIM**

The ornamental design for a device for tracking status of time-sensitive articles, as shown and described.

DESCRIPTION

FIG. 1 is a right front perspective view of a device for tracking status of time-sensitive articles, showing our new design in a first embodiment, in a closed and wrapped configuration;

FIG. 2 is a front elevational view thereof;

FIG. 3 is a right side elevational view thereof;

FIG. 4 is a left side elevational view thereof;

FIG. 5 is a top plan view thereof;

FIG. 6 is a bottom plan view thereof;

FIG. 7 is a left rear perspective view thereof;

FIG. 8 is a back elevational view thereof;

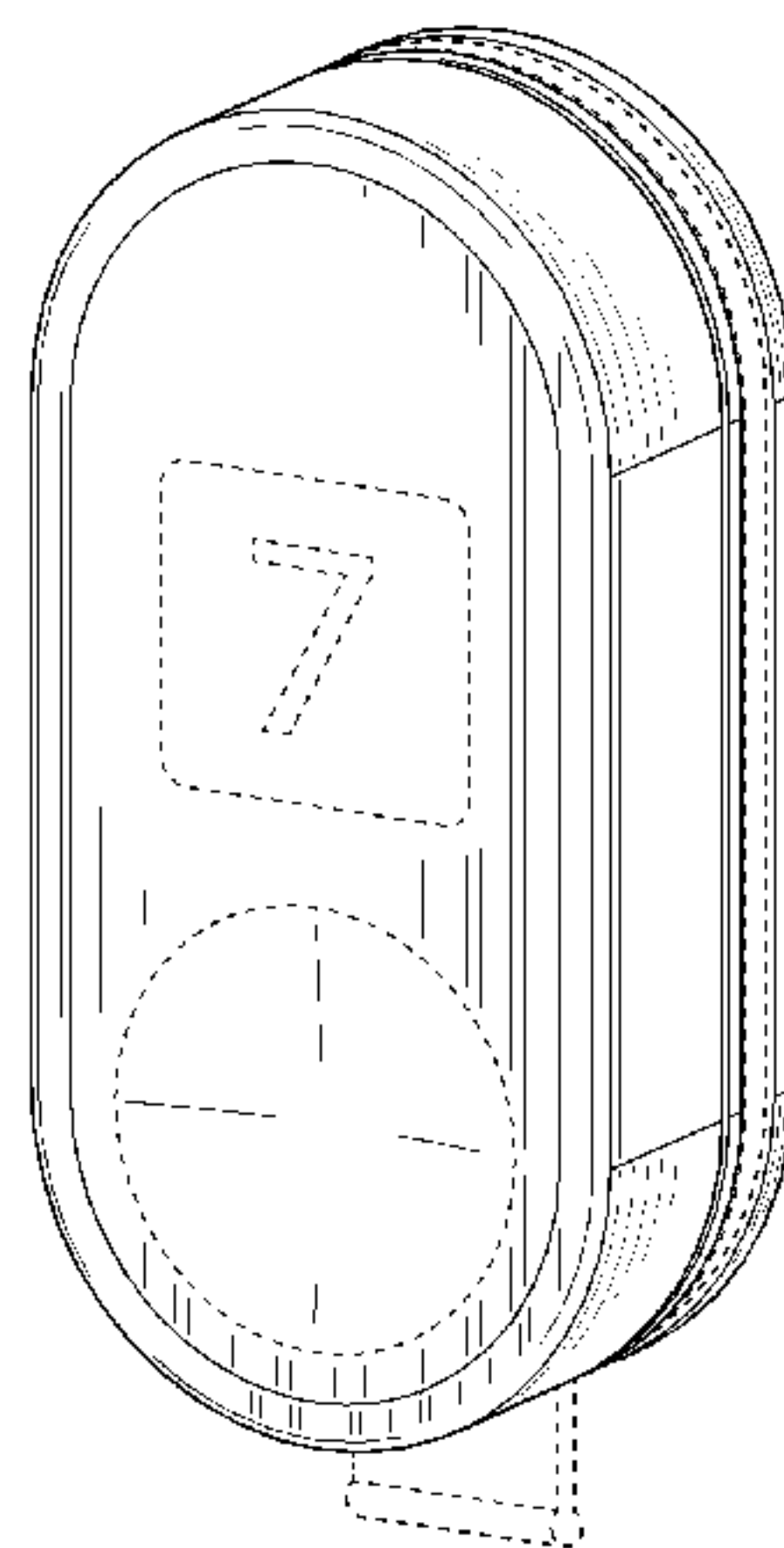
FIG. 9 is a left rear perspective view of back and front pieces of the device in an open and wrapped configuration in accordance with an embodiment;

FIG. 10 is a perspective view of the device in an open and wrapped configuration, showing a left rear perspective view of the front piece and a right front perspective view of the back piece in accordance with an embodiment; and,

FIG. 11 is a perspective view of the device in an open and unwrapped configuration, showing a left rear perspective view of the front piece and a right front perspective view of the back piece in the unwrapped configuration in accordance with an embodiment.

The broken line showing of **structural features** is included for the purpose of illustrating non-claimed subject matter and forms no part of the claimed design.

1 Claim, 9 Drawing Sheets



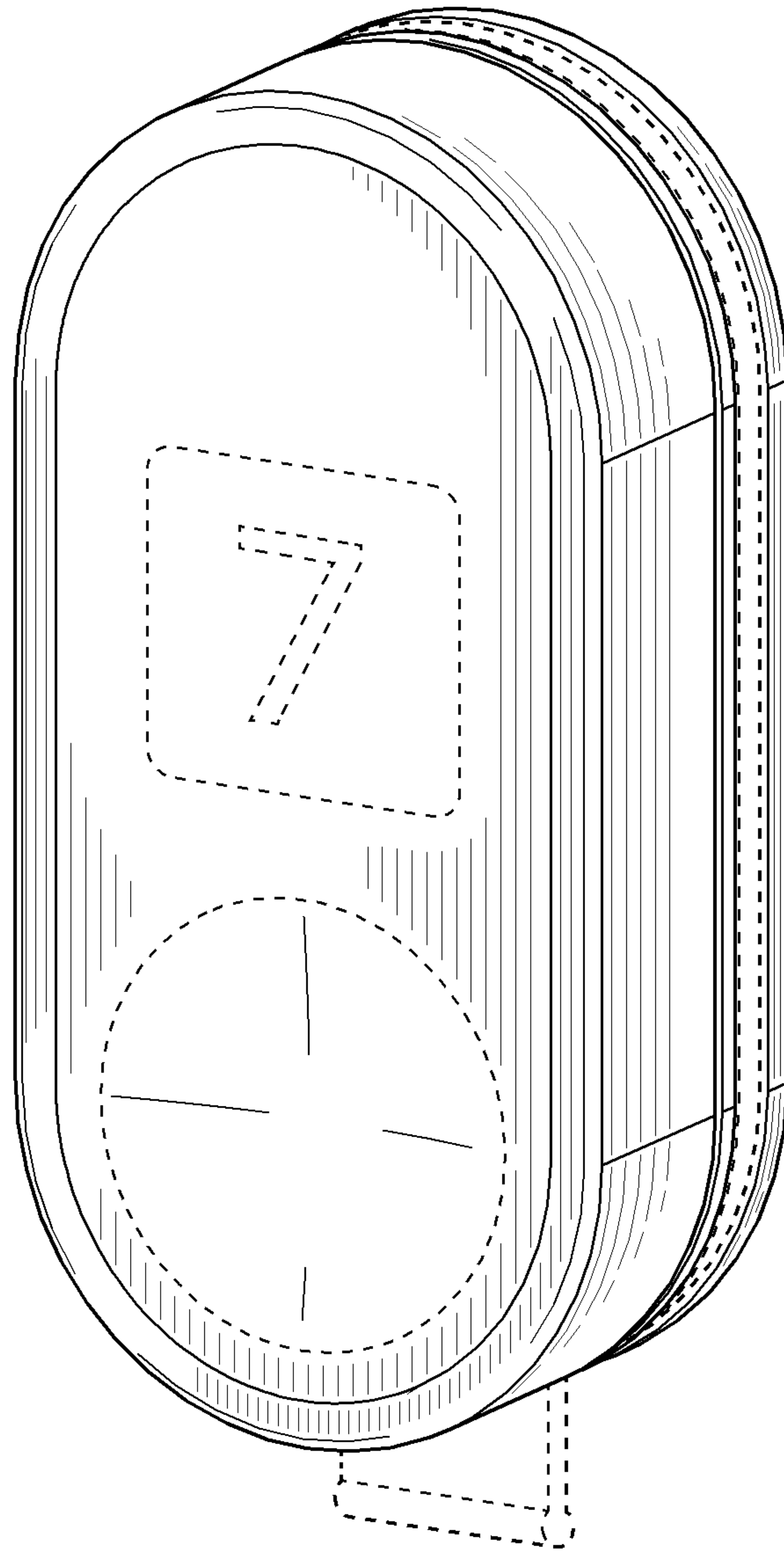


FIG. 1

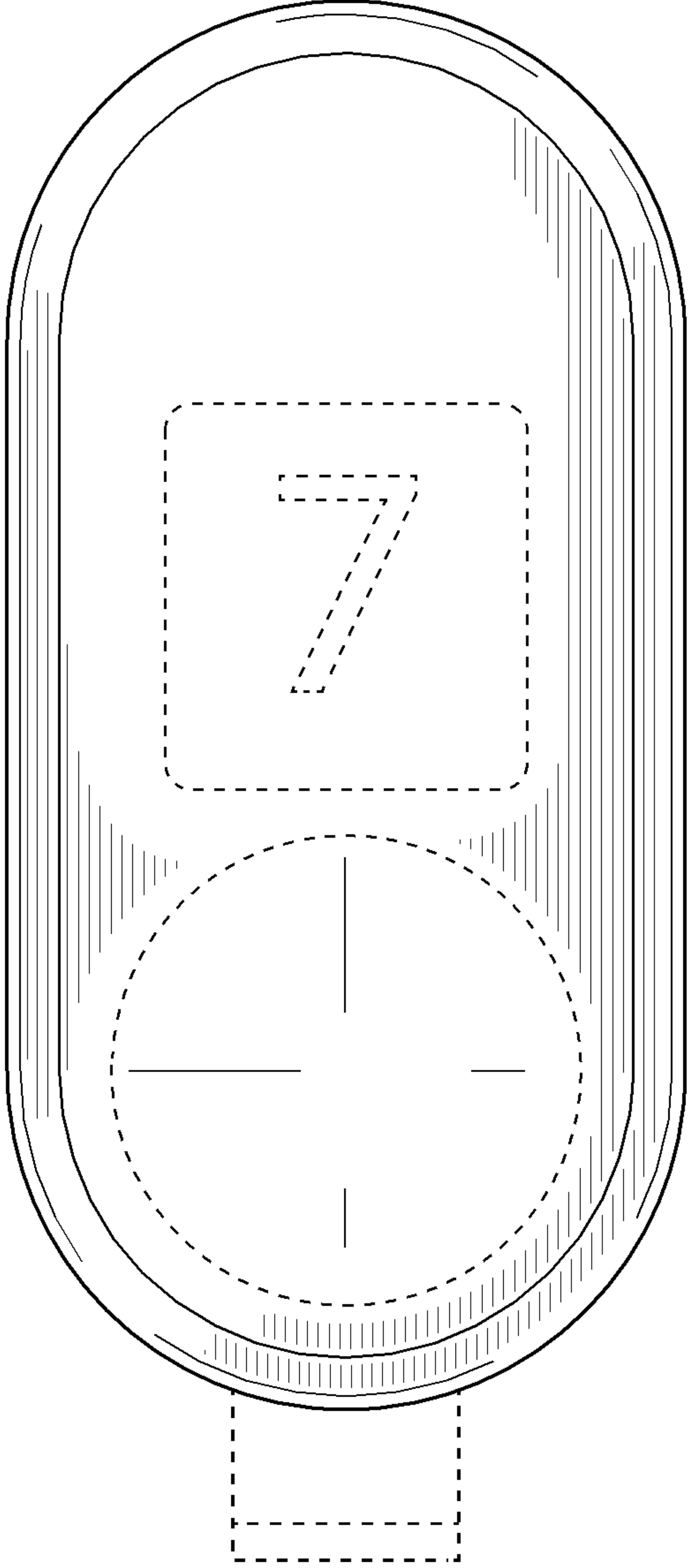


FIG. 2

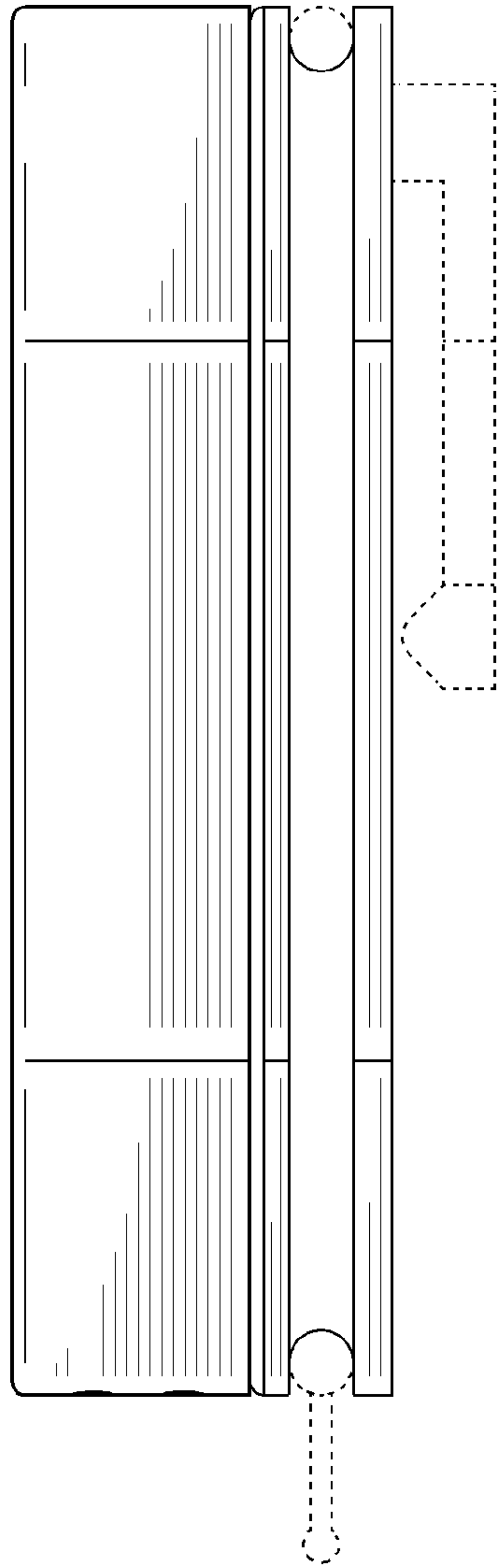


FIG. 3

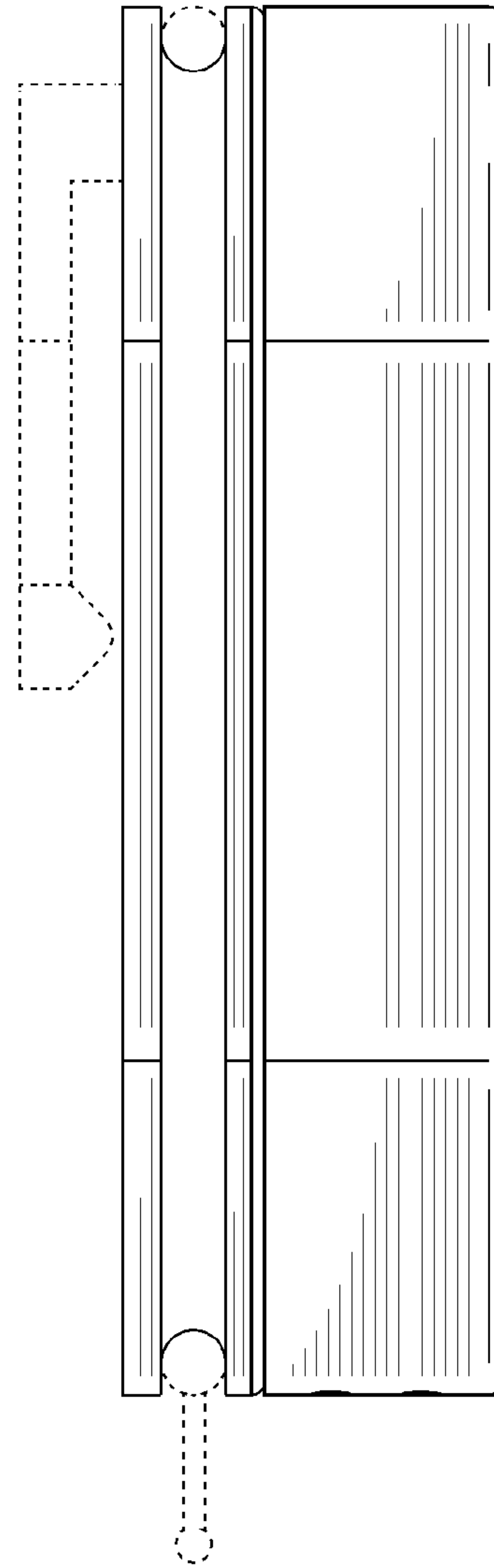


FIG. 4

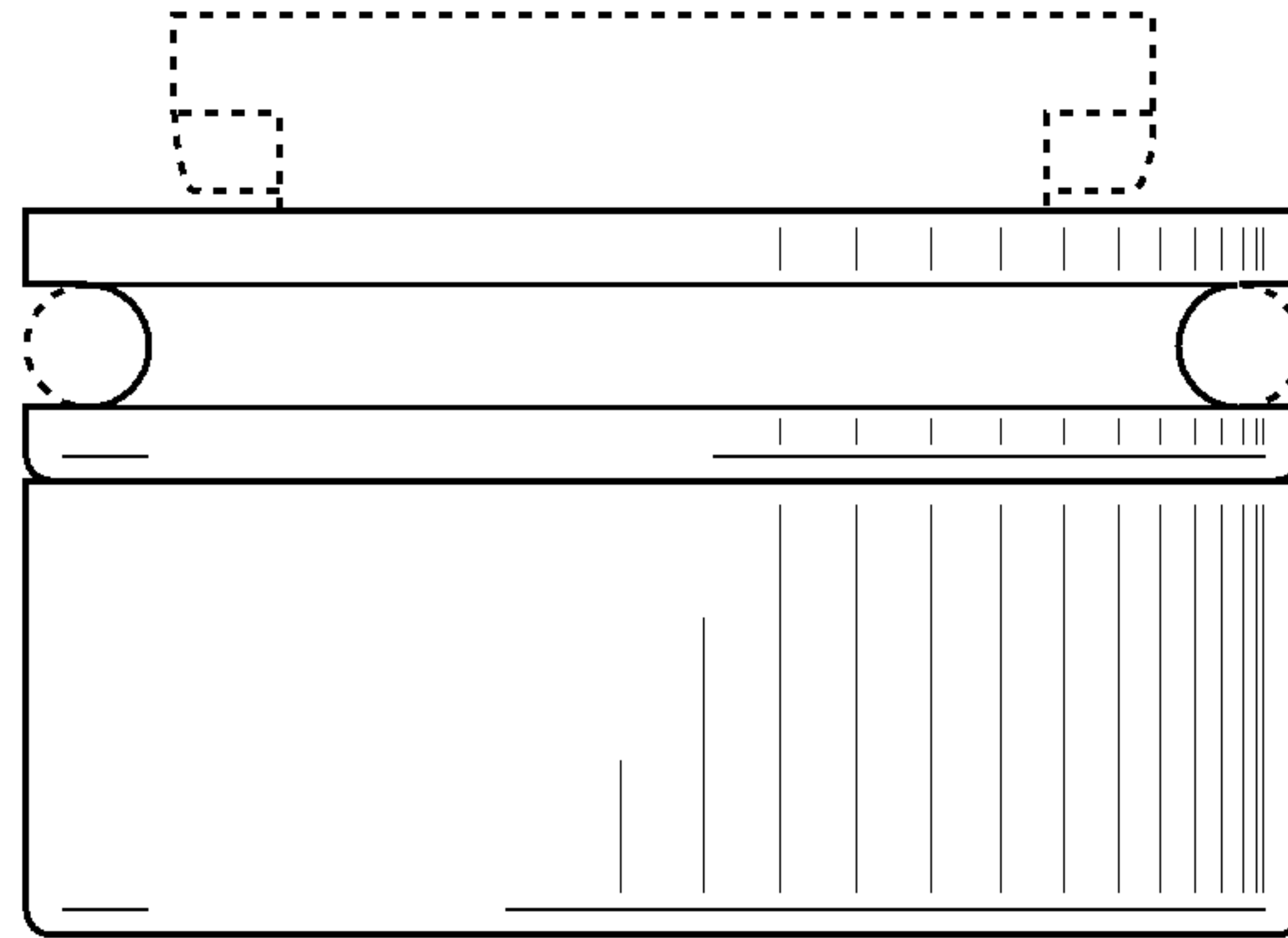


FIG. 5

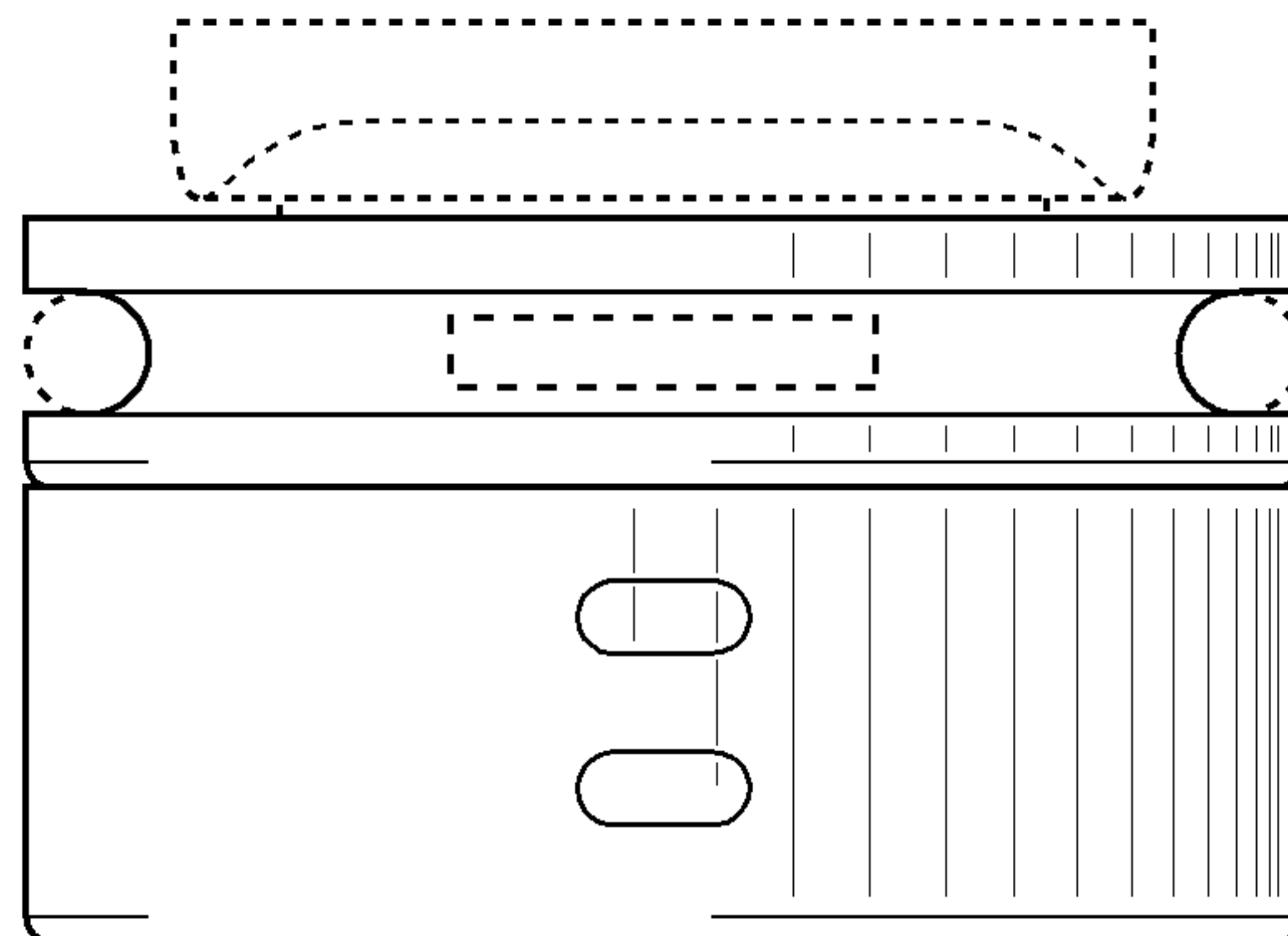


FIG. 6

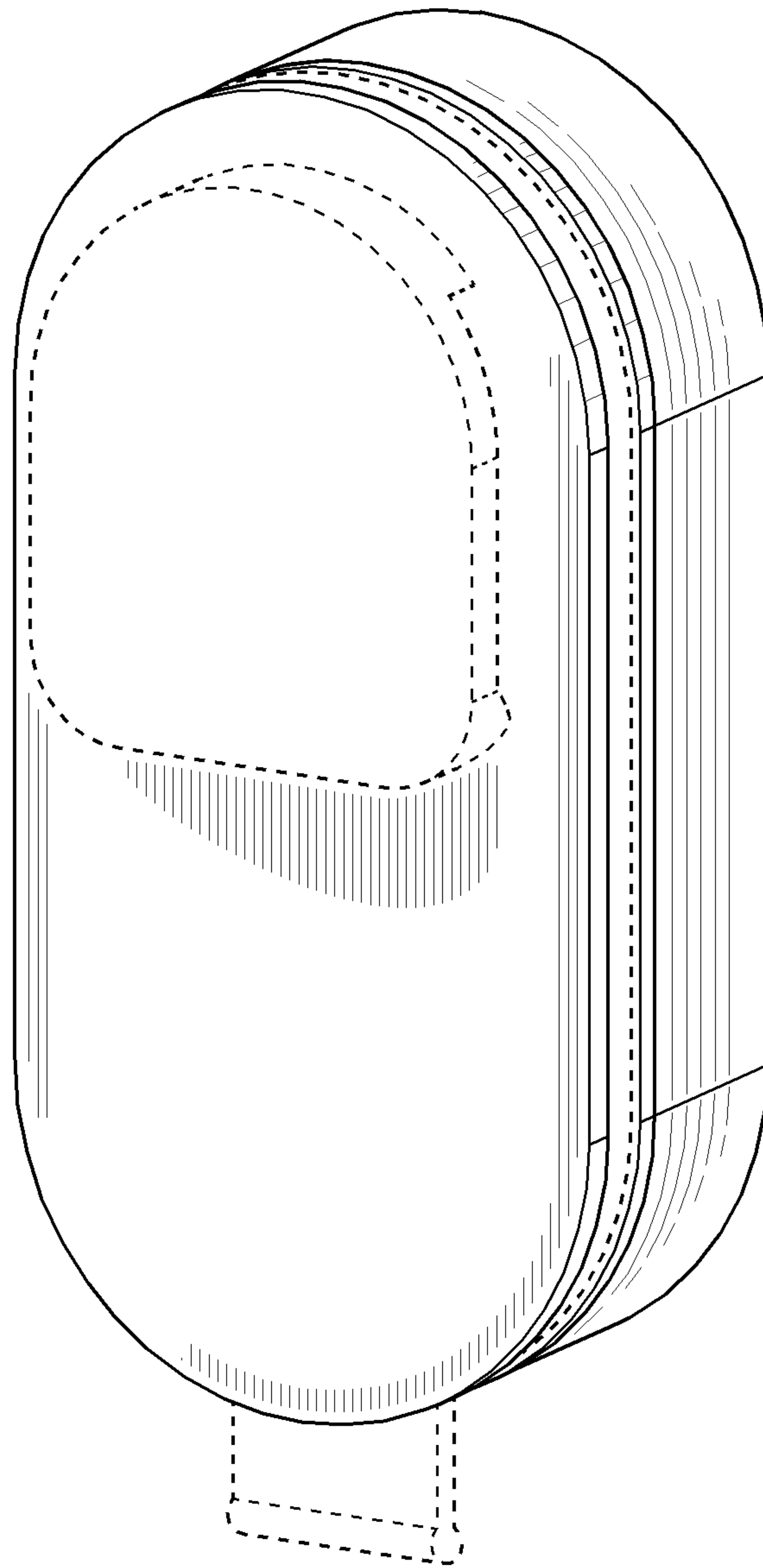


FIG. 7

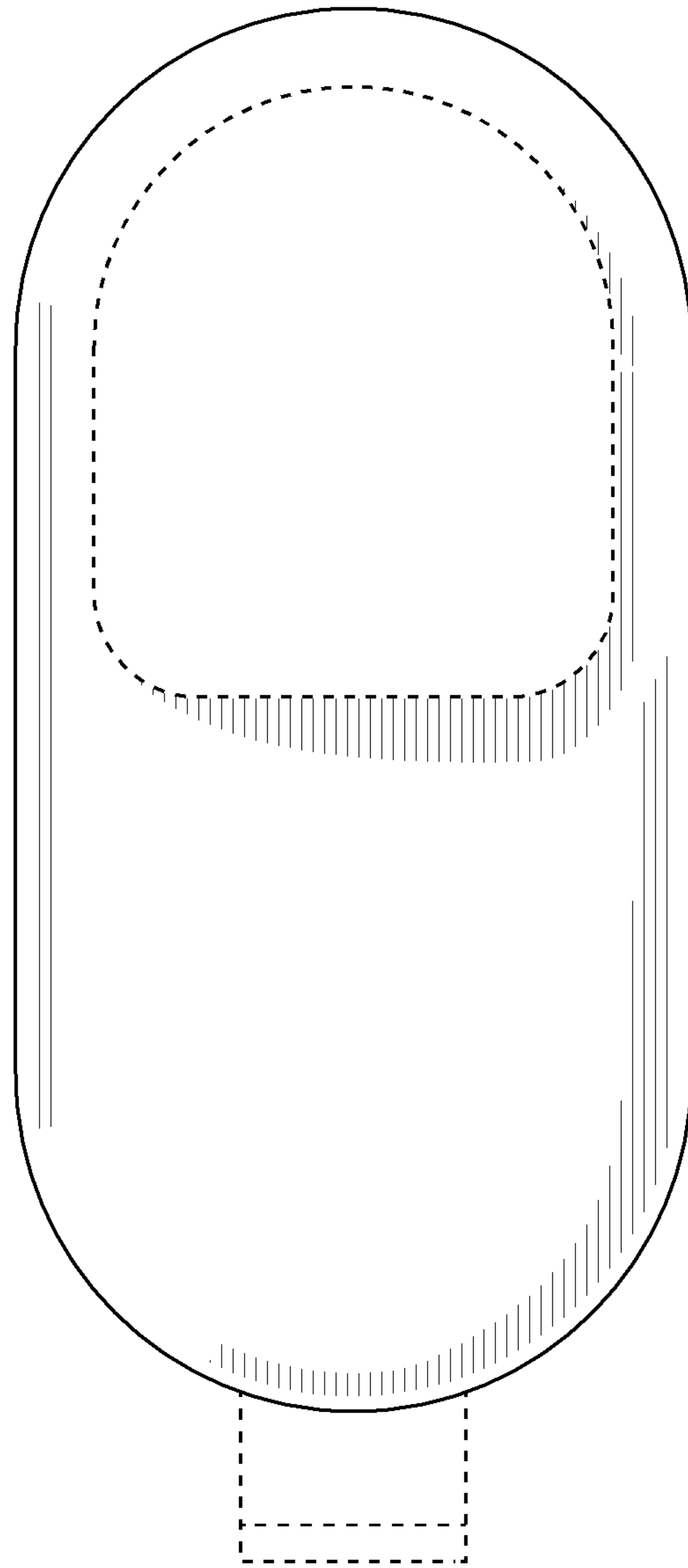


FIG. 8

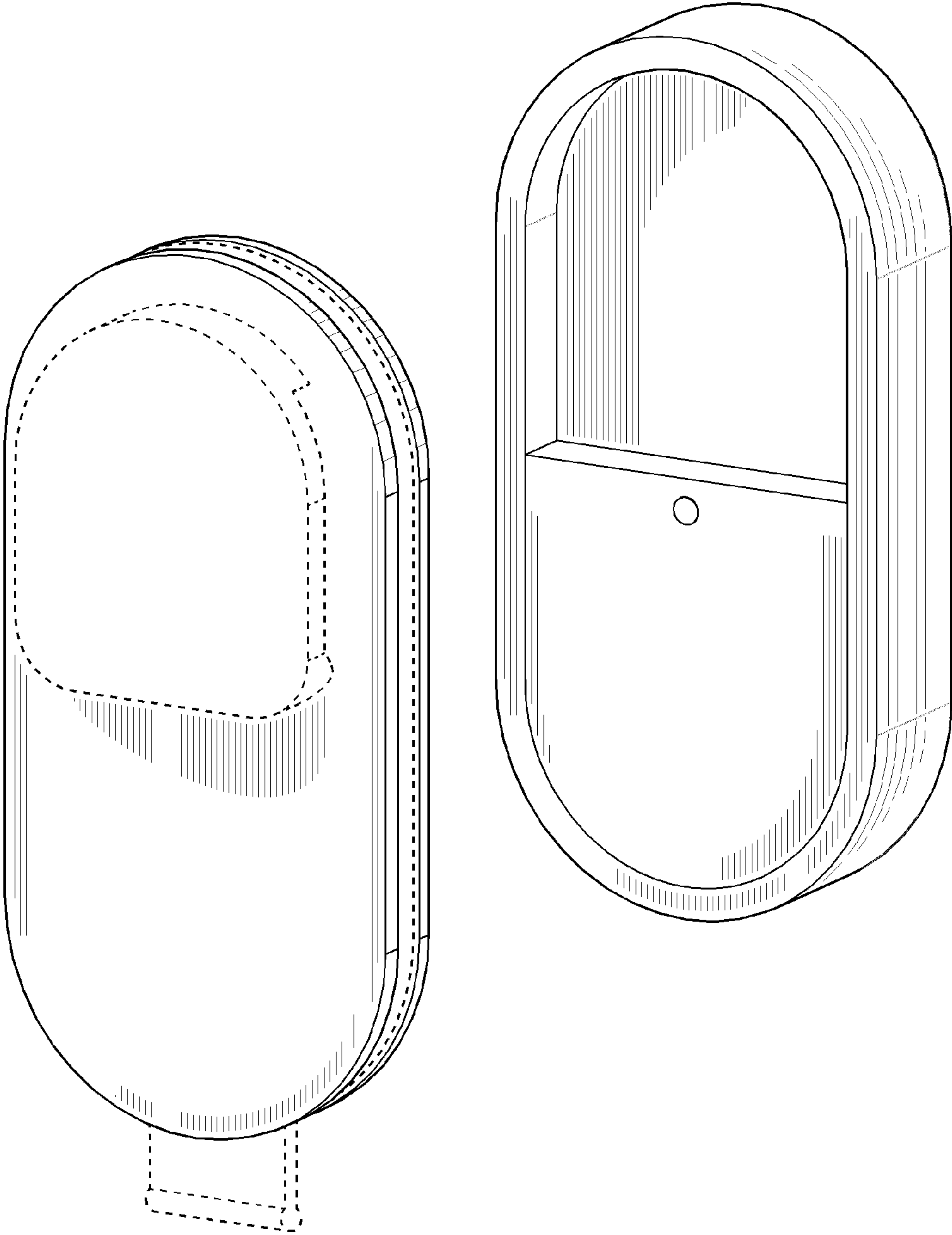


FIG. 9

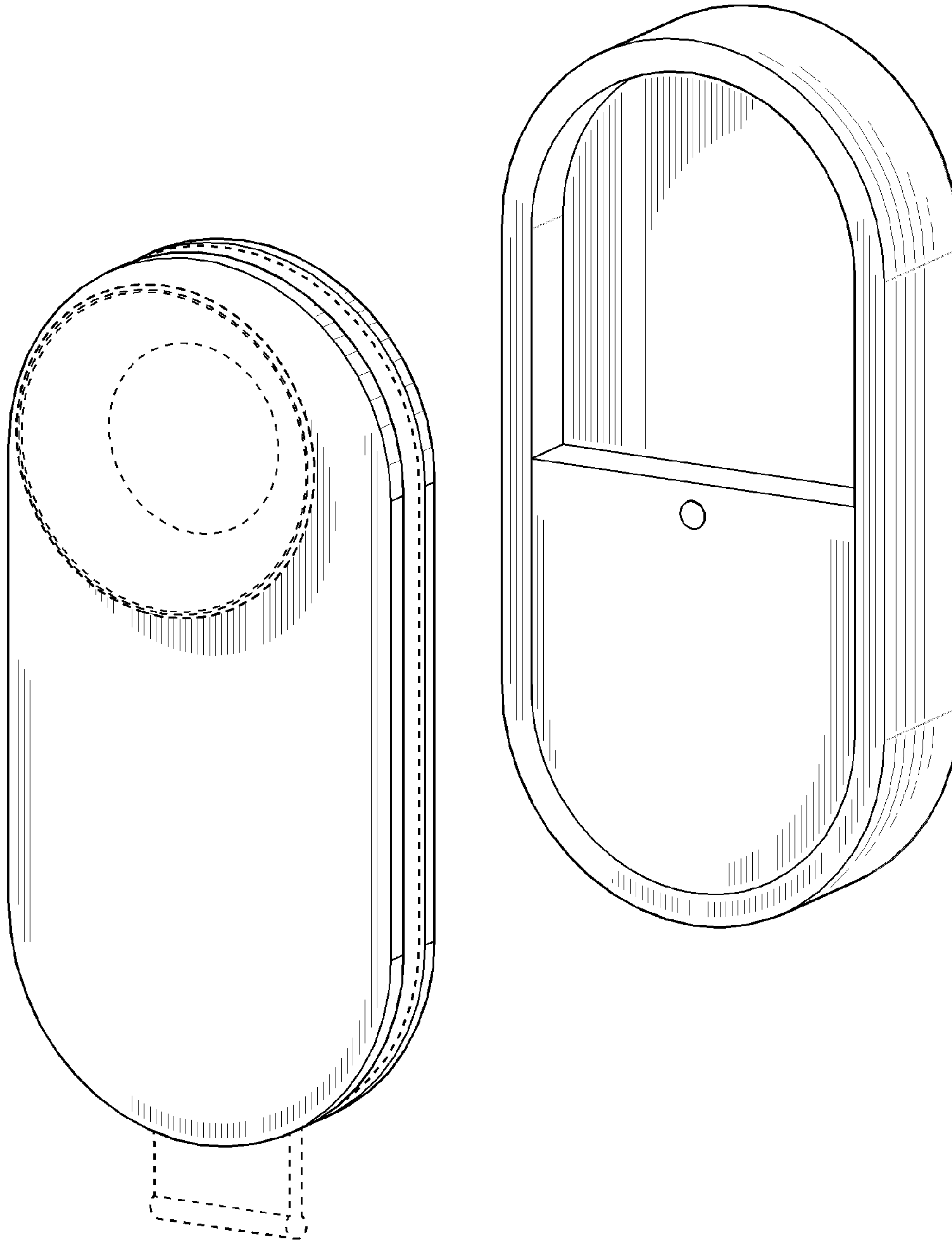


FIG. 10

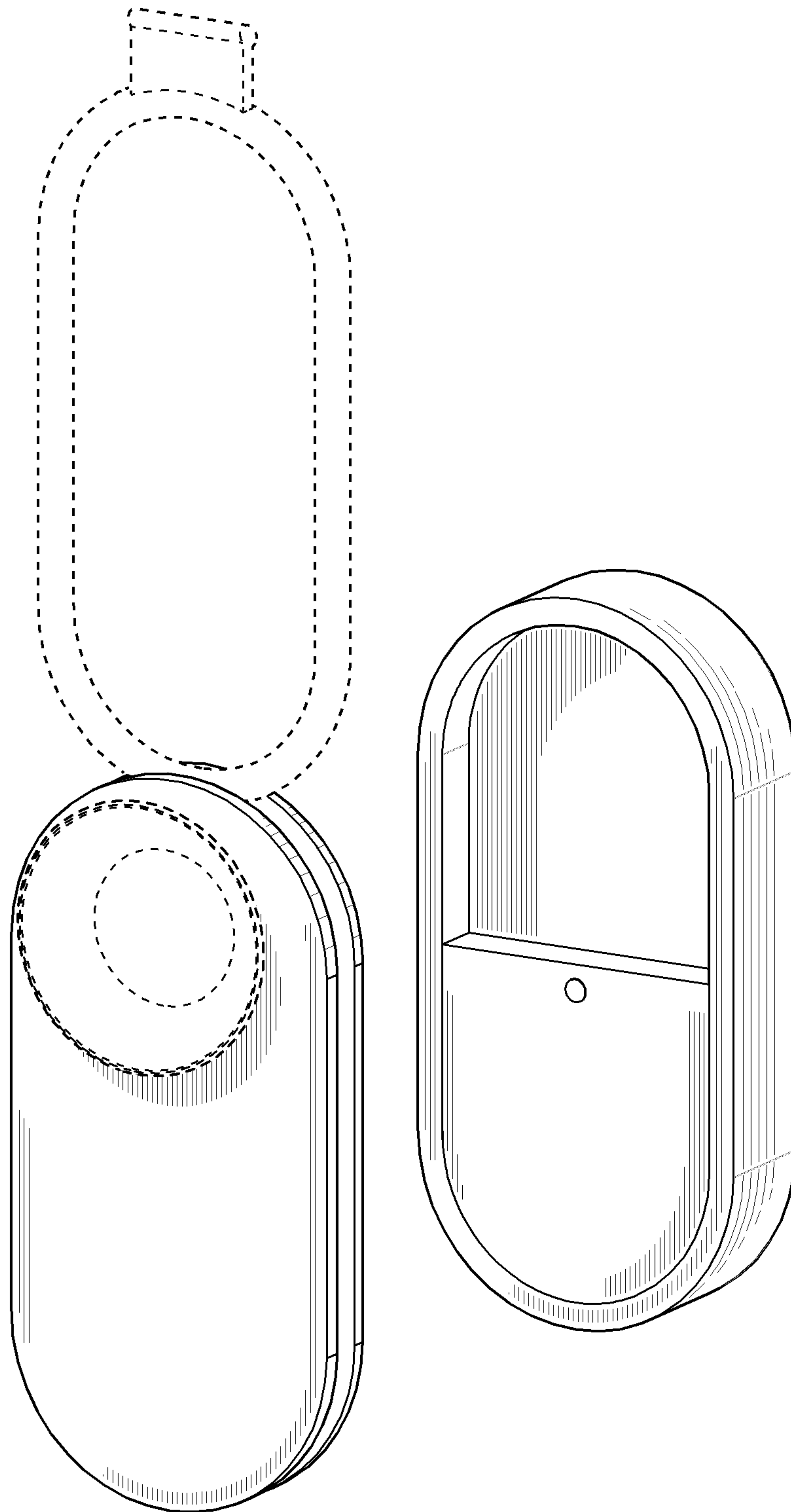


FIG. 11