



US00D764460S

(12) **United States Design Patent**  
**Veja et al.**

(10) **Patent No.:** **US D764,460 S**

(45) **Date of Patent:** **\*\* Aug. 23, 2016**

(54) **INFORMATION SECURITY APPLIANCE**

(71) Applicant: **Bitdefender IPR Management Ltd.**,  
Nicosia (CY)

(72) Inventors: **Alexandru V. Veja**, Cluj-Napoca (RO);  
**Andrei Barbu**, Vaslui (RO); **Dan R. Berte**, Cluj-Napoca (RO); **Bogdan C. Dumitru**, Bucuresti (RO)

(73) Assignee: **Bitdefender IPR Management Ltd.**,  
Nicosia (CY)

(\*\*) Term: **14 Years**

(21) Appl. No.: **29/494,707**

(22) Filed: **Jun. 24, 2014**

(51) **LOC (10) Cl.** ..... **14-02**

(52) **U.S. Cl.**  
USPC ..... **D14/358**

(58) **Field of Classification Search**  
USPC ..... D14/300–302, 314, 348–370, 383–385;  
D10/65, 75, 78, 104.1; D13/103, 119,  
D13/162, 184, 199  
CPC .. G11B 33/027; G11B 33/122; G11B 33/124;  
G11B 33/022; G11B 33/025  
See application file for complete search history.

(56) **References Cited**

U.S. PATENT DOCUMENTS

D417,842 S \* 12/1999 Williams ..... D9/416  
D648,270 S \* 11/2011 Jiang ..... D13/103  
D657,784 S \* 4/2012 Akana ..... D14/314  
D719,862 S \* 12/2014 Fiedler ..... D10/106.95

OTHER PUBLICATIONS

Barbu, U.S. Appl. No. 29/485,389, filed Mar. 18, 2014.  
Barbu, U.S. Appl. No. 29/485,390, filed Mar. 18, 2014.  
Barbu, U.S. Appl. No. 29/502,455, filed Sep. 16, 2014.

\* cited by examiner

*Primary Examiner* — George D Kirschbaum

(74) *Attorney, Agent, or Firm* — Law Office of Andrei D Popovici, PC

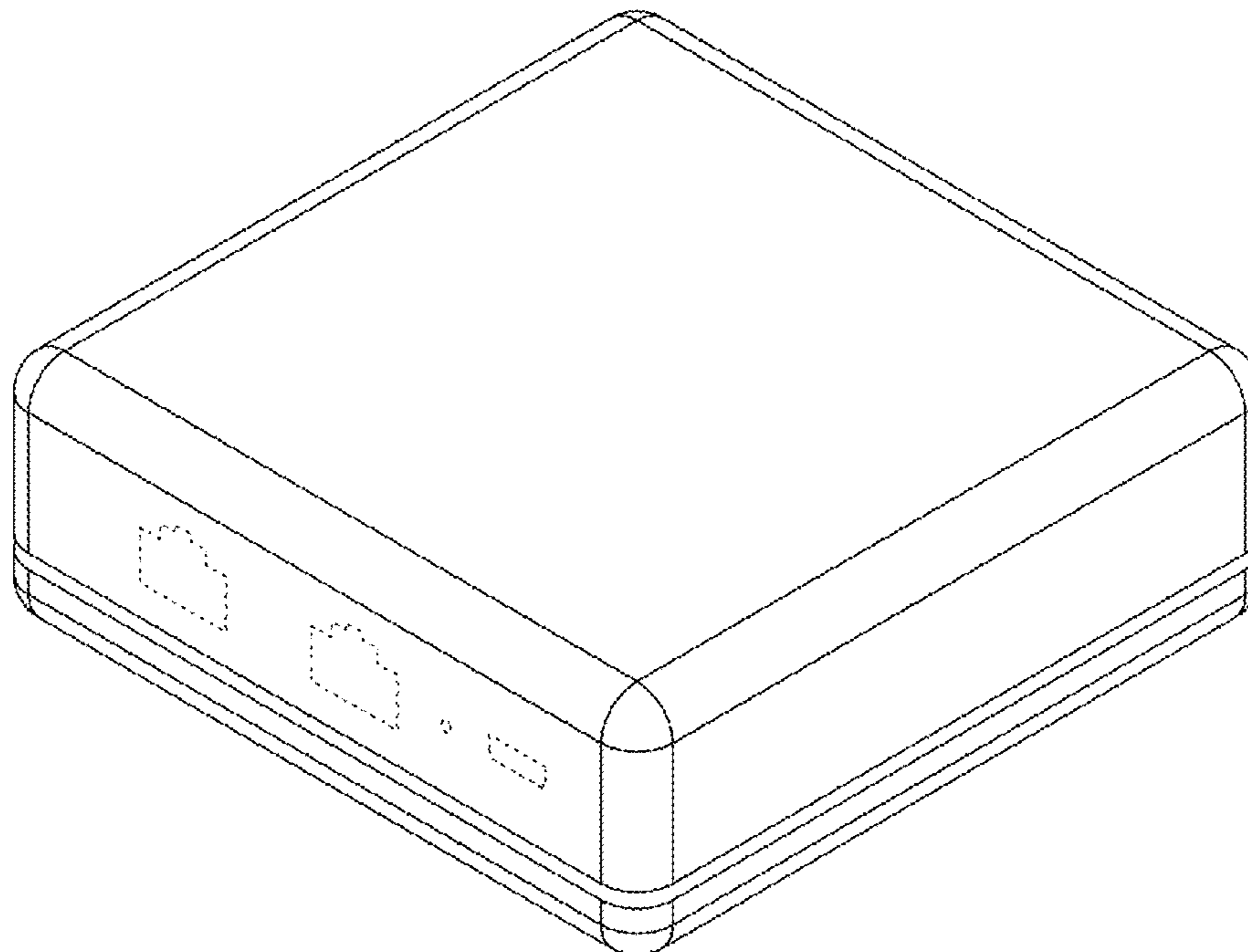
(57) **CLAIM**

What is claimed is the ornamental design for an information security appliance, as shown.

**DESCRIPTION**

FIG. 1 shows a front isometric view of an information security appliance;  
FIG. 2 shows a bottom plan view thereof;  
FIG. 3 shows a top plan view thereof;  
FIG. 4 shows a rear plan view thereof;  
FIG. 5 shows a front plan view thereof;  
FIG. 6 shows a left side plan view thereof; and,  
FIG. 7 shows a right side plan view thereof.  
In the drawings, the broken line showing of ports depicts environmental subject matter and forms no part of the claim.

**1 Claim, 7 Drawing Sheets**



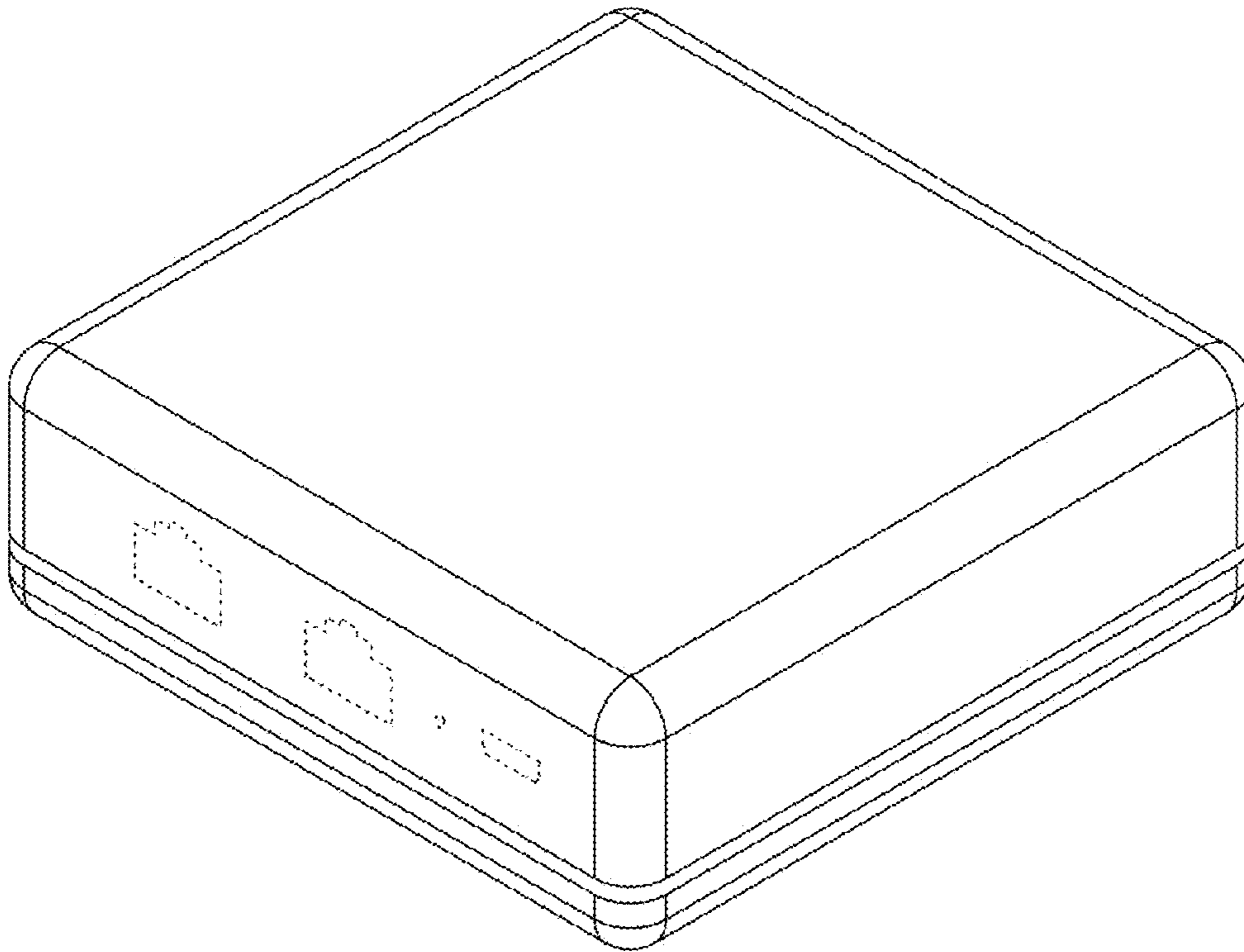


FIG. 1

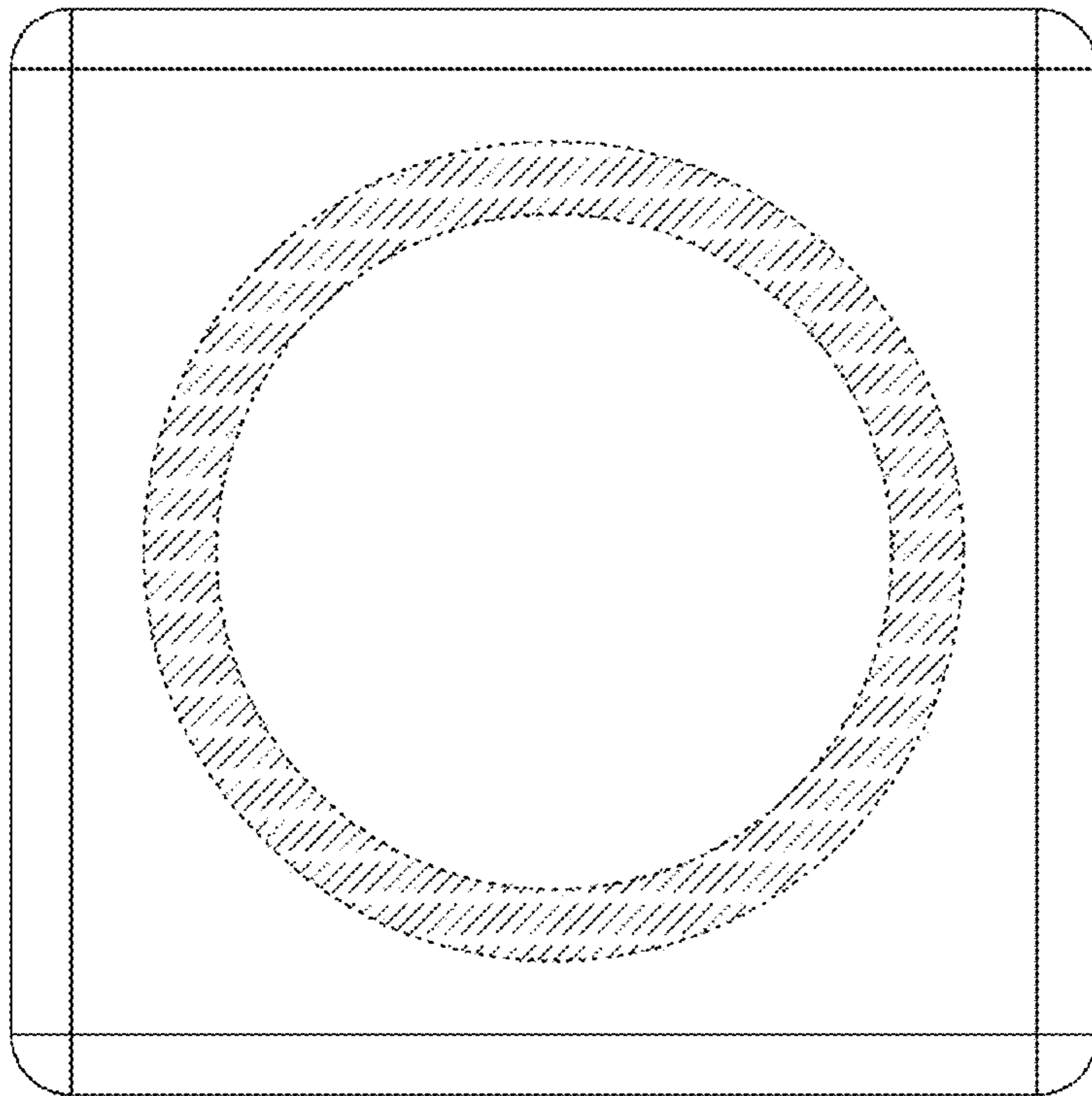


FIG. 2

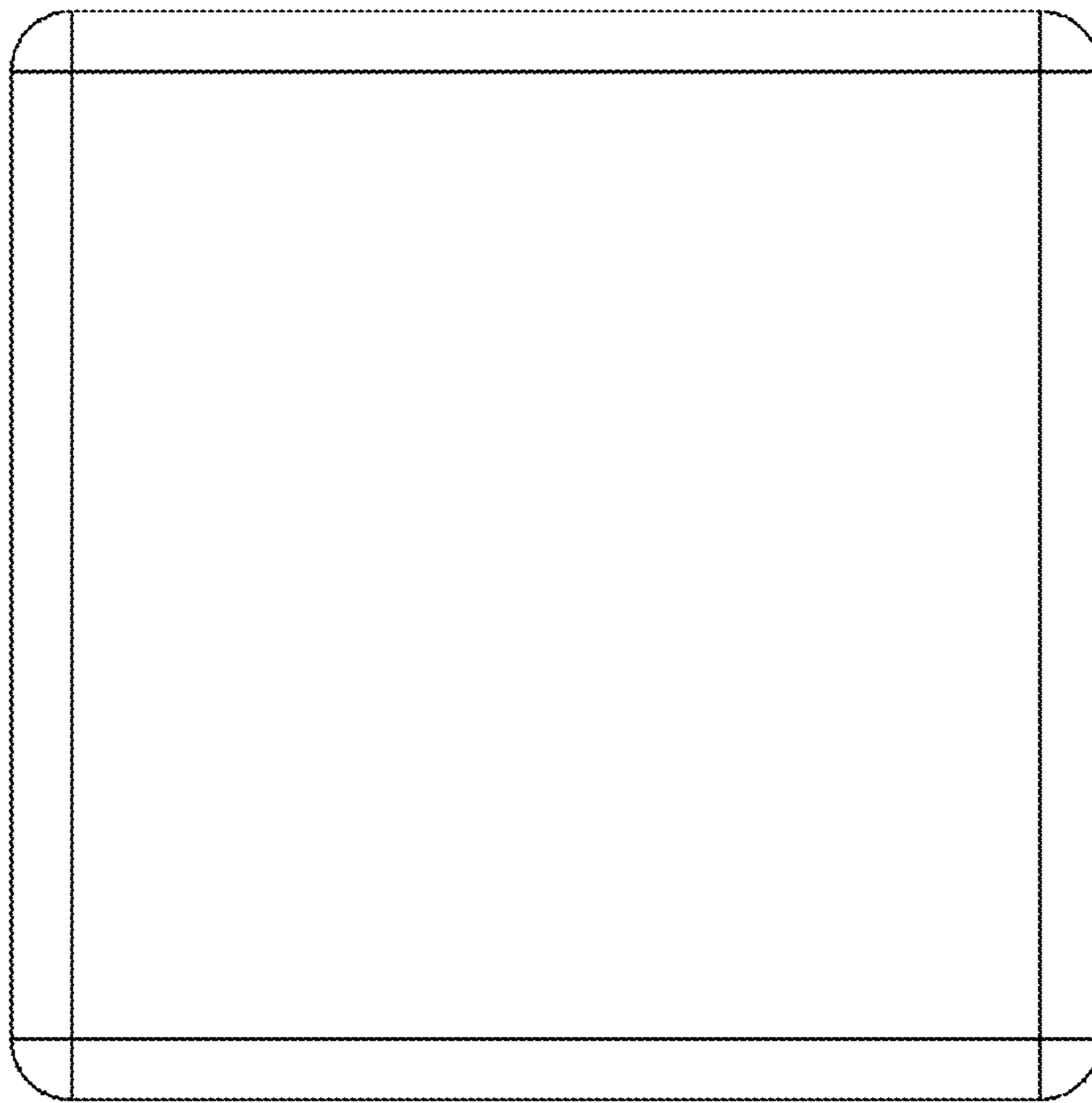


FIG. 3

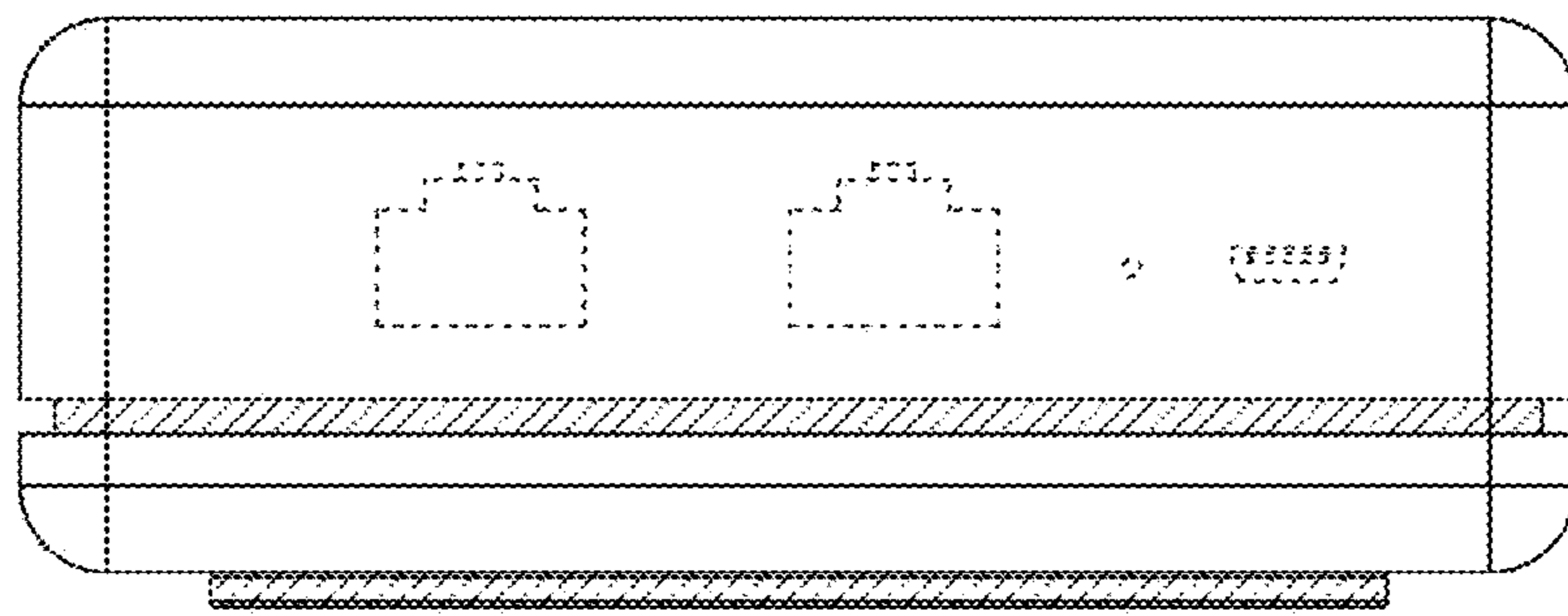


FIG. 4

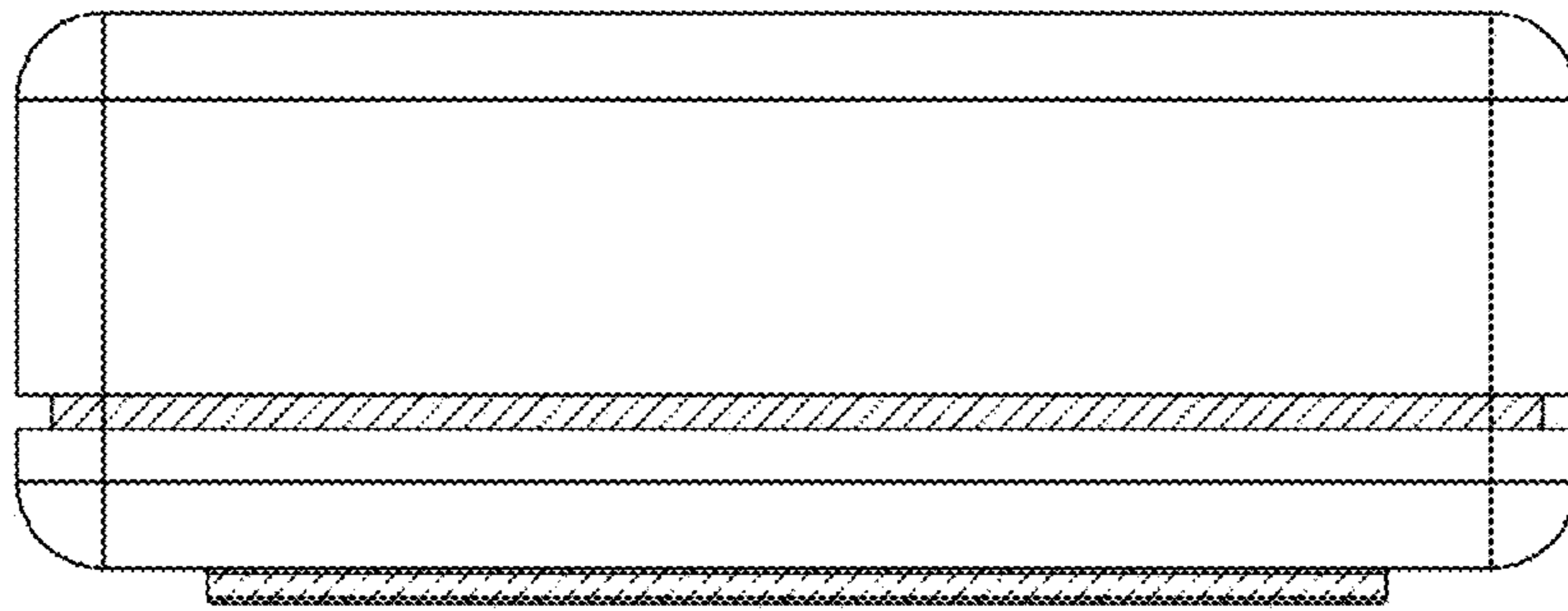


FIG. 5

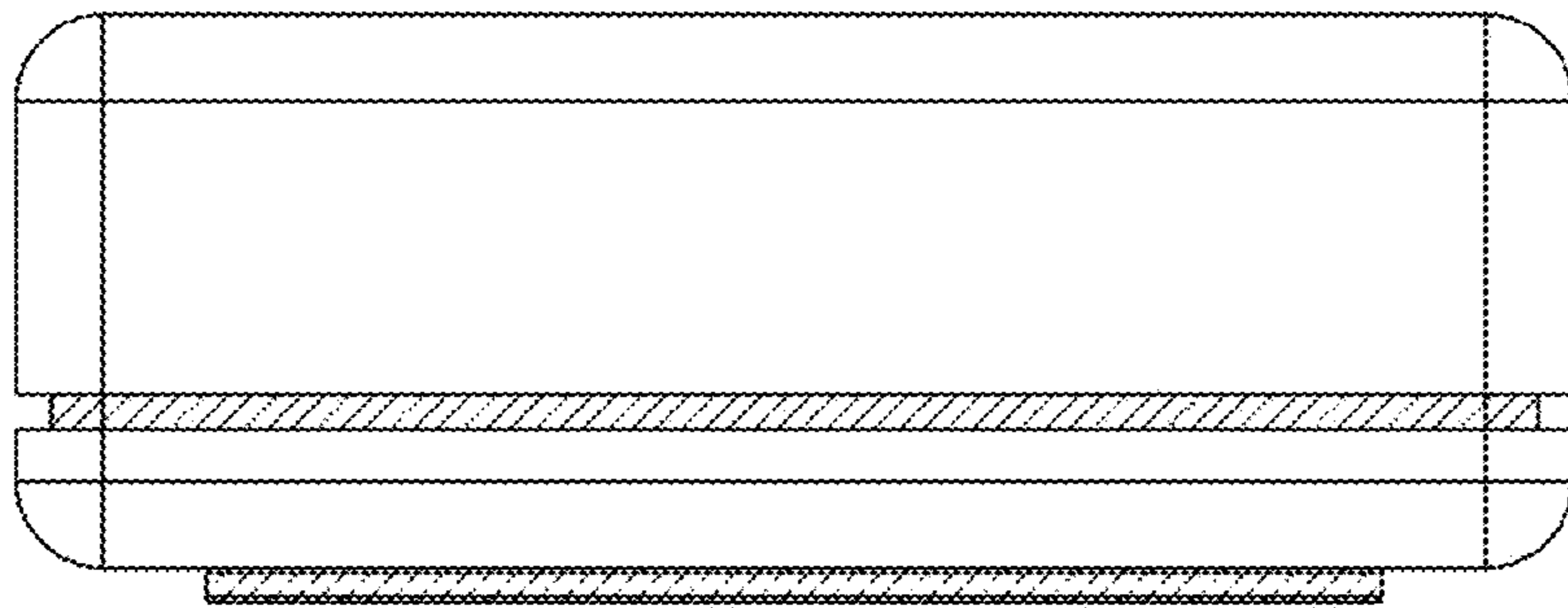


FIG. 6

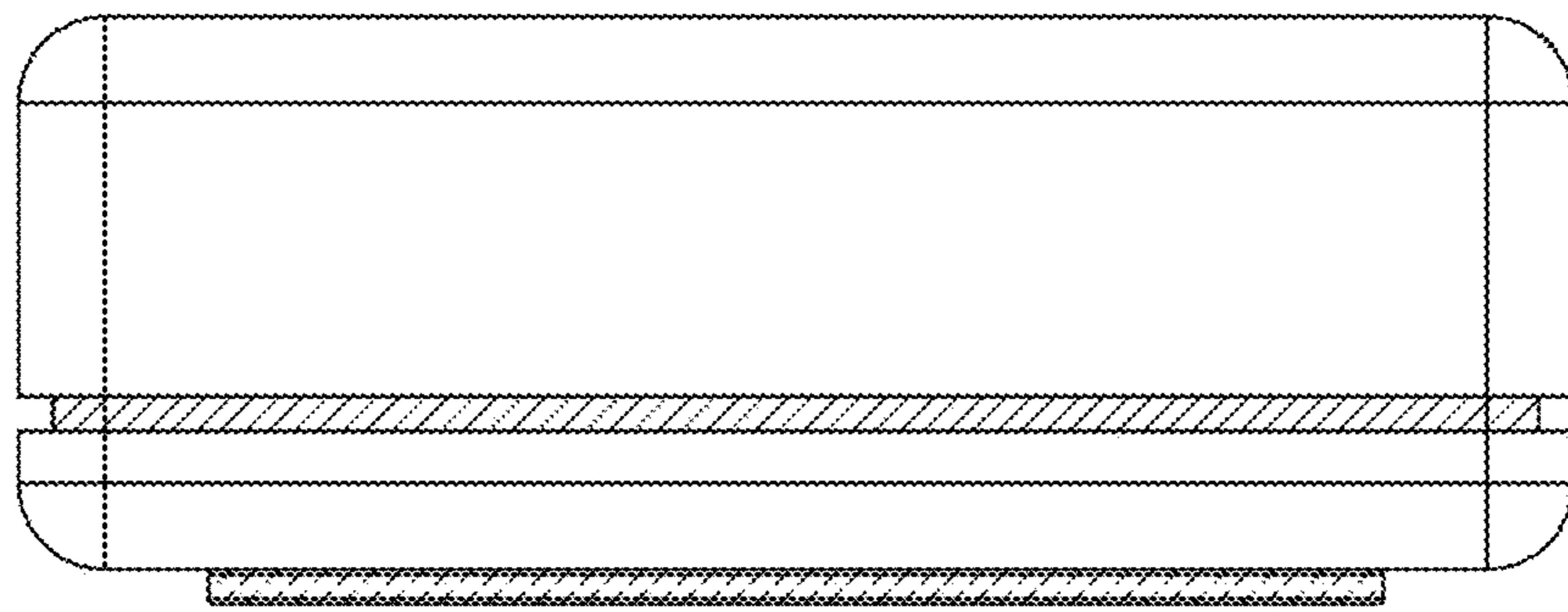


FIG. 7