

US00D764453S

(12) **United States Design Patent**
Ku et al.

(10) **Patent No.:** **US D764,453 S**
(45) **Date of Patent:** **** Aug. 23, 2016**

(54) **CASING FOR ELECTRONIC DEVICE**

(71) Applicant: **ASUSTeK COMPUTER INC.**, Taipei (TW)

(72) Inventors: **Chin-Rang Ku**, Taipei (TW); **Ming-Chih Huang**, Taipei (TW); **Tang-Lung Lo**, Taipei (TW); **Yi-Ting Chen**, Taipei (TW); **Tsui-Wei Lin**, Taipei (TW)

(73) Assignee: **ASUSTeK COMPUTER INC.**, Taipei (TW)

(**) Term: **14 Years**

(21) Appl. No.: **29/523,561**

(22) Filed: **Apr. 10, 2015**

(51) **LOC (10) Cl.** **14-02**

(52) **U.S. Cl.**
USPC **D14/315**

(58) **Field of Classification Search**

USPC D14/315-327; D18/1, 2, 7, 11; 235/145 A, 145 R; 341/22, 23; 345/104, 345/156, 168, 169, 173; 361/679.08, 361/679.09, 679.11, 679.26, 679.27
CPC G06F 1/16; G06F 1/1616; G06F 1/1626; G06F 1/1632; G06F 1/1613; G06F 1/1601; G06F 1/1618; G06F 1/162; G06F 1/166; G06F 1/1654; G06F 1/1681; G06F 1/1637; G06F 1/1688; H01R 35/02; H03M 11/00; G09B 13/04; H03K 17/94; G09G 5/00; F16M 11/10; H05K 5/00; H04M 1/0237
See application file for complete search history.

(56) **References Cited**

U.S. PATENT DOCUMENTS

D626,548 S *	11/2010	Kim	D14/327
D650,378 S *	12/2011	Lee	D14/315
D651,599 S *	1/2012	Kim	D14/315
D687,430 S *	8/2013	Park	D14/315
D714,284 S *	9/2014	Lin	D14/315
2011/0162987 A1 *	7/2011	Bekele	G06F 1/1616 206/320

FOREIGN PATENT DOCUMENTS

JP	1456957 S	12/2012
TW	D163511 S	10/2014

OTHER PUBLICATIONS

<http://www.asus.com/Notebooks/ASUS-ZenBook-UX303LN/gallery/>, Oct. 22, 2014, pp. 1-2.

* cited by examiner

Primary Examiner — Freda S Nunn

(74) *Attorney, Agent, or Firm* — Muncy, Geissler, Olds & Lowe, P.C.

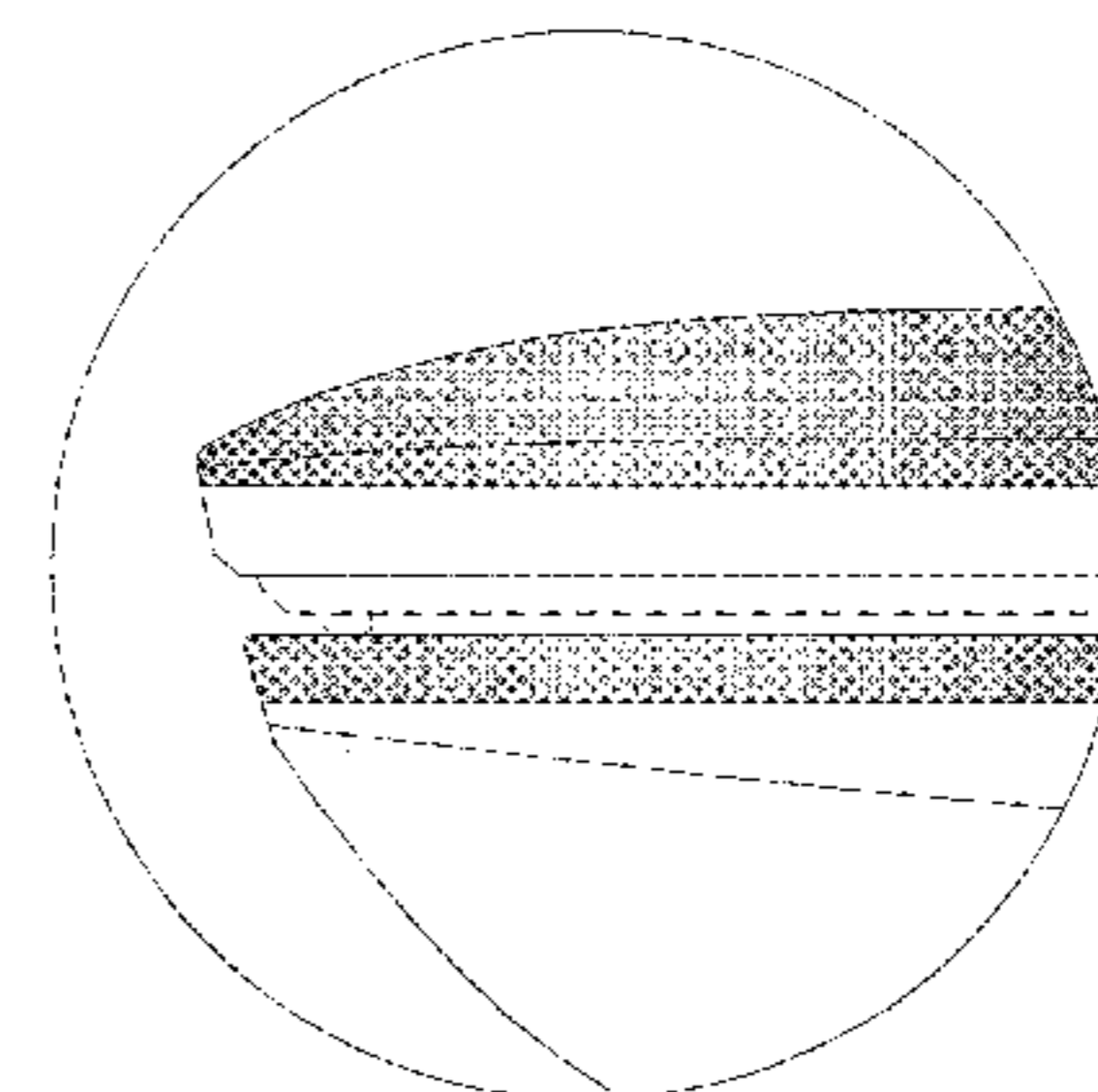
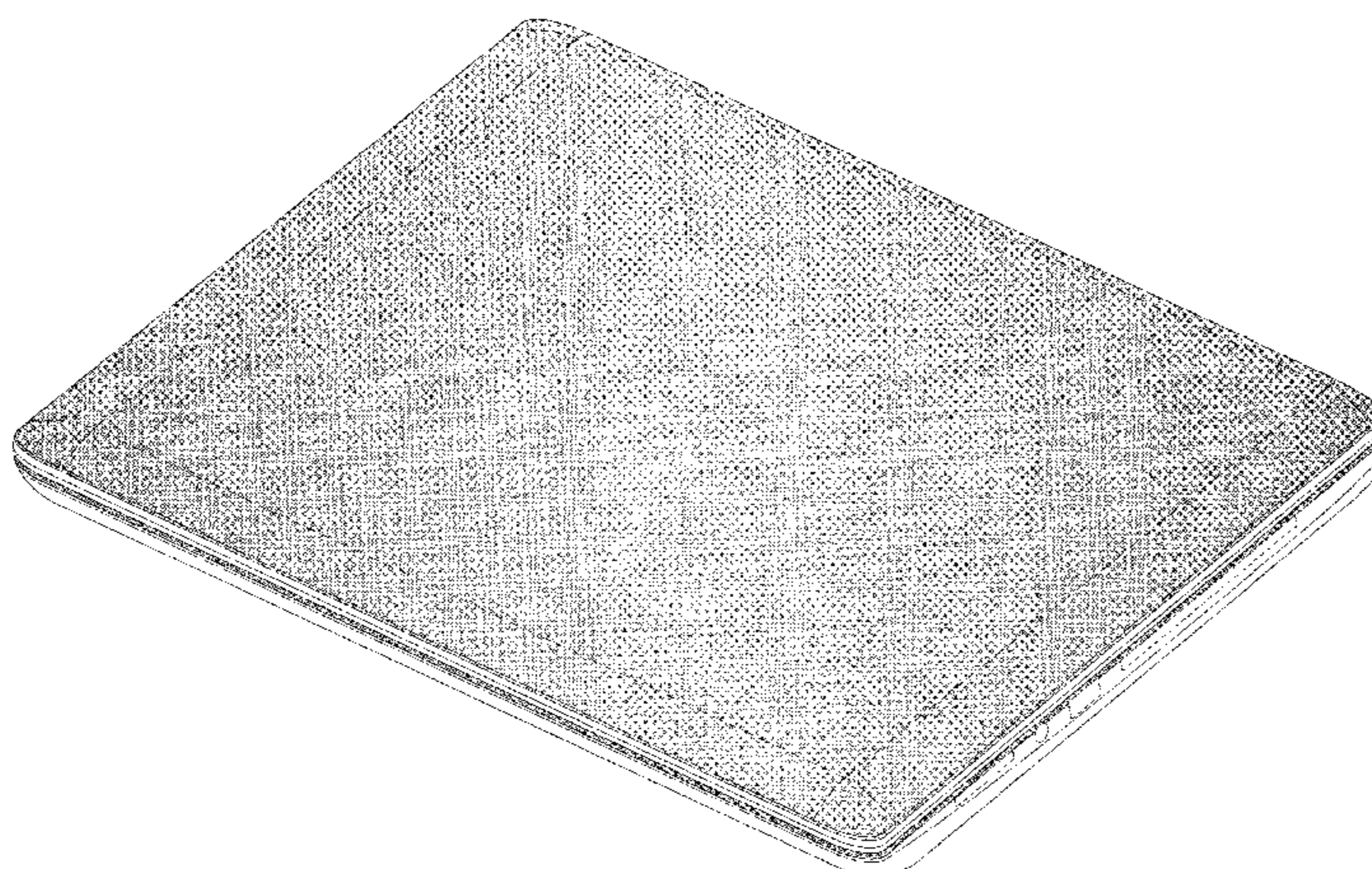
(57) **CLAIM**

The ornamental design for a casing for electronic device, as shown and described.

DESCRIPTION

FIG. 1 is a perspective view of the casing for electronic device;
FIG. 2 is a front elevational view of the embodiment of the design;
FIG. 3 is a rear elevational view of the embodiment of the design;
FIG. 4 is a left side elevational view of the embodiment of the design;
FIG. 5 is a right side elevational view of the embodiment of the design;
FIG. 6 is a top plan view of the embodiment of the design;
FIG. 7 is a bottom plan view of the embodiment of the design;
FIG. 8 is another top plan view of the embodiment of the design shown in the open position; and,
FIG. 9 is an enlarged fragmented view of the embodiment of the design as indicated in FIG. 5.
The broken lines are included in the drawings to show unclaimed subject matter only and form no part of the claimed design.

1 Claim, 7 Drawing Sheets



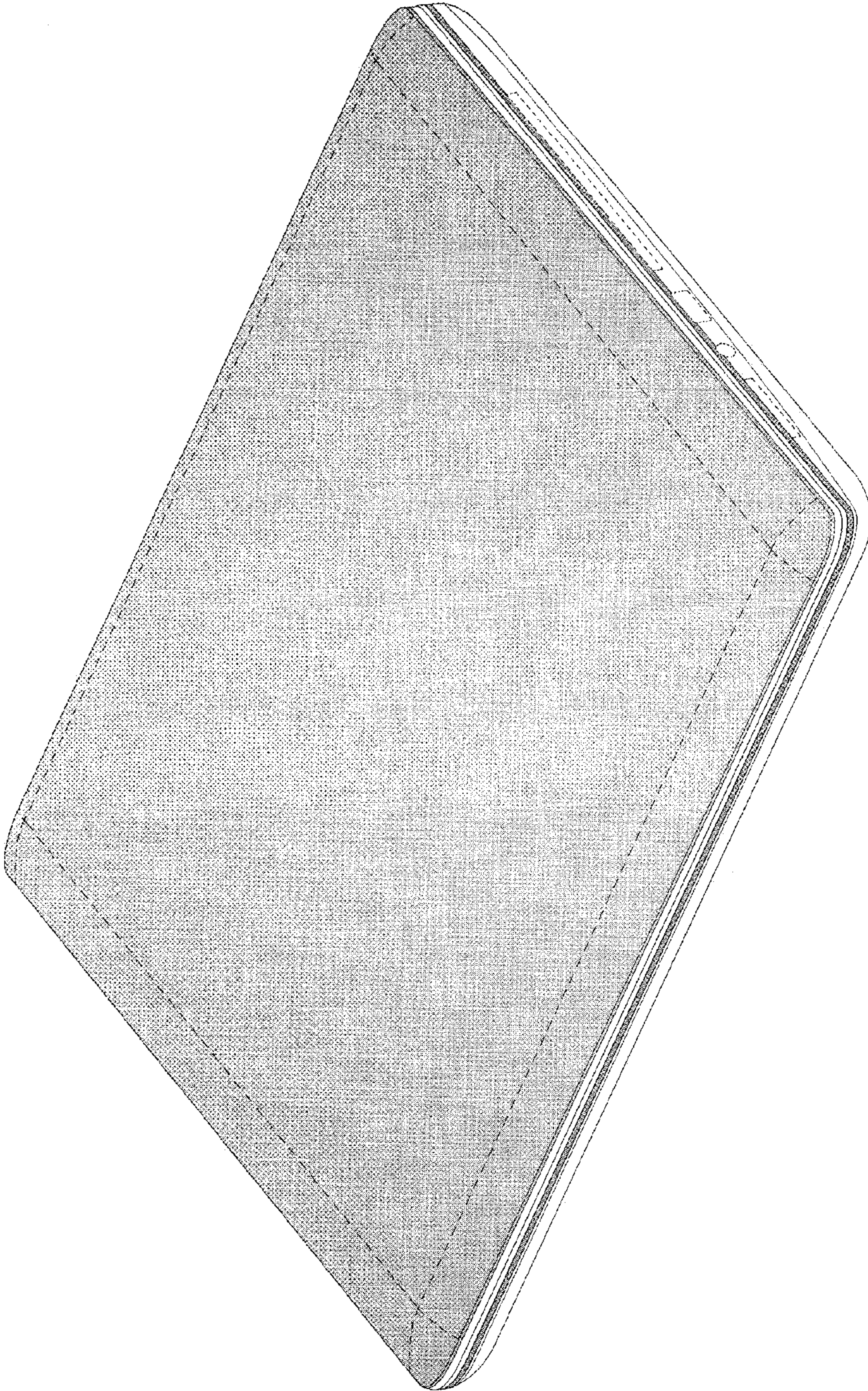


FIG.1

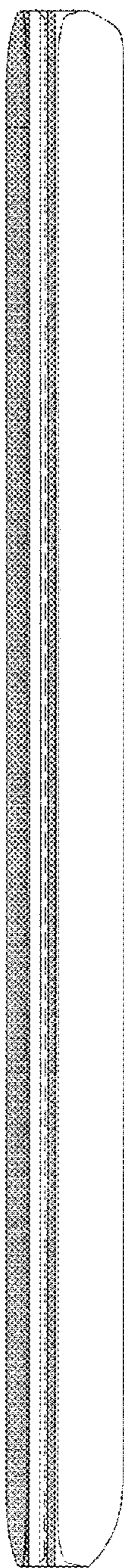


FIG. 2

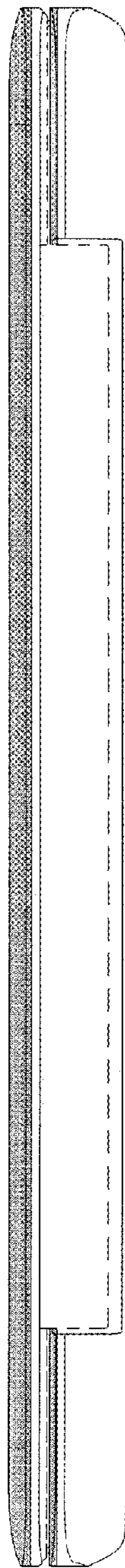


FIG. 3

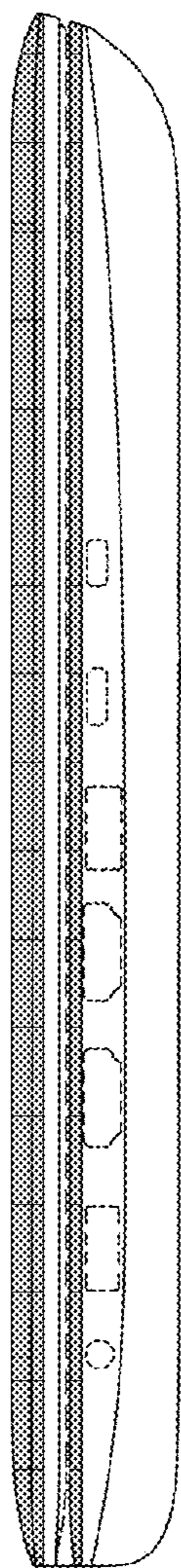


FIG. 4

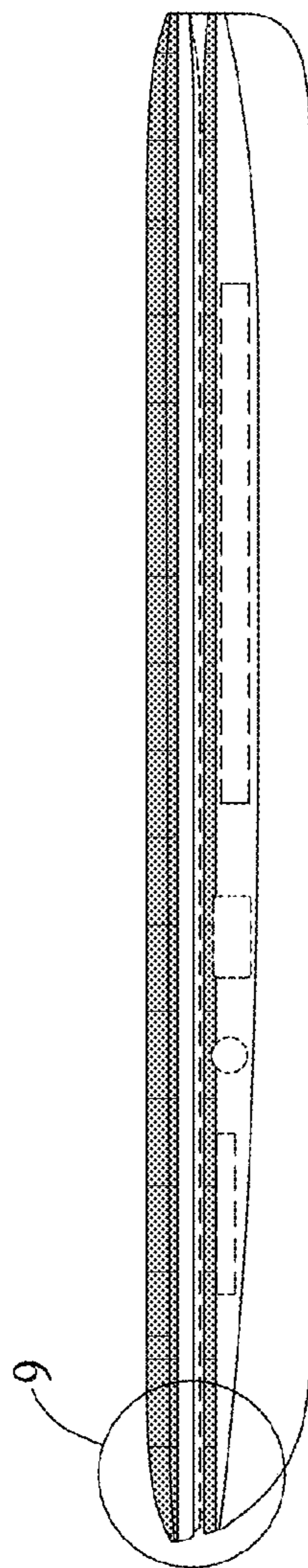


FIG. 5

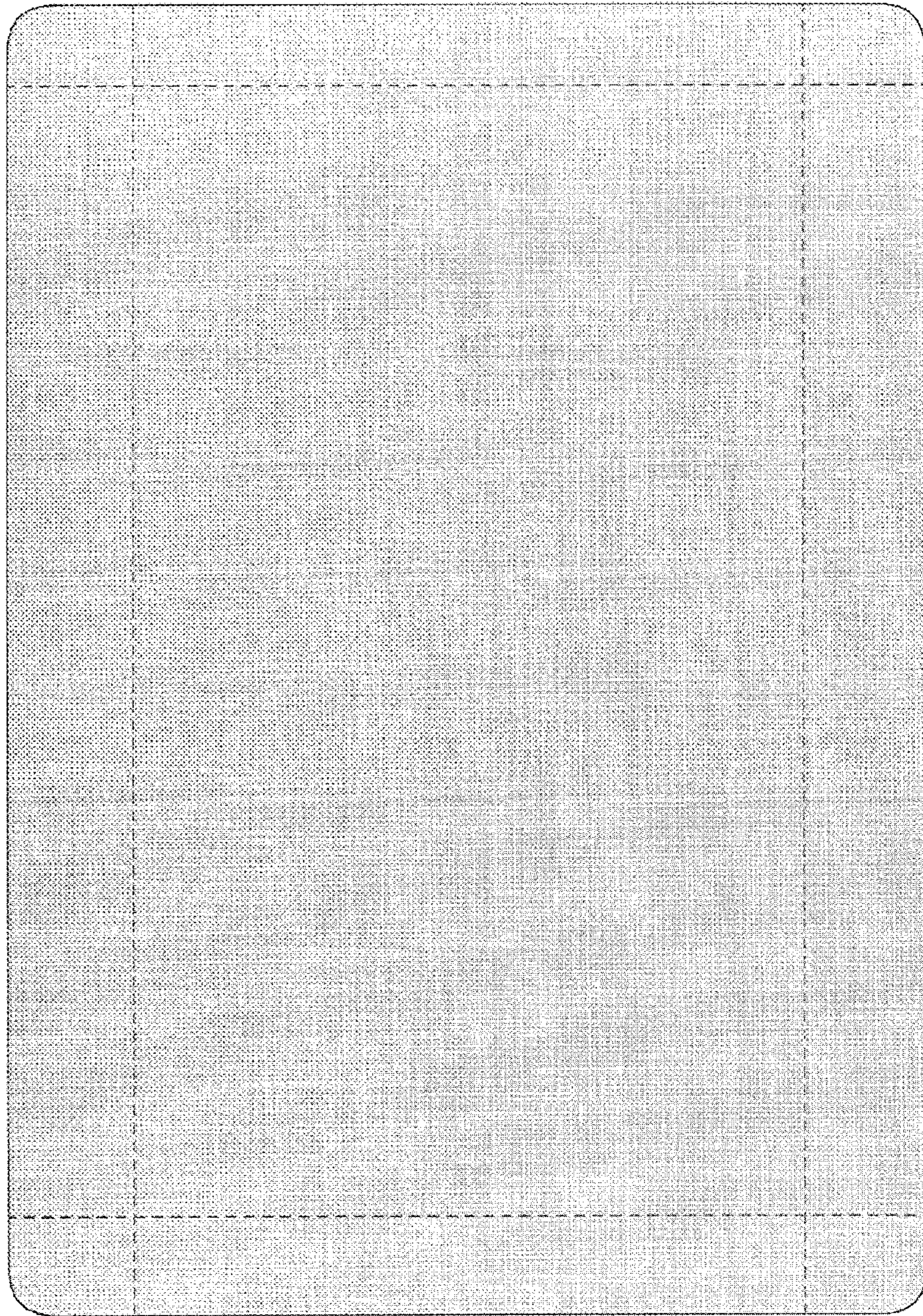


FIG.6

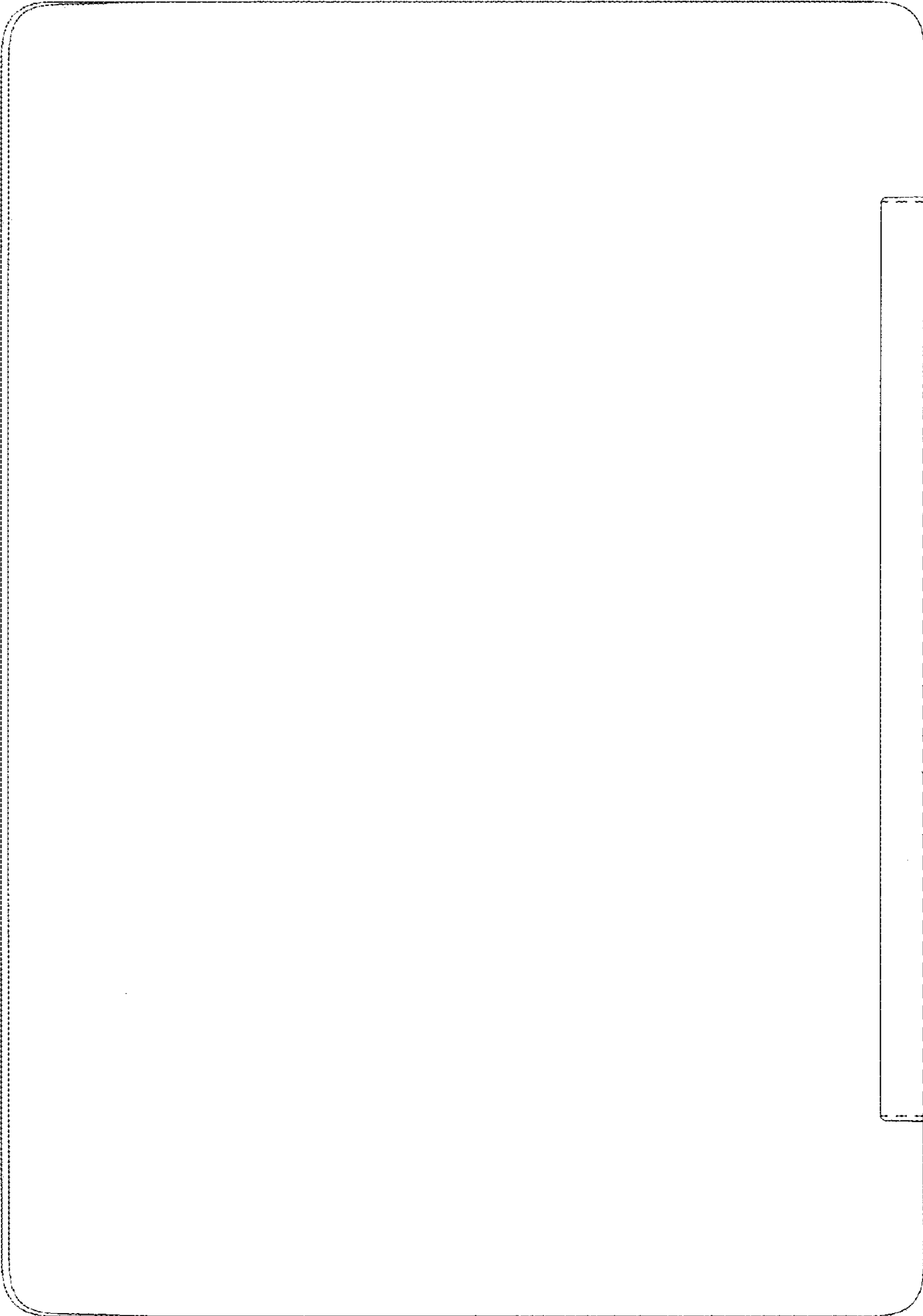


FIG.7

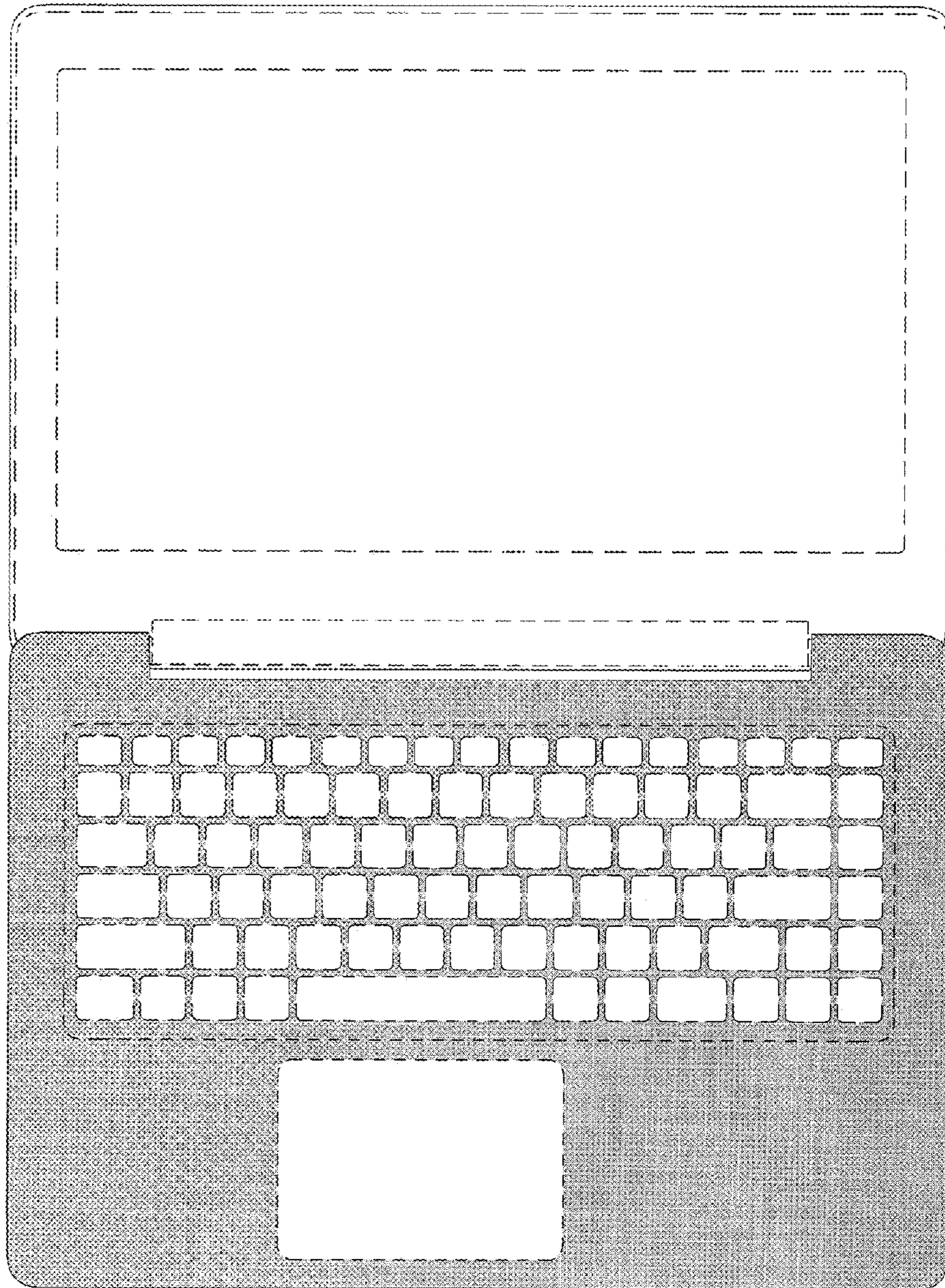


FIG. 8

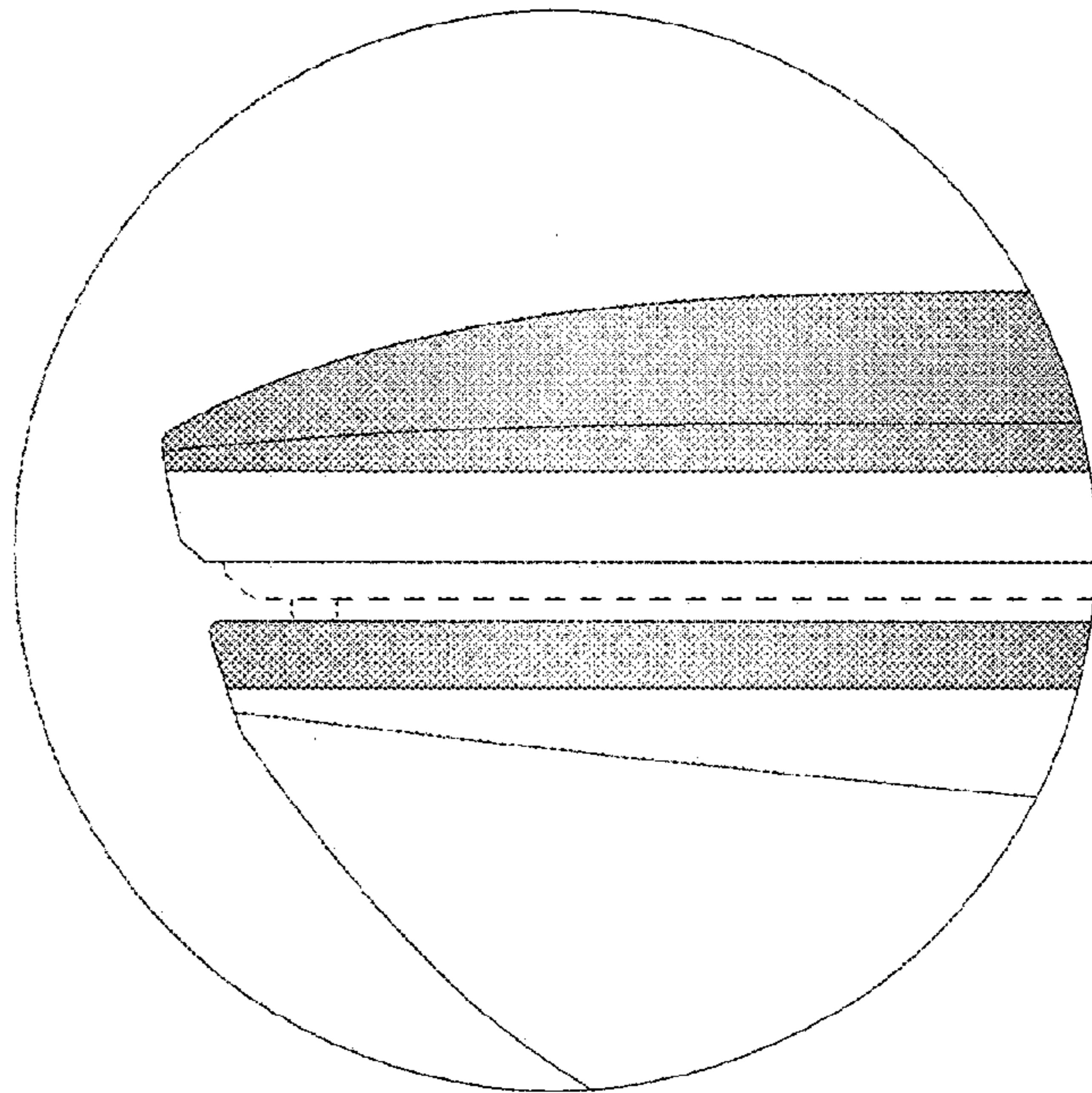


FIG.9