



US00D764452S

(12) **United States Design Patent**
Erdl

(10) **Patent No.:** **US D764,452 S**

(45) **Date of Patent:** **** Aug. 23, 2016**

(54) **HOUSING FOR ELECTRIC AND ELECTRONIC COMPONENTS**

(71) Applicant: **Puls GmbH**, Munich (DE)

(72) Inventor: **Bernhard Erdl**, Munich (DE)

(73) Assignee: **Puls GmbH**, Munich (DE)

(**) Term: **14 Years**

(21) Appl. No.: **29/498,364**

(22) Filed: **Aug. 1, 2014**

(30) **Foreign Application Priority Data**

Feb. 3, 2014 (DE) 002397422-0001

Feb. 3, 2014 (DE) 002397422-0002

(51) **LOC (10) Cl.** **14-02**

(52) **U.S. Cl.**
USPC **D14/308**

(58) **Field of Classification Search**

USPC D14/240, 300, 301, 308, 313, 314,
D14/348-356, 364-368, 441-446;
D13/162, 184, 199; 312/223.1-223.3,
312/351.11; 360/99.01-99.12;
369/34.01-36.01; 361/679.31-679.33,
361/679.37, 679.39, 679.46, 679.53, 679.4,
361/679.41, 727

CPC G06F 1/20; G06F 1/181; G06F 1/187;
H05K 7/16; H05K 7/1424; H05H 7/20

See application file for complete search history.

(56) **References Cited**

U.S. PATENT DOCUMENTS

D317,301 S * 6/1991 Ivester D14/349
D375,944 S * 11/1996 Franz D14/349

D422,269 S * 4/2000 Wong D14/349
D555,157 S * 11/2007 Tosh D14/301
D585,447 S * 1/2009 Chen D14/349
D614,619 S * 4/2010 Haase D14/349
D707,225 S * 6/2014 Shin D14/349

* cited by examiner

Primary Examiner — Freda S Nunn

(74) *Attorney, Agent, or Firm* — LaRiviere, Grubman PC

(57) **CLAIM**

The ornamental design for a housing for electric and electronic components, as shown and described.

DESCRIPTION

FIG. 1 is a front, top and left side perspective view of a housing for electric and electronic components showing our new design, the rear view being identical to that shown in FIG. 11;

FIG. 2 is a front view thereof;

FIG. 3 is a right side view thereof;

FIG. 4 is a left side view thereof;

FIG. 5 is a top view thereof;

FIG. 6 is a bottom view thereof;

FIG. 7 is a front, bottom and left side perspective view thereof;

FIG. 8 is a front, top and left side perspective view of a second embodiment thereof which is a mirror image of the housing shown in FIGS. 1-7;

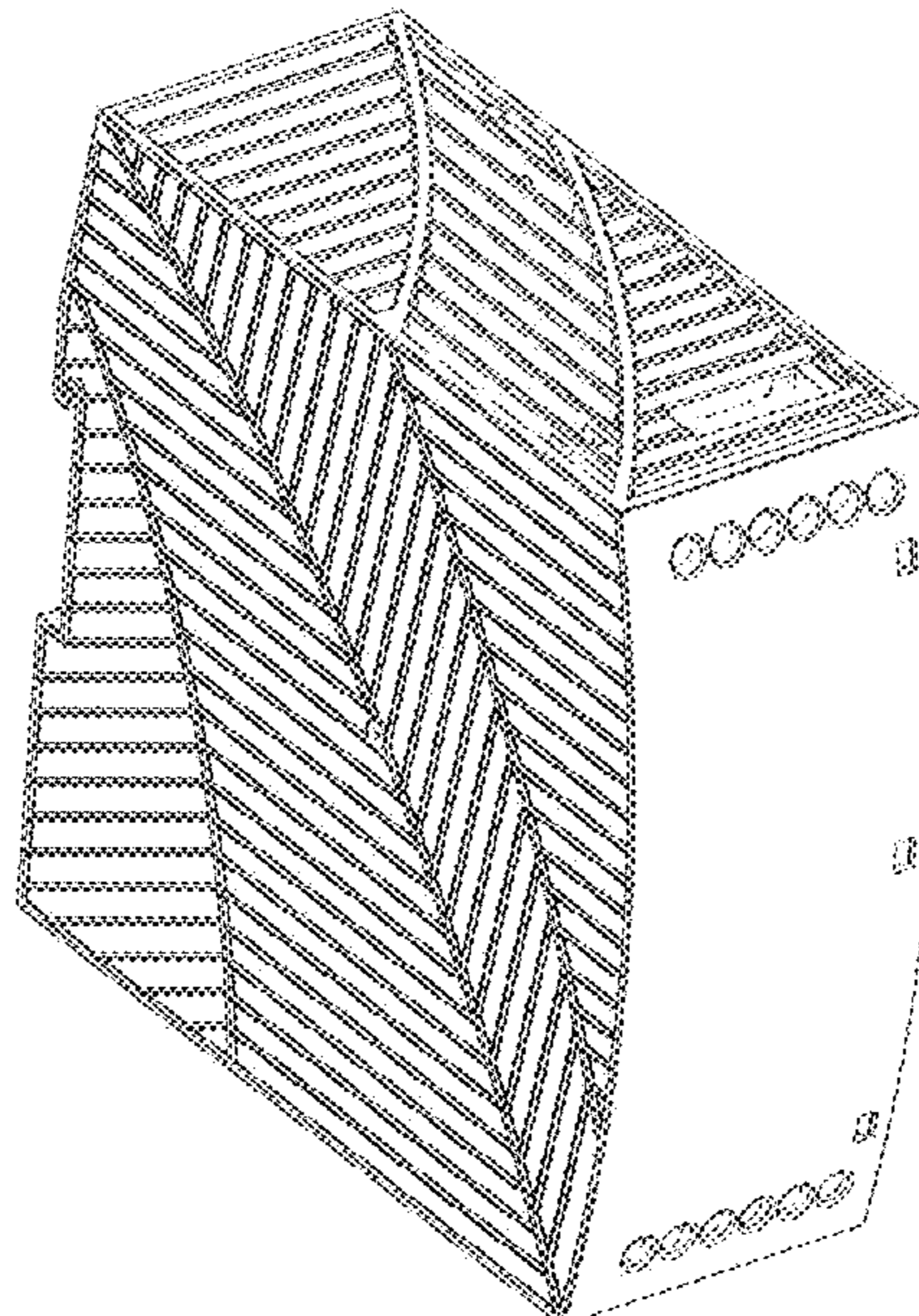
FIG. 9 is a front, bottom and left side perspective view thereof as shown in FIG. 7;

FIG. 10 is a front perspective view thereof, which is a mirror image of the housing shown in FIGS. 1-9; and,

FIG. 11 is a rear view thereof.

The broken lines shown in the drawings are for environment only and form no part of the claimed design.

1 Claim, 11 Drawing Sheets



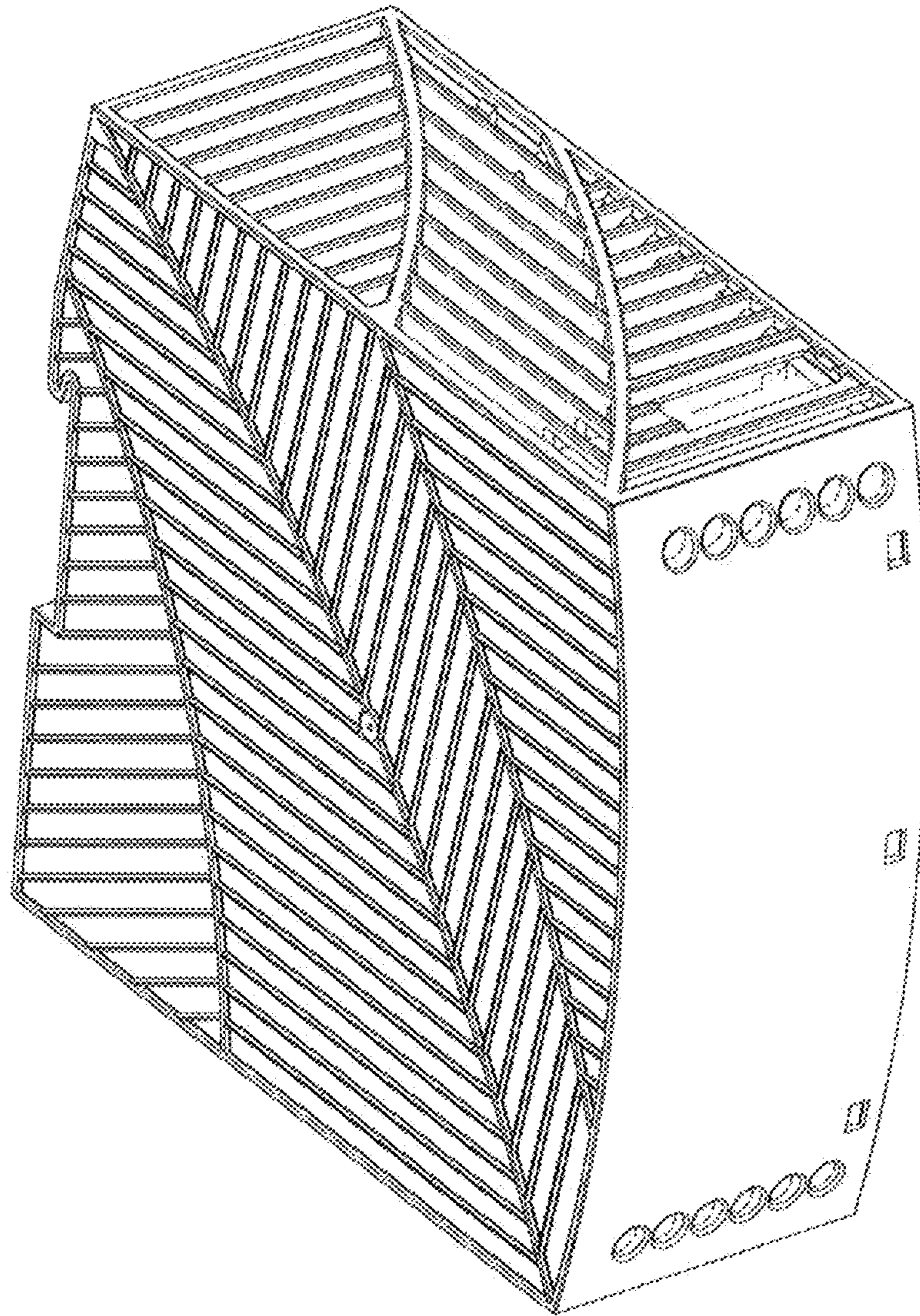


FIG. 1

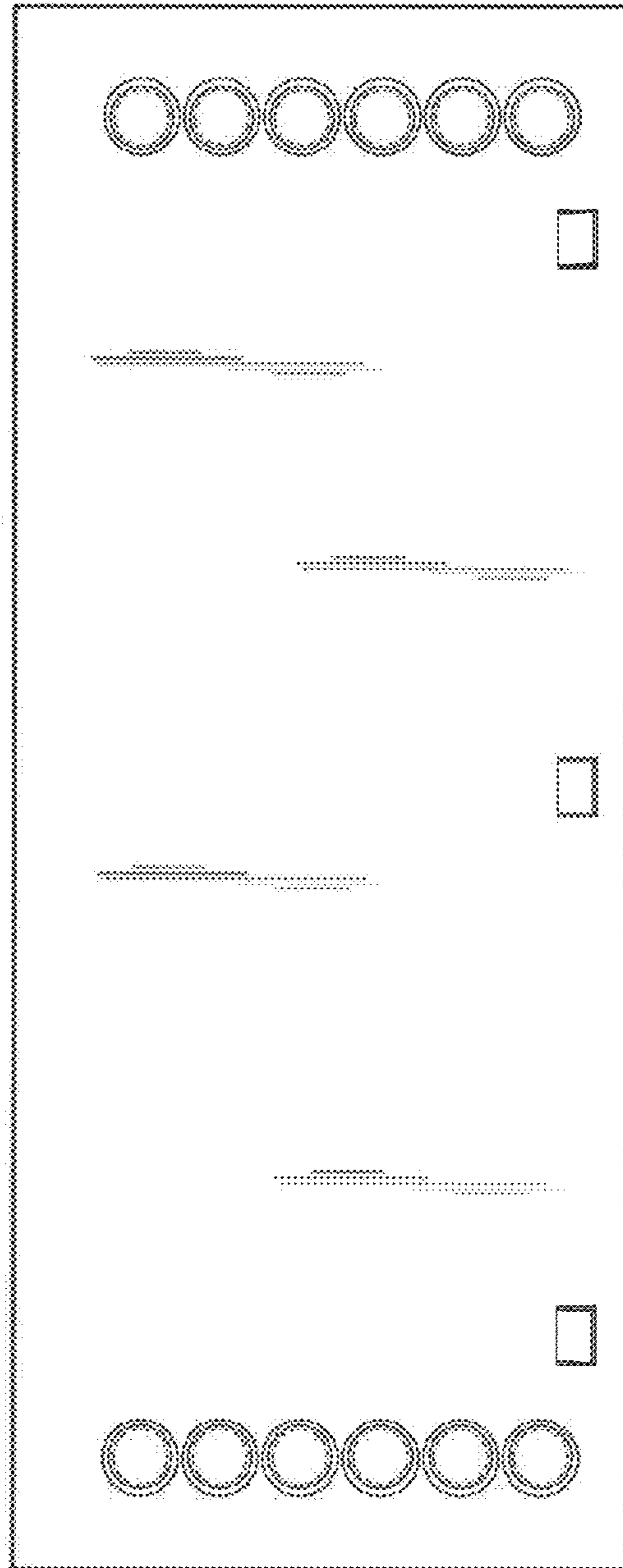


FIG. 2

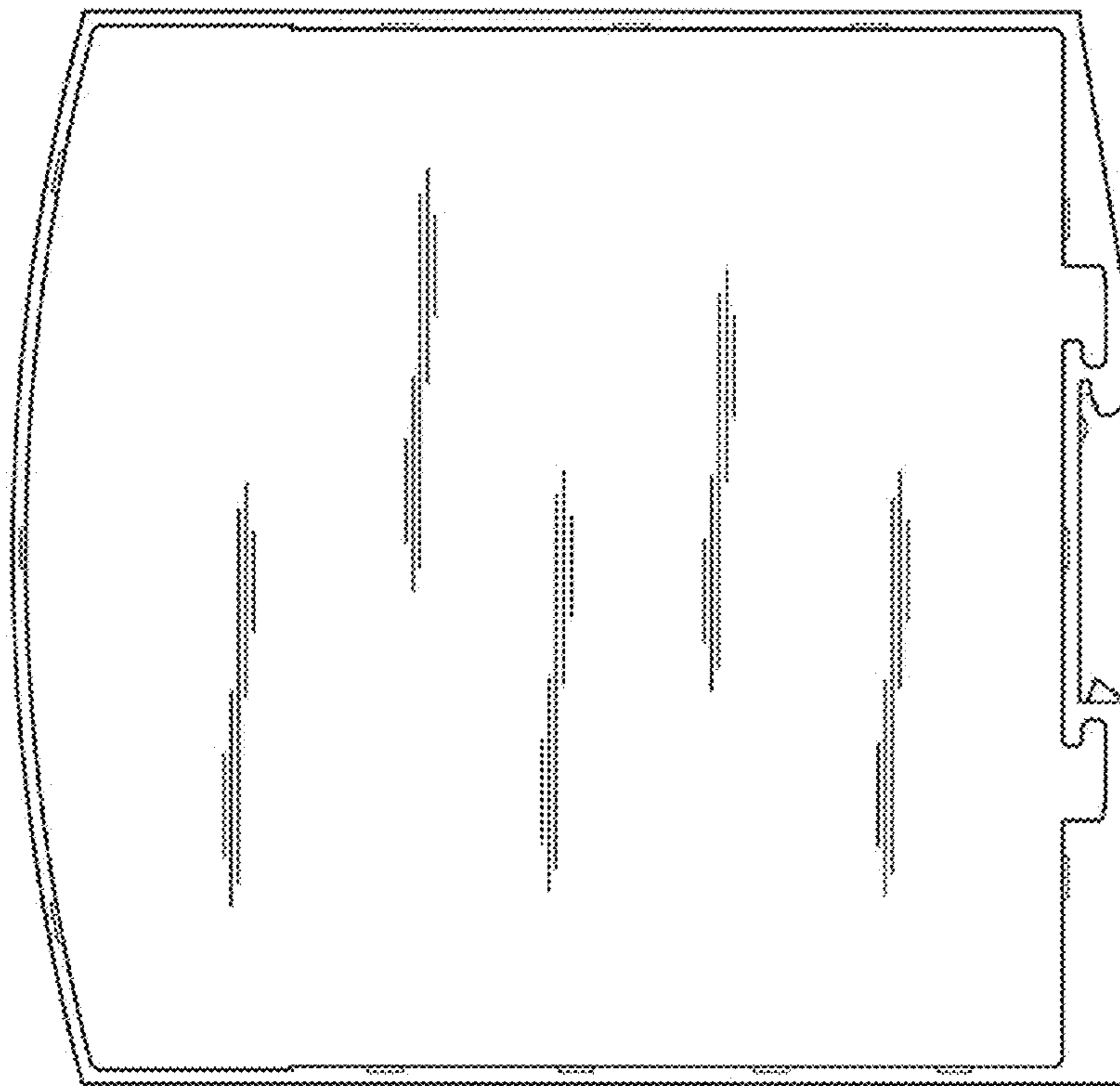


FIG. 3

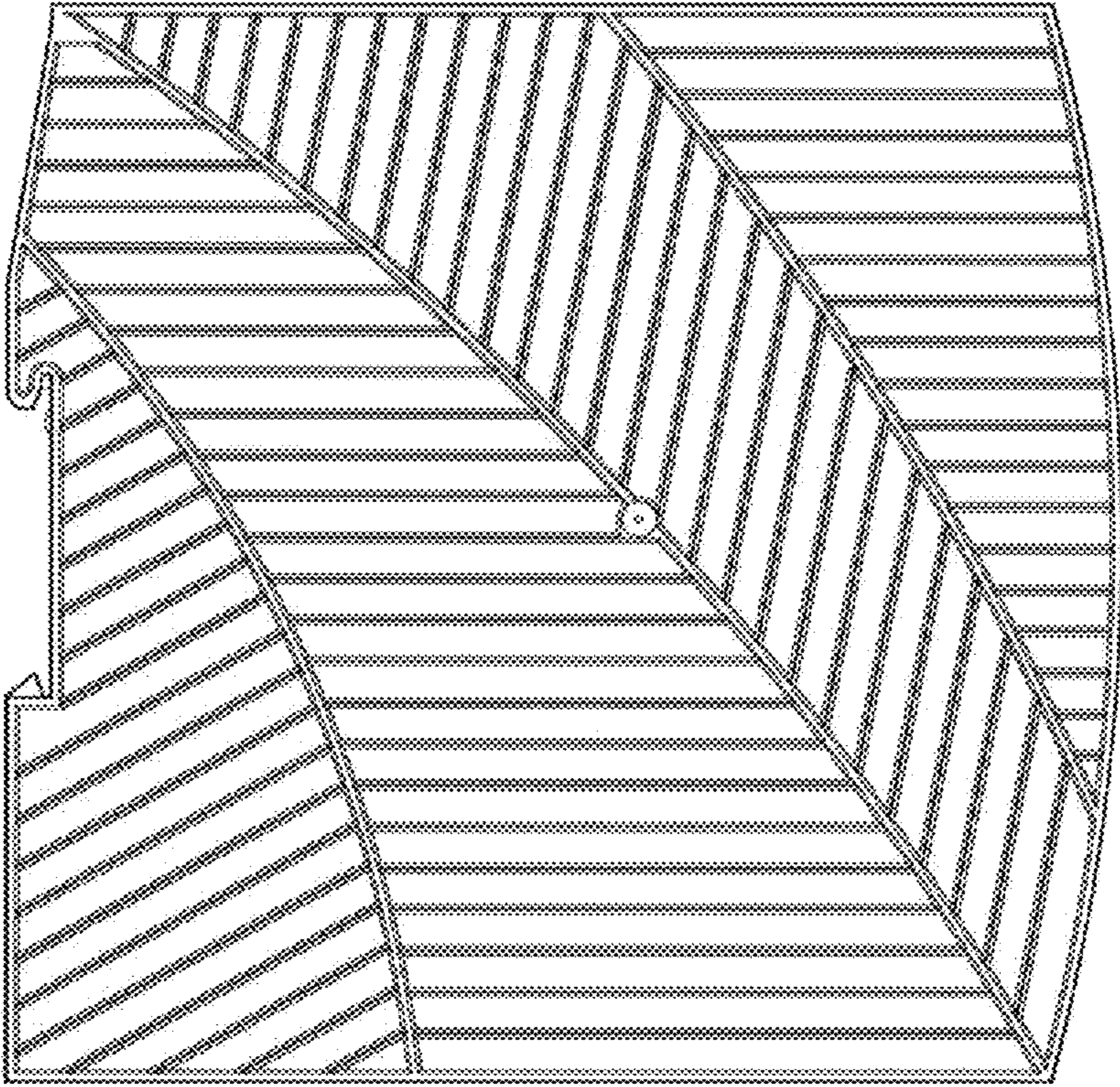


FIG. 4

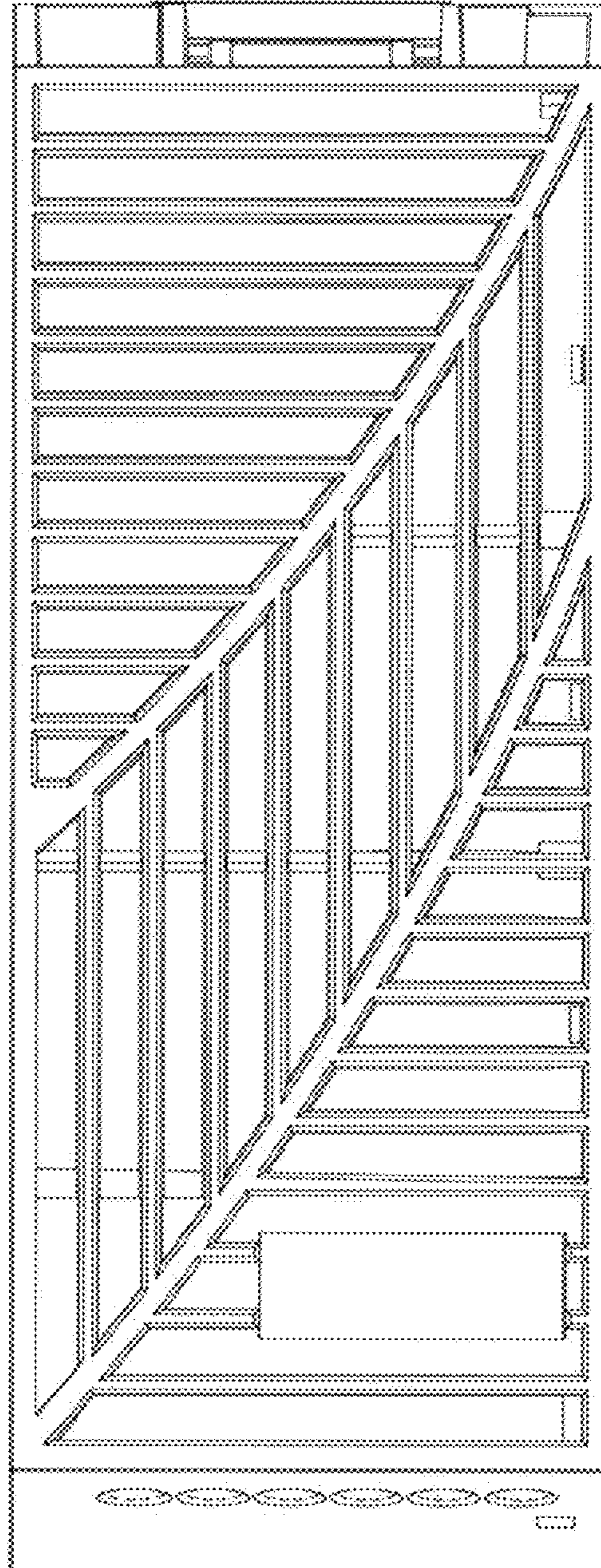


FIG. 5

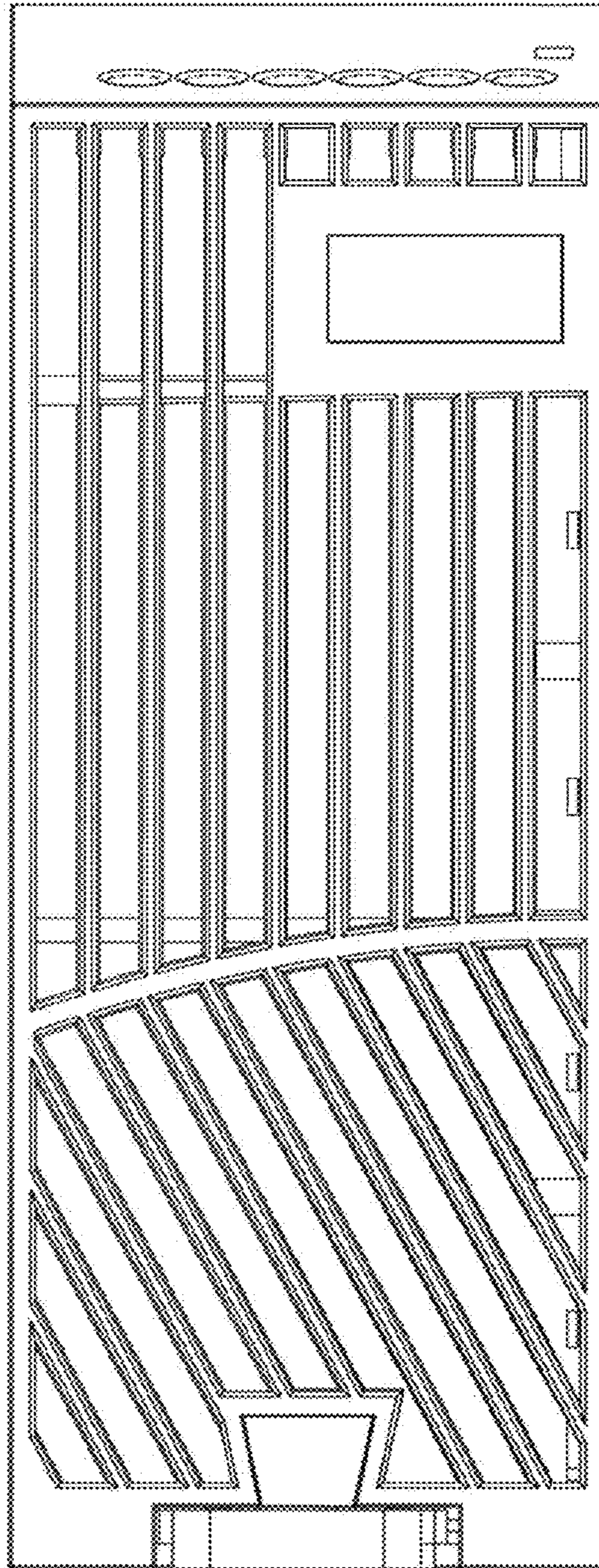


FIG. 6

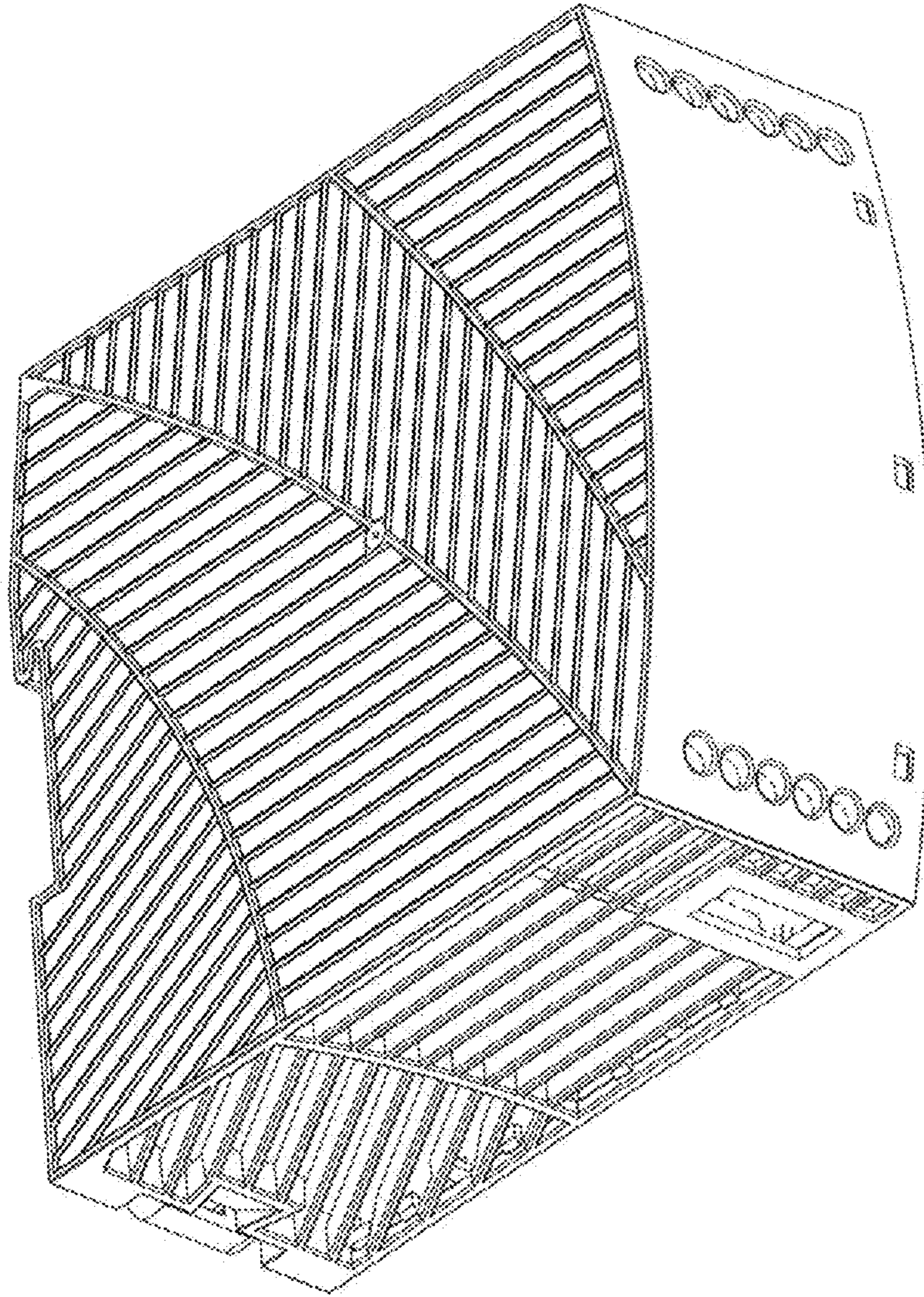


FIG. 7

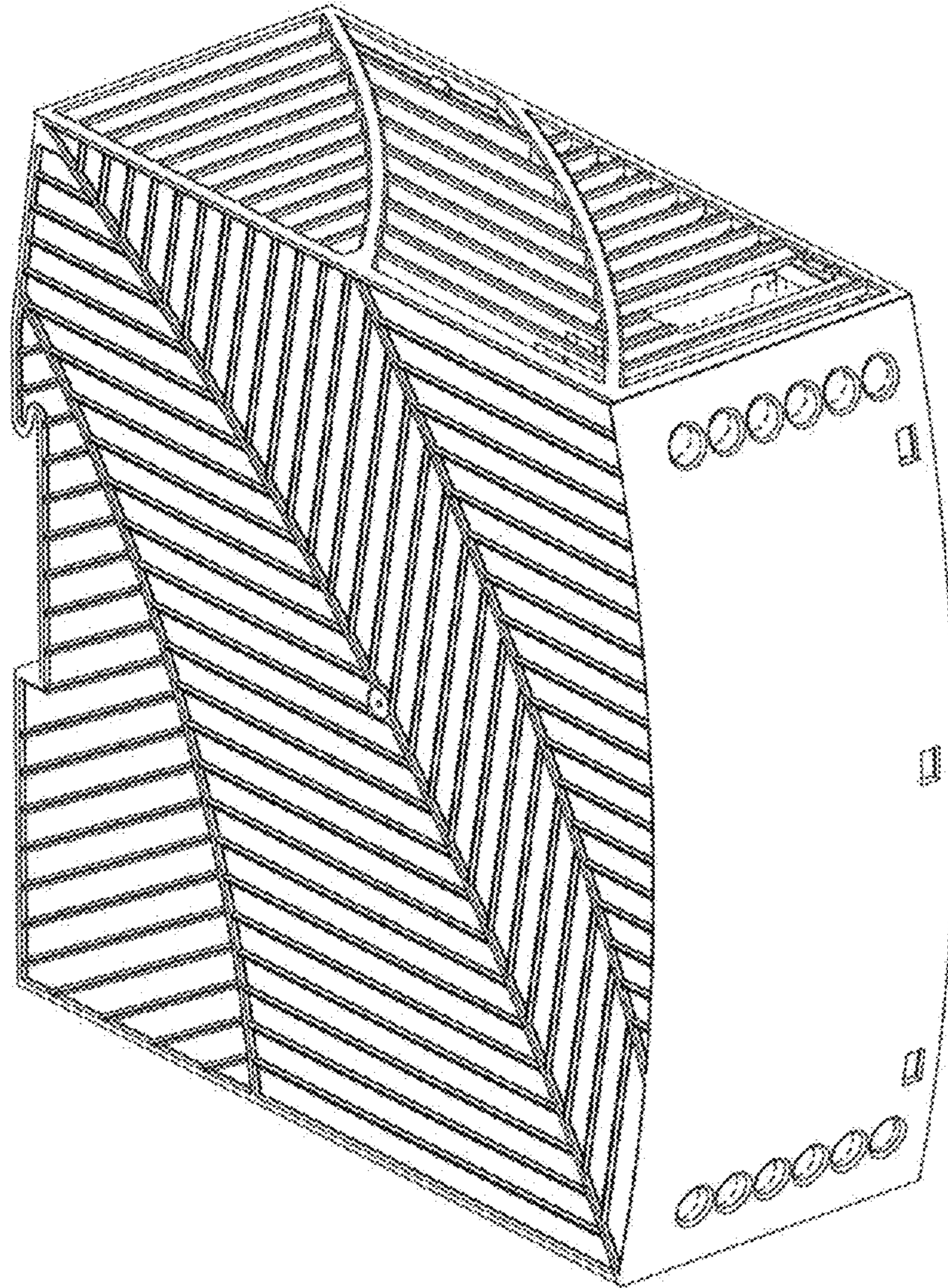


FIG. 8

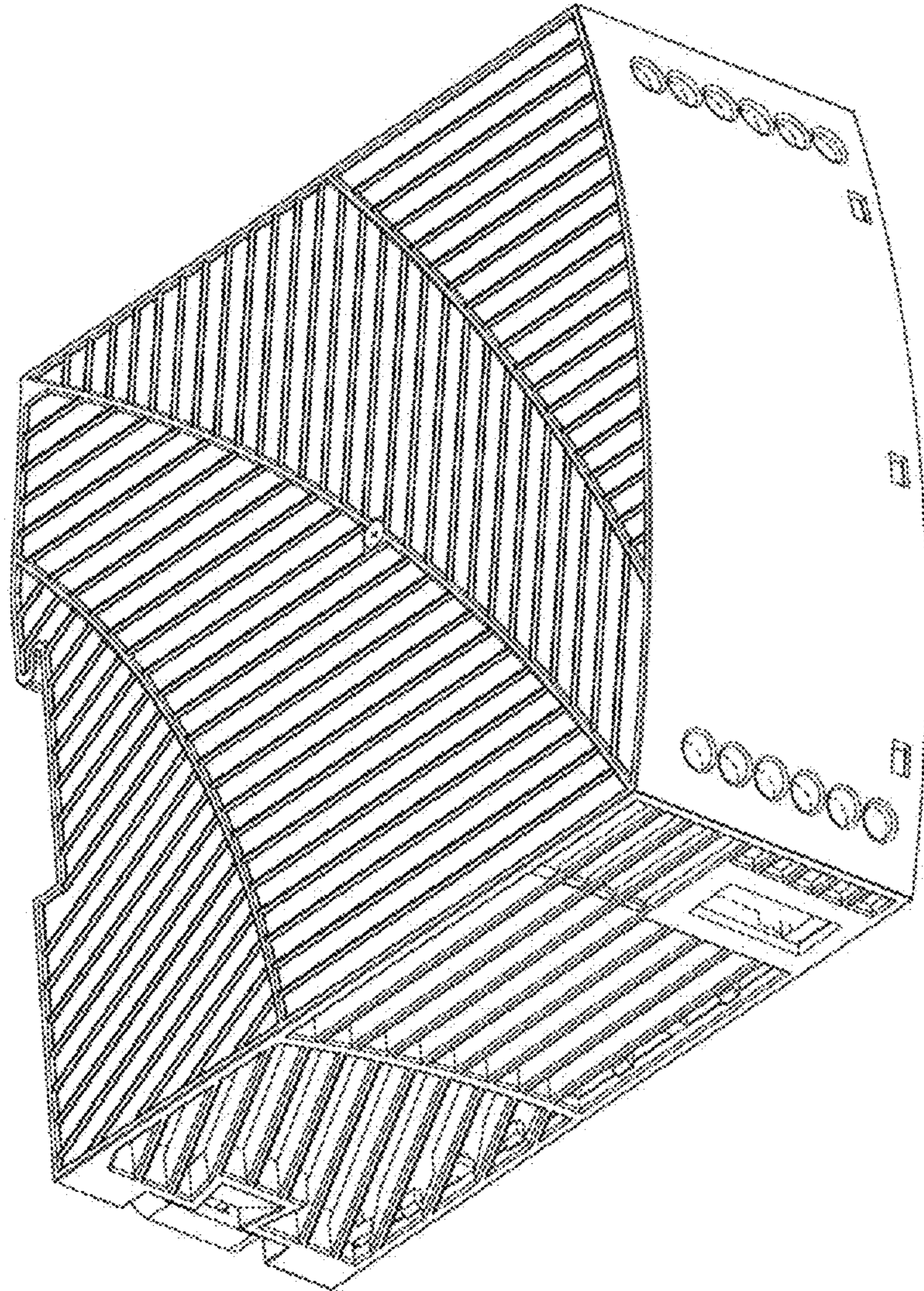


FIG. 9

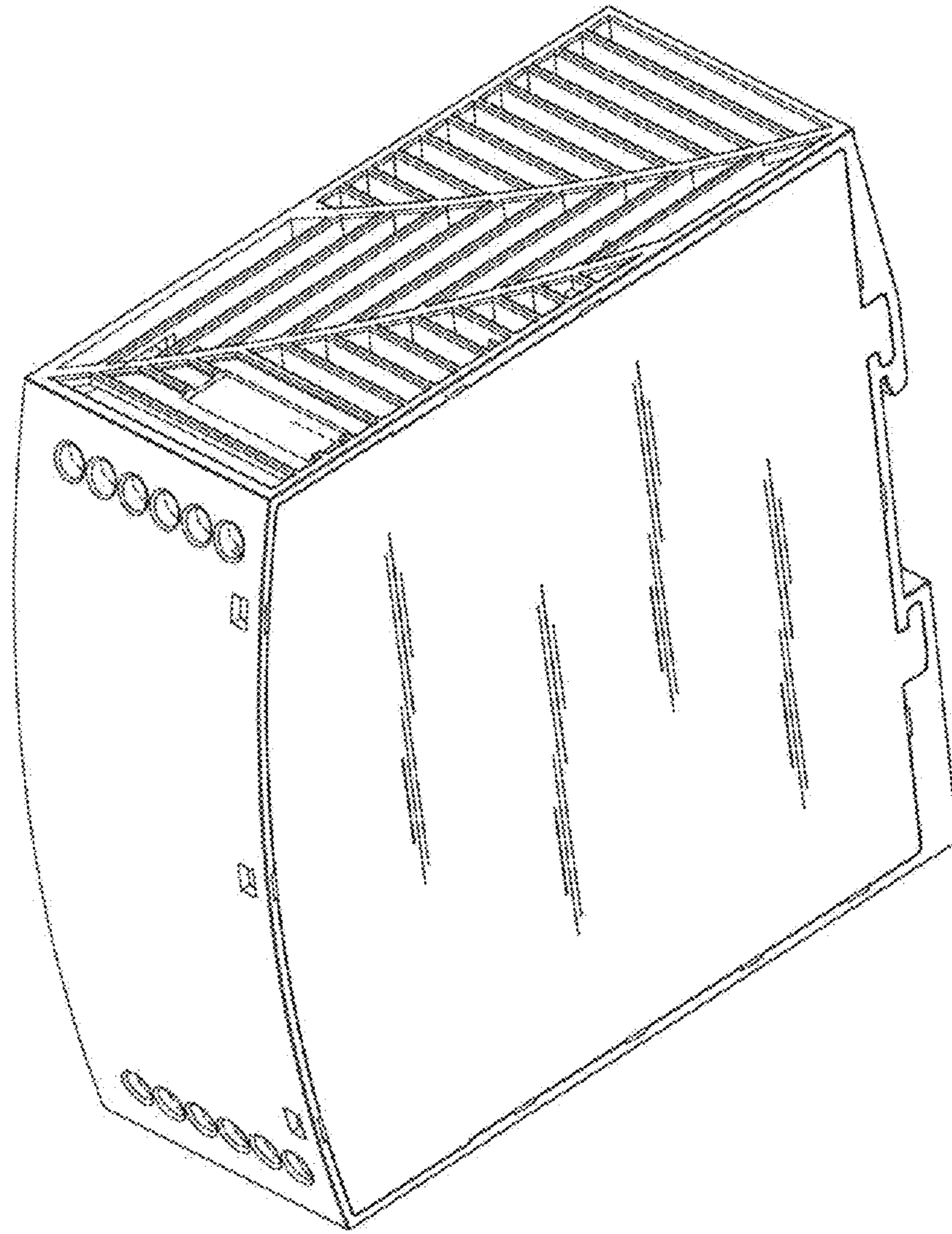


FIG. 10

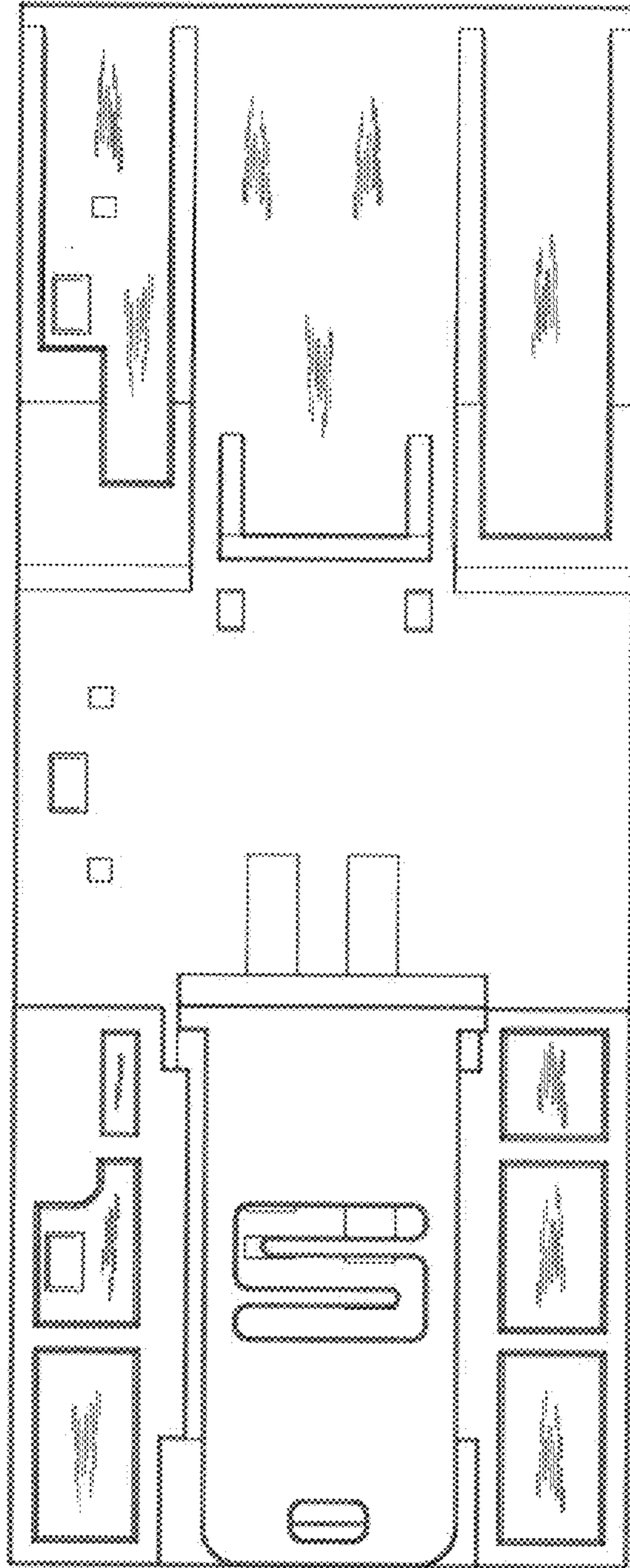


FIG. 11