



US00D764448S

(12) **United States Design Patent**  
**Kim et al.**

(10) **Patent No.:** **US D764,448 S**  
(45) **Date of Patent:** **\*\* Aug. 23, 2016**

- (54) **STAND FOR TV RECEIVER**
- (71) Applicant: **Samsung Electronics Co., Ltd.**,  
Suwon-si (KR)
- (72) Inventors: **Taehun Kim**, Seoul (KR); **Chaejoo Son**,  
Seoul (KR)
- (73) Assignee: **Samsung Electronics Co., Ltd.**,  
Suwon-si (KR)
- (\*\*) Term: **15 Years**
- (21) Appl. No.: **29/538,380**
- (22) Filed: **Sep. 3, 2015**

- D671,084 S \* 11/2012 Kim ..... D14/126
- D689,033 S \* 9/2013 Hwangbo ..... D14/126
- D709,470 S \* 7/2014 Ryu ..... D14/126
- D721,666 S \* 1/2015 Son ..... D14/126
- D723,524 S 3/2015 Ann et al.
- D733,084 S \* 6/2015 Son ..... D14/126

- (30) **Foreign Application Priority Data**
- Mar. 5, 2015 (KR) ..... 30-2015-0011218
- (51) **LOC (10) Cl.** ..... **14-03**
- (52) **U.S. Cl.**
- USPC ..... **D14/239**
- (58) **Field of Classification Search**
- USPC ..... D14/125-134, 239, 371, 136, 374-377,  
D14/440, 450, 448, 336, 342, 159; 312/7.2;  
348/836, 838, 180, 184, 325, 739;  
248/917-924, 465; 345/104, 133, 156,  
345/168, 87, 173; D21/329, 515, 577, 622,  
D21/333, 433, 448, 452, 450, 331, 505;  
D10/15, 26; 446/484, 175, 356;  
D6/477, 479, 300; D24/185; D34/14
- CPC ... G06F 1/1601; G06F 1/1643; H05K 5/0004;  
H05K 5/0017; H05K 5/02; H05K 5/0217
- See application file for complete search history.

**OTHER PUBLICATIONS**

Nilay Patel. "Ostendo now selling CRVD display directly; multiple CRVD display rig blows minds on video". [2009] www.engadget.com Nov. 23, 2009. <<http://www.engadget.com/tag/ostendo/www.engadget.com/2009/11/23/ostendo-now-selling-crvd-display-directly-multiple-crvd-display/>>.

(Continued)

*Primary Examiner* — Randall Gholson  
(74) *Attorney, Agent, or Firm* — NSIP Law

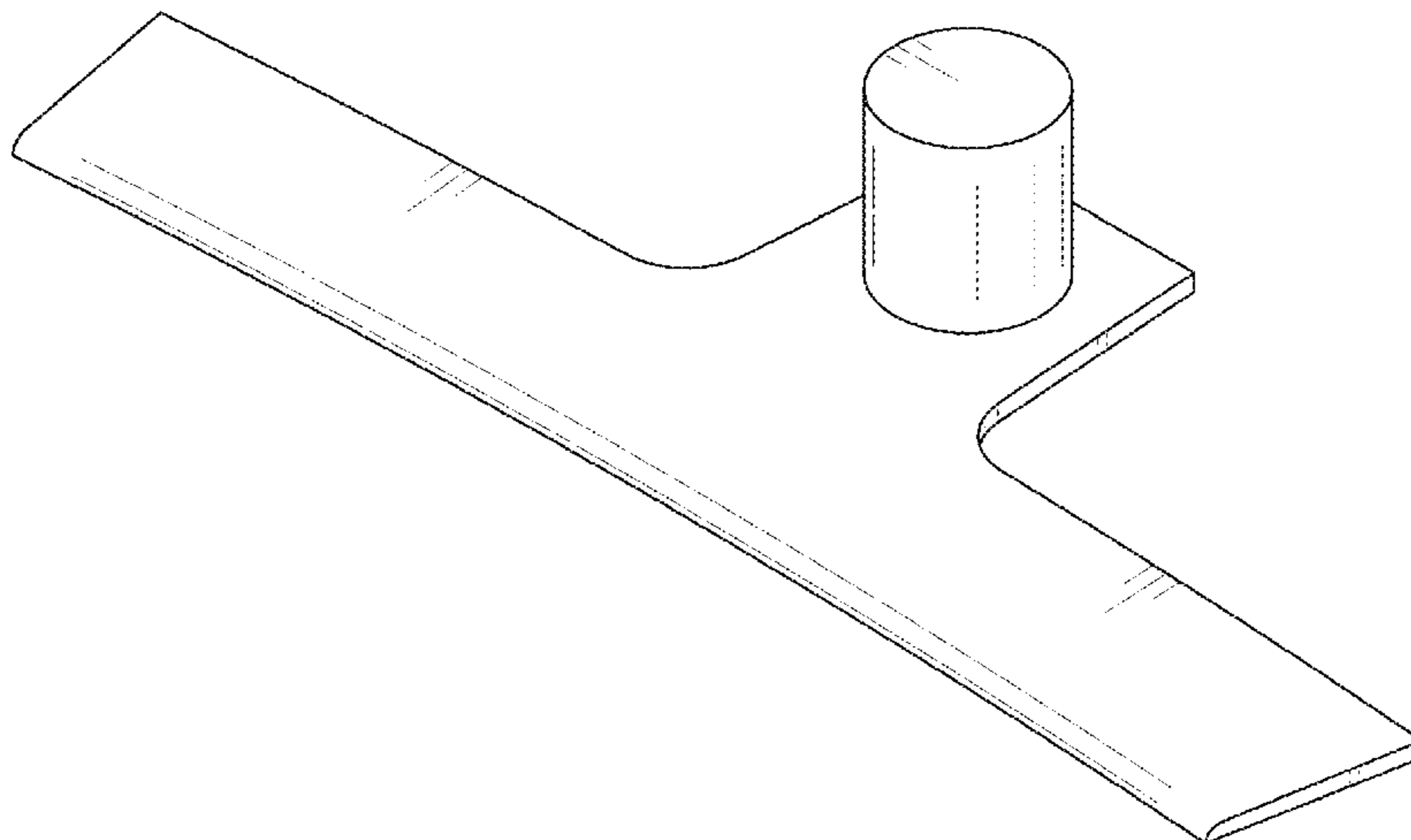
(57) **CLAIM**  
We claim the ornamental design for a stand for TV receiver, as shown and described.

**DESCRIPTION**

FIG. 1 is a front perspective view of a stand for TV receiver showing our new design;  
FIG. 2 is a front view thereof;  
FIG. 3 is a rear view thereof;  
FIG. 4 is a left-side view thereof;  
FIG. 5 is a right-side view thereof;  
FIG. 6 is a top view thereof;  
FIG. 7 is a bottom view thereof;  
FIG. 8 is a rear perspective view thereof; and,  
FIG. 9 is a perspective view thereof in which a TV screen is provided in dash-dot broken lines to illustrate an example environment.  
The dash-dot broken lines showing of the TV screen in FIG. 9 are for the purpose of illustrating environmental structure and form no part of the claimed design.

- (56) **References Cited**
- U.S. PATENT DOCUMENTS
- D548,229 S \* 8/2007 Tanigawa ..... D14/239
- D626,924 S \* 11/2010 Miyaji ..... D14/126

**1 Claim, 9 Drawing Sheets**



(56)

**References Cited**

OTHER PUBLICATIONS

Adam Frucci. "Stunning NEC CRV43 43-Inch Curved Montior Is Stunningly Expensive". [2009] gizmodo.com. Jun. 3, 2009. <<http://gizmodo.com/5277667/stunning-nec-crv43-43+inch-curved-monitor-is-stunningly-expensive>>.

Shakir Molendina. "LG 77-inch cuved OLED Ultra HD TV is world's largest". [2013] www.123tanzania.com. Sep. 6, 2013. <<http://www.123tanzania.com/?module=news&action=newsdetails&news=2538>>.

\* cited by examiner

FIG. 1

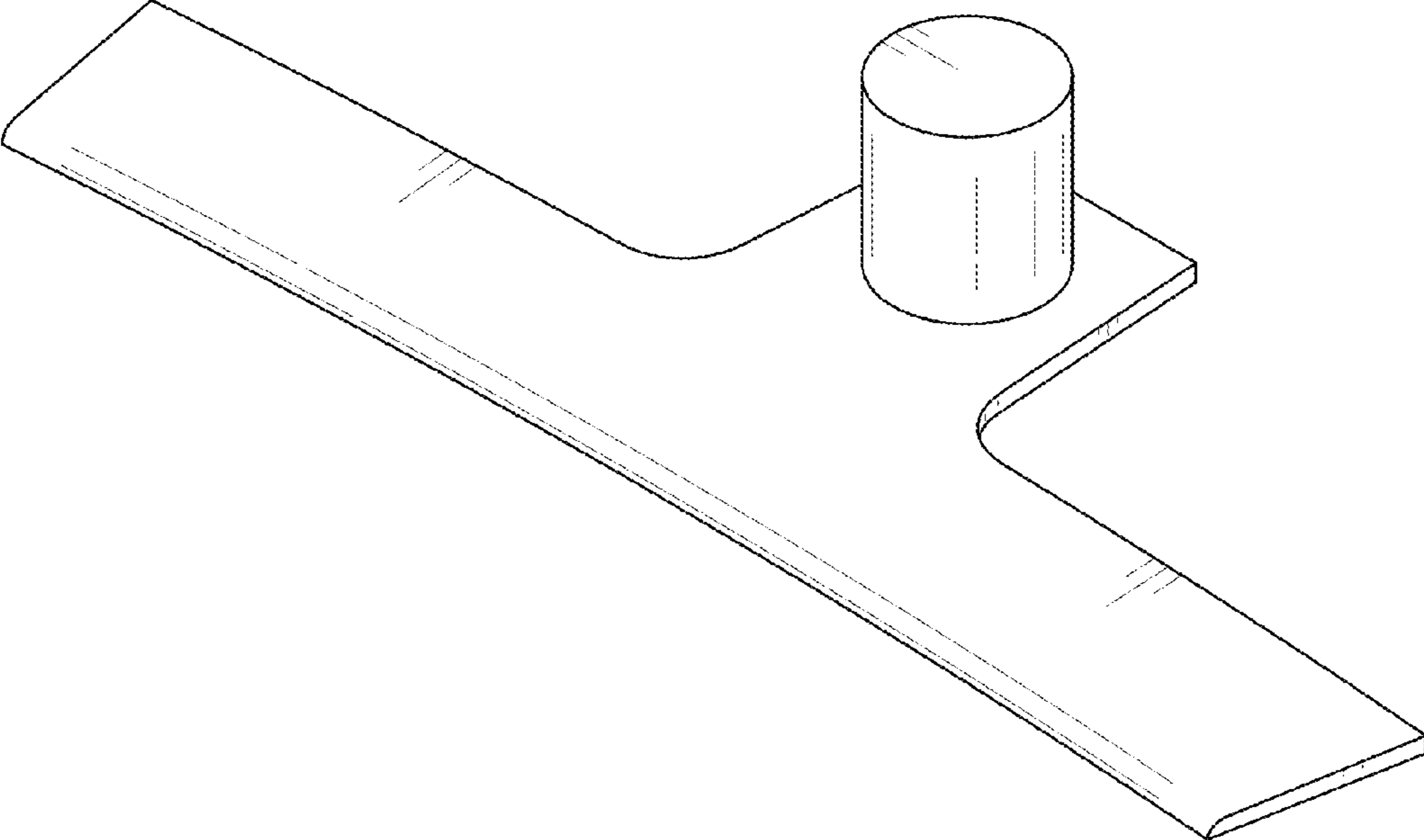


FIG. 2

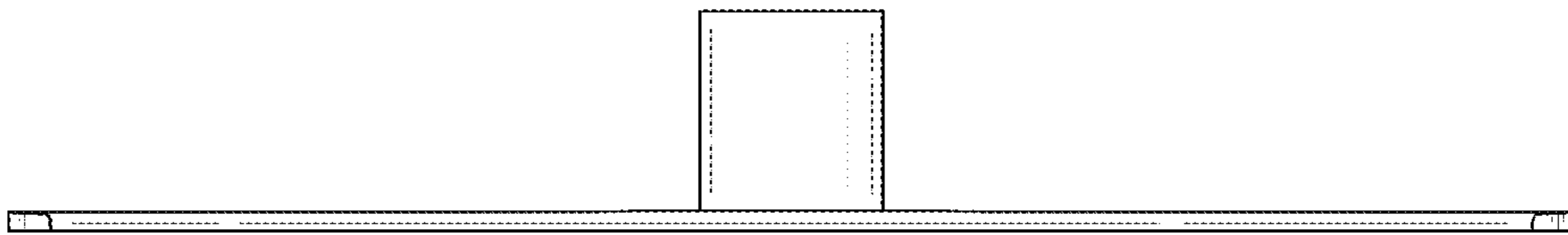


FIG. 3

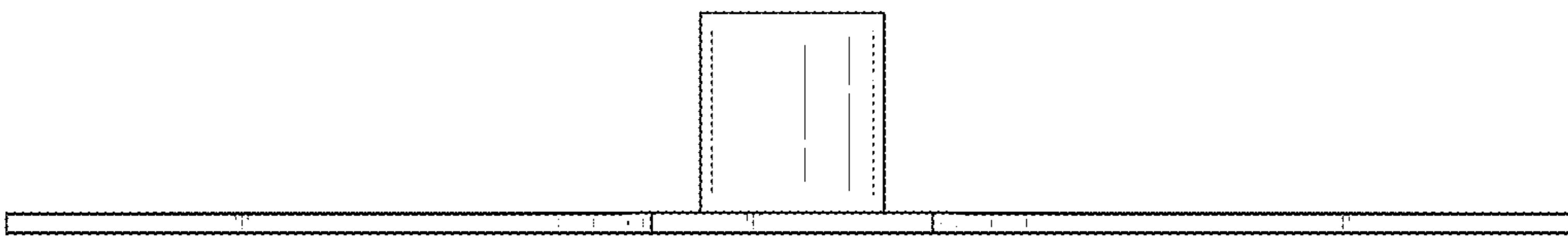


FIG. 4

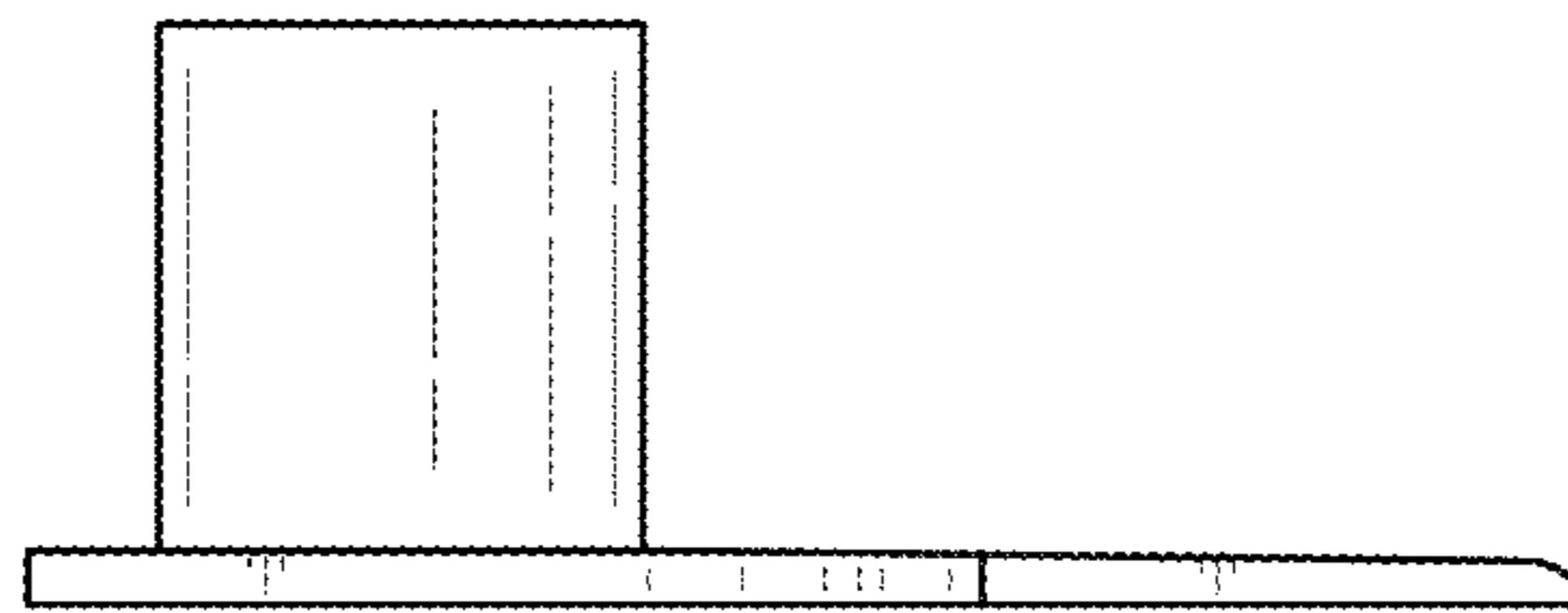


FIG. 5

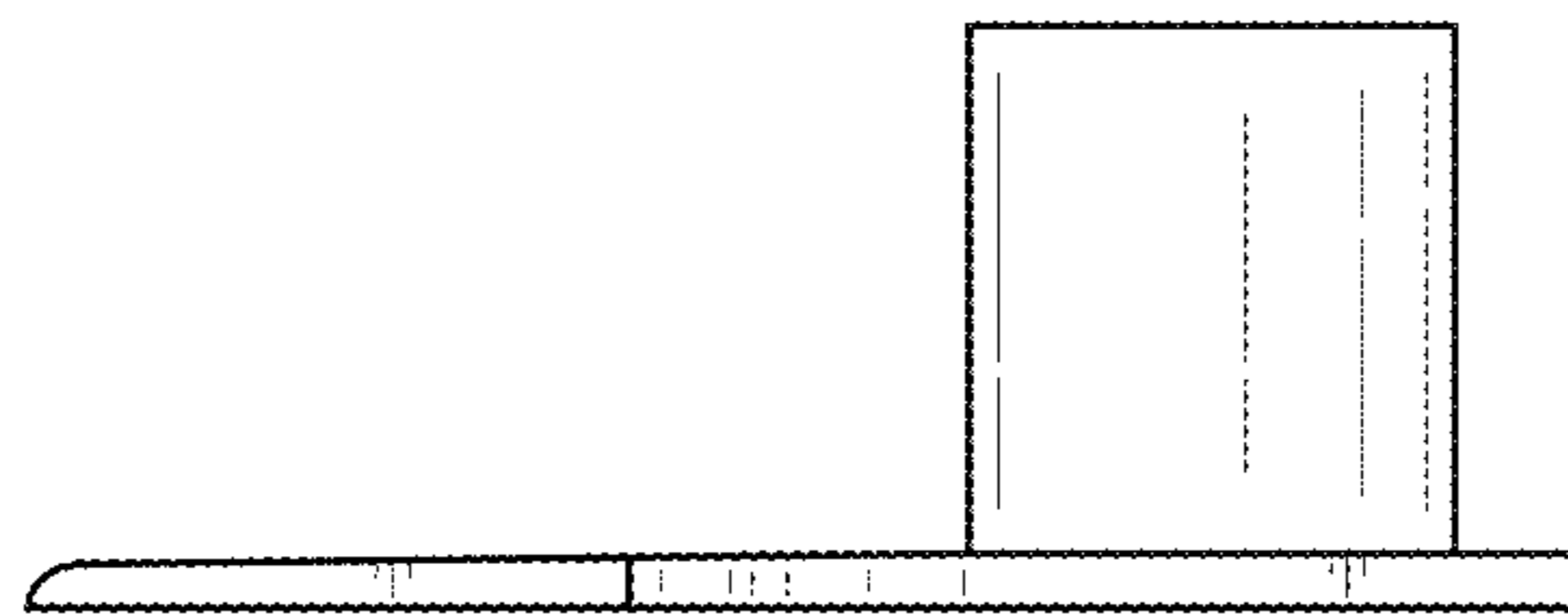


FIG. 6

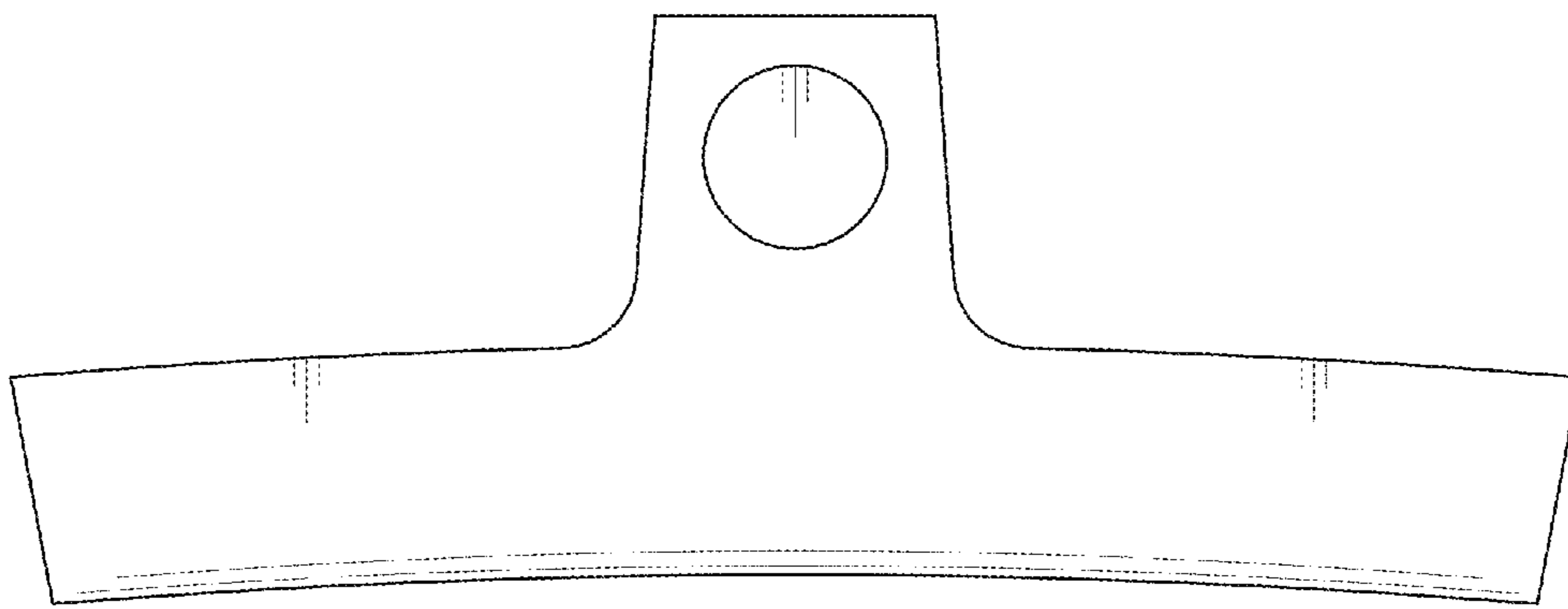




FIG. 7

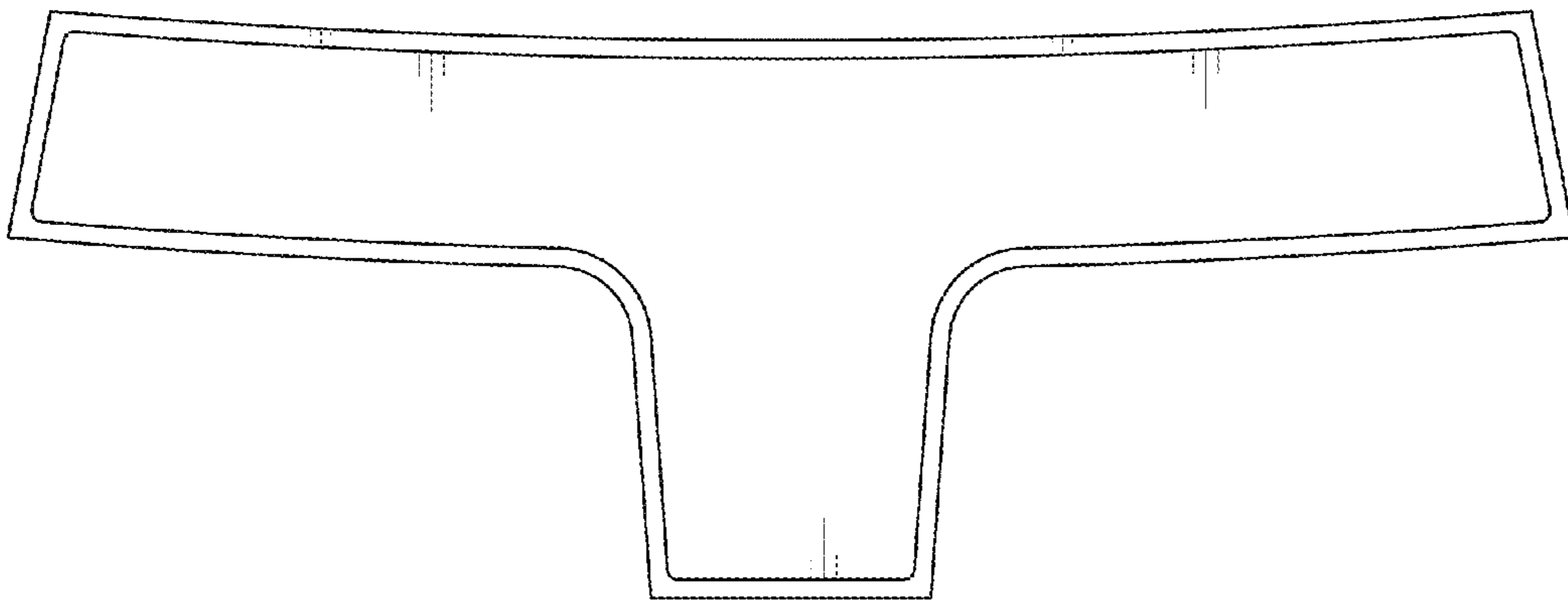


FIG. 8

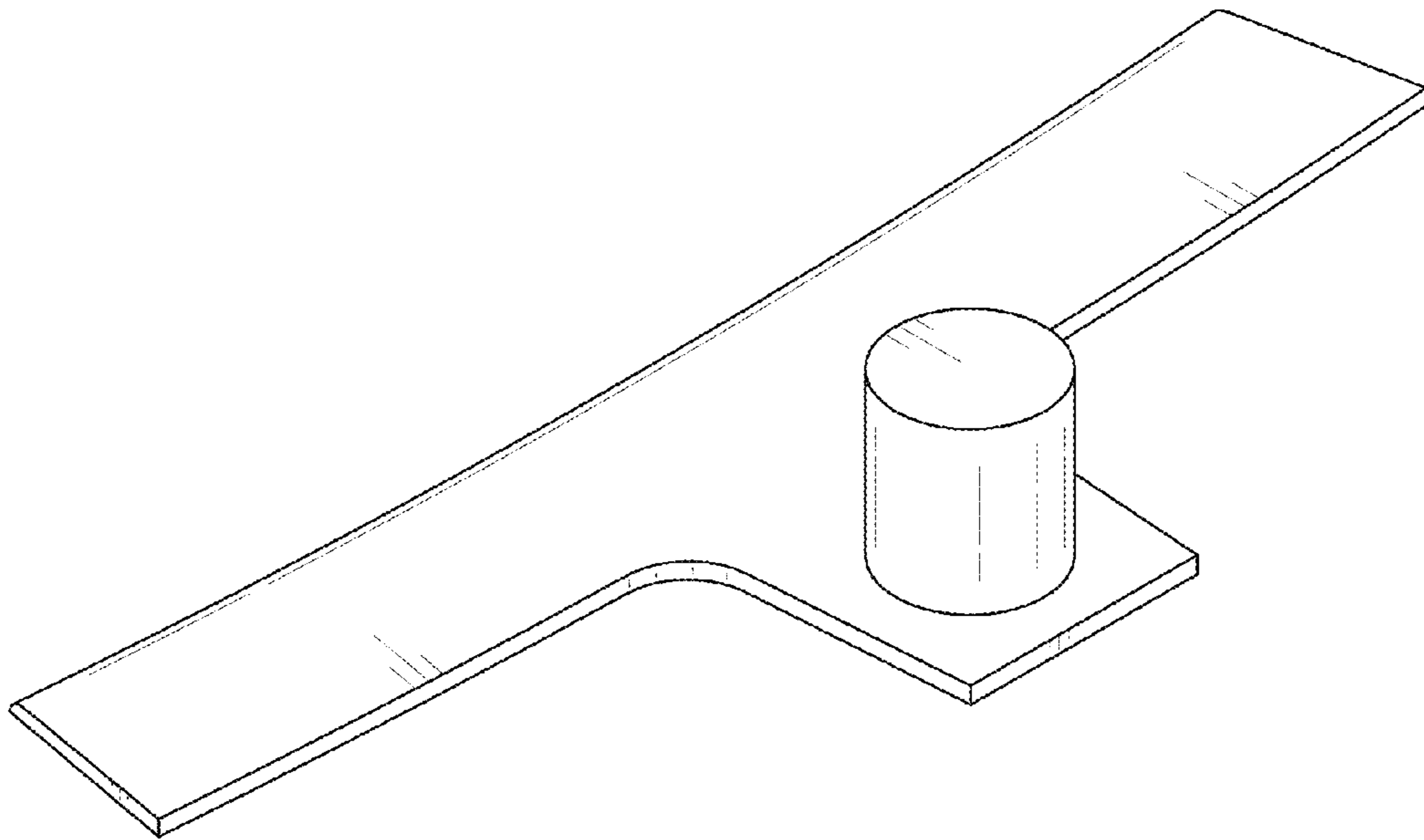


FIG. 9

