



US00D764442S

(12) **United States Design Patent**
Zhu

(10) **Patent No.:** **US D764,442 S**

(45) **Date of Patent:** **** Aug. 23, 2016**

(54) **REMOTE CONTROL**

(71) Applicant: **HangZhou Hikvision Digital Technology Co., Ltd**, Hangzhou (CN)

(72) Inventor: **Weike Zhu**, Hangzhou (CN)

(73) Assignee: **HANGZHOU HIKVISION DIGITAL TECHNOLOGY CO., LTD**, Hangzhou (CN)

(**) Term: **14 Years**

(21) Appl. No.: **29/518,865**

(22) Filed: **Feb. 27, 2015**

(30) **Foreign Application Priority Data**

Aug. 29, 2014 (CN) 2014 3 0317338

(51) **LOC (10) Cl.** **14-03**

(52) **U.S. Cl.**
USPC **D14/218**

(58) **Field of Classification Search**
USPC D14/137, 174, 217-218, 240, 247,
D14/388-390, 396, 511; D21/516;
D13/162-164, 168; 715/738; 434/350;
600/323; 348/211.99, 14.05, 114, 734;
341/175-176; 455/575.1
CPC G08C 23/04; G08C 19/12; H04N 5/44;
H04L 17/02
See application file for complete search history.

(56) **References Cited**

U.S. PATENT DOCUMENTS

D270,061 S * 8/1983 Ackeret 40/513
D357,919 S * 5/1995 Tsui D13/168

D374,693 S * 10/1996 Osborne D13/168
5,956,456 A * 9/1999 Bang G08C 23/04
348/734
6,914,551 B2 * 7/2005 Vidal G08C 17/02
340/4.37
D546,295 S * 7/2007 Marchetto D13/168
D577,708 S * 9/2008 von Meiss D14/158
7,817,141 B2 * 10/2010 Chang G06F 1/1626
345/167
D647,882 S * 11/2011 Kim D14/218
D661,282 S * 6/2012 Tatara D14/218
D663,287 S * 7/2012 Kim D14/218
D719,534 S * 12/2014 Woodman D13/168
8,965,466 B2 * 2/2015 Oh H04M 1/0241
361/814
D726,160 S * 4/2015 Chang D14/218
9,226,020 B2 * 12/2015 Kim H04N 21/4126

* cited by examiner

Primary Examiner — Ralf Seifert

(74) *Attorney, Agent, or Firm* — Pearl Cohen Zedek Latzer Baratz LLP

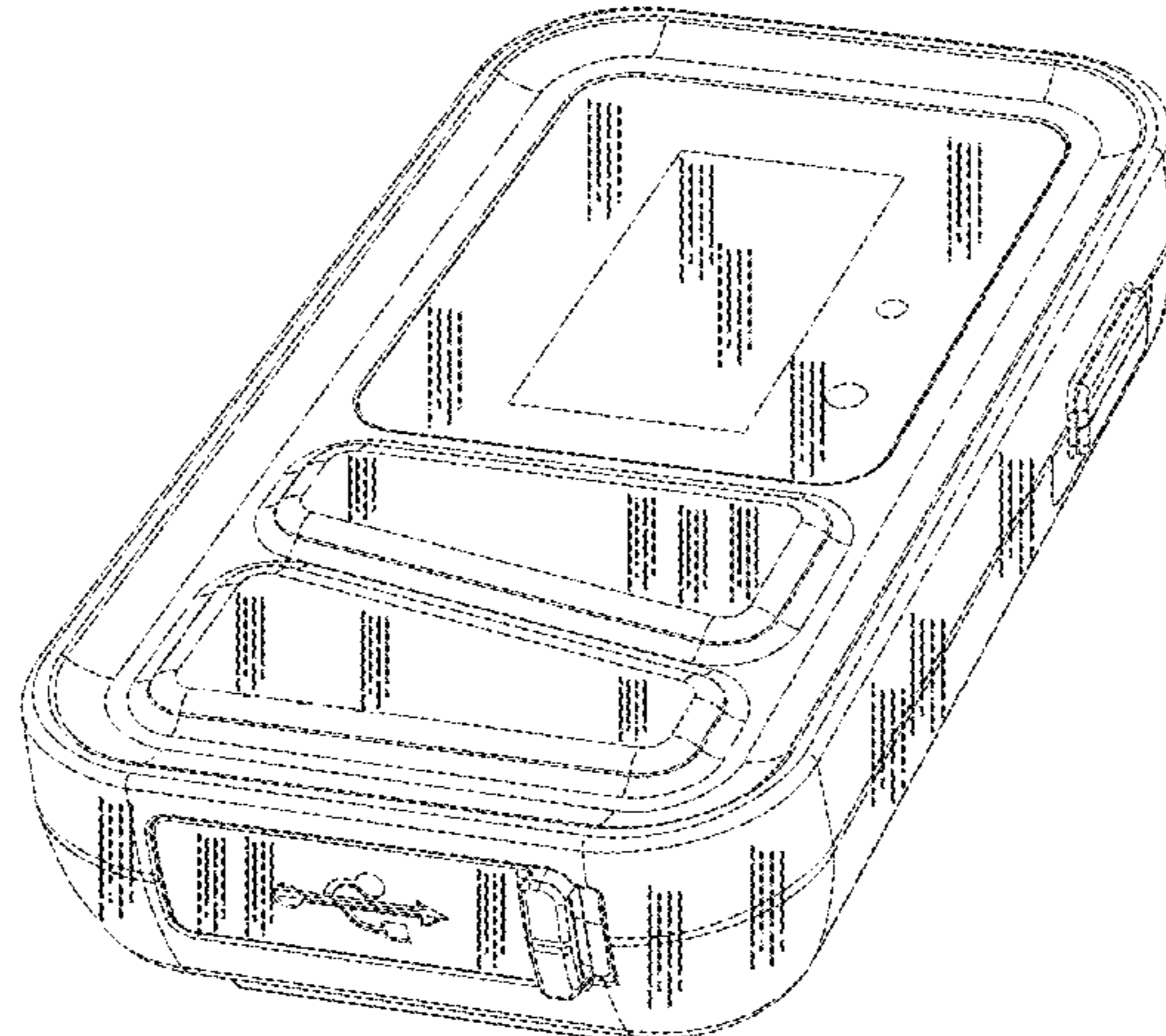
(57) **CLAIM**

The ornamental design for a remote control, as shown and described.

DESCRIPTION

FIG. 1 is a front elevational view of a remote control showing my new design;
FIG. 2 is a left side elevational view thereof;
FIG. 3 is a right side elevational view thereof;
FIG. 4 is a top plan view thereof;
FIG. 5 is a bottom plan view thereof;
FIG. 6 is back elevational view thereof; and,
FIG. 7 is a bottom, front and right side perspective view thereof.

1 Claim, 7 Drawing Sheets



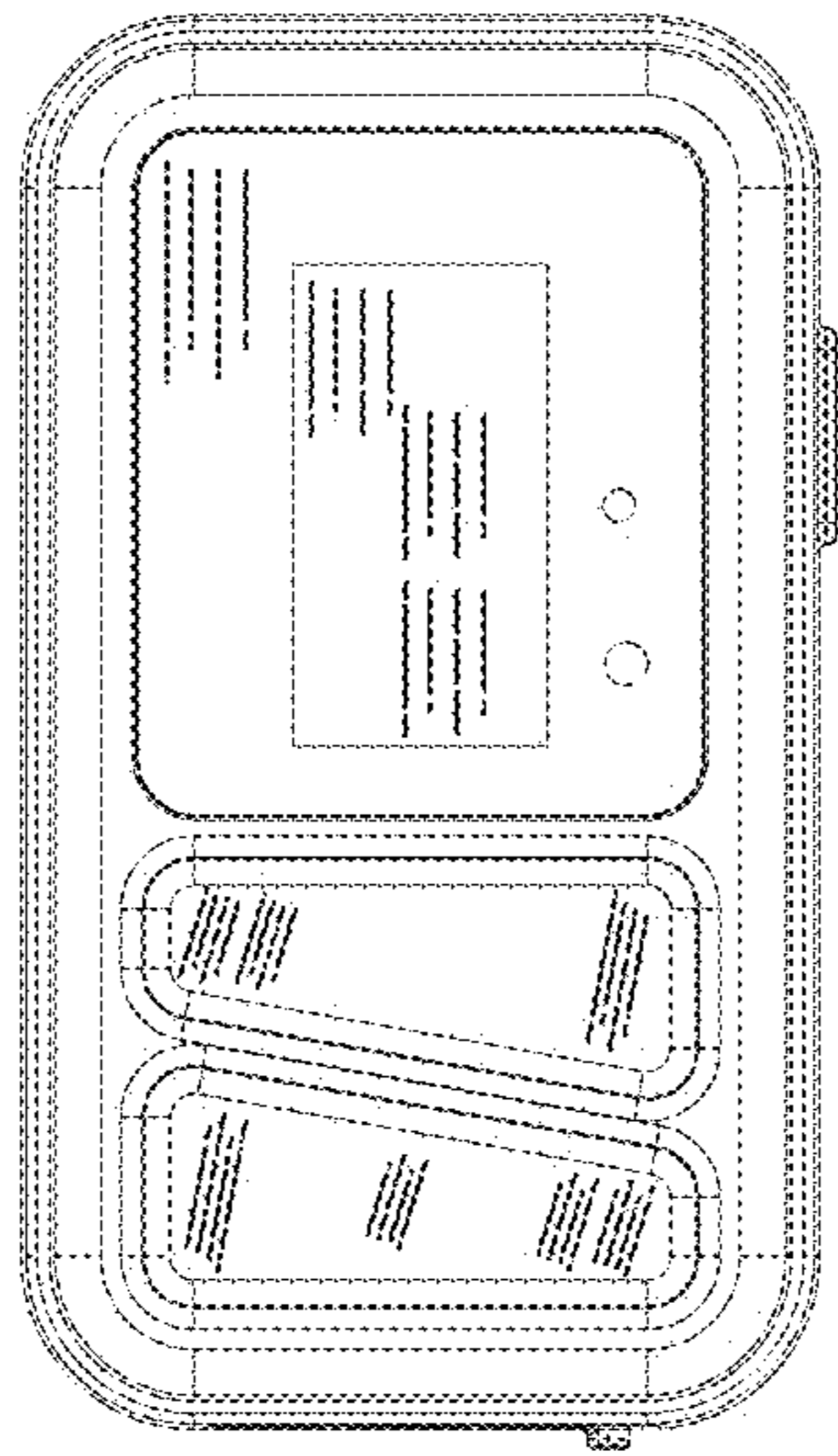


FIGURE 1

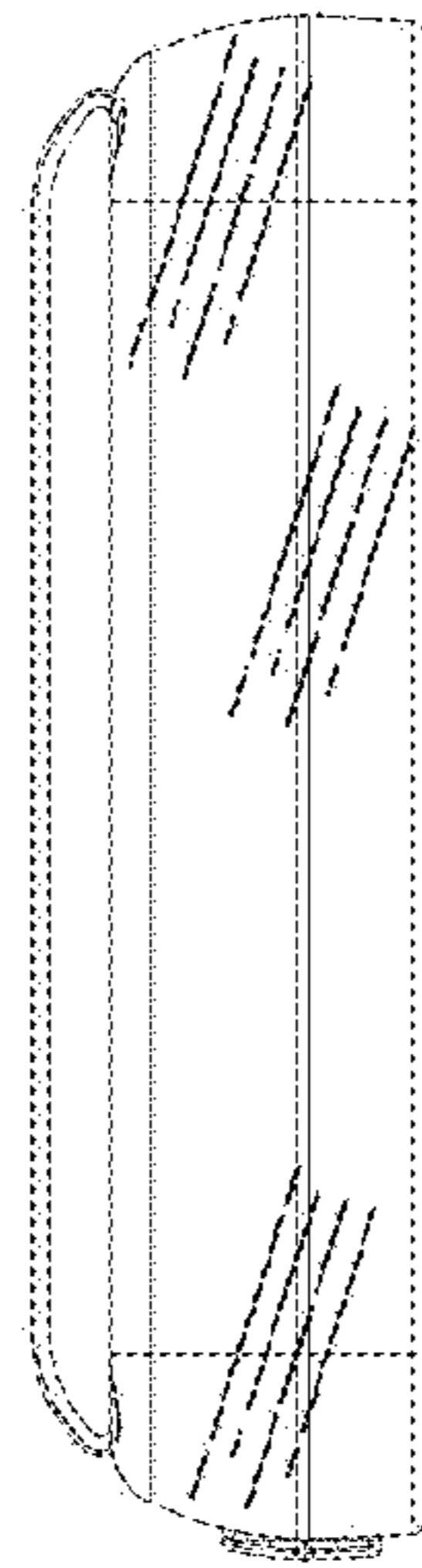


FIGURE 2

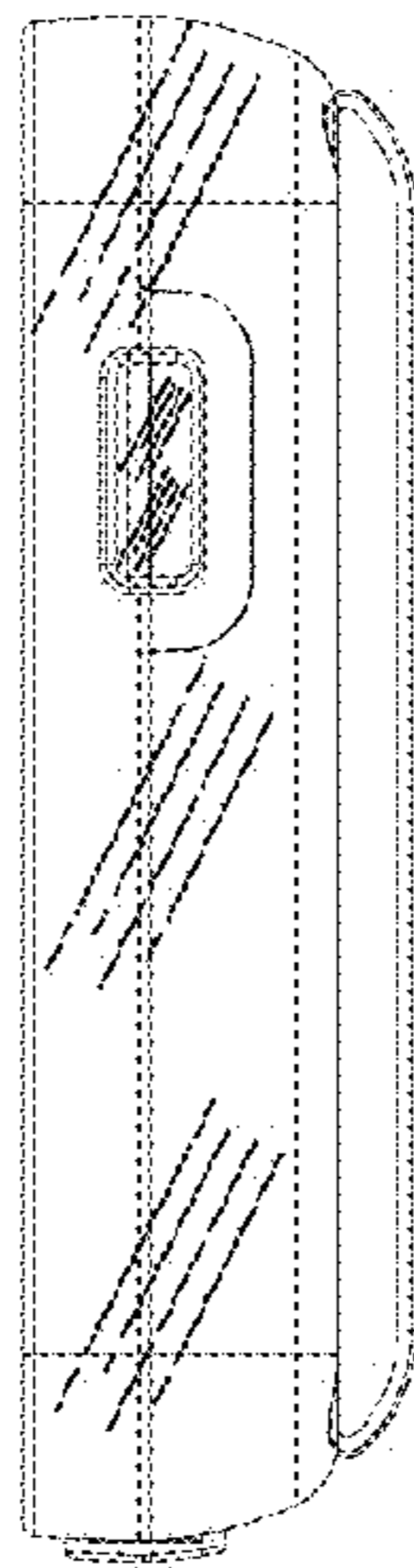


FIGURE 3

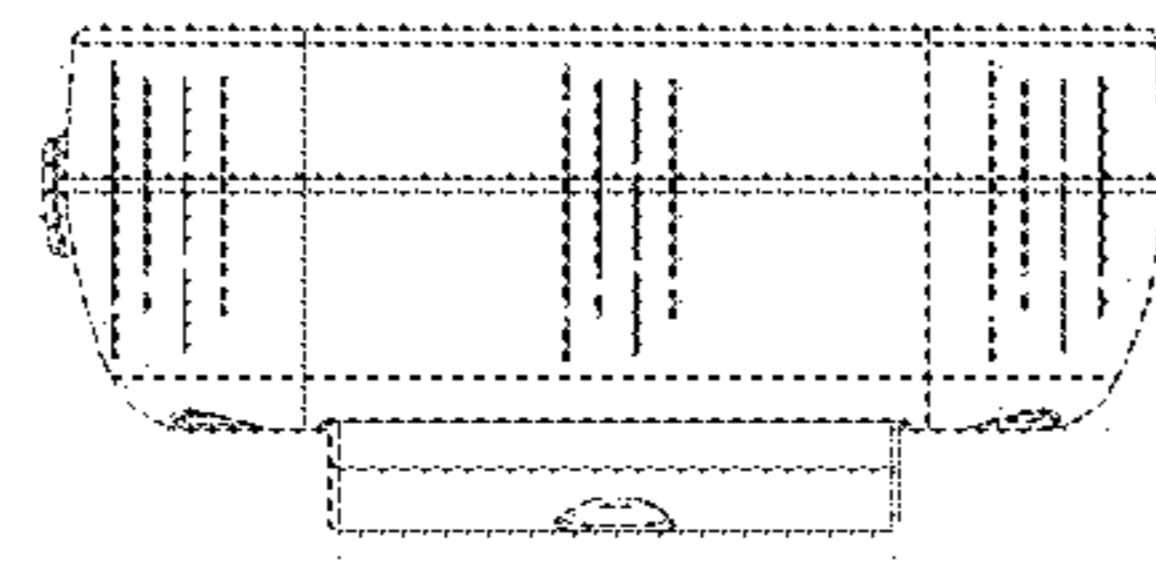


FIGURE 4

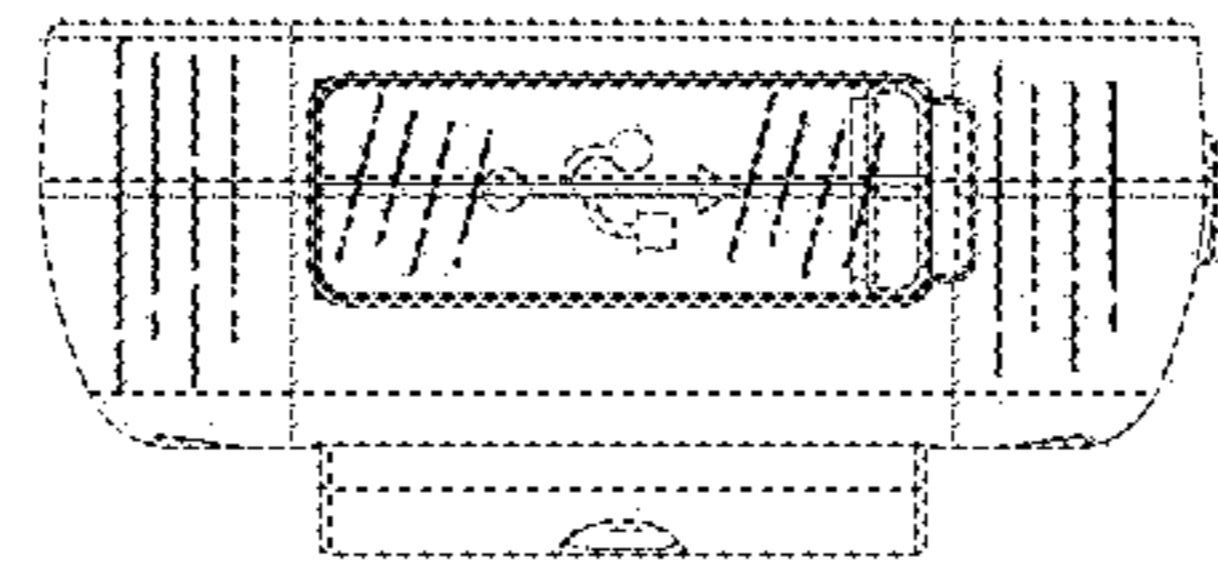


FIGURE 5

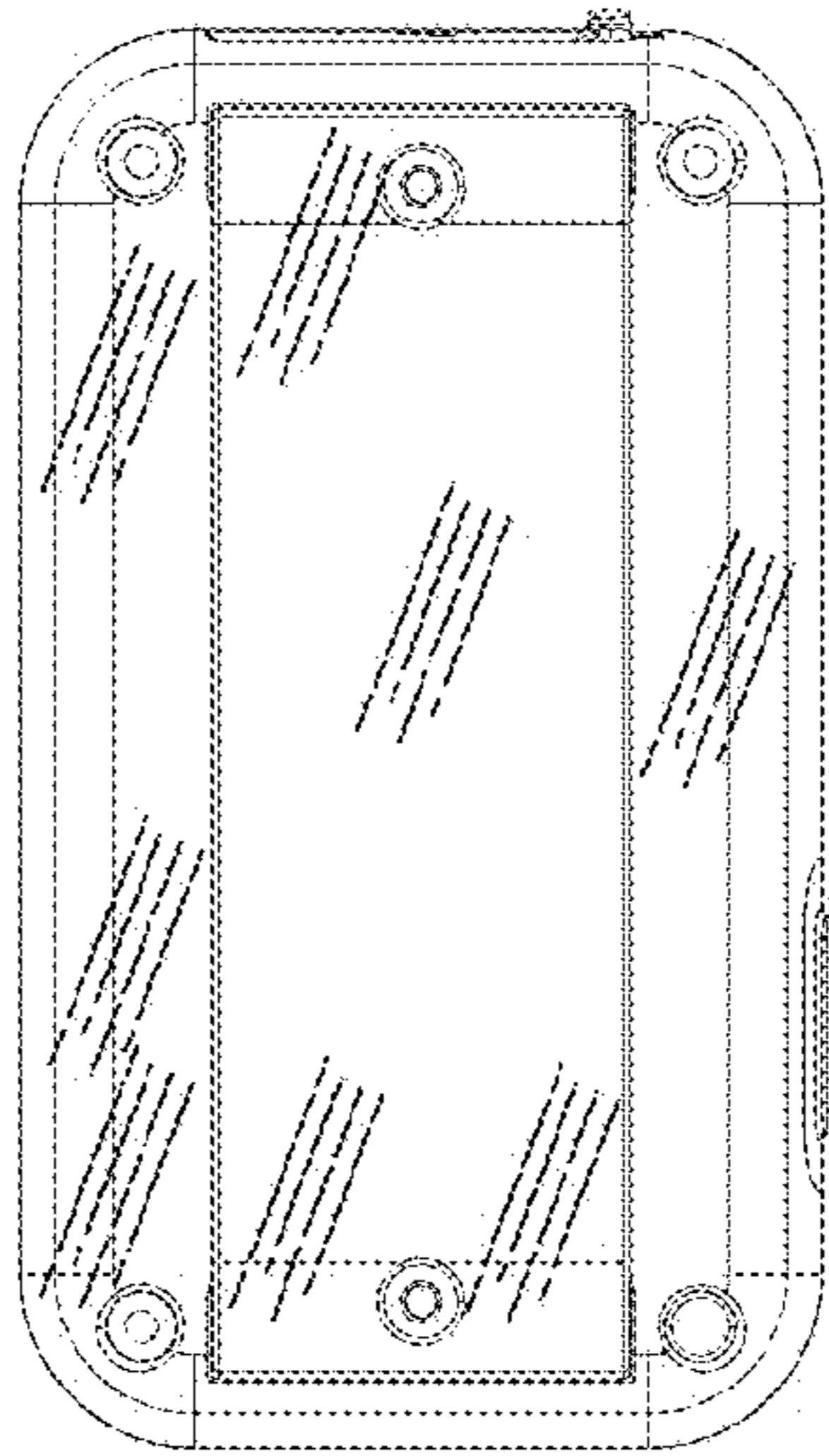


FIGURE 6

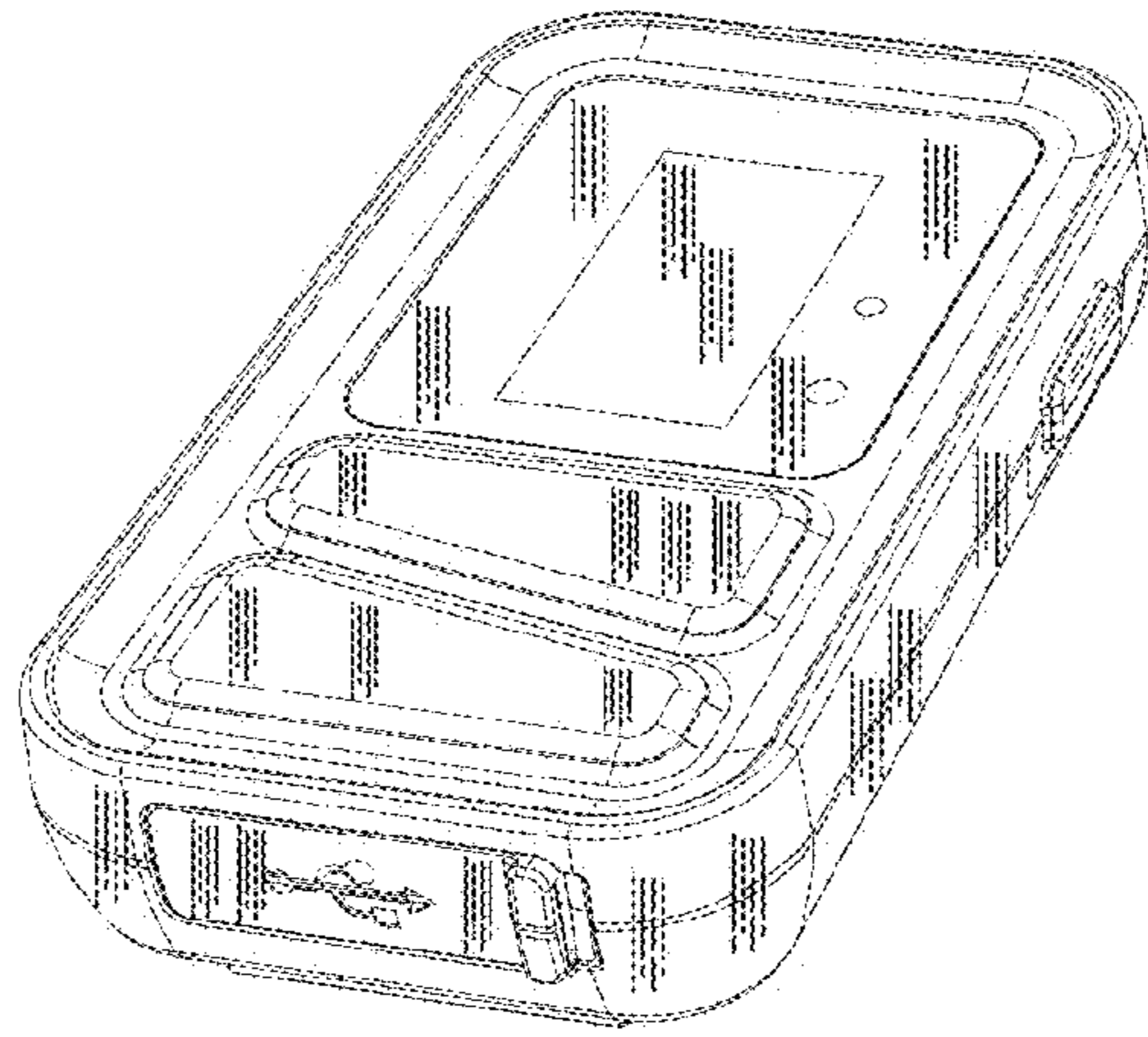


FIGURE 7