



US00D764441S

(12) **United States Design Patent**  
**Crockett et al.**

(10) **Patent No.:** **US D764,441 S**

(45) **Date of Patent:** **\*\* Aug. 23, 2016**

(54) **SPEAKER**

(71) Applicant: **Dolby Laboratories Licensing Corporation**, San Francisco, CA (US)

(72) Inventors: **Brett G Crockett**, Brisbane, CA (US); **Alan J Seefeldt**, San Francisco, CA (US); **C Phillip Brown**, Castro Valley, CA (US)

(73) Assignee: **Dolby Laboratories Licensing Corporation**, San Francisco, CA (US)

(\*\*) Term: **14 Years**

(21) Appl. No.: **29/513,215**

(22) Filed: **Dec. 29, 2014**

(51) **LOC (10) Cl.** ..... **14-03**

(52) **U.S. Cl.**  
USPC ..... **D14/215**

(58) **Field of Classification Search**  
USPC ..... D14/168, 170-172, 188, 194-196, 204, D14/207, 210-216, 219, 221, 222, 224, D14/496; 181/143, 144, 147, 148, 150, 153, 181/157, 198, 199; 381/300-303, 306, 332, 381/333, 336, 345, 361-364, 386-388  
CPC .... B60R 11/0217; G06F 1/1688; H04M 1/03; H04M 1/035; H04R 1/02; H04R 1/06; H04R 1/021; H04R 1/025; H04R 1/026; H04R 1/028; H04R 1/105; H04R 1/323; H04R 1/403; H04R 1/2803; H04R 1/2834; H04R 5/02; H04R 7/20; H04R 9/06; H04R 9/025; H04R 2201/021; H04R 2400/00; H04R 2400/07; H04R 2499/11; H04R 2499/13; H04R 2499/15; H04S 3/00; H04S 7/30

See application file for complete search history.

(56) **References Cited**

U.S. PATENT DOCUMENTS

D405,794	S	*	2/1999	Olsen	.....	D14/204
D476,641	S	*	7/2003	Castro	.....	D14/214
D549,869	S	*	8/2007	Ward	.....	D26/138
D558,388	S	*	12/2007	Ward	.....	D26/138
D606,228	S	*	12/2009	Ward	.....	D26/74

(Continued)

OTHER PUBLICATIONS

International Standard, "Sound system equipment. Part 1: General", IEC 60268-1, Second Edition, 1985, abstract, International Electrotechnical Commission, Geneva, Switzerland.

(Continued)

*Primary Examiner* — Keli L Hill

(74) *Attorney, Agent, or Firm* — Saidman DesignLaw Group, LLC

(57) **CLAIM**

The ornamental design for a speaker, as shown and described.

**DESCRIPTION**

FIG. 1 is a front perspective view of a speaker showing our new design;

FIG. 2 is a top view thereof;

FIG. 3 is a front view thereof;

FIG. 4 is a right side view thereof, the left side view being a mirror image;

FIG. 5 is a cross section thereof, taken along the line 5-5 in FIG. 2;

FIG. 6 is a cross section of a second embodiment thereof, the other views being the same as FIGS. 1-4; and,

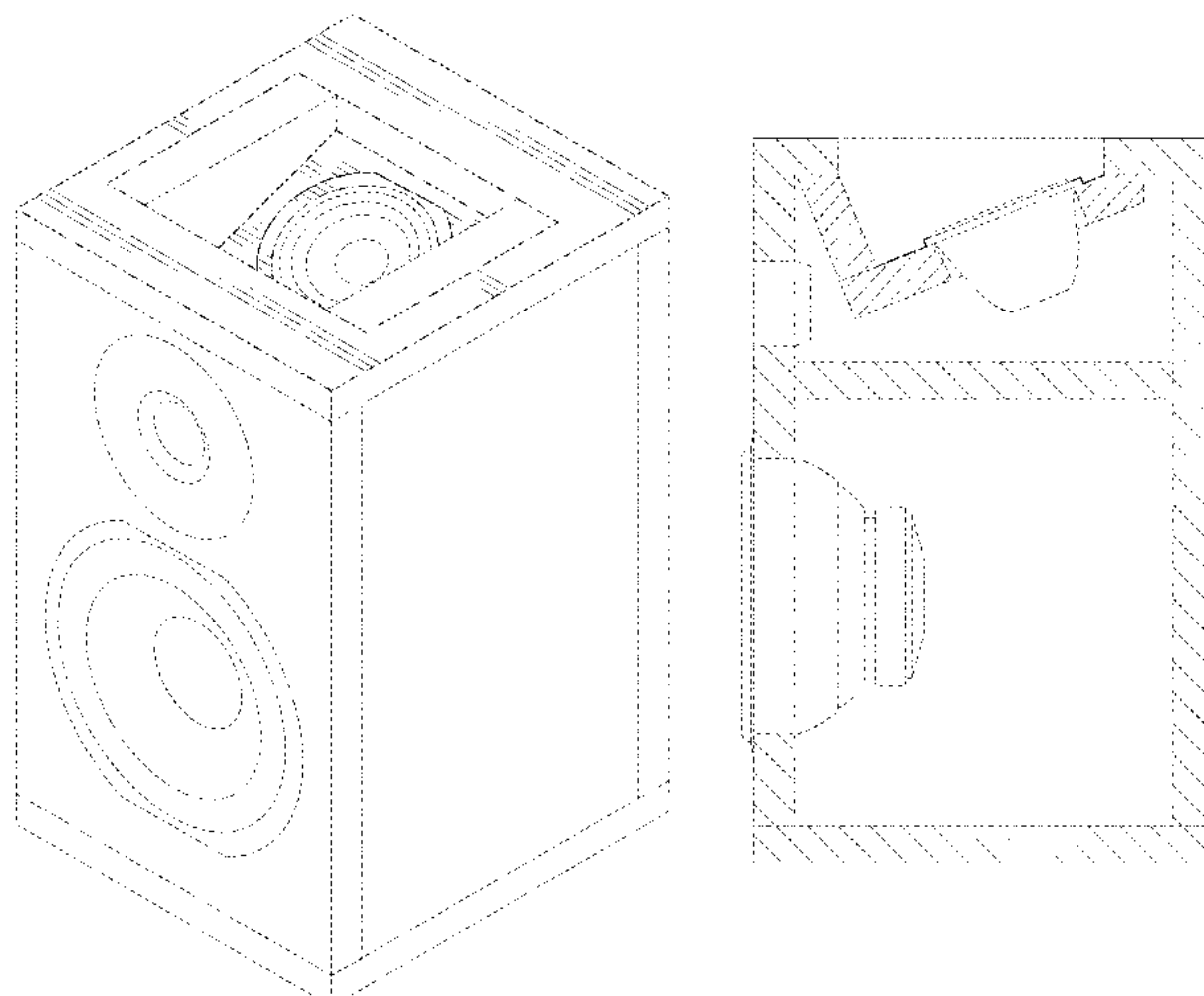
FIG. 7 is a cross section of a third embodiment thereof, the other views being the same as FIGS. 1-4.

The dashed broken lines illustrate structure or features that form no part of the claimed design.

The dot-dash broken lines represent boundaries of the claimed design; the dot-dash broken lines themselves form no part of the claimed design.

The drawings include line surface shading which represents contour, not surface decoration.

**1 Claim, 4 Drawing Sheets**



(56)

**References Cited**

U.S. PATENT DOCUMENTS

D691,591 S \* 10/2013 Lum ..... D14/204  
D691,592 S \* 10/2013 Lum ..... D14/204  
D707,204 S \* 6/2014 Fujiwara ..... D14/204  
D743,938 S \* 11/2015 Kim ..... D14/214

OTHER PUBLICATIONS

International Standard, "Sound system equipment. Part 5: Loudspeakers", IEC 60268-5, Third Edition, 2003, abstract, International Electrotechnical Commission, Geneva, Switzerland.

\* cited by examiner

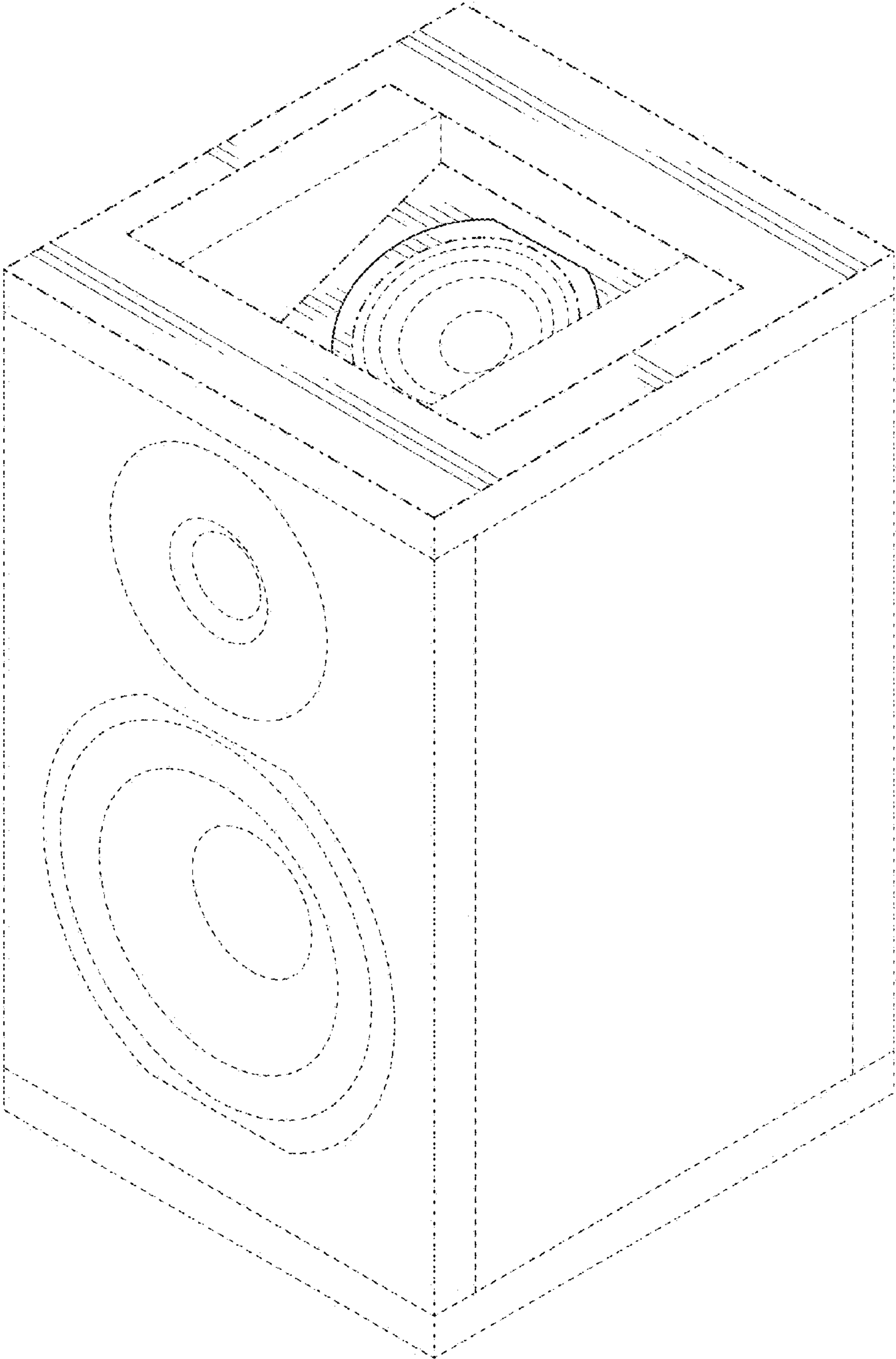


FIG. 1

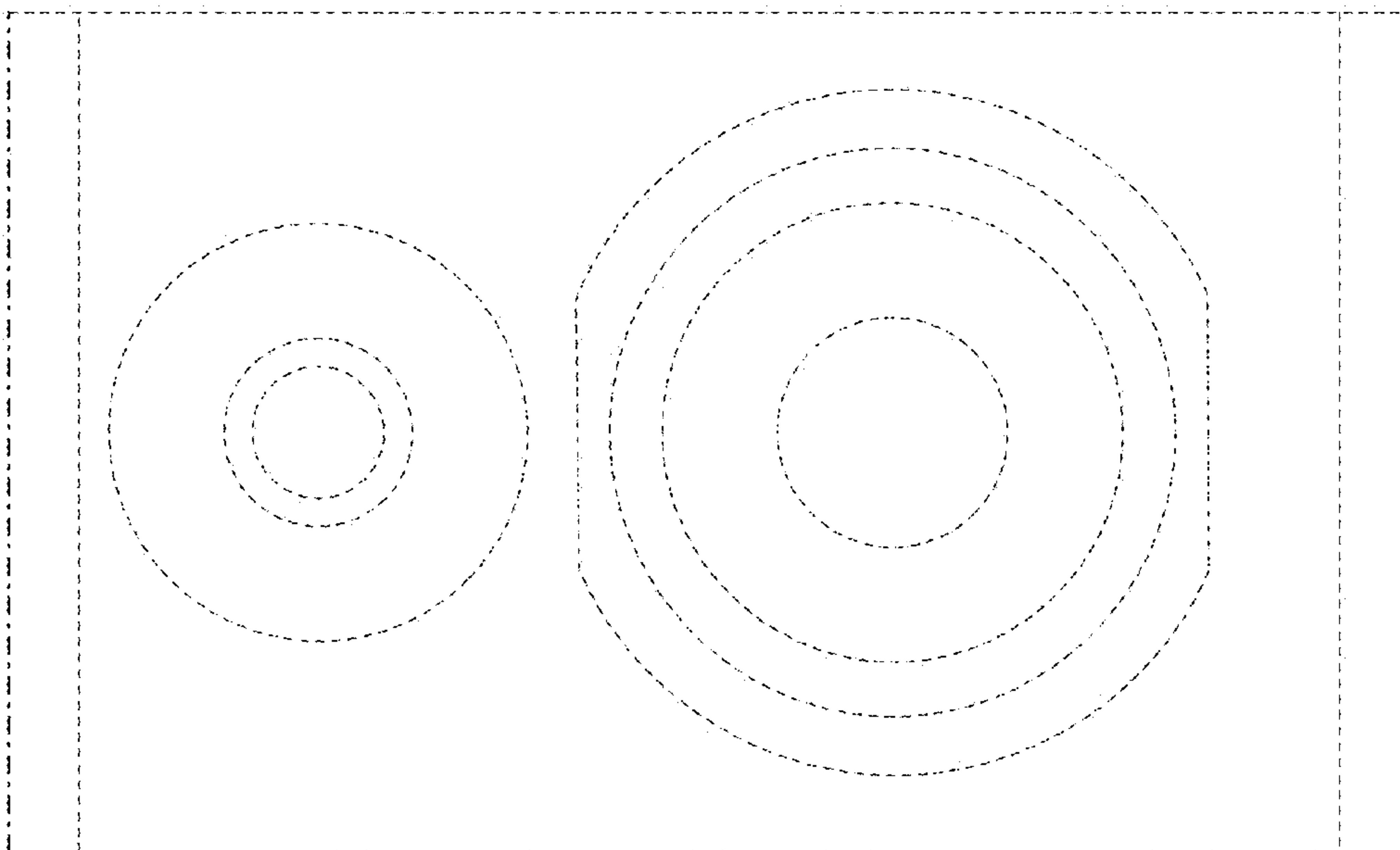


FIG. 3

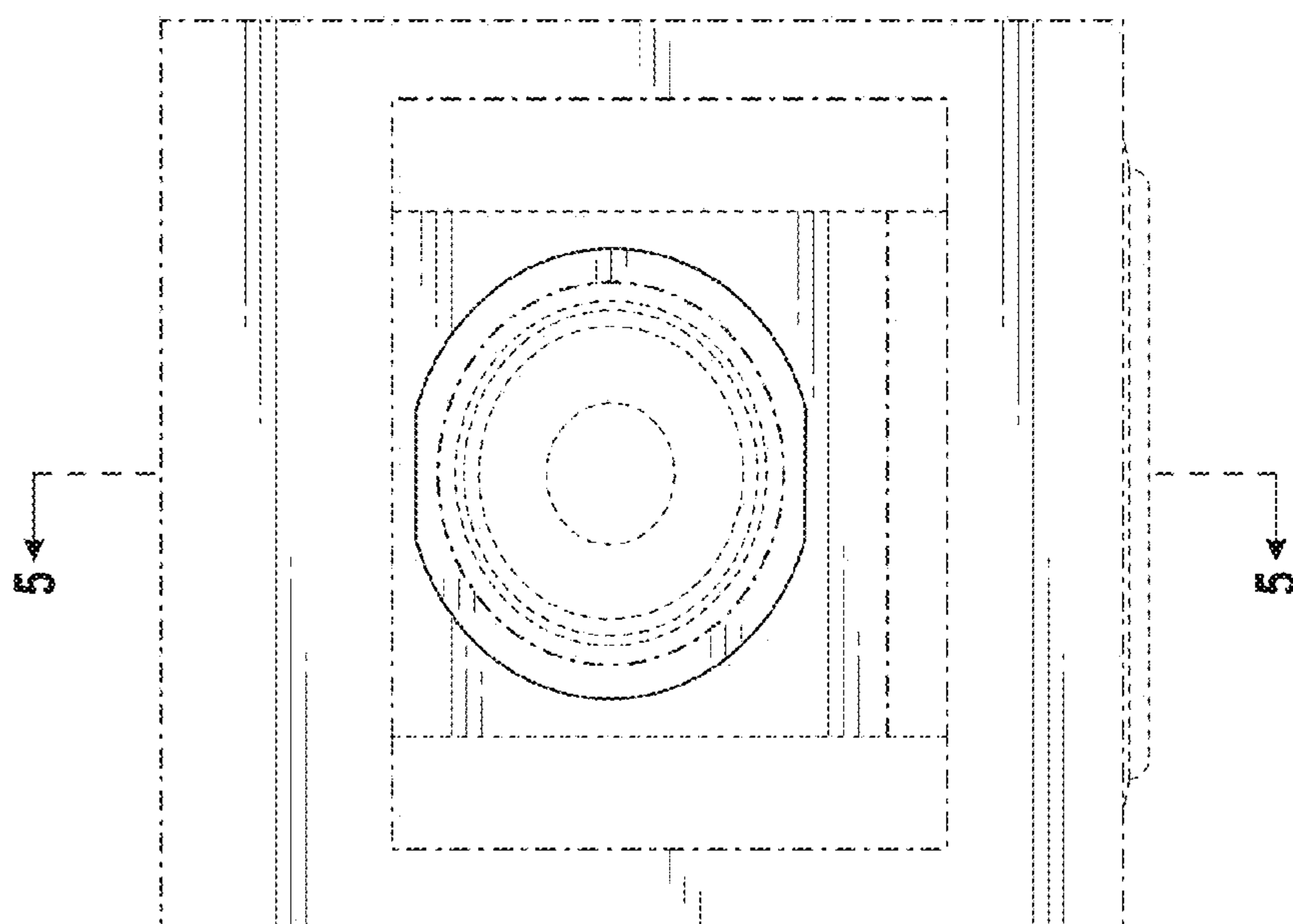


FIG. 2

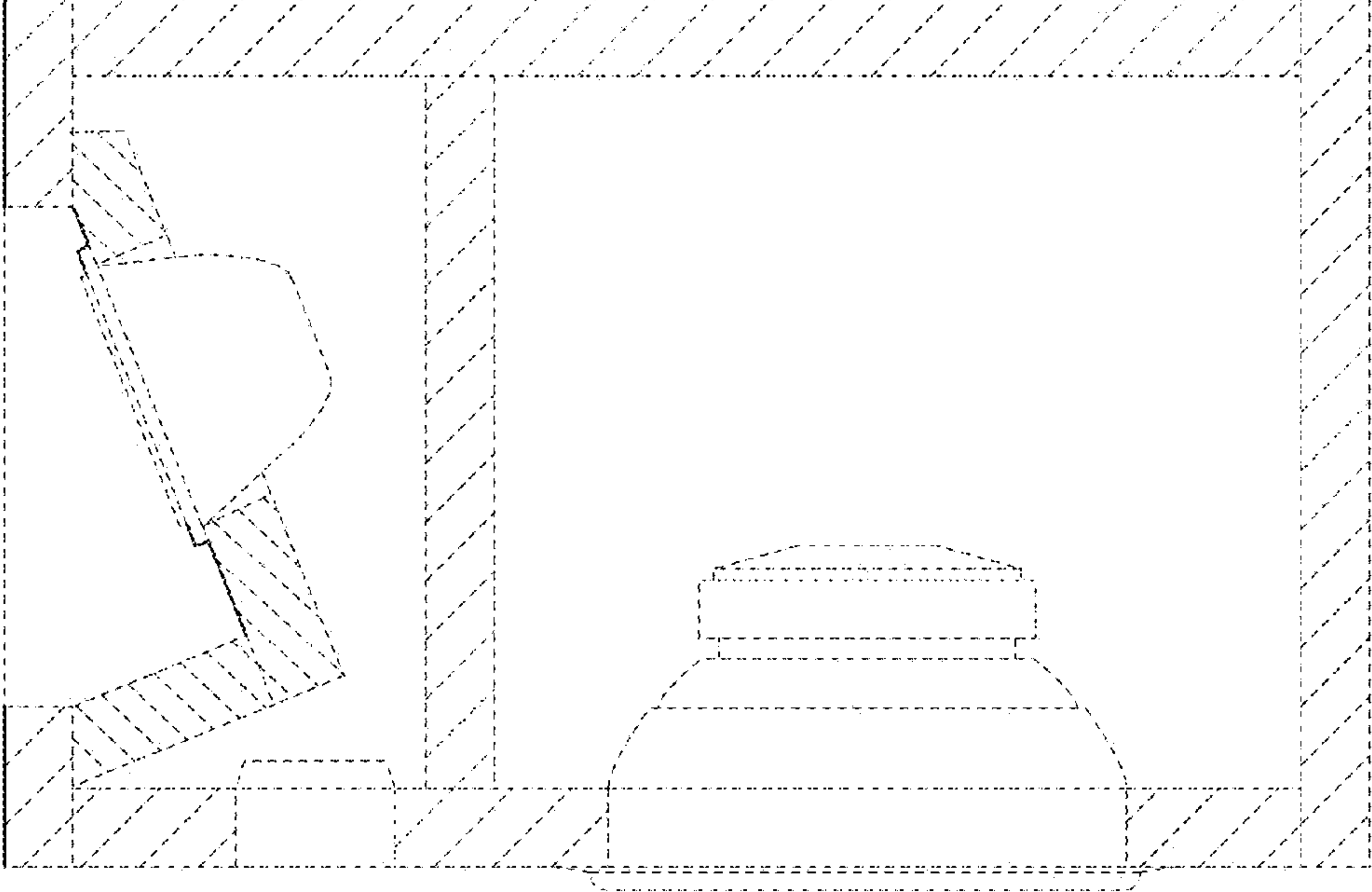


FIG. 5

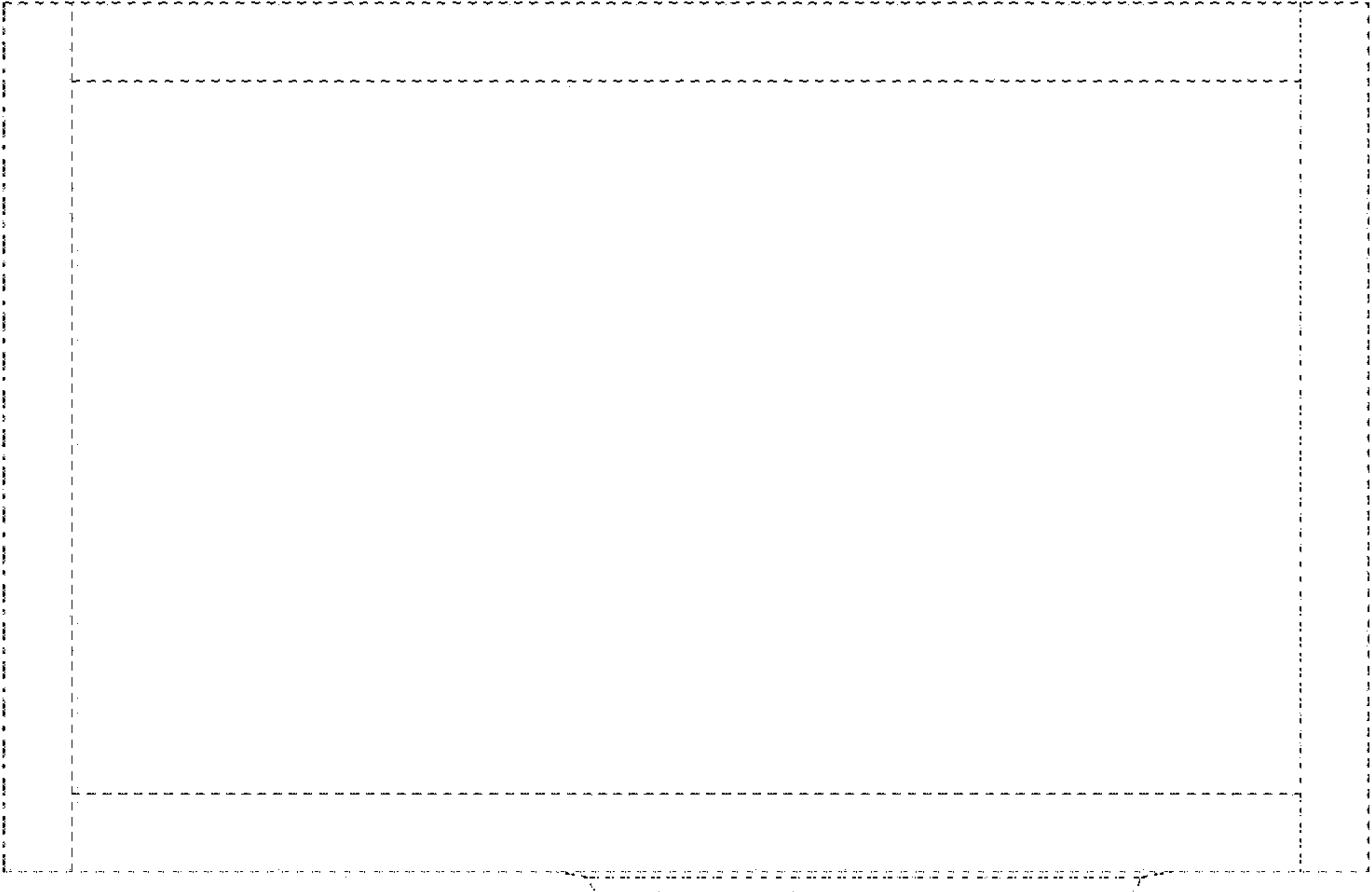


FIG. 4



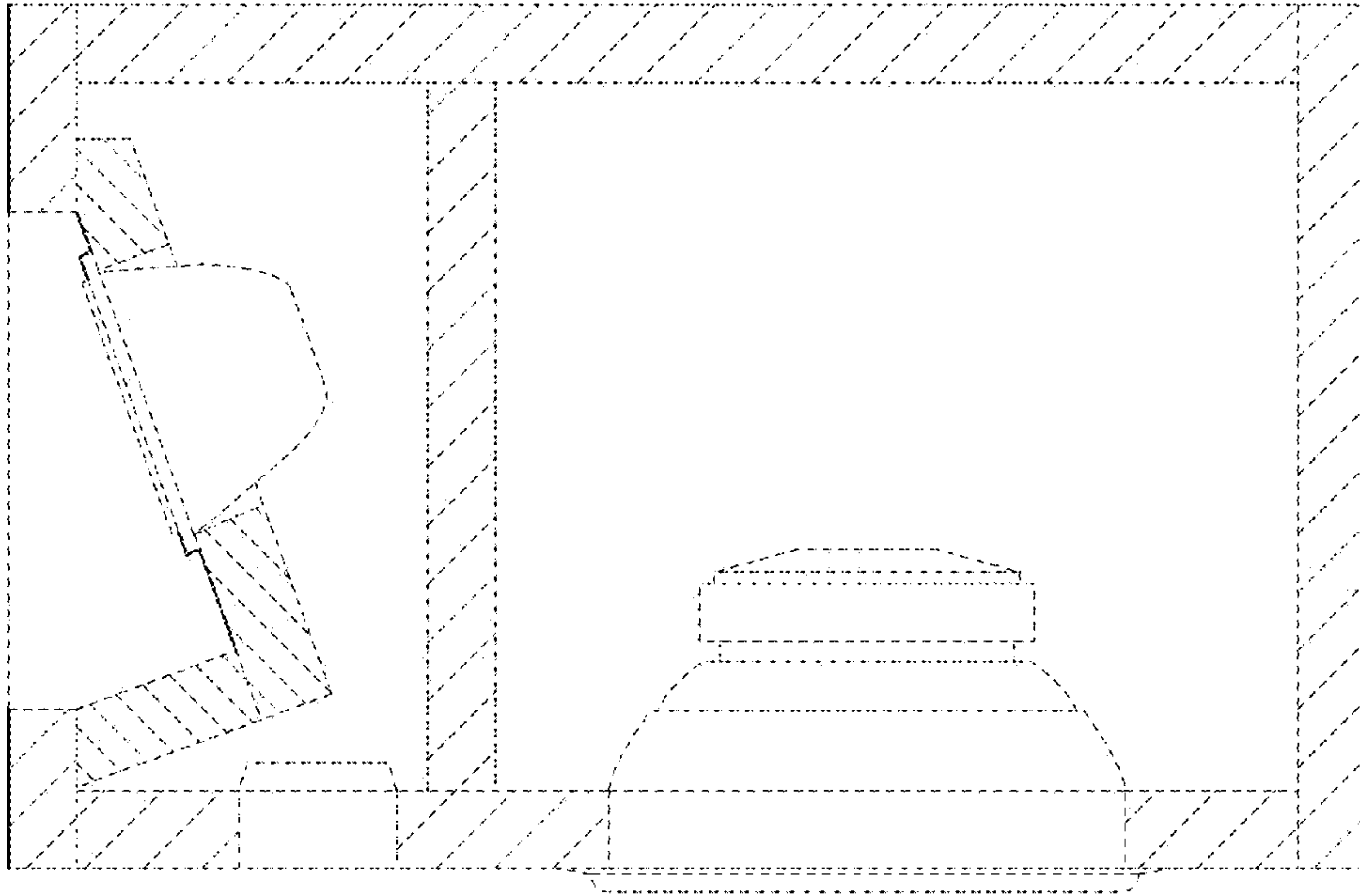


FIG. 6

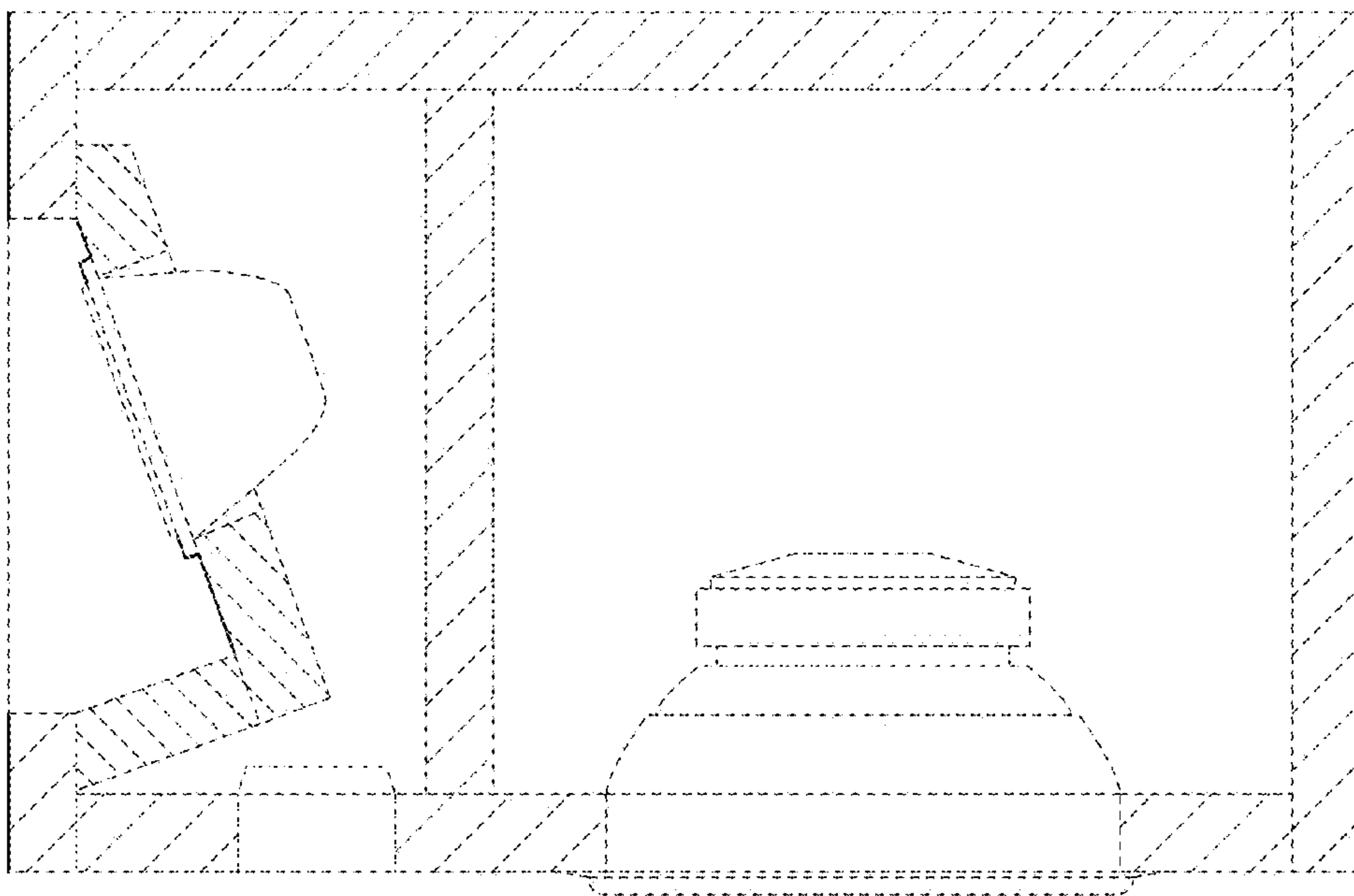


FIG. 7