

US00D764438S

(12) **United States Design Patent**
Pobeda

(10) **Patent No.:** **US D764,438 S**

(45) **Date of Patent:** **** Aug. 23, 2016**

(54) **SPEAKER BOX**

(71) Applicant: **NEXO**, Plailly (FR)

(72) Inventor: **Mathieu Pobeda**, Baron (FR)

(73) Assignee: **NEXO**, Plailly (FR)

(**) Term: **14 Years**

(21) Appl. No.: **29/501,990**

(22) Filed: **Sep. 10, 2014**

(30) **Foreign Application Priority Data**

Mar. 11, 2014 (EM) 002422717-0001

(51) **LOC (10) Cl.** **14-02**

(52) **U.S. Cl.**
USPC **D14/214**

(58) **Field of Classification Search**
USPC D14/214, 211, 204, 210, 208, 212, 213,
D14/172, 215, 216, 158, 221, 261; 181/156,
181/157, 159, 199; 381/386, 387, 388
CPC H05K 5/00
See application file for complete search history.

(56) **References Cited**

U.S. PATENT DOCUMENTS

D222,476 S *	10/1971	Yoshihiko	D14/210
D230,489 S *	2/1974	Everett	D14/214
D238,182 S *	12/1975	Kizawa	D14/210
3,941,207 A *	3/1976	Croup	H04R 1/021 181/156
D242,474 S *	11/1976	Croup	D14/211
D247,237 S *	2/1978	Croup	D14/211
D251,973 S *	5/1979	Klopfer	D14/214
4,161,230 A *	7/1979	Ripple	H04R 1/2811 181/148
D266,759 S *	11/1982	Jabara	D14/214
D269,872 S *	7/1983	Ishizaki	D14/214
D276,227 S *	11/1984	Nakamura	D14/214
4,493,389 A *	1/1985	Del Rosario	H04R 1/30 181/141

4,611,686 A *	9/1986	Kobayashi	H04R 1/2826 181/156
D294,494 S *	3/1988	Kountz	D14/214
D357,682 S *	4/1995	Edgell	D14/214
D369,356 S *	4/1996	Olson	D14/214
5,726,868 A *	3/1998	Koyama	B60K 37/04 312/7.1
D412,705 S *	8/1999	Laiacona	D14/172
D442,942 S *	5/2001	Tsuge	D14/214
D462,065 S *	8/2002	Silverstein	D14/214
D503,396 S *	3/2005	Hisatsune	D14/214
D508,041 S *	8/2005	Carbone	D14/214
7,096,995 B2 *	8/2006	Cox	H04R 1/02 181/148
D531,986 S *	11/2006	Azumi	D14/214
7,328,769 B1 *	2/2008	Adamson	H04R 1/026 181/144
D641,006 S *	7/2011	Anthony	D14/214
D643,018 S *	8/2011	Kim	D14/214
D659,119 S *	5/2012	Brunner	D14/209.1
D659,670 S *	5/2012	Goetzen	D14/194
D660,285 S *	5/2012	Lee	D14/214
D672,748 S *	12/2012	Burlingame, III	D14/214
D674,779 S *	1/2013	Joseph	D14/214
D692,864 S *	11/2013	Givre	D14/214
D698,336 S *	1/2014	Givre	D14/214
D716,260 S *	10/2014	Park	D14/210
D727,292 S *	4/2015	Anthony	D14/214
D729,768 S *	5/2015	Park	D14/214

* cited by examiner

Primary Examiner — Paula Greene

(74) *Attorney, Agent, or Firm* — Young & Thompson

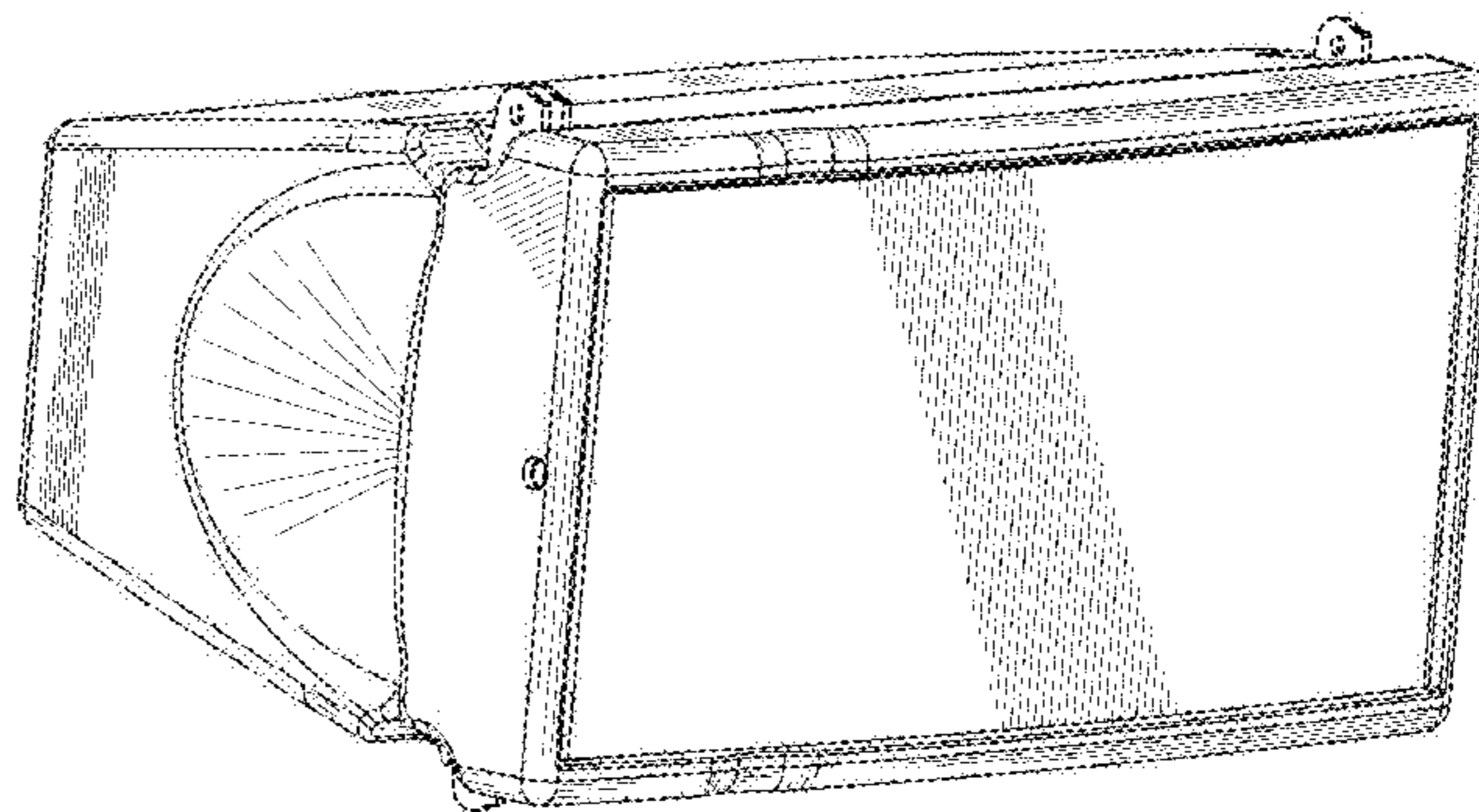
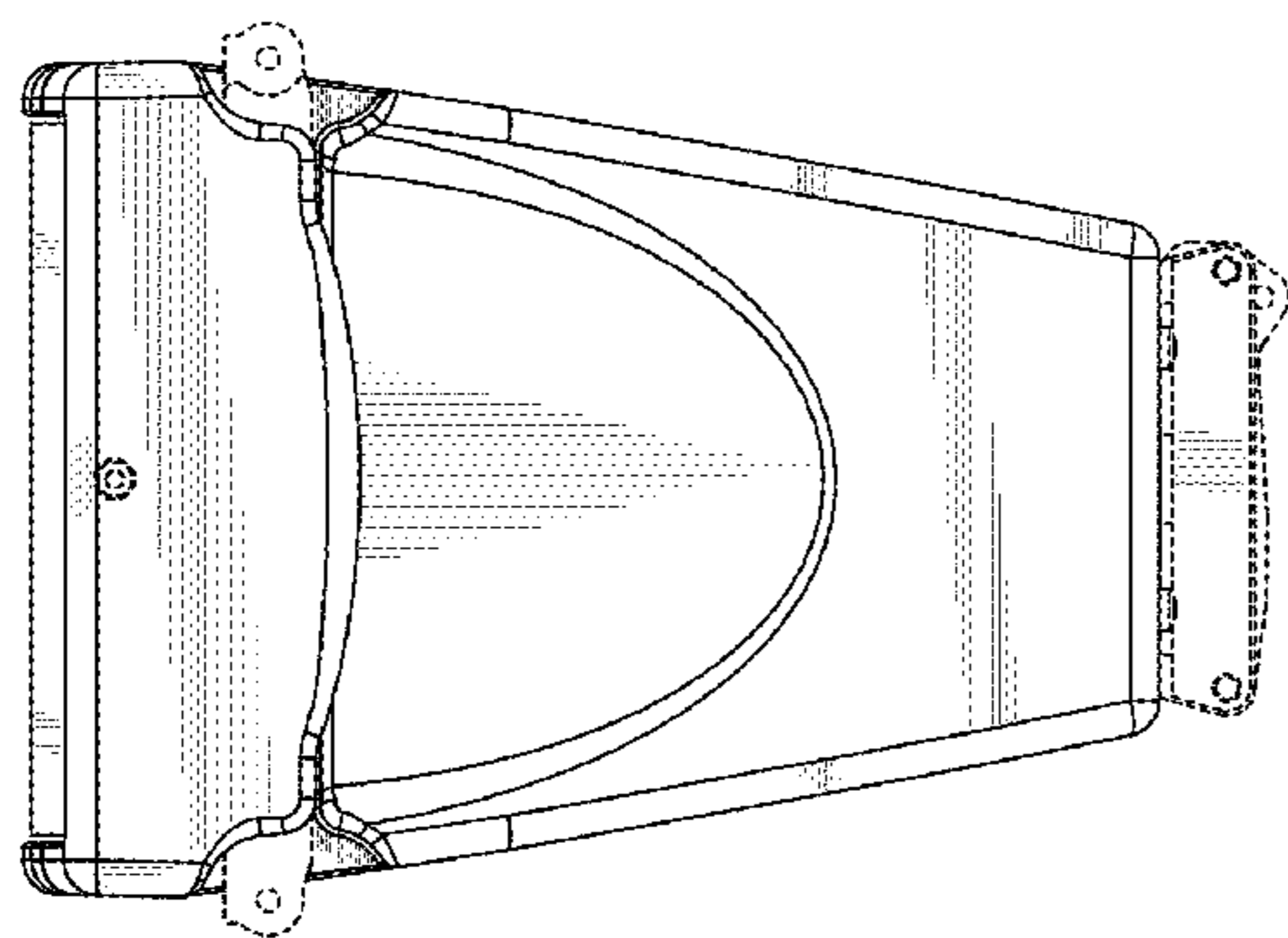
(57) **CLAIM**

The ornamental design for a speaker box, as shown and described.

DESCRIPTION

FIG. 1 is a front elevation view of a speaker box showing the new design,
FIG. 2 is a rear elevation view thereof;
FIG. 3 is a left side elevation view thereof;
FIG. 4 is a top plan view thereof;
FIG. 5 is a bottom plan view thereof;
FIG. 6 is a front, top, and right side perspective view thereof;
and,
FIG. 7 is a rear, top, and left perspective view thereof.
The portions of the design shown in broken lines show unclaimed subject matter.

1 Claim, 7 Drawing Sheets



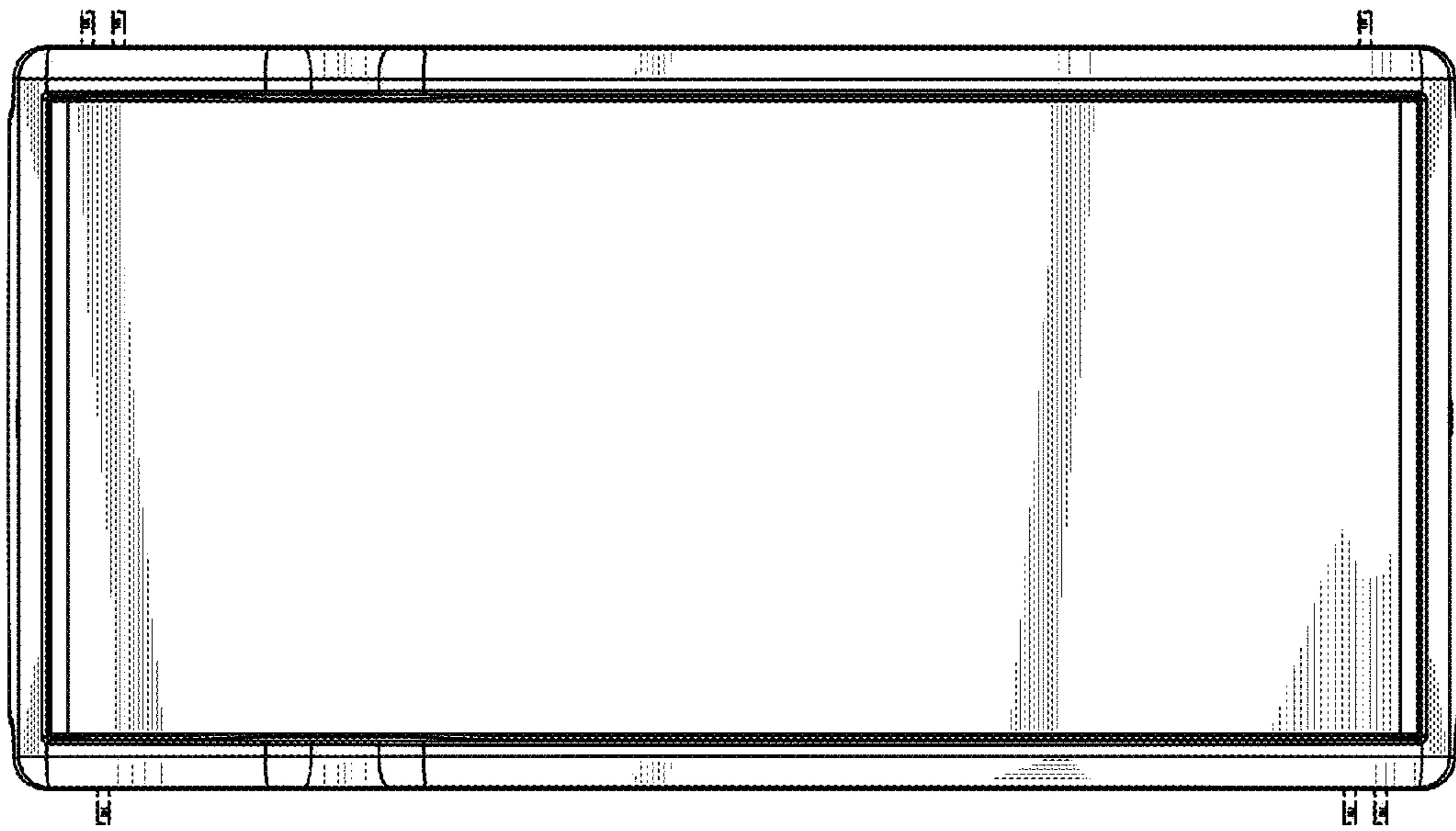


Fig. 1

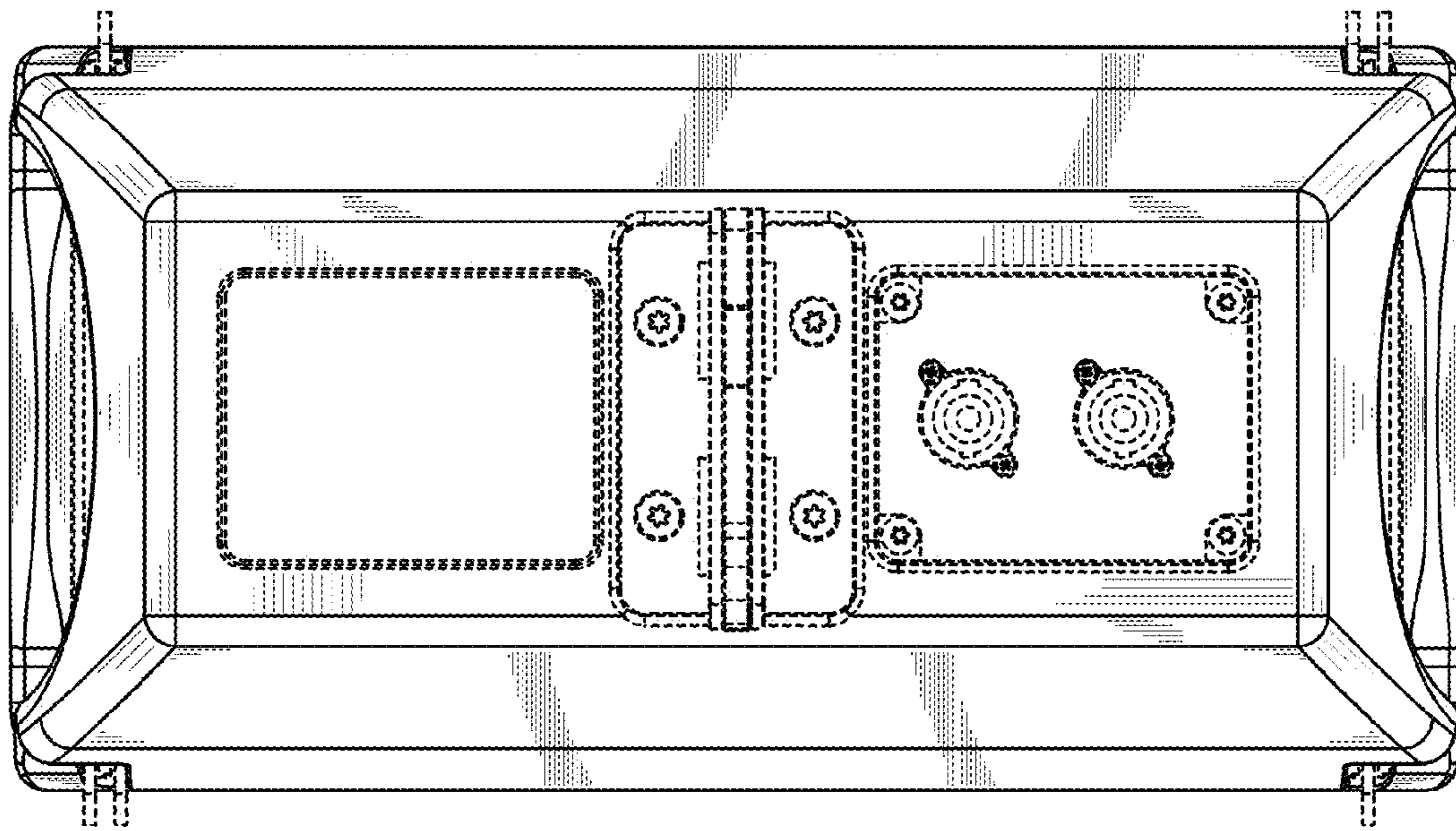


Fig. 2

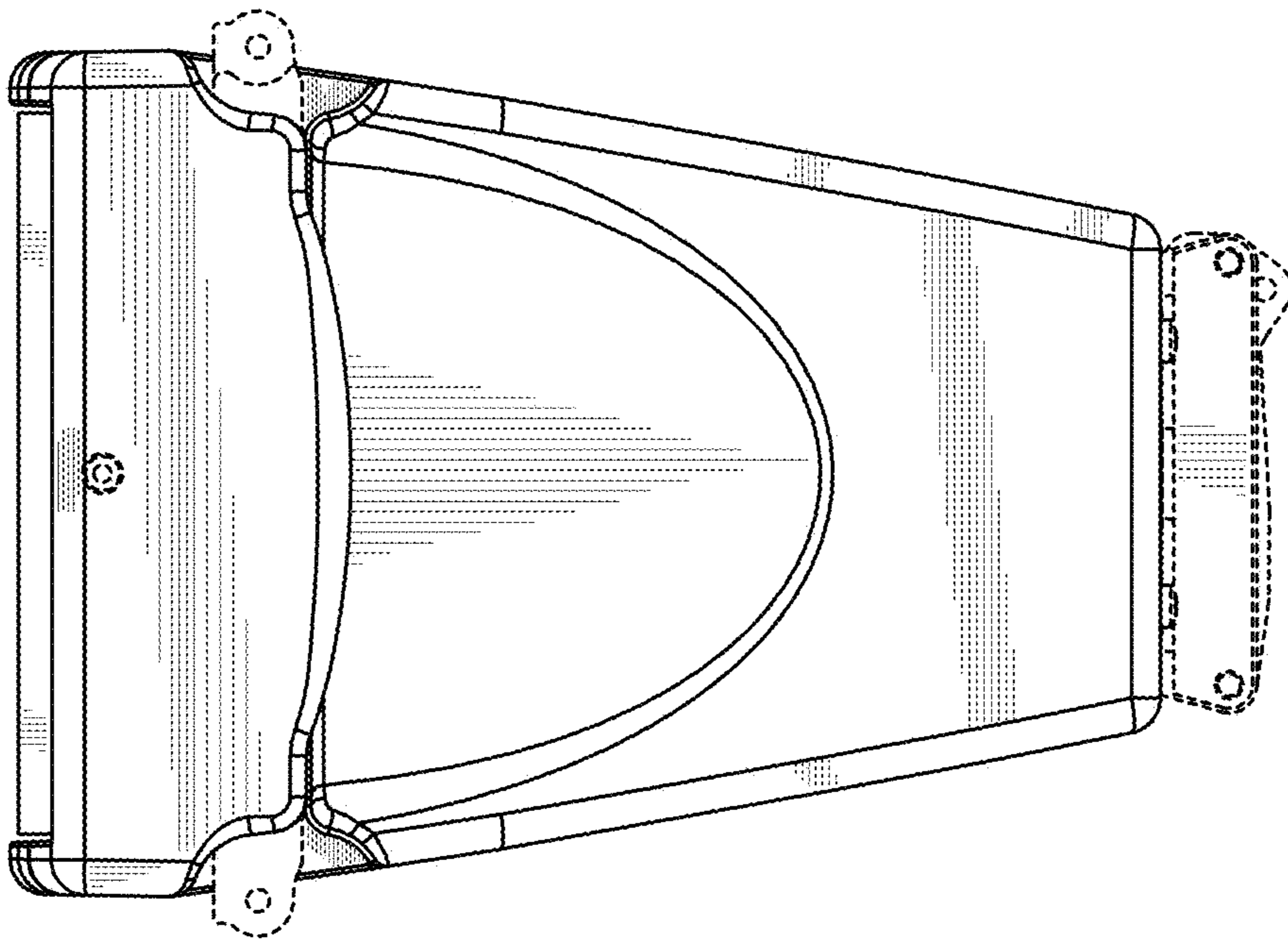


Fig. 3

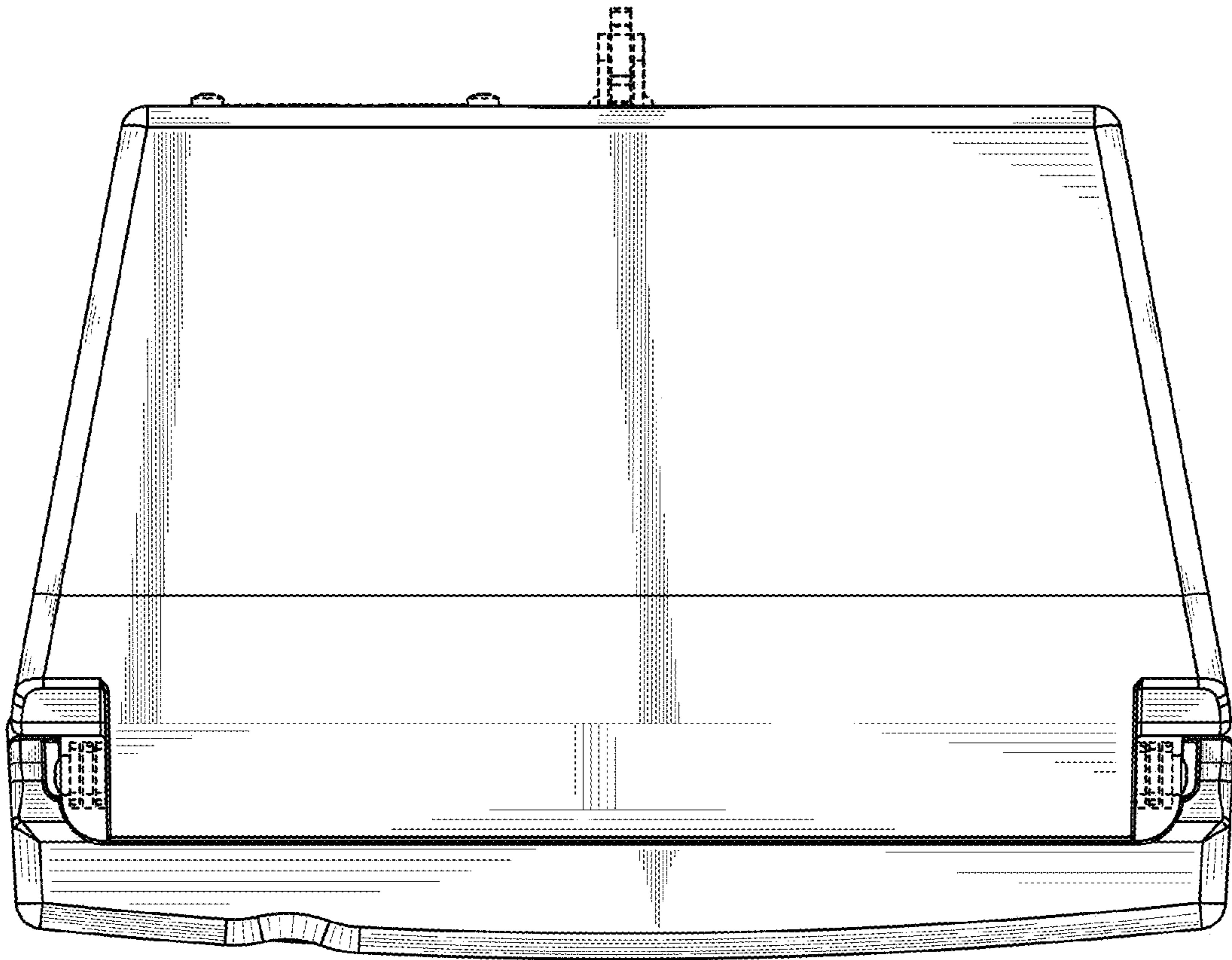


Fig. 4

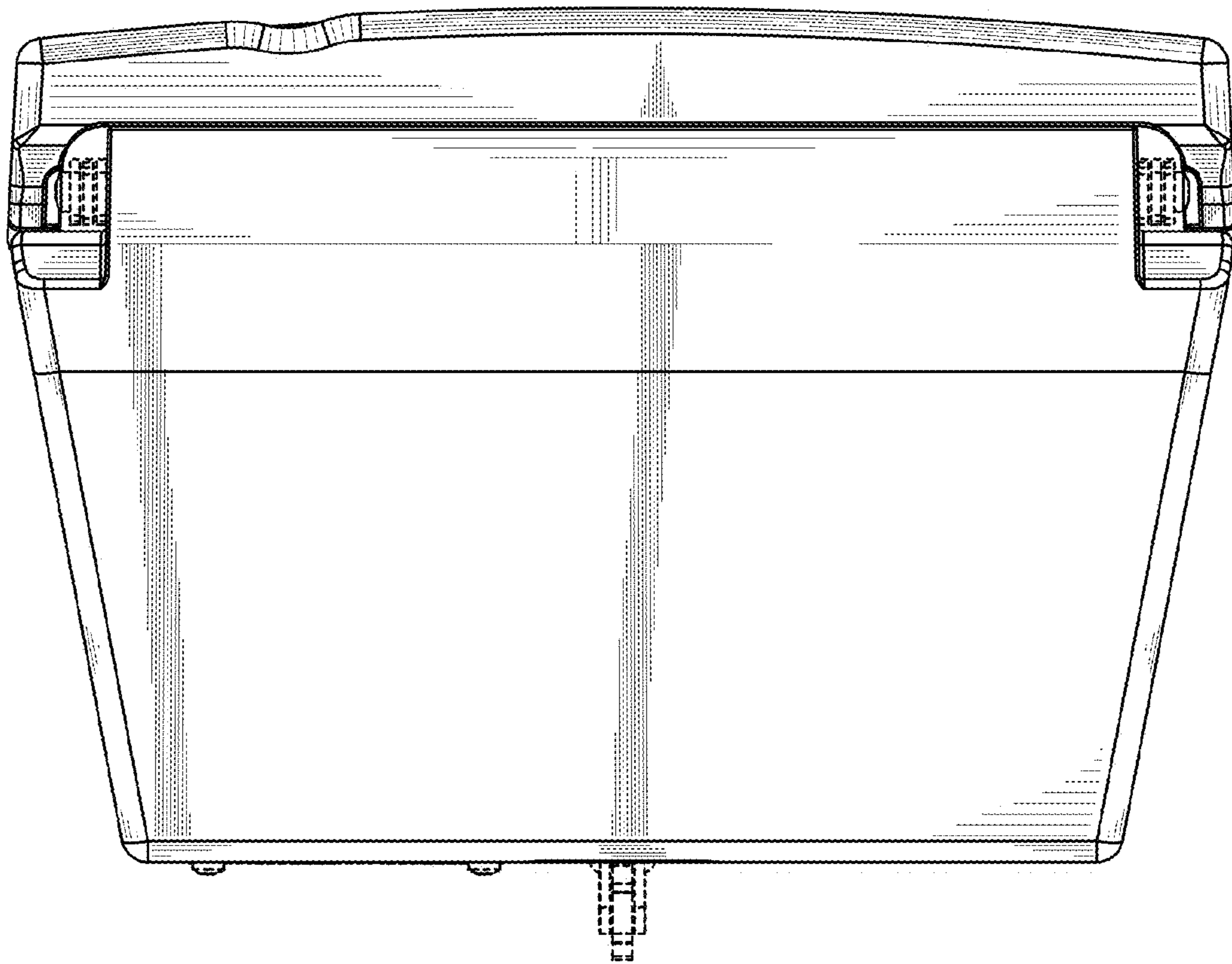


Fig. 5

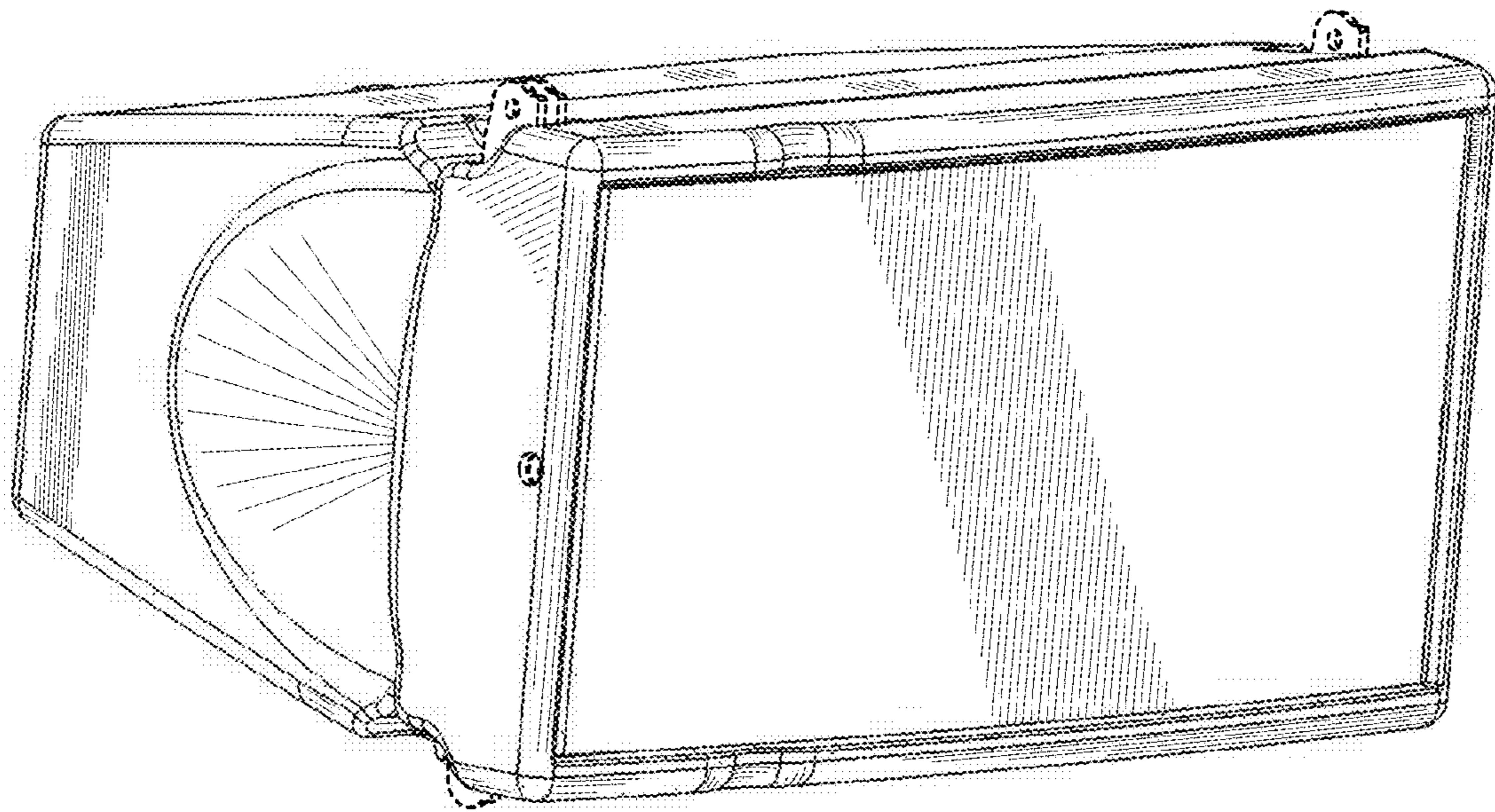


Fig. 6

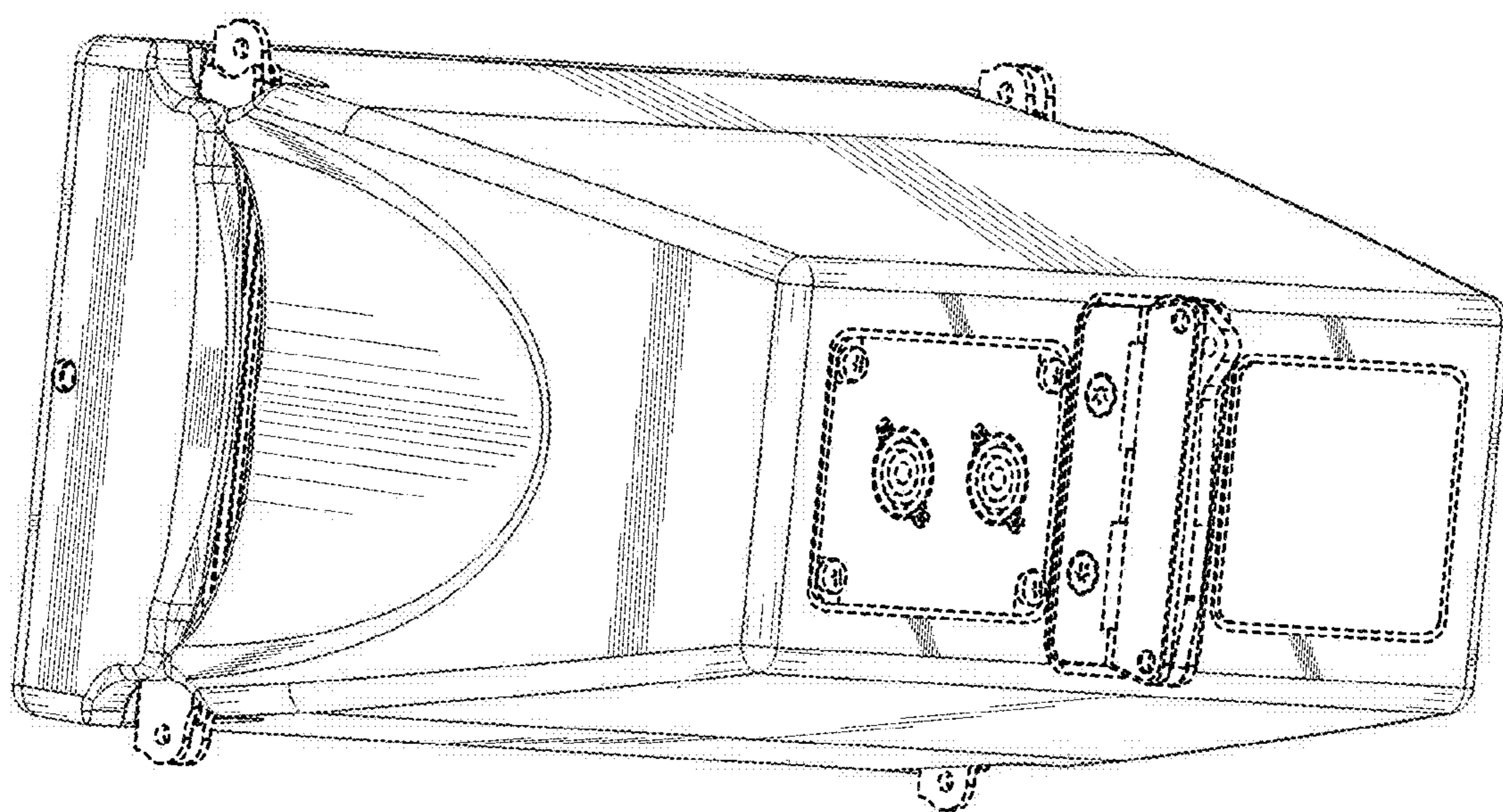


Fig. 7