



US00D764435S

(12) **United States Design Patent**
Brunner et al.

(10) **Patent No.:** **US D764,435 S**
(45) **Date of Patent:** **** Aug. 23, 2016**

(54) **GAMING HEADSET**

(71) Applicant: **Apple Inc.**, Cupertino, CA (US)

(72) Inventors: **Robert D. Brunner**, San Francisco, CA (US); **Christopher Kuh**, San Francisco, CA (US)

(73) Assignee: **Apple Inc.**, Cupertino, CA (US)

(**) Term: **14 Years**

(21) Appl. No.: **29/504,827**

(22) Filed: **Oct. 9, 2014**

Related U.S. Application Data

(60) Continuation of application No. 29/464,539, filed on Aug. 18, 2013, now Pat. No. Des. 716,760, which is a division of application No. 29/426,082, filed on Jun. 29, 2012, now Pat. No. Des. 691,112, which is a continuation-in-part of application No. 29/410,585, filed on Jan. 9, 2012, now Pat. No. Des. 698,749.

(51) **LOC (10) Cl.** **14-01**

(52) **U.S. Cl.**
USPC **D14/205**

(58) **Field of Classification Search**
USPC D14/205, 206, 375; D29/112; 2/209; 181/129, 130, 135; 379/430, 431; 381/380, 381, 370, 374
CPC H04R 25/00; H04R 1/1066
See application file for complete search history.

(56) **References Cited**

U.S. PATENT DOCUMENTS

1,066,511 A 7/1913 Markoff
2,149,341 A 3/1939 Harrison
3,104,398 A 9/1963 Palmaer
D203,677 S 2/1966 Spilman
D244,300 S 5/1977 Besasie
4,173,715 A 11/1979 Gosman

D254,183 S 2/1980 Doodson
D254,876 S 5/1980 Reitenga
4,455,457 A * 6/1984 Akira 181/141
4,609,786 A 9/1986 Omoto
4,634,816 A 1/1987 O'Malley
4,821,323 A * 4/1989 Papiernik H04R 1/1066
381/151

(Continued)

FOREIGN PATENT DOCUMENTS

GB 2072035 2/1984
JP D1318386 5/1986

(Continued)

OTHER PUBLICATIONS

Search Report and Written Opinion for PCT Application No. PCT/11/67045 dated Sep. 27, 2012.

(Continued)

Primary Examiner — Paula Greene

(74) *Attorney, Agent, or Firm* — Sterne, Kessler, Goldstein & Fox P.L.L.C.

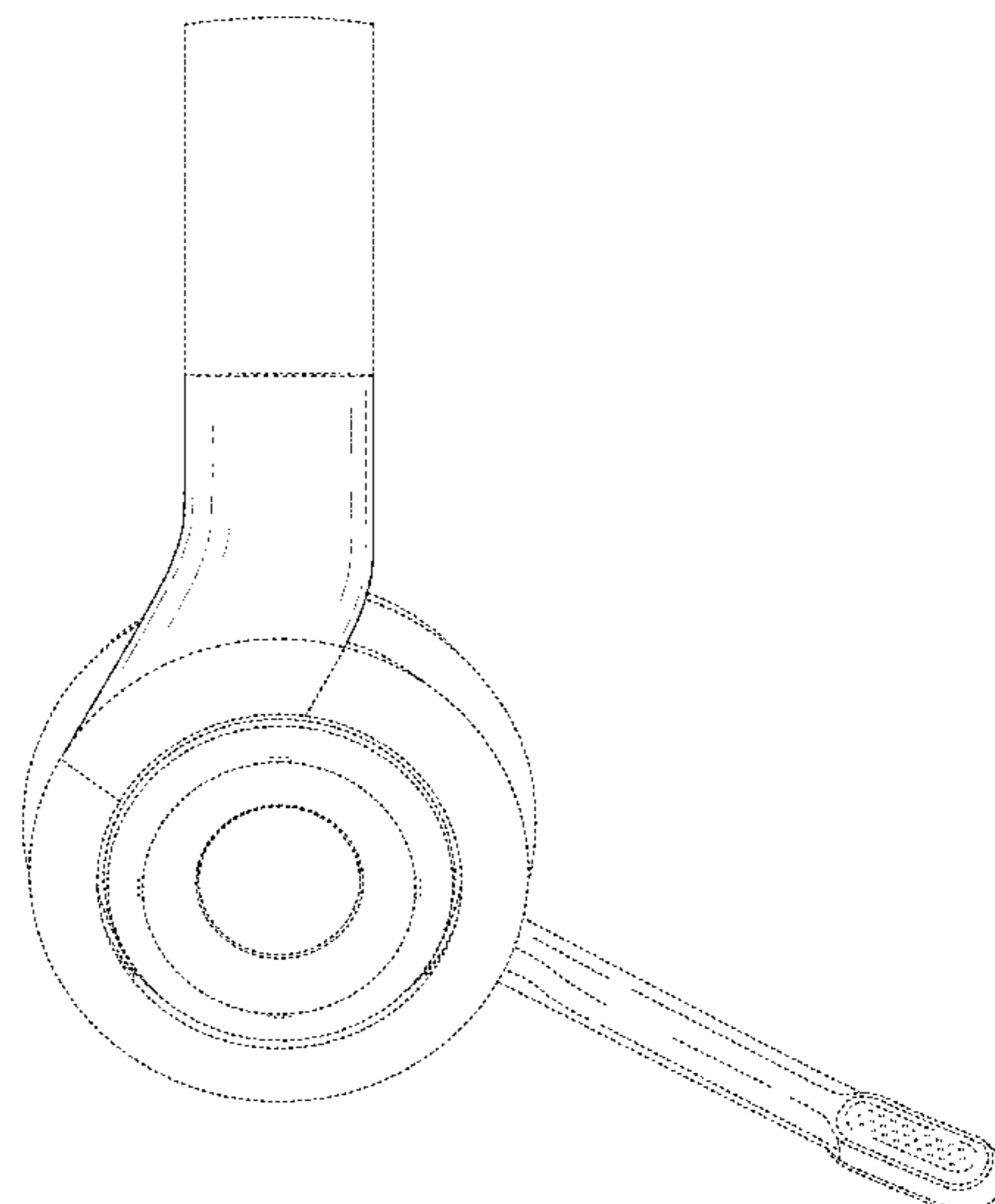
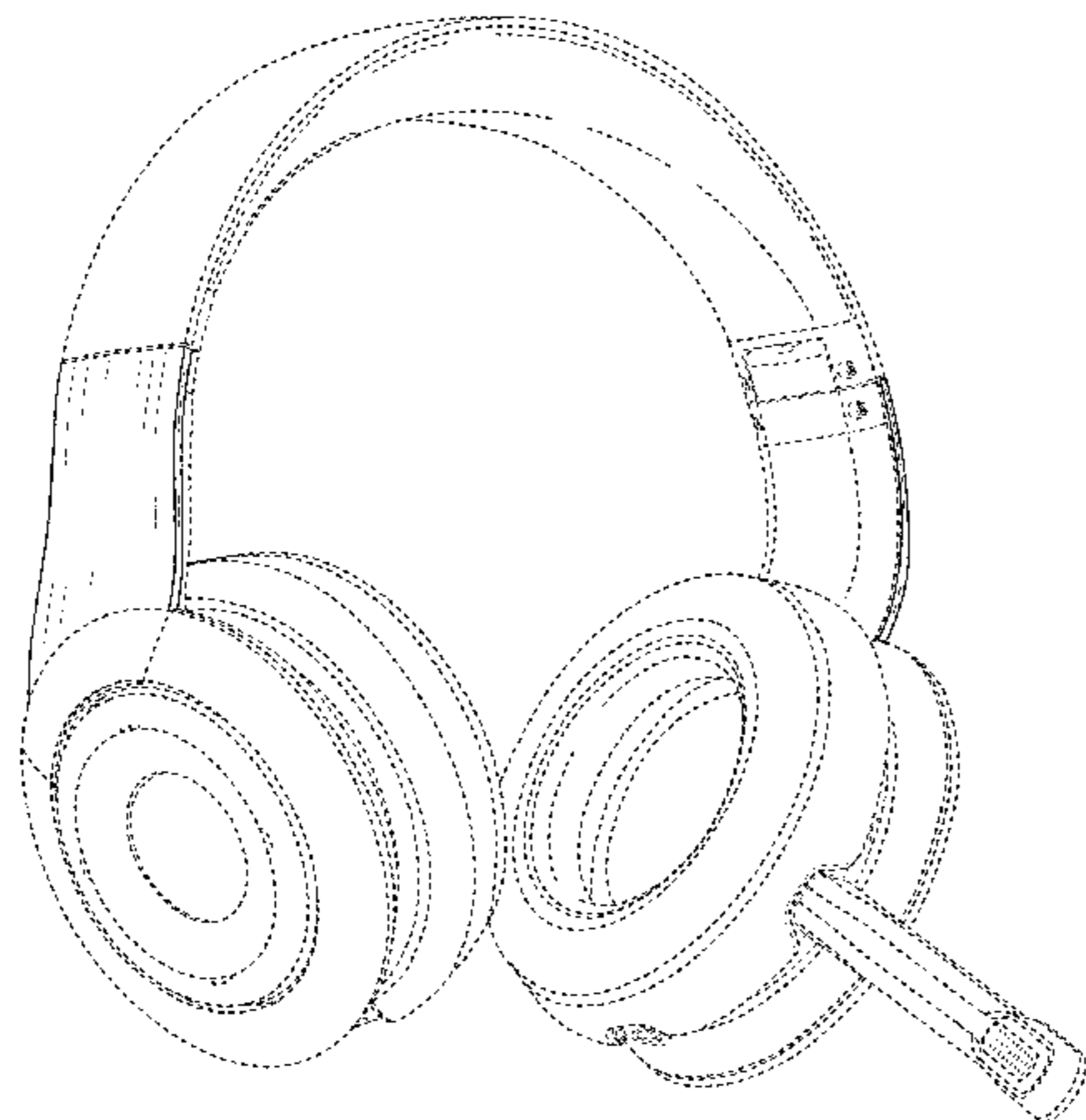
(57) **CLAIM**

The ornamental design for a gaming headset, as shown and described.

DESCRIPTION

FIG. 1 is a perspective view of a gaming headset showing the claimed design;
FIG. 2 is a rear view thereof;
FIG. 3 is a front view thereof;
FIG. 4 is a left side view thereof;
FIG. 5 is a right side view thereof;
FIG. 6 is a top view thereof; and,
FIG. 7 is a bottom view thereof.
The broken lines in the figures show portions of the gaming headset that form no part of the claimed design.

1 Claim, 7 Drawing Sheets



(56)

References Cited

U.S. PATENT DOCUMENTS

4,875,233 A 10/1989 Derhaag
 D313,092 S 12/1990 Nilsson
 5,018,599 A 5/1991 Dohi
 5,035,005 A 7/1991 Hung
 5,081,599 A * 1/1992 Saito 702/183
 D328,074 S 7/1992 Yamazaki
 D328,461 S 8/1992 Daido
 D336,646 S * 6/1993 Yamazaki et al. D14/205
 D338,010 S 8/1993 Yamatogi
 D351,172 S 10/1994 Nakamura
 D358,389 S 5/1995 Isono
 D375,312 S * 11/1996 Kanno D14/205
 D375,825 S 11/1996 Whidden
 D403,128 S 12/1998 Scanlon
 D420,356 S 2/2000 Suzuki
 D422,592 S 4/2000 Deguchi
 6,081,604 A 6/2000 Hikichi
 D430,140 S 8/2000 Roman
 D435,249 S 12/2000 Yasutomi
 6,163,615 A 12/2000 Callahan
 6,195,839 B1 3/2001 Patterson
 D457,512 S 5/2002 Yoneda
 6,449,806 B1 9/2002 Engelhard
 D468,723 S 1/2003 Pham
 D484,485 S 12/2003 Matsuoka
 6,654,966 B2 12/2003 Rolla
 D484,868 S 1/2004 Suzuki
 6,678,897 B2 1/2004 Lindgren
 D491,163 S 6/2004 Green
 D502,938 S 3/2005 Tokioka
 D504,414 S 4/2005 Yoshida
 D504,883 S 5/2005 Jacobson
 D512,381 S 12/2005 Sirichai
 D512,708 S 12/2005 Harris, Jr.
 D512,981 S 12/2005 Jacobson
 D514,086 S 1/2006 Skulley
 D517,043 S 3/2006 Jacobson
 D517,528 S 3/2006 Skulley
 7,020,902 B1 * 4/2006 Tyler A61F 11/14
 2/209
 7,072,483 B2 7/2006 Lenhard-Backhaus
 D532,407 S 11/2006 Motoishi
 D534,155 S 12/2006 Obata
 D534,156 S 12/2006 Obata
 7,172,052 B2 2/2007 Lenhard-Backhaus
 D539,788 S 4/2007 Thompson
 D540,301 S 4/2007 Obata
 D540,303 S 4/2007 Rausch
 D540,778 S 4/2007 Thompson
 D541,255 S 4/2007 Taylor
 D541,256 S * 4/2007 Rausch et al. D14/205
 D541,257 S 4/2007 Thursfield
 D552,077 S 10/2007 Brunner
 D557,684 S 12/2007 Pundsack
 D560,654 S 1/2008 Feng
 D563,382 S 3/2008 Wikel
 D563,995 S 3/2008 Deguchi
 D582,890 S 12/2008 Koza
 D584,715 S 1/2009 Brennwald
 D585,870 S 2/2009 Zheng
 D585,871 S 2/2009 Lee
 D585,872 S 2/2009 Lee
 D588,098 S 3/2009 Kurihara
 D588,100 S 3/2009 Densho
 D591,263 S 4/2009 Shimizu
 D592,182 S 5/2009 Sanguinetti
 D592,640 S 5/2009 Tkachuk
 D593,995 S 6/2009 Shimizu
 D600,674 S 9/2009 Brennwald
 D602,906 S 10/2009 Groves
 D603,370 S 11/2009 Suzuki
 D603,371 S 11/2009 Boateng
 D616,865 S 6/2010 Marchand
 D617,769 S 6/2010 Birger
 D617,771 S 6/2010 Groves

7,735,154 B2 6/2010 Gellis
 D625,705 S 10/2010 Ohori
 D632,668 S 2/2011 Brunner
 D633,896 S 3/2011 Kondo
 D635,959 S 4/2011 Hutchieson
 D637,176 S 5/2011 Brunner
 D637,998 S 5/2011 Brunner
 D637,999 S 5/2011 Brunner
 D638,000 S 5/2011 Hoggarth
 D639,776 S 6/2011 Arimoto
 D641,725 S 7/2011 Chong
 D648,330 S 11/2011 Fischer
 D652,017 S 1/2012 Groves
 D652,405 S 1/2012 Lee
 D652,406 S 1/2012 Lee
 D654,471 S 2/2012 Fischer
 D654,472 S 2/2012 Fischer
 D657,344 S 4/2012 Brunner
 D657,345 S 4/2012 Brunner
 D657,776 S 4/2012 Lee
 D660,823 S 5/2012 Hardi
 D660,824 S 5/2012 Hardi
 D660,826 S 5/2012 Brunner
 D662,490 S 6/2012 McSweyn
 D663,716 S 7/2012 Hardi
 D673,520 S 1/2013 Tan
 D674,767 S 1/2013 Brunner
 D677,647 S 3/2013 Lee
 D677,648 S 3/2013 Lee
 D683,329 S 5/2013 Hagelin
 D689,843 S 9/2013 Lee
 D690,284 S * 9/2013 Brennwald D14/205
 D691,109 S * 10/2013 Hardi et al. D14/205
 D691,112 S 10/2013 Brunner
 D691,579 S 10/2013 Lee
 D692,410 S * 10/2013 Brunner et al. D14/206
 D698,749 S * 2/2014 Brunner et al. D14/206
 D704,163 S 5/2014 Brunner
 D706,242 S * 6/2014 Yang D14/205
 D709,860 S * 7/2014 Brunner et al. D14/205
 D712,375 S * 9/2014 Miyake et al. D14/205
 D715,255 S * 10/2014 Nunez et al. D14/205
 D716,760 S * 11/2014 Brunner et al. D14/206
 D717,276 S * 11/2014 Zhou D14/205
 D727,286 S * 4/2015 Galler D14/205
 D732,503 S * 6/2015 Brunner et al. D14/205
 2003/0182713 A1 10/2003 Rolla
 2004/0216946 A1 11/2004 Lenhard-Backhaus
 2005/0053255 A1 3/2005 Harris
 2005/0226452 A1 10/2005 Amae
 2006/0001307 A1 1/2006 Embach
 2006/0062417 A1 3/2006 Tachikawa
 2006/0104471 A1 5/2006 Tsunoda
 2008/0056525 A1 3/2008 Fujiwara
 2009/0220118 A1 9/2009 Meier
 2010/0128884 A1 5/2010 Sapiejewski
 2010/0284558 A1 11/2010 Kimura
 2011/0206216 A1 8/2011 Brunner
 2013/0343591 A1 12/2013 Brunner
 2014/0211976 A1 7/2014 Brunner

FOREIGN PATENT DOCUMENTS

JP D1406347 10/1987
 JP D1430542 3/1988
 KR 30-0476152 1/2008
 WO 2007103561 9/2007
 WO 2012094176 7/2012

OTHER PUBLICATIONS

Office Action dated Dec. 10, 2010 for Russian Patent Application No. 2010501890.

(56)

References Cited

OTHER PUBLICATIONS

Search Report dated Mar. 31, 2011 for Taiwan patent Application No. 099303306.

Taiwan Office Action for Taiwan Application No. 101303990 dated Aug. 26, 2013.

Taiwan Office Action for Taiwan Application No. 101301117 dated Aug. 26, 2013.

Taiwan Office Action for Taiwan Application No. 102302000 dated Aug. 26, 2013.

* cited by examiner

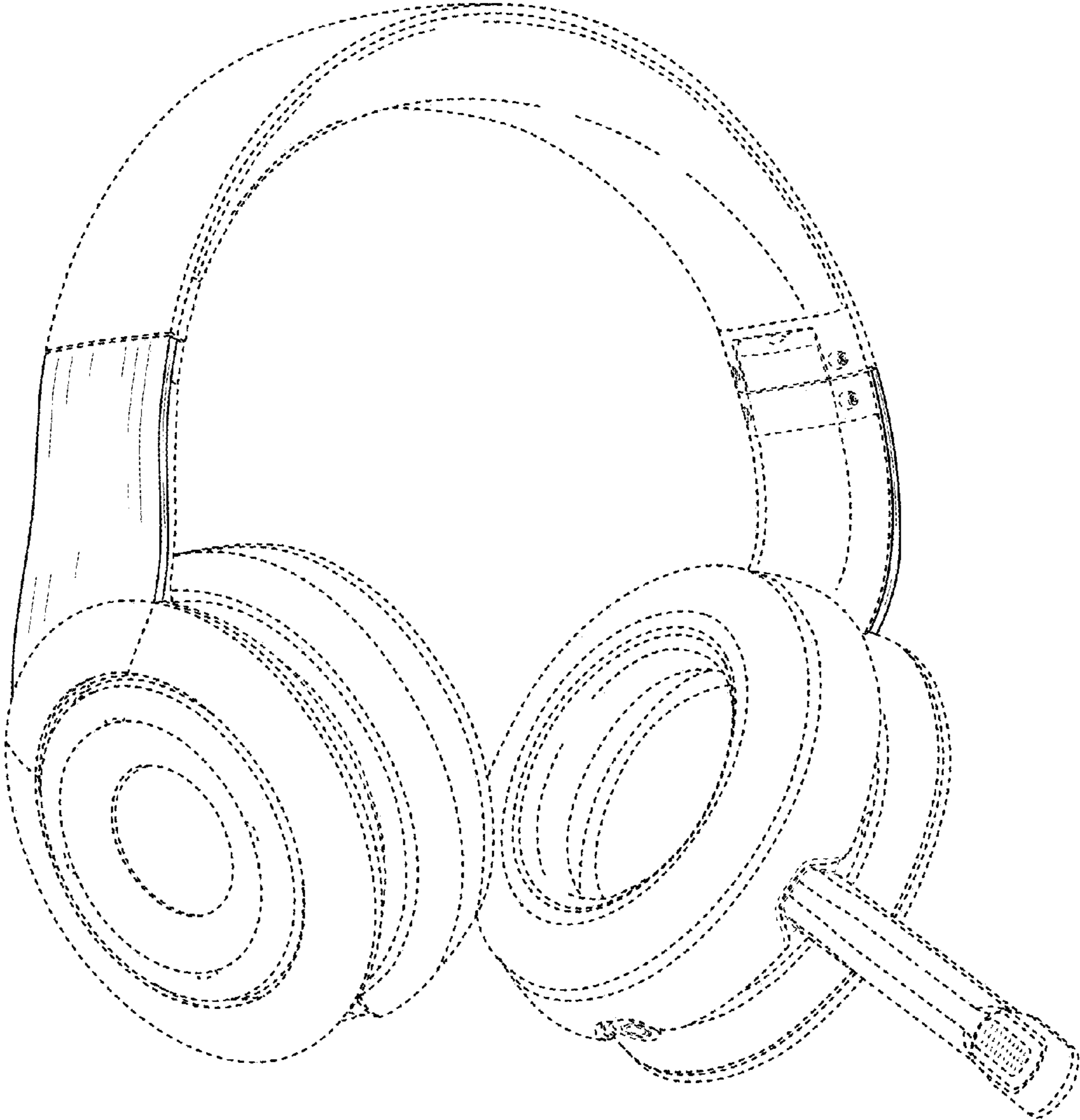


FIG. 1

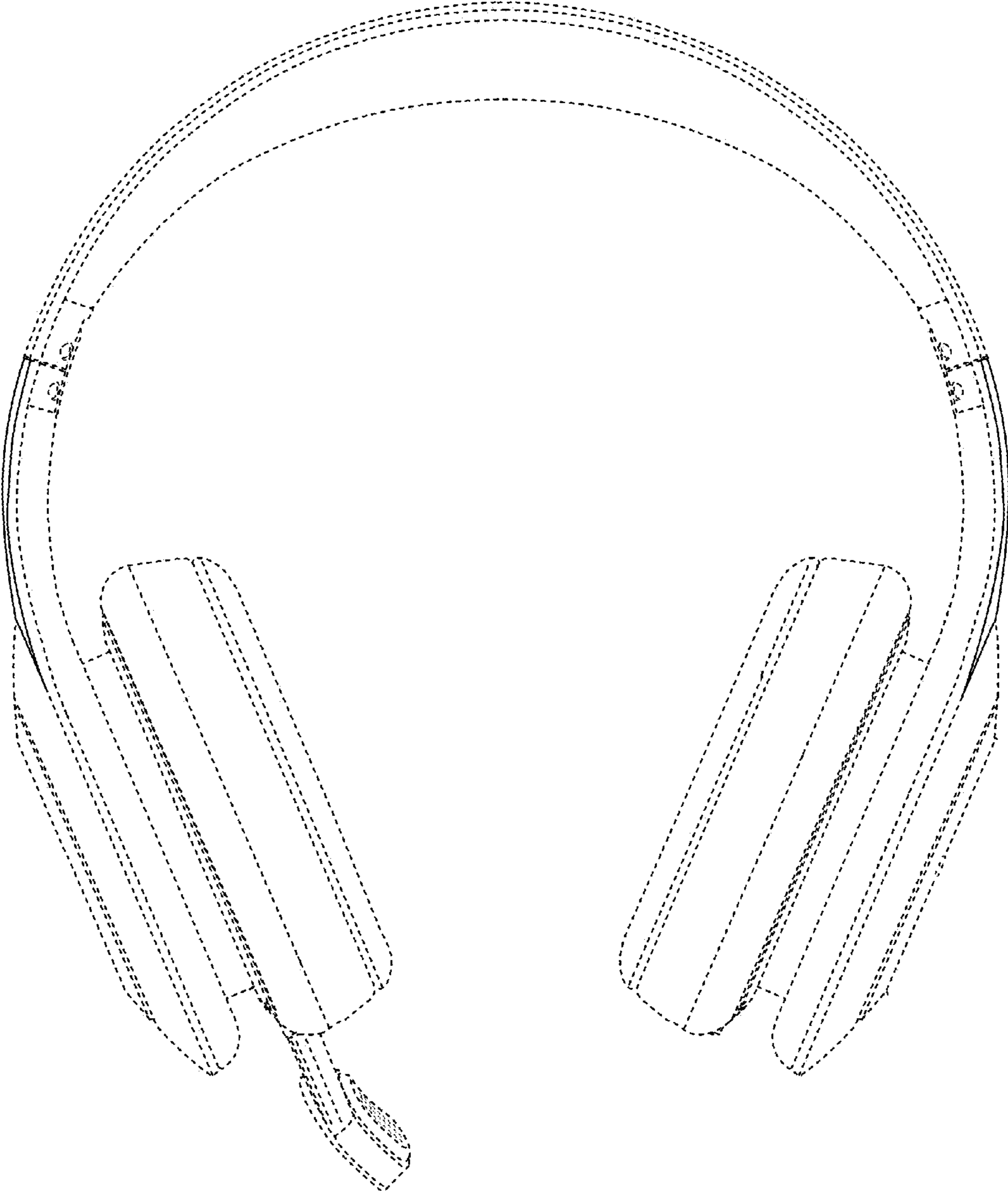


FIG. 2

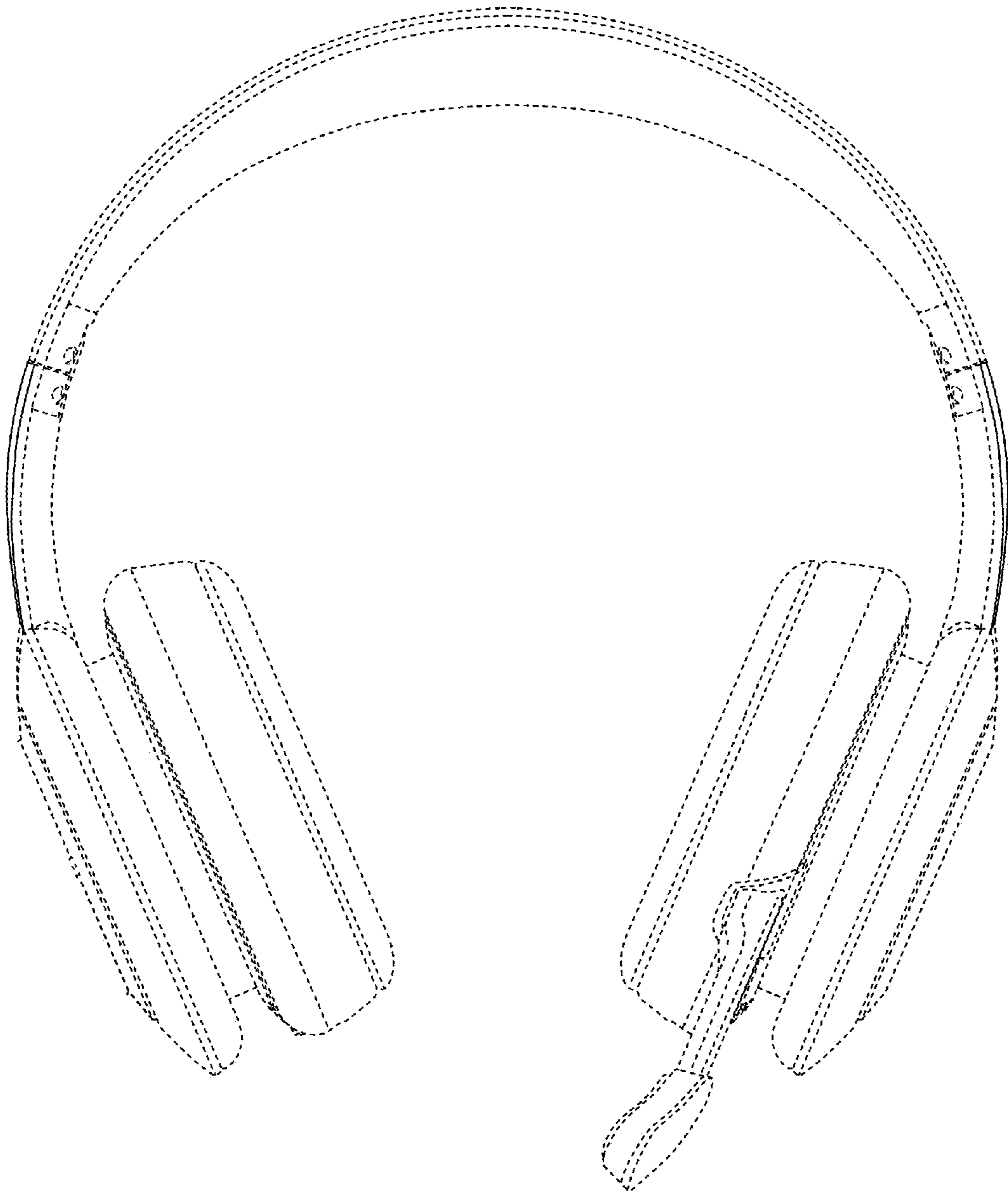


FIG. 3

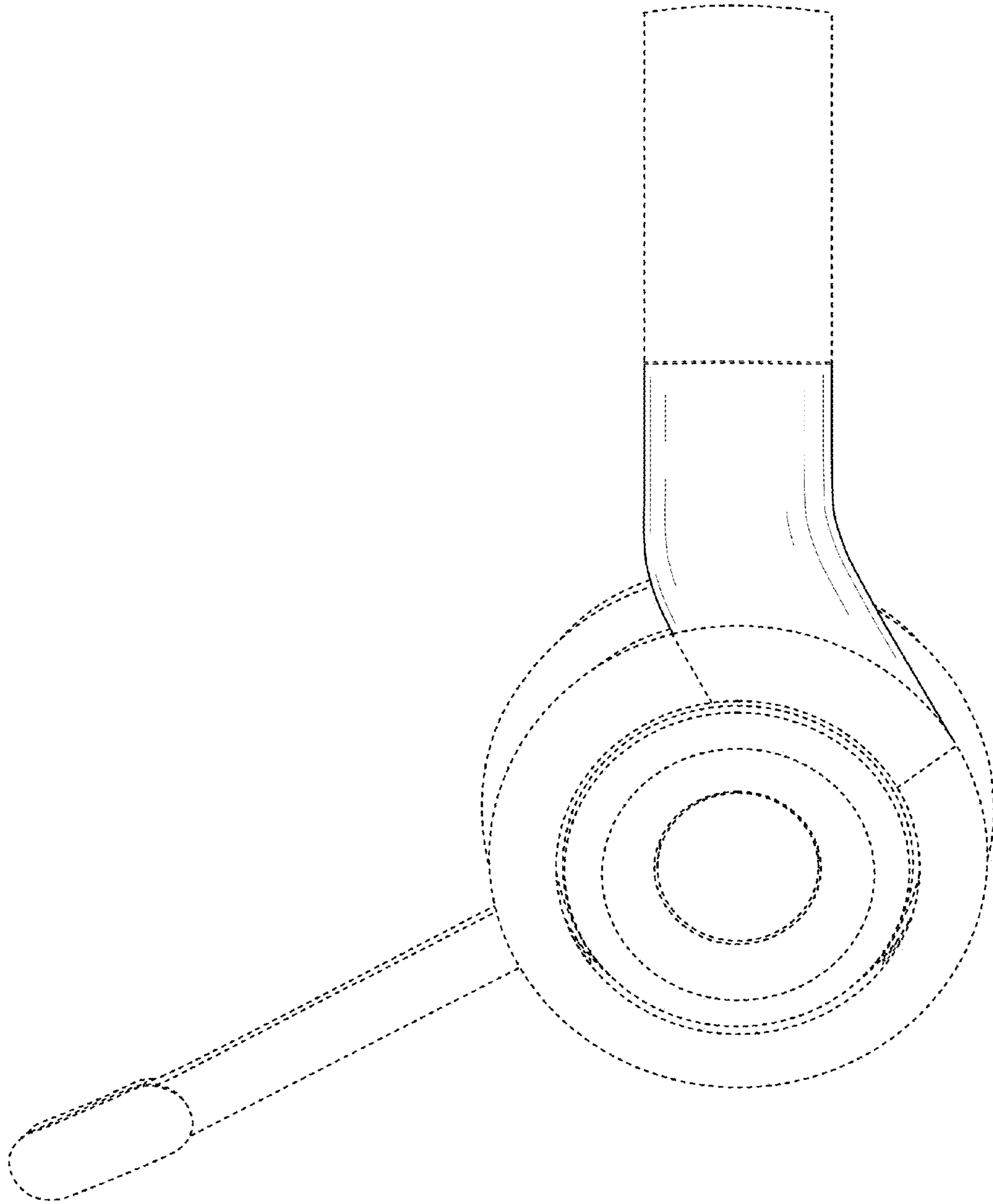


FIG. 4

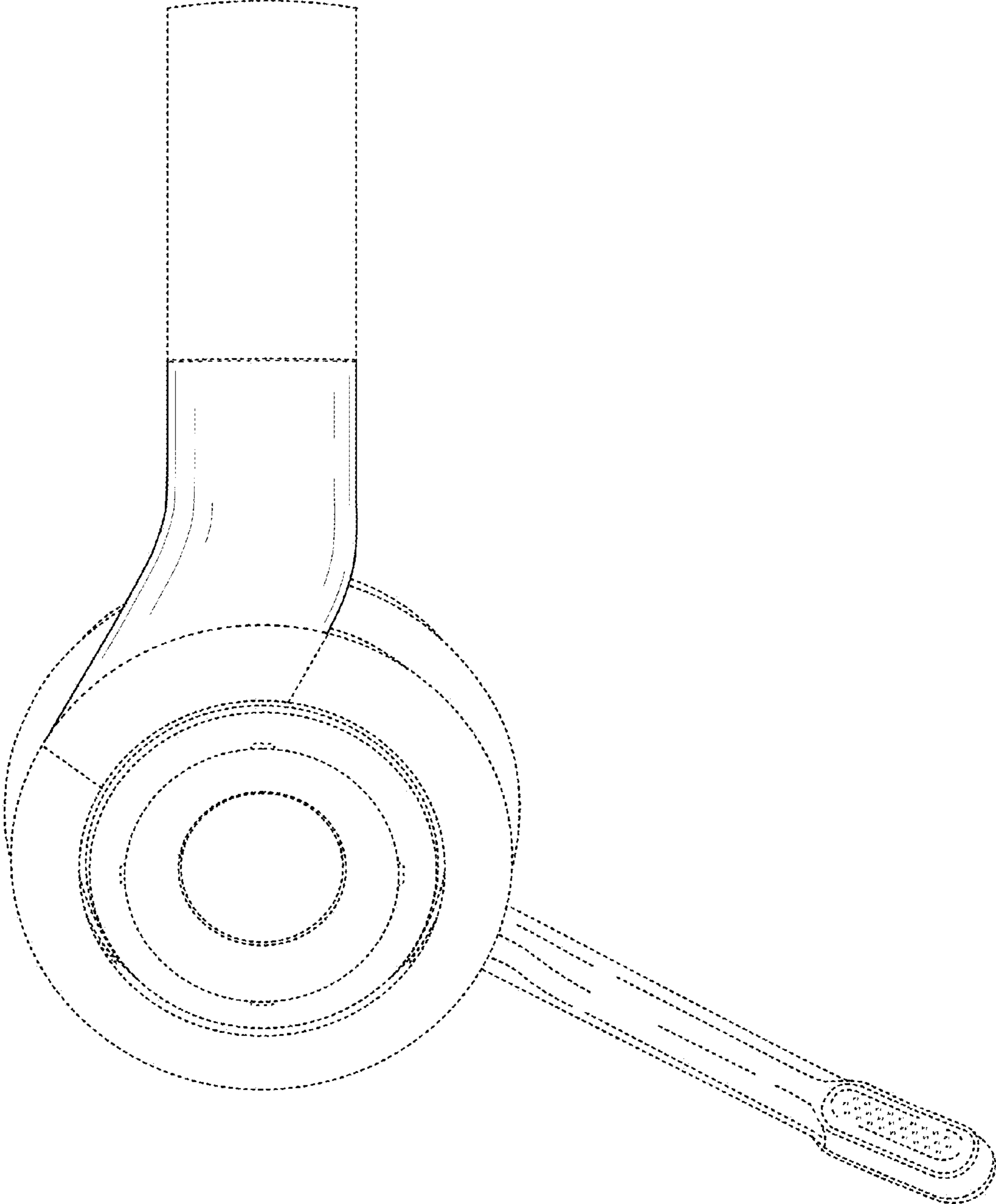


FIG. 5

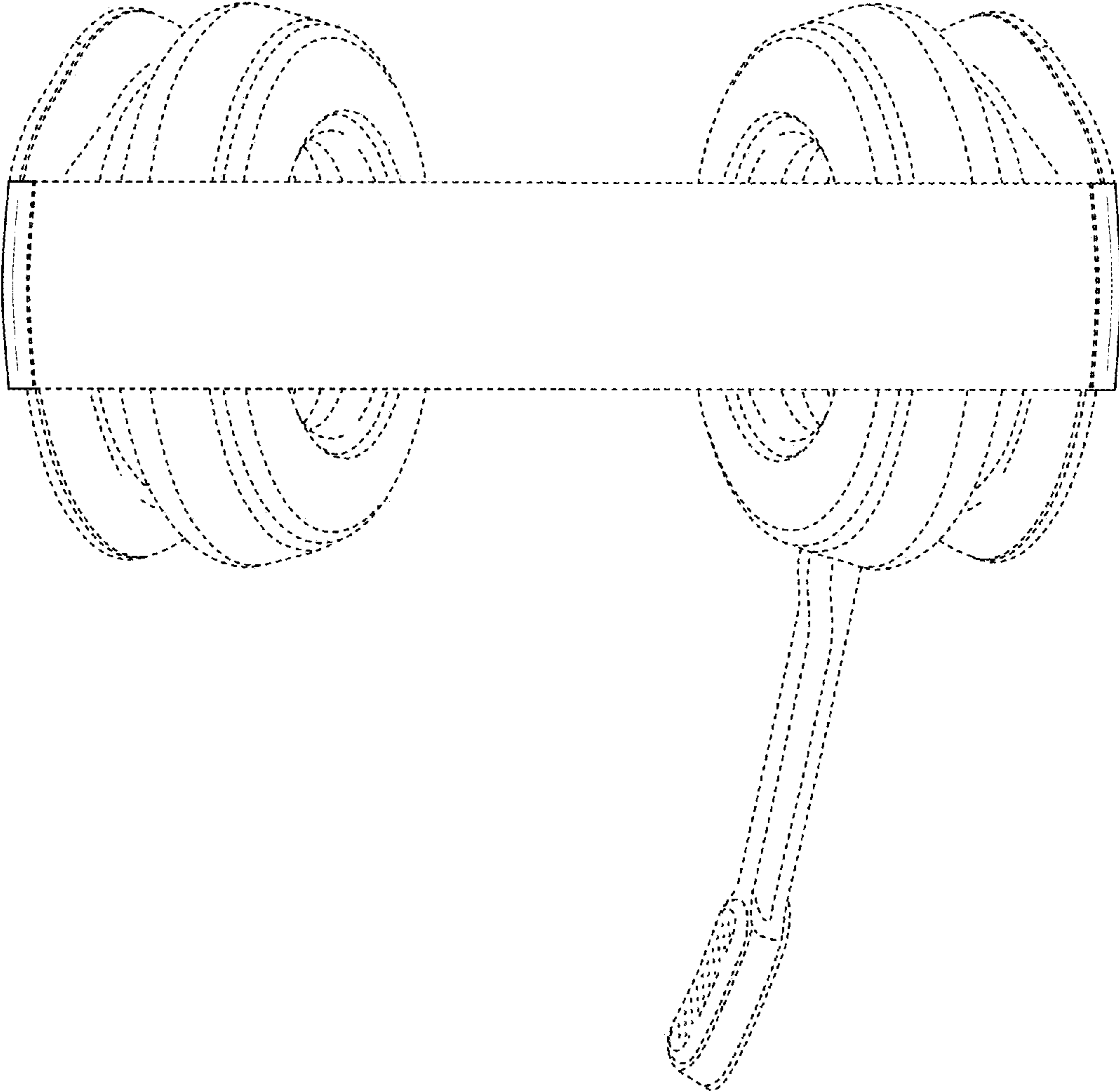


FIG. 6

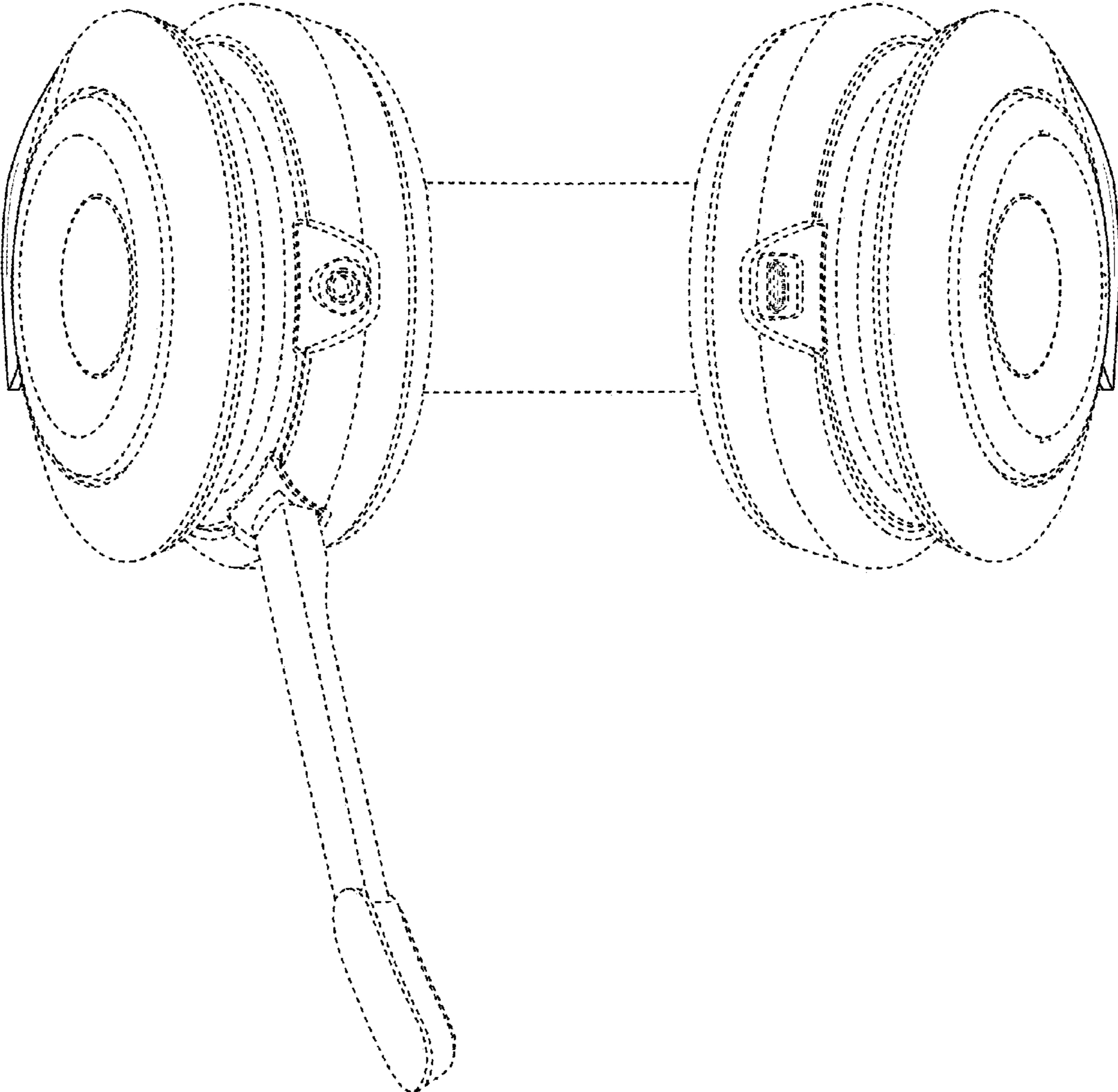


FIG. 7