



US00D764432S

(12) **United States Design Patent**
Webb et al.

(10) **Patent No.:** **US D764,432 S**

(45) **Date of Patent:** **** *Aug. 23, 2016**

(54) **FOLDING VOICE MASK**

(71) Applicants: **Stephen Webb**, Victoria (CA); **Damon Langlois**, Victoria (CA)

(72) Inventors: **Stephen Webb**, Victoria (CA); **Damon Langlois**, Victoria (CA)

(73) Assignee: **Talk Technologies Inc.**, Victoria, BC (CA)

(*) Notice: This patent is subject to a terminal disclaimer.

(**) Term: **14 Years**

(21) Appl. No.: **29/481,023**

(22) Filed: **Jun. 9, 2014**

(51) **LOC (10) Cl.** **14-01**

(52) **U.S. Cl.**
USPC **D14/154**

(58) **Field of Classification Search**
USPC D14/154, 158, 159; D24/110.1;
369/260; 379/441, 444, 447; 381/344
CPC H04M 1/05; H04M 1/19; H04R 1/08;
H04R 1/083

See application file for complete search history.

(56) **References Cited**

U.S. PATENT DOCUMENTS

2,857,013	A *	10/1958	Orso	381/344
3,796,842	A *	3/1974	Guille	381/344
4,129,754	A *	12/1978	Gore	381/346
D427,986	S *	7/2000	Webb et al.	D14/154
D509,207	S *	9/2005	Hsu	D14/154
D569,503	S *	5/2008	Abel et al.	D24/110.1
7,783,034	B2 *	8/2010	Manne	379/441
D634,727	S *	3/2011	Wakabayashi	D14/167
D673,134	S *	12/2012	Webb et al.	D14/154

* cited by examiner

Primary Examiner — Sandra Morris

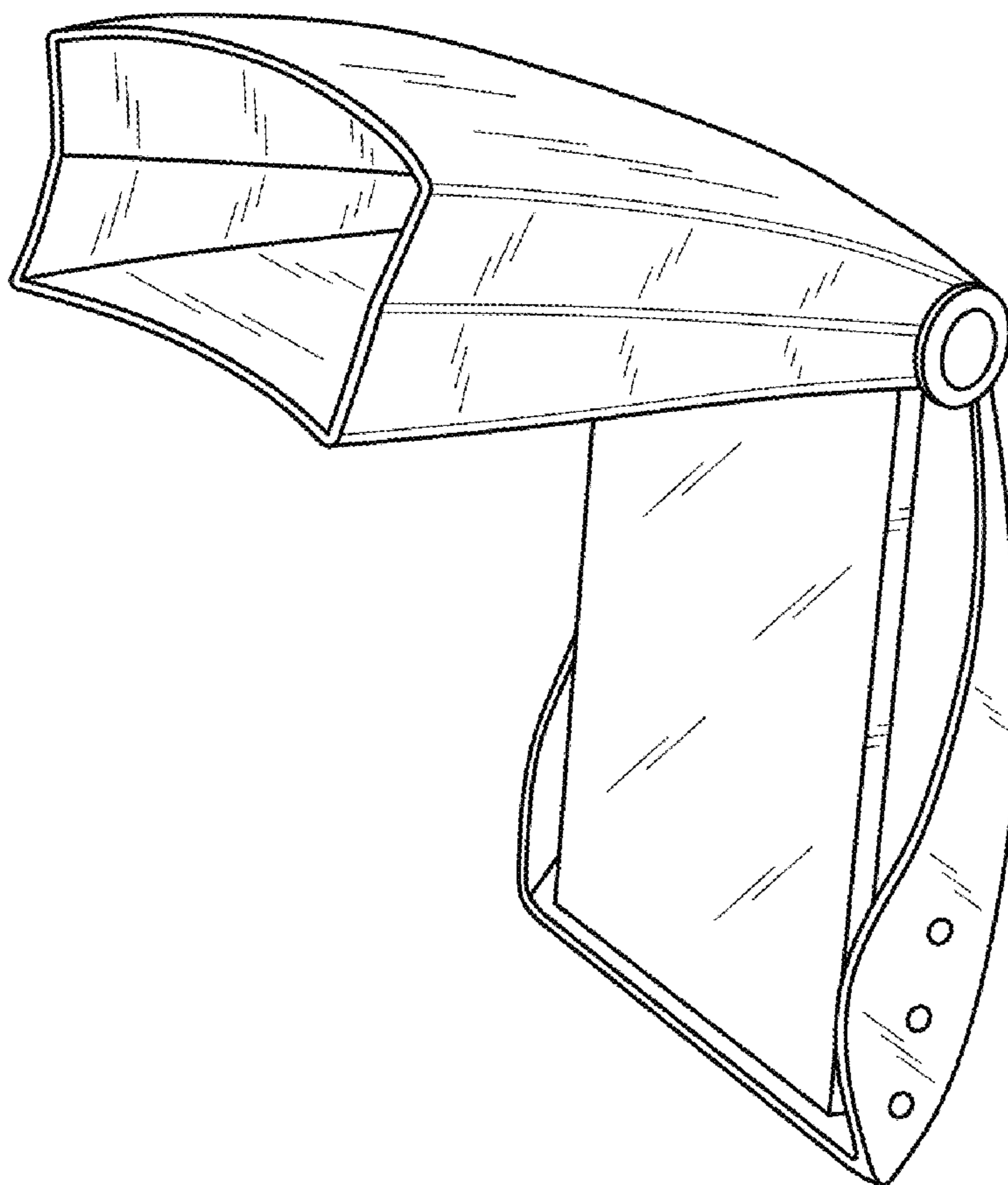
(57) **CLAIM**

The ornamental design for a folding voice mask, as shown and described.

DESCRIPTION

FIG. 1 is a closed front perspective view of the folding voice mask;
FIG. 2 is the open front perspective view of the folding voice mask shown in FIG. 1; and,
FIG. 3 is the open rear perspective view of the folding voice mask shown in FIG. 1.

1 Claim, 2 Drawing Sheets



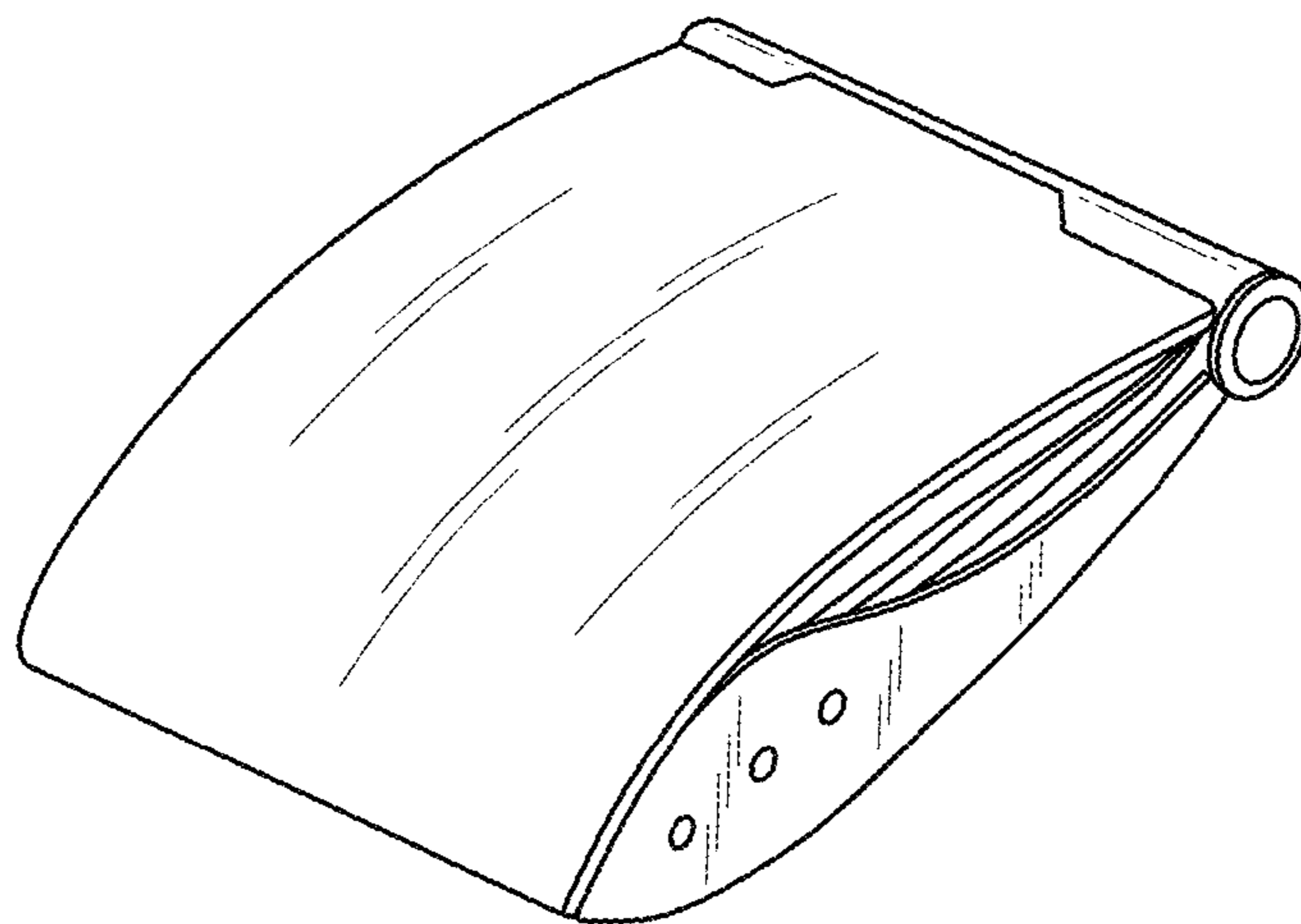


FIG. 1

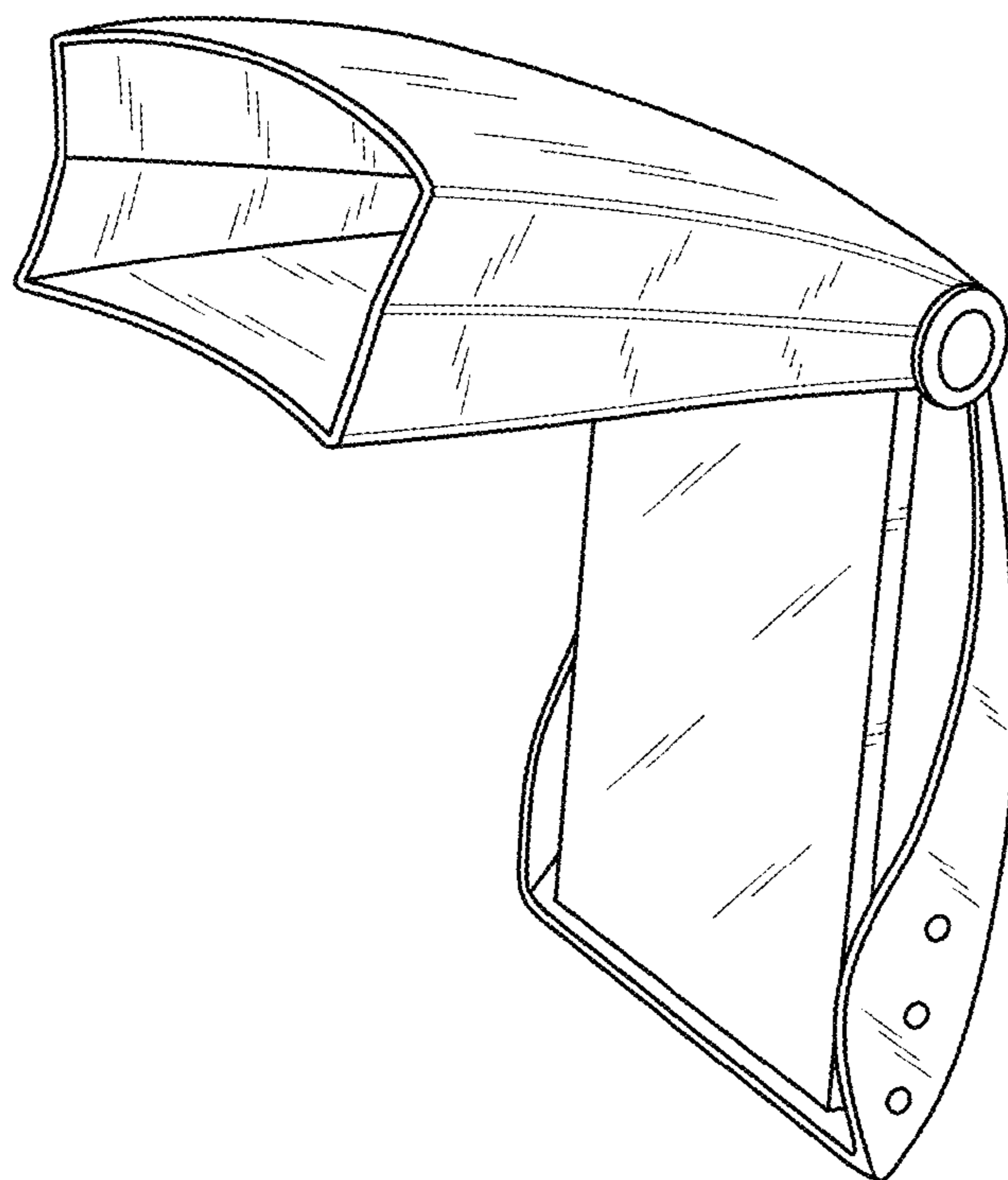


FIG. 2

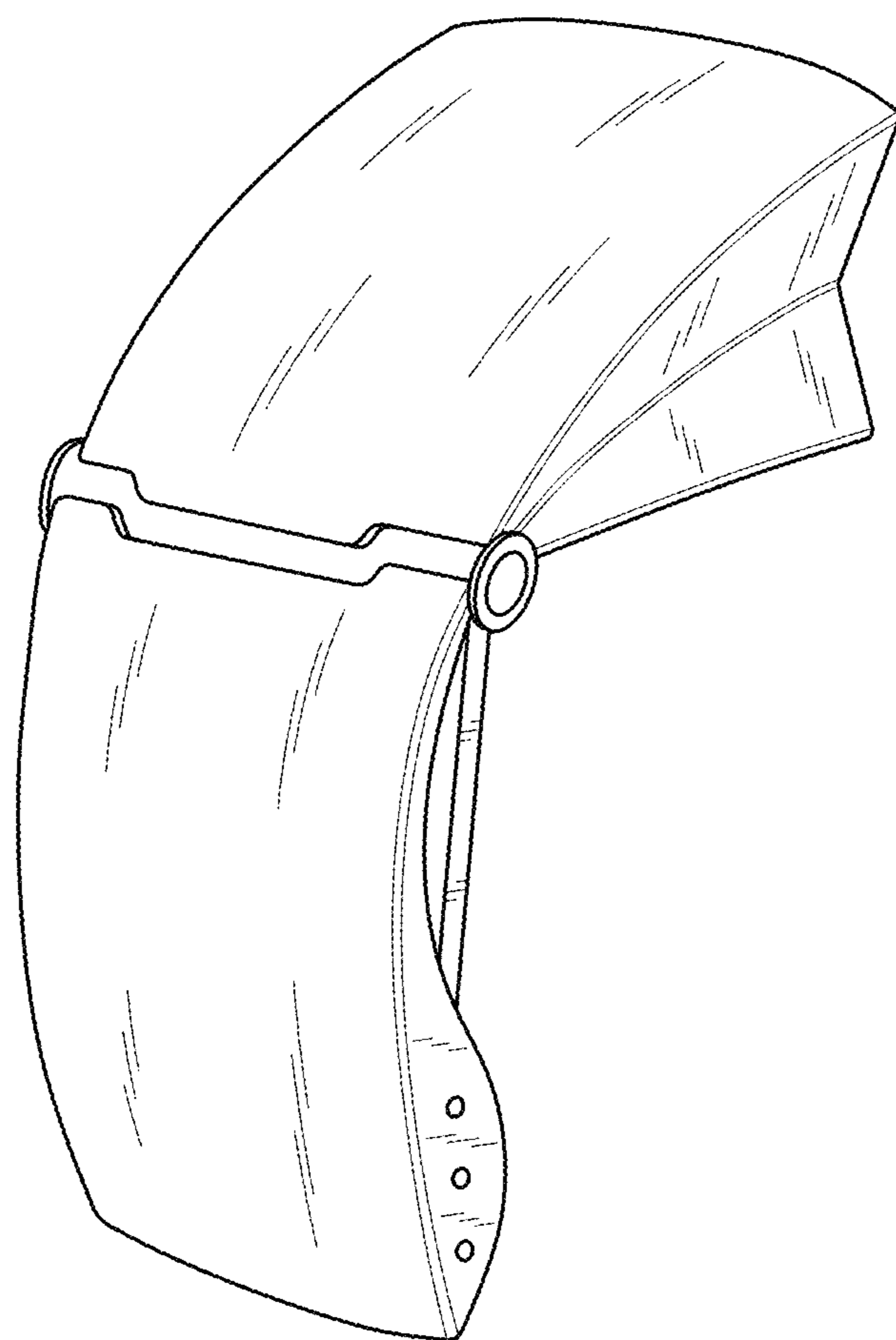


FIG. 3