



US00D764425S

(12) **United States Design Patent**
Boyer, Jr.

(10) **Patent No.:** **US D764,425 S**
(45) **Date of Patent:** **** Aug. 23, 2016**

- (54) **IN-FLIGHT ENTERTAINMENT UNIT**
- (71) Applicant: **Skycast Solutions Inc.**, Seattle, WA (US)
- (72) Inventor: **William J. Boyer, Jr.**, Lakewood, WA (US)
- (73) Assignee: **Skycast Solutions Inc.**, Seattle, WA (US)
- (**) Term: **14 Years**
- (21) Appl. No.: **29/499,369**
- (22) Filed: **Aug. 14, 2014**

D516,529	S	3/2006	Ko et al.	
D539,768	S	4/2007	Vitito	
D553,591	S	10/2007	Yanaura et al.	
7,500,716	B2	3/2009	Guerin et al.	
D597,981	S	8/2009	Kuether et al.	
D636,749	S	4/2011	Kucera	
D647,074	S	10/2011	Naruo	
D660,262	S	5/2012	Cho et al.	
D676,398	S *	2/2013	Zimmerli	D14/132
D714,240	S *	9/2014	Boyer, Jr.	D14/132
2003/0184957	A1	10/2003	Stahl et al.	
2005/0053237	A1	3/2005	Hanson	
2005/0055228	A1	3/2005	Boyer, Jr. et al.	
2005/0055278	A1	3/2005	Boyer, Jr.	
2005/0132407	A1	6/2005	Boyer, Jr. et al.	
2008/0142585	A1	6/2008	Foreman et al.	
2013/0070171	A1 *	3/2013	Boyer, Jr.	B64D 11/0015 348/837

Related U.S. Application Data

- (62) Division of application No. 29/416,028, filed on Mar. 16, 2012, now Pat. No. Des. 714,240.
- (51) **LOC (10) Cl.** **14-03**
- (52) **U.S. Cl.**
USPC **D14/132**
- (58) **Field of Classification Search**
USPC D14/126, 132, 127, 129, 128, 371, 317,
D14/130; D10/15, 26; D26/66; D16/203,
D16/202
CPC G06F 1/1616; H04N 5/64; H04N 5/642;
H04N 5/645; H04N 5/72; H04N 9/3141;
B60R 11/0235; B60R 11/0211; B60R
2011/0082; B60R 11/0252; H04M 1/0227;
H04M 1/0237
See application file for complete search history.

(56) **References Cited**

U.S. PATENT DOCUMENTS

4,511,178	A	4/1985	Brennan	
4,521,021	A	6/1985	Dixon	
D431,559	S	10/2000	Morooka	
6,454,349	B1	9/2002	Konya	
D467,234	S	12/2002	Scribner	
D496,662	S *	9/2004	Borsboom	D14/371
6,899,390	B2	5/2005	Sanfrod et al.	

FOREIGN PATENT DOCUMENTS

WO 03106261 12/2003

* cited by examiner

Primary Examiner — Robert M Spear

Assistant Examiner — Eliza Bennett-Hattan

(74) *Attorney, Agent, or Firm* — George C. Rondeau, Jr.;
Davis Wright Tremaine LLP

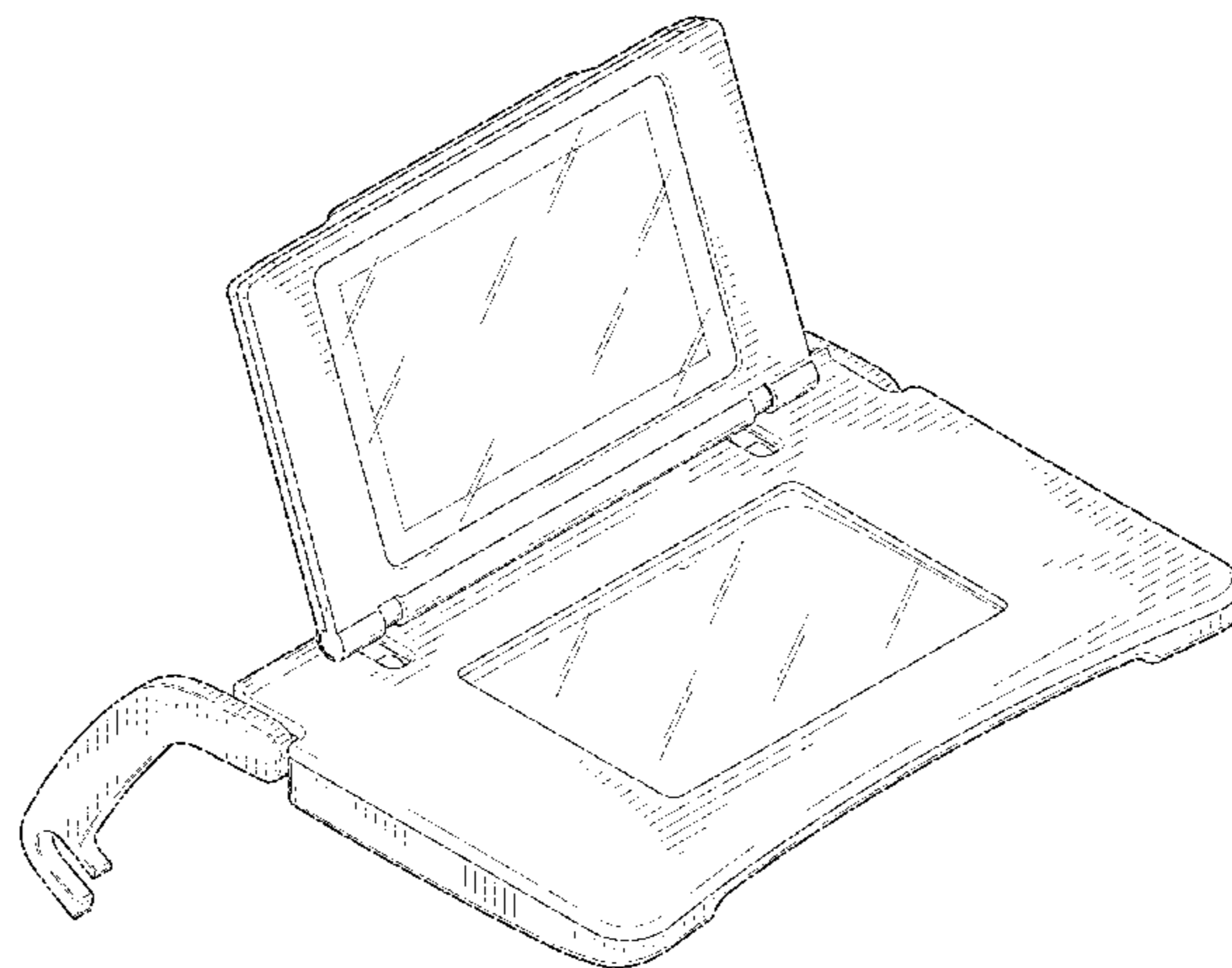
(57) **CLAIM**

The ornamental design for an in-flight entertainment unit, as shown and described.

DESCRIPTION

FIG. 1 is a top left side perspective view of an in-flight entertainment unit showing my new design.
 FIG. 2 is a front elevational view thereof.
 FIG. 3 is a top plan view thereof.
 FIG. 4 is a left side elevational view thereof.
 FIG. 5 is a right side elevational view thereof.
 FIG. 6 is a rear elevational view thereof; and,
 FIG. 7 is a bottom plan view thereof.
 The broken lines represent portions of the in-flight entertainment unit that form no part of the claim.

1 Claim, 7 Drawing Sheets



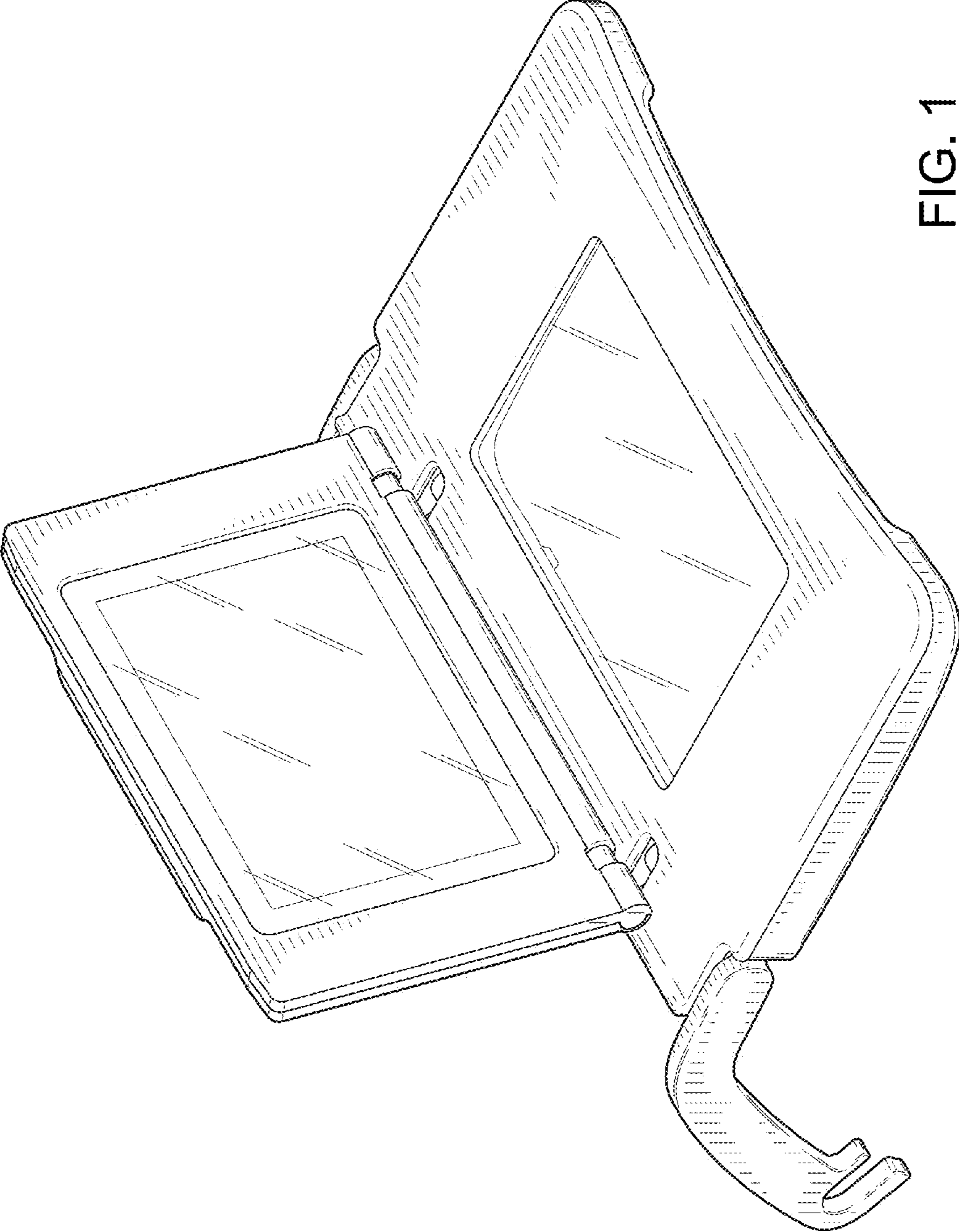


FIG. 1

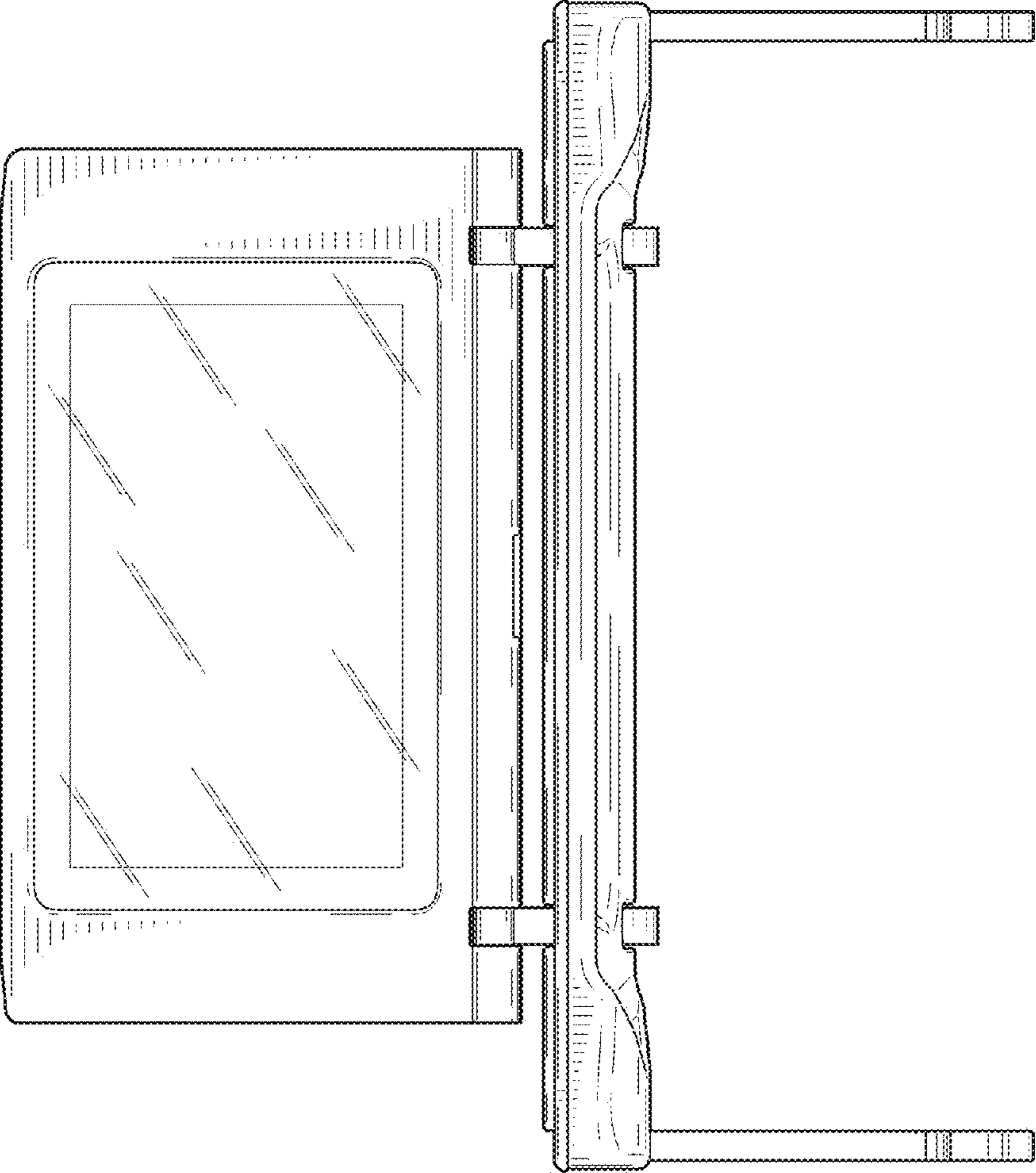


FIG. 2

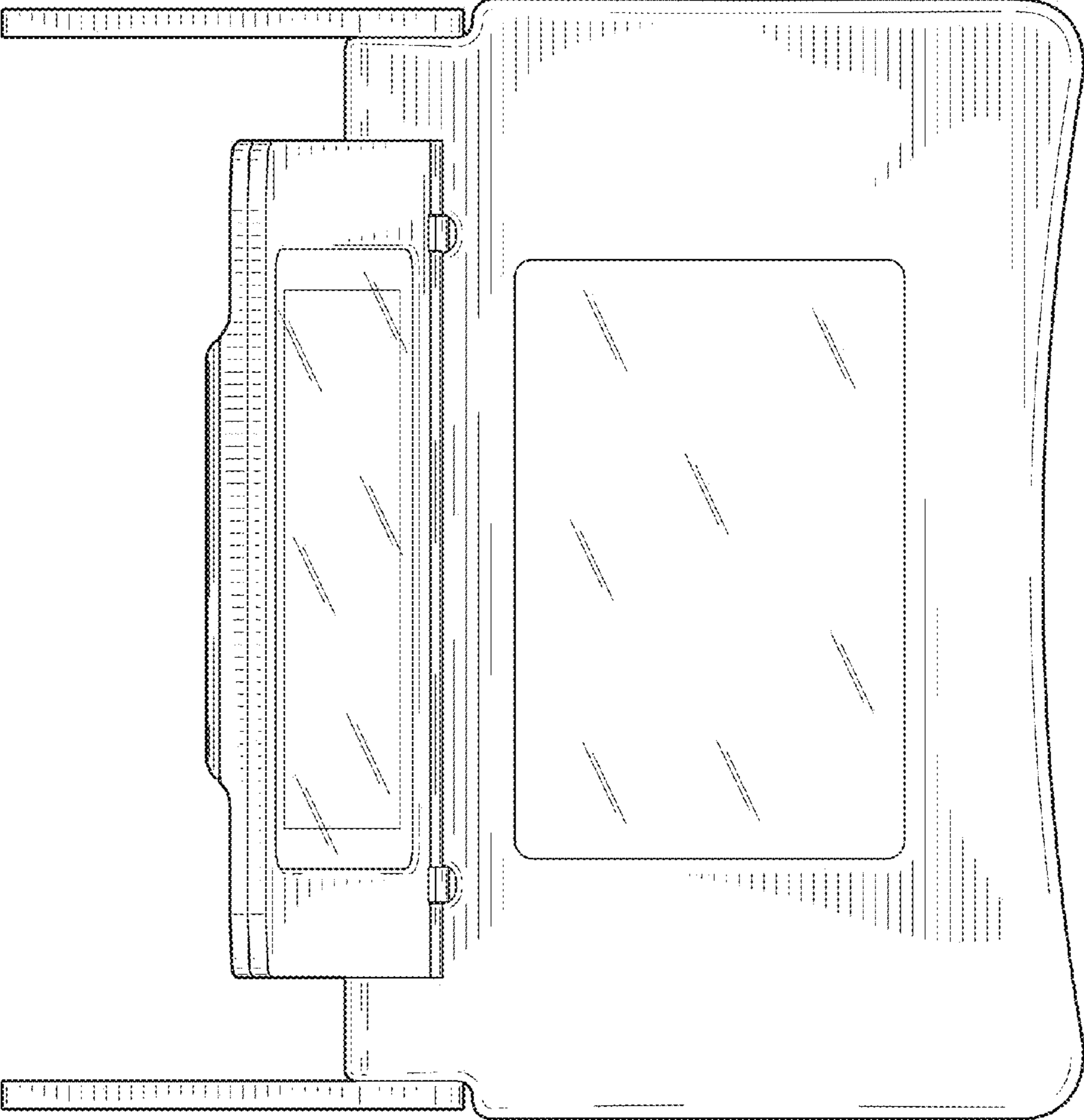


FIG. 3

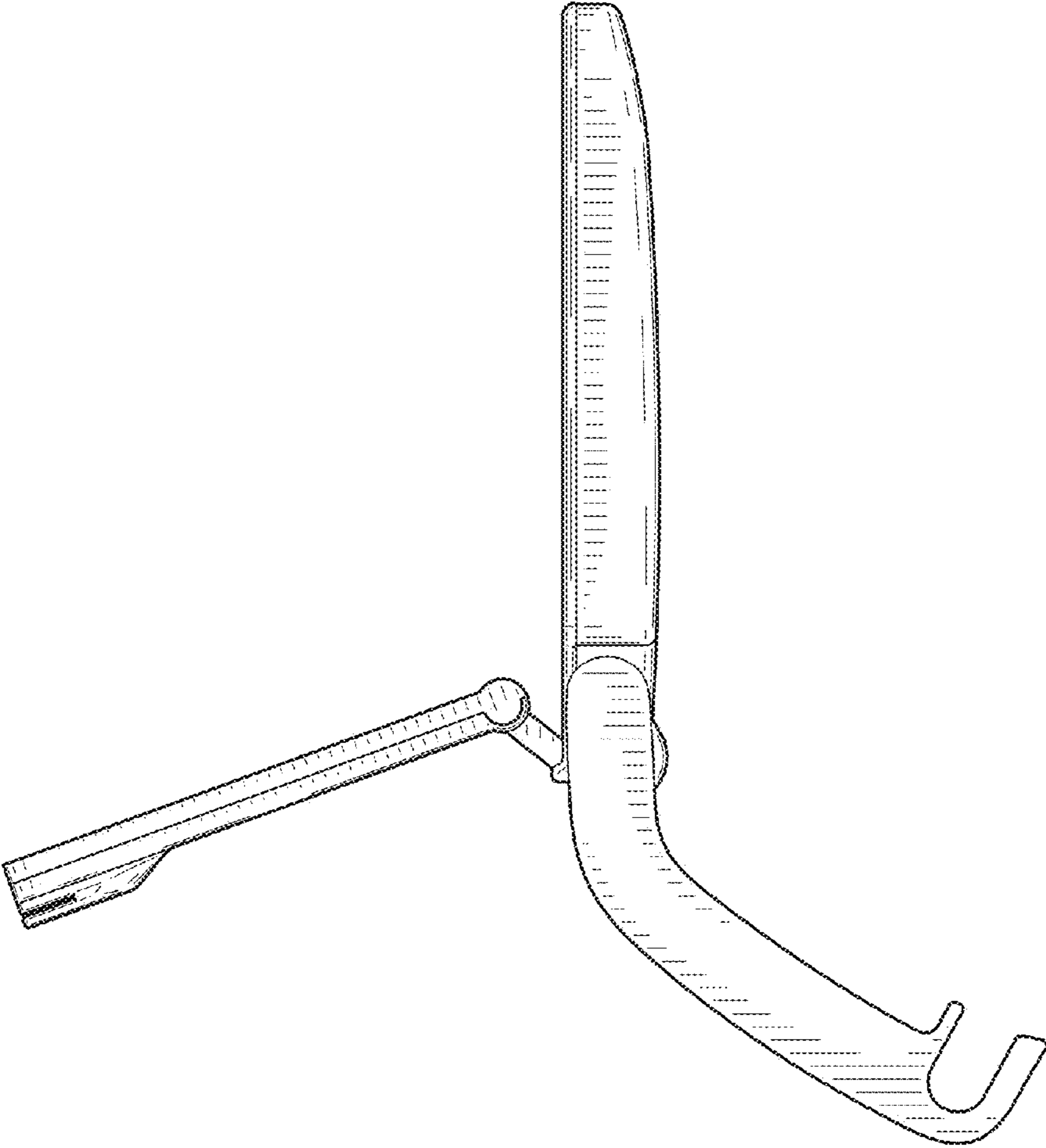


FIG. 4

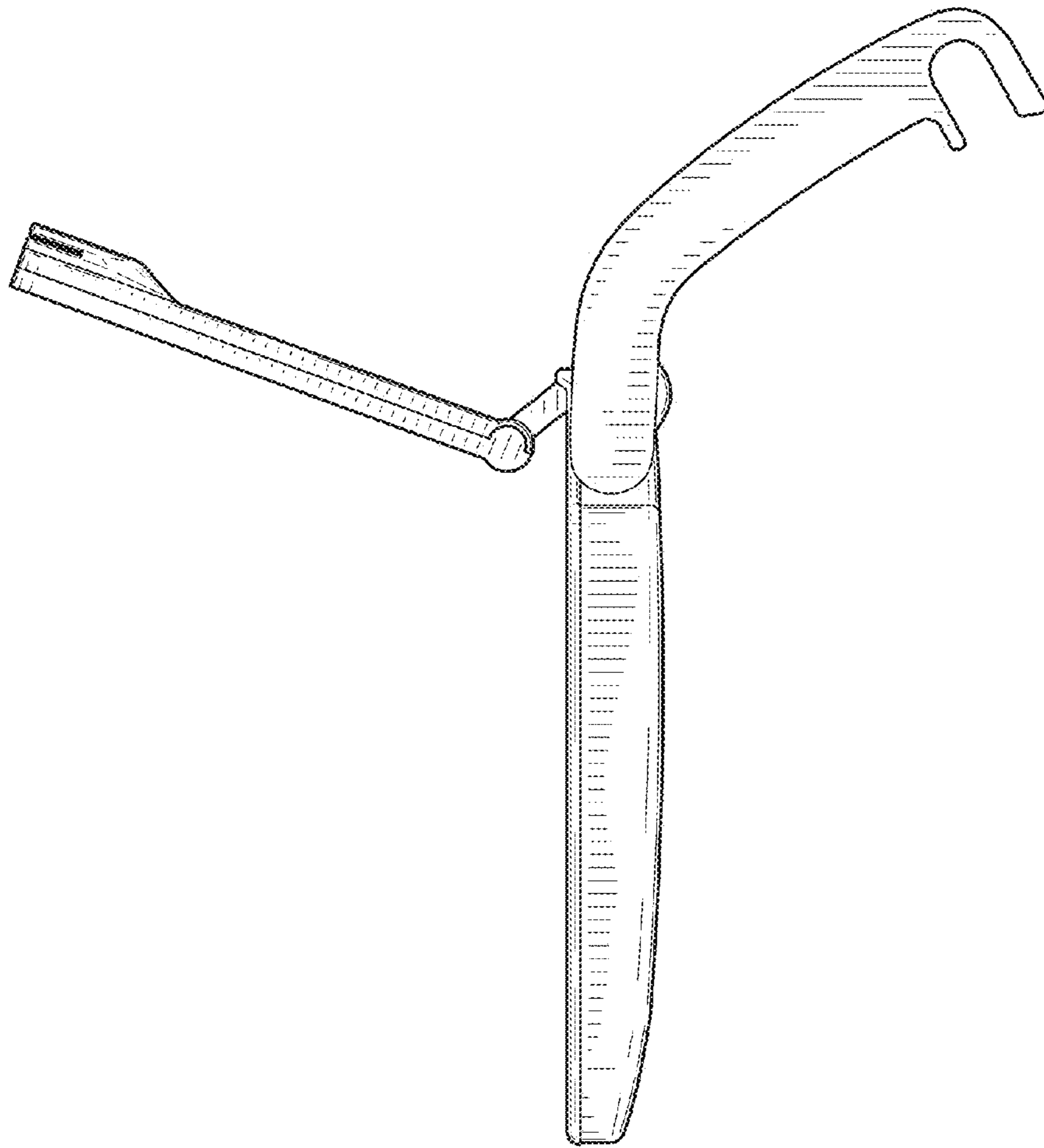


FIG. 5

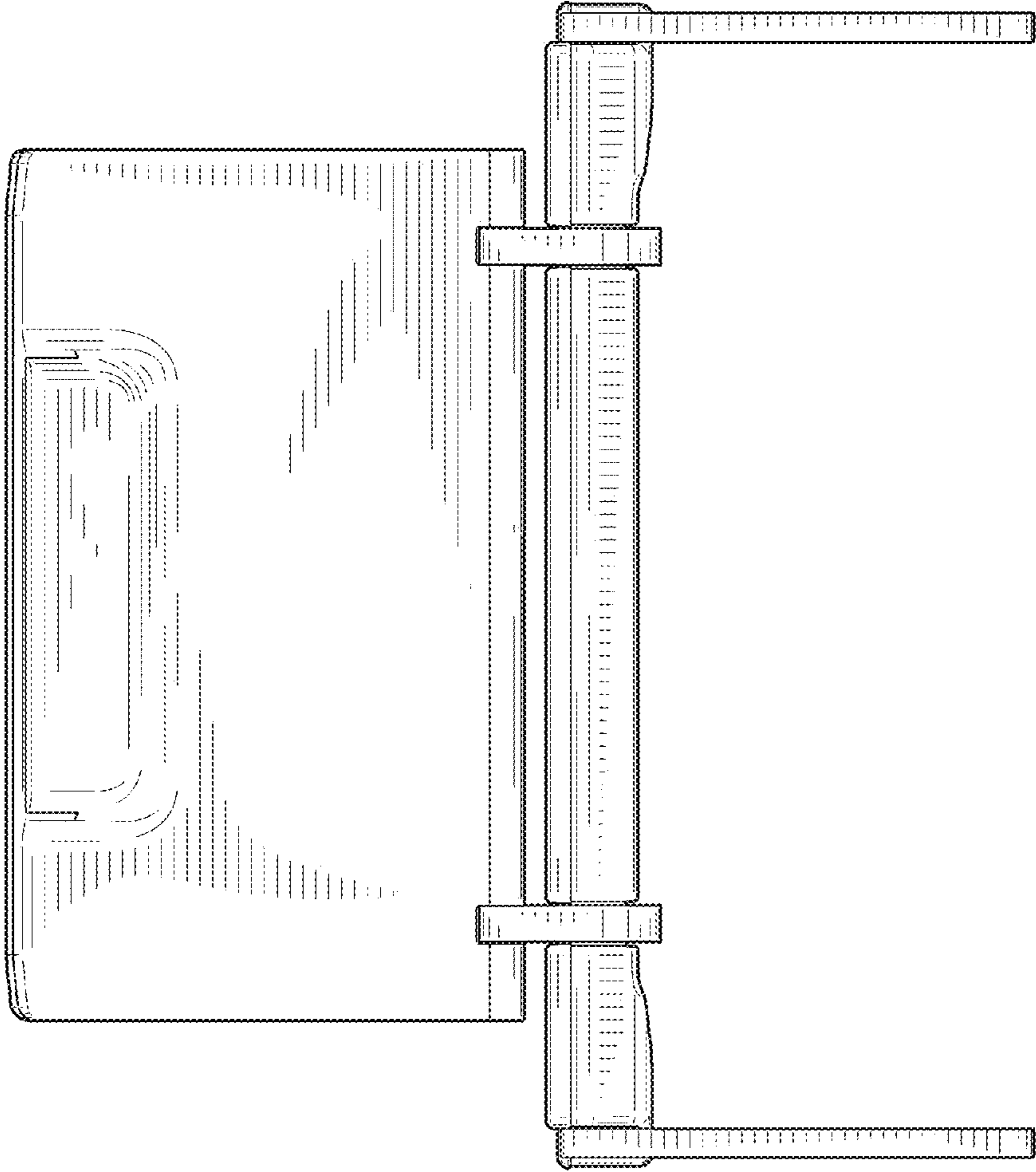


FIG. 6

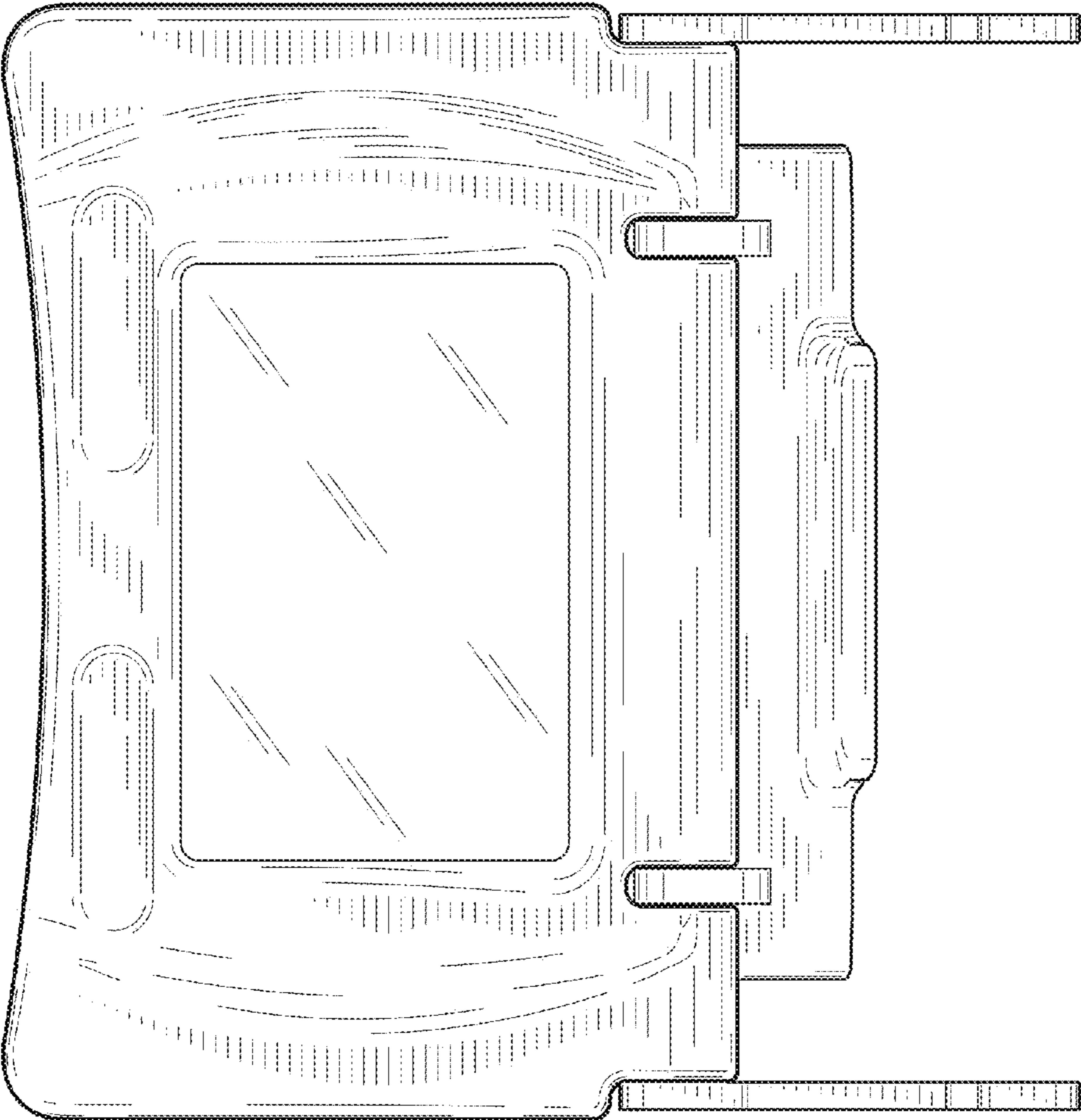


FIG. 7