

US00D764423S

(12) **United States Design Patent**
Dempster et al.

(10) **Patent No.:** **US D764,423 S**

(45) **Date of Patent:** **** Aug. 23, 2016**

(54) **CORRUGATED ELEMENTS FOR DEFINING LONGITUDINAL CHANNELS IN A BOAT FOR A DEPOSITION APPARATUS**

(71) Applicant: **HZO, Inc.**, Draper, UT (US)

(72) Inventors: **James Dempster**, Reno, NV (US);
Jason Maynard, Salt Lake City, UT (US)

(73) Assignee: **HZO, INC.**, Draper, UT (US)

(**) Term: **14 Years**

(21) Appl. No.: **29/484,069**

(22) Filed: **Mar. 5, 2014**

(51) **LOC (10) Cl.** **13-03**

(52) **U.S. Cl.**
USPC **D13/182**

(58) **Field of Classification Search**
USPC D13/182; D15/144, 144.1, 199
CPC C23C 16/458; C23C 16/4581; C23C 16/4582; C23C 16/4583; C23C 16/4584; C23C 16/4586; C23C 16/4587; C23C 16/4588; C30B 31/14; H01L 21/673; H01L 21/67303; H01L 21/67306; H01L 21/67309; H01L 21/67313; H01L 21/37316; H01L 21/37323; H01L 21/67326; H01L 21/6733
See application file for complete search history.

(56) **References Cited**

U.S. PATENT DOCUMENTS

D254,687 S * 4/1980 Fadler D13/182
4,303,694 A 12/1981 Bois
5,448,511 A * 9/1995 Paurus H01L 25/0657
257/686

5,904,958 A 5/1999 Dick et al.
D589,471 S * 3/2009 Komatsu D13/182
D601,521 S * 10/2009 Komatsu D13/182
D613,690 S * 4/2010 Kuriki D13/133
D614,153 S * 4/2010 Fondurulia D13/182
D615,927 S * 5/2010 Kuriki D13/133
D616,394 S * 5/2010 Sato D13/182
D701,182 S * 3/2014 Plant D13/182
D737,785 S * 9/2015 Yoshida D13/182
D738,329 S * 9/2015 Yoshida D13/182
2004/0192082 A1 * 9/2004 Wagner H05K 1/0283
439/67
2004/0238819 A1 * 12/2004 Maghribi A61N 1/0551
257/57
2010/0081104 A1 4/2010 Hein et al.

* cited by examiner

Primary Examiner — Elizabeth J Oswecki

(74) *Attorney, Agent, or Firm* — Stephen Kenny; Walter M. Egbert, III; Foley Hoag LLP

(57) **CLAIM**

The ornamental design for a corrugated elements for defining longitudinal channels in a boat for a deposition apparatus, as shown and described.

DESCRIPTION

FIG. 1 is a perspective view of a corrugated elements for defining longitudinal channels in a boat for a deposition apparatus, showing our new design;

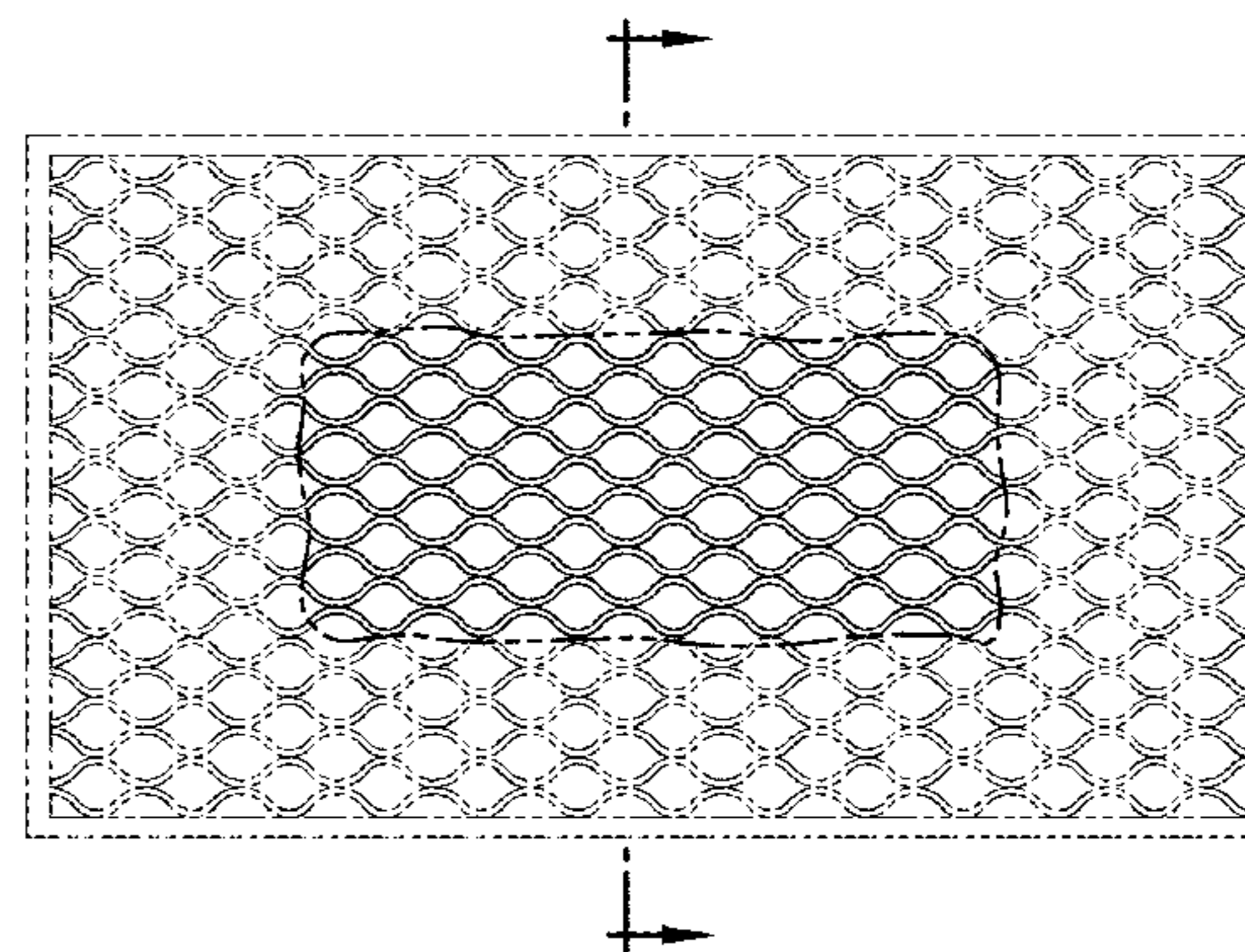
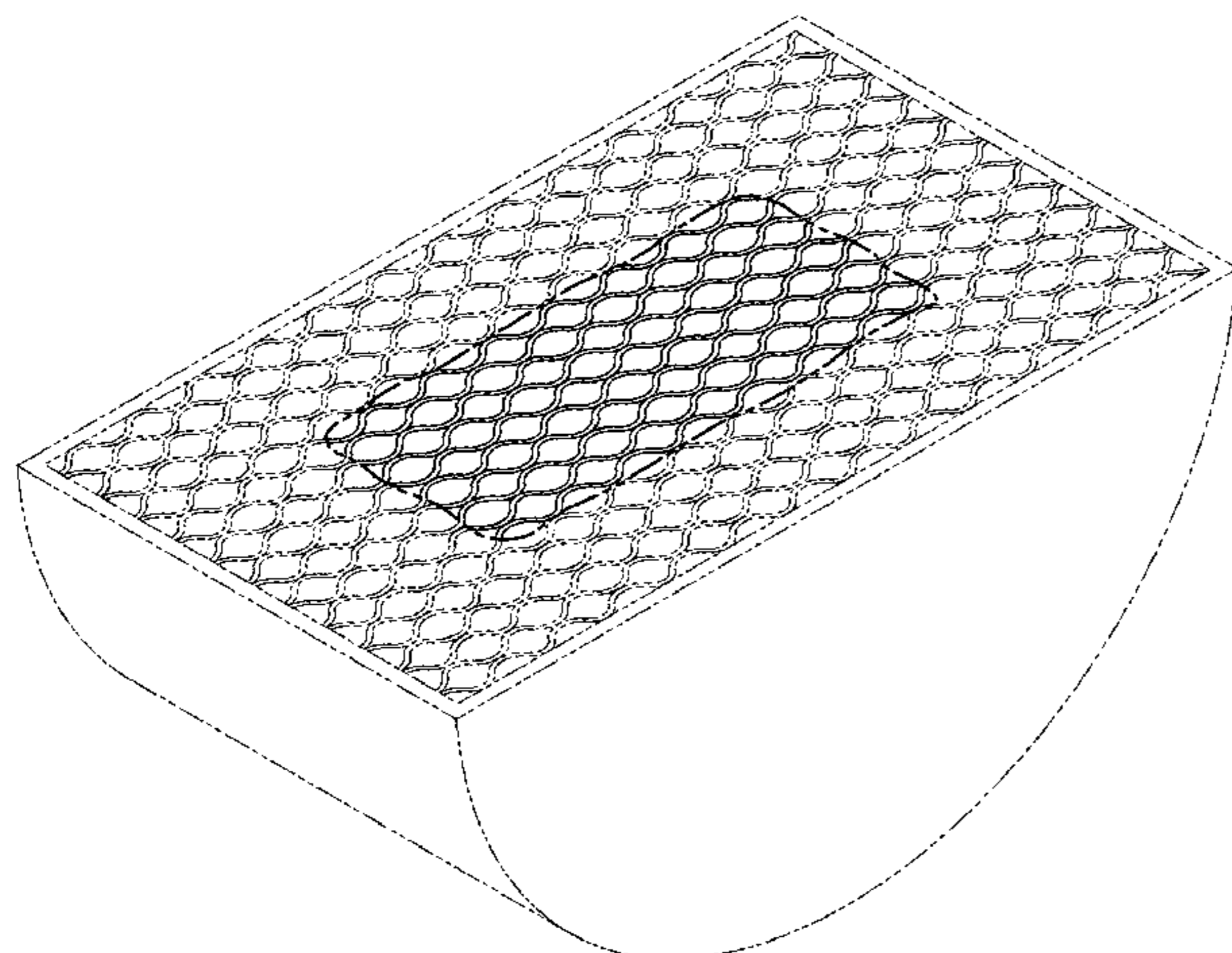
FIG. 2 is a top plan view thereof;

FIG. 3 is a cross sectional view thereof taken along line 3-3 in FIG. 1; and,

FIG. 4 is a bottom plan view thereof.

The dashed-dot-dashed lines define the boundary of the claimed design. The even dashed lines represent unclaimed subject matter and form no part of the claimed design. All surfaces not shown form no part of the claimed design.

1 Claim, 2 Drawing Sheets



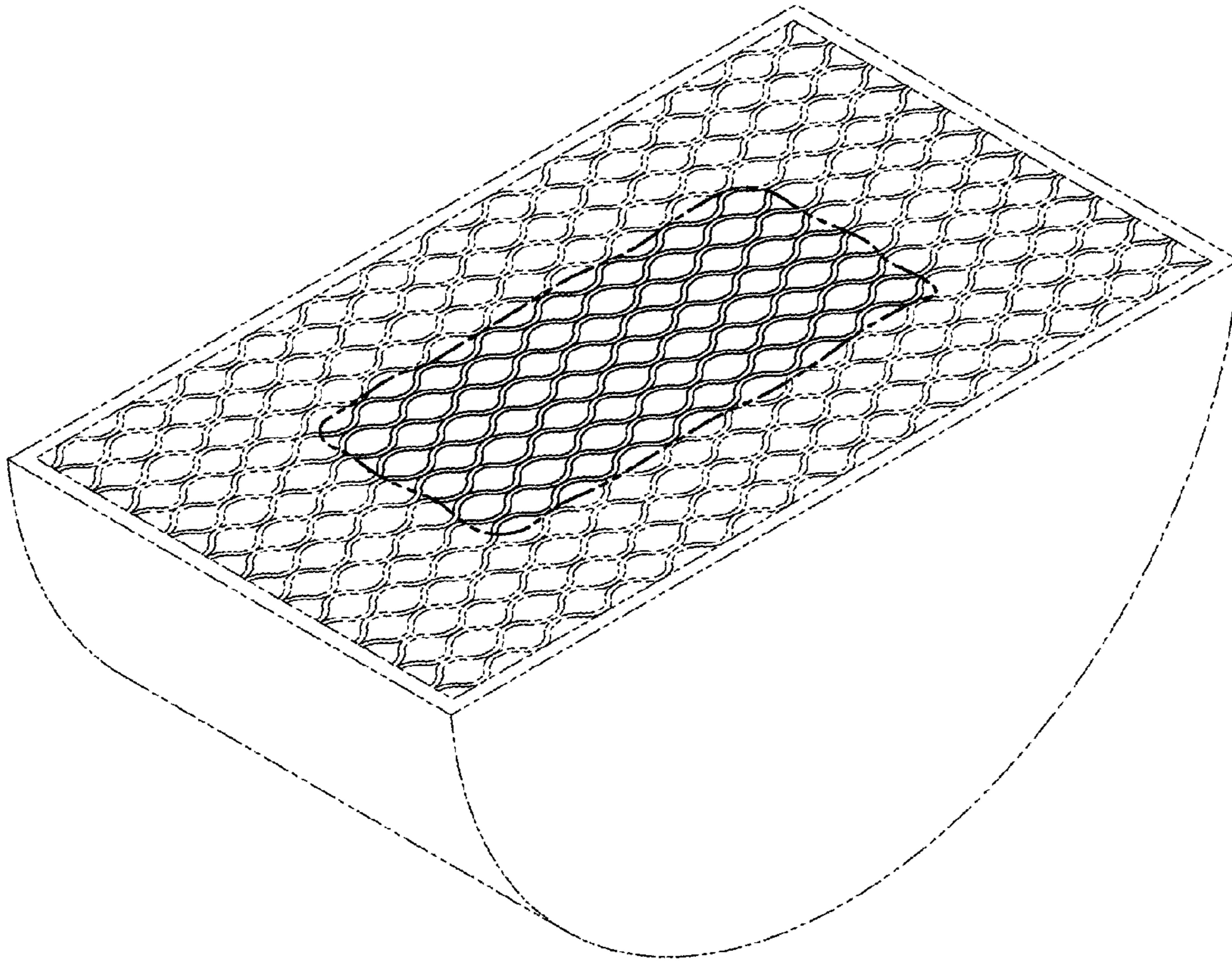


FIG. 1

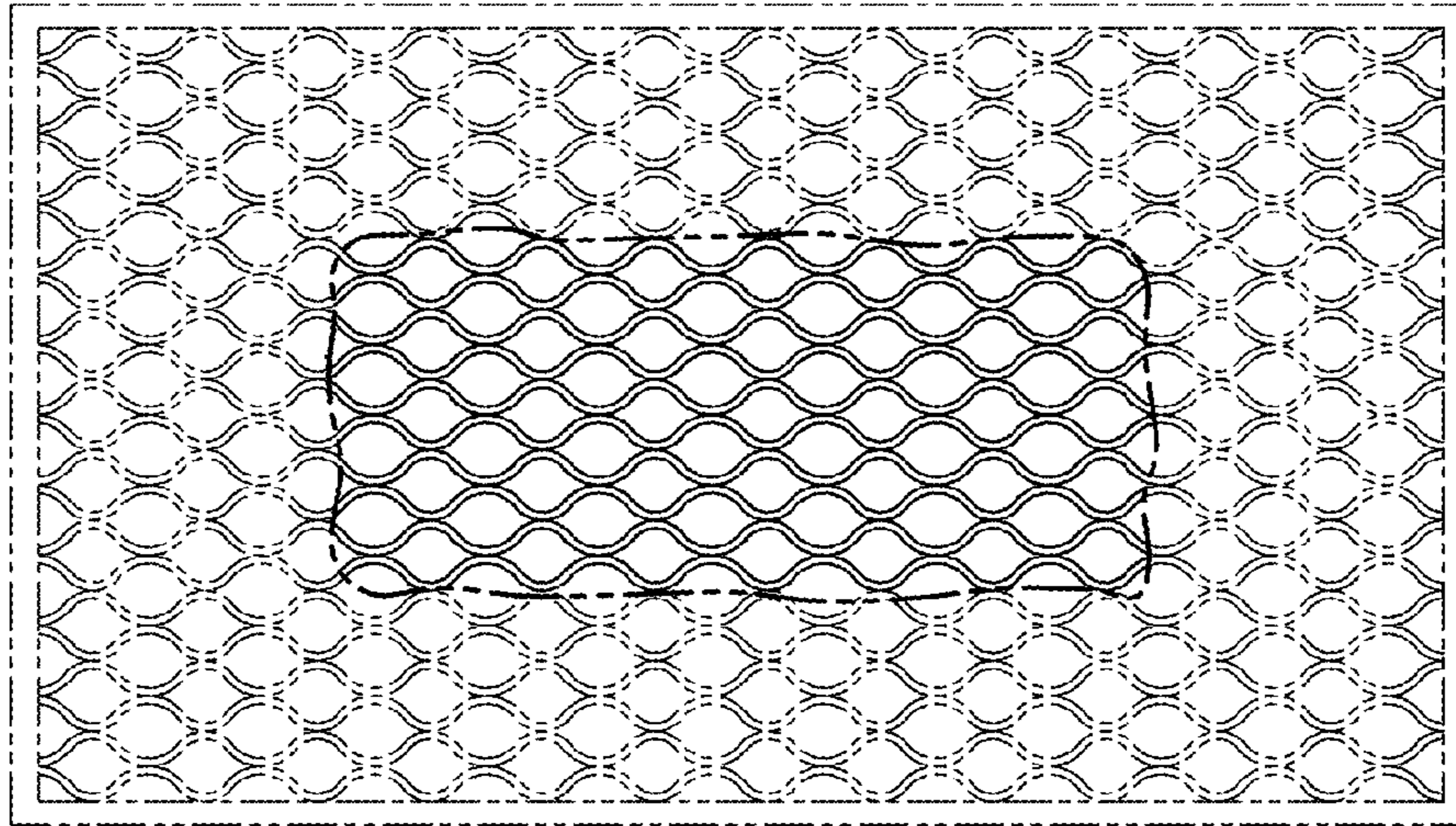


FIG. 2

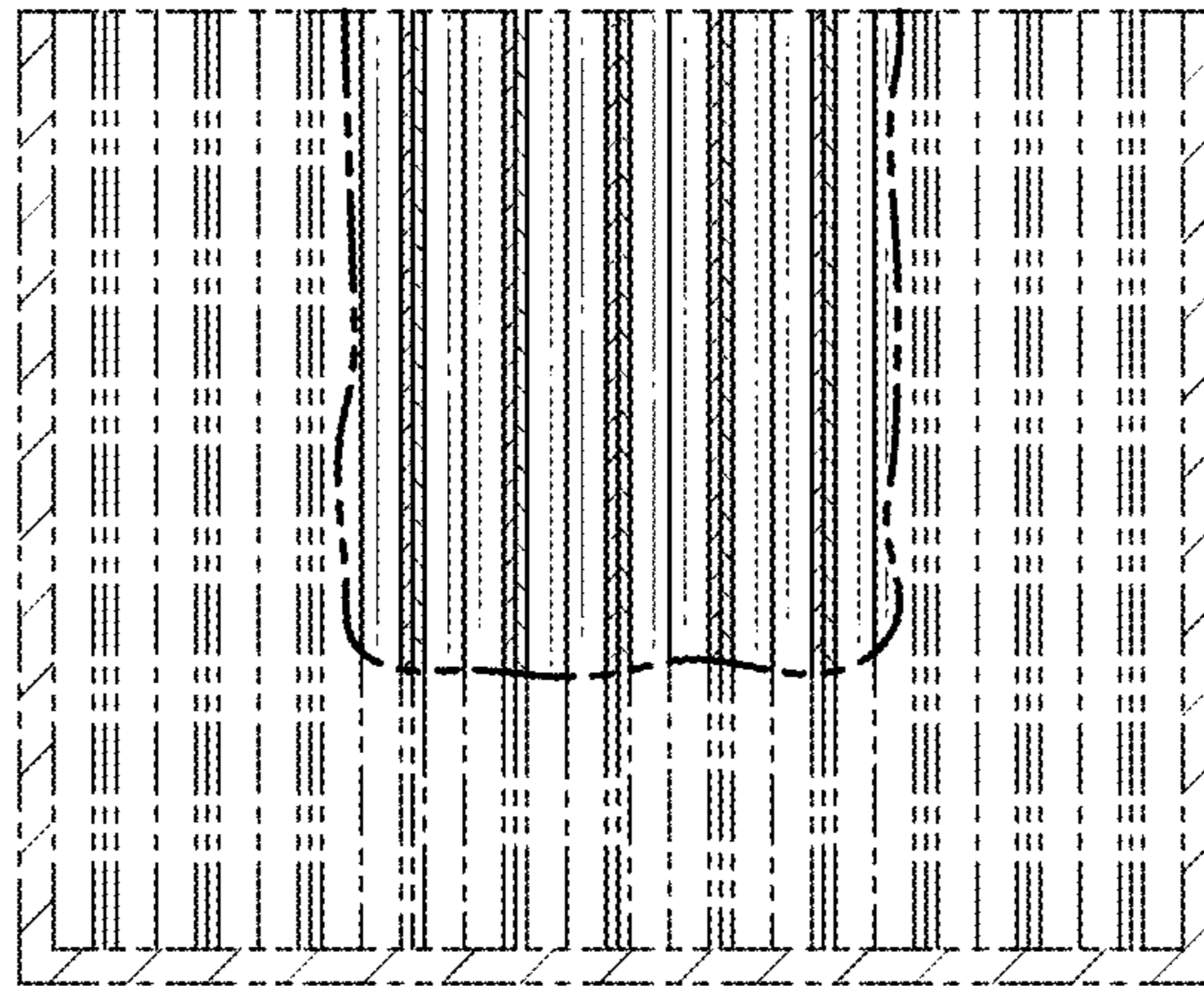


FIG. 3

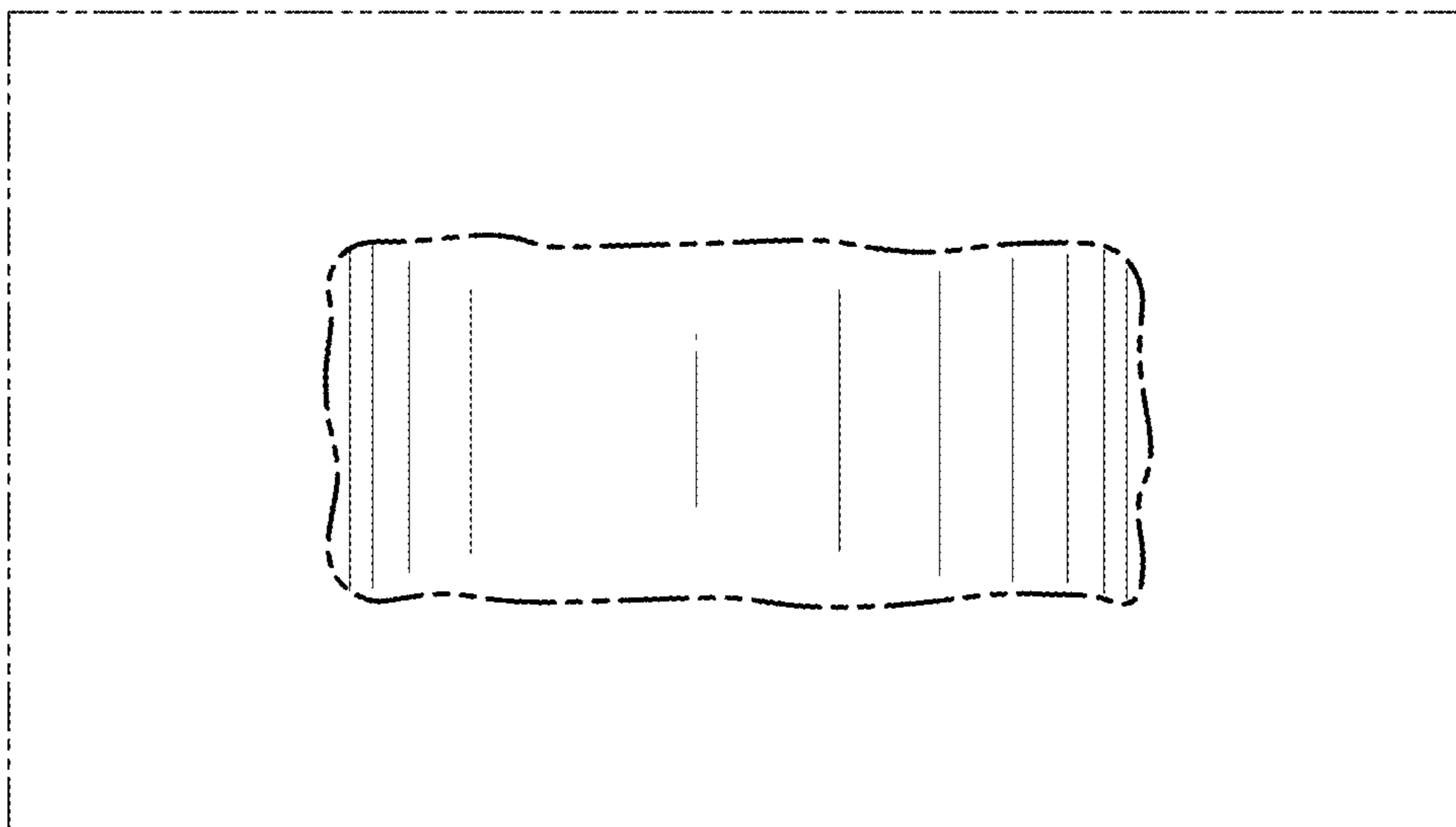


FIG. 4