



US00D764422S

(12) **United States Design Patent**
Hon et al.

(10) **Patent No.:** **US D764,422 S**

(45) **Date of Patent:** **** Aug. 23, 2016**

(54) **LIGHT-EMITTING DIODE**

H01L 33/20; H01L 33/38; H01L 33/42;
H01L 33/48; H01L 33/483; H01L 33/486

(71) Applicant: **EPISTAR CORPORATION**, Hsinchu
(TW)

See application file for complete search history.

(72) Inventors: **Schang-Jing Hon**, Hsinchu (TW);
Chao-Hsing Chen, Hsinchu (TW);
Tsun-Kai Ko, Hsinchu (TW); **Chien-Fu**
Shen, Hsinchu (TW); **Jia-Kuen Wang**,
Hsinchu (TW); **Hung-Che Chen**,
Hsinchu (TW)

(56) **References Cited**

U.S. PATENT DOCUMENTS

6,614,056	B1	9/2003	Tarsa et al.
6,844,571	B2	1/2005	Krames et al.
7,282,741	B2	10/2007	Kim et al.
7,429,755	B2	9/2008	Hsu
D580,888	S	11/2008	Liu
7,777,245	B2	8/2010	Hwang et al.
7,795,610	B2	9/2010	Kim et al.
D635,525	S	4/2011	Edmond et al.

(73) Assignee: **EPISTAR CORPORATION**, Hsinchu
(TW)

(Continued)

(**) Term: **15 Years**

Primary Examiner — Selina Sikder

(21) Appl. No.: **29/542,297**

(74) *Attorney, Agent, or Firm* — Muncy, Geissler, Olds &
Lowe, P.C.

(22) Filed: **Oct. 13, 2015**

(57) **CLAIM**

The ornamental design for a light-emitting diode, as shown
and described.

Related U.S. Application Data

DESCRIPTION

(63) Continuation of application No. 29/481,047, filed on
Jan. 31, 2014, now Pat. No. Des. 743,354, which is a
continuation of application No. 29/451,744, filed on
Apr. 8, 2013, now Pat. No. Des. 698,743.

FIG. 1 is a perspective view of a light-emitting diode showing
our new design;
FIG. 2 is another perspective view of the light-emitting diode;
FIG. 3 is a front elevational view of the light-emitting diode;
FIG. 4 is a rear elevational view of the light-emitting diode;
FIG. 5 is a left side view of the light-emitting diode;
FIG. 6 is a right side view of the light-emitting diode;
FIG. 7 is a top plan view of the light-emitting diode; and,
FIG. 8 is a bottom plan view of the light-emitting diode.
The broken line showing is for the purpose of illustrating
environmental structure and forms no part of the claimed
design.

(30) **Foreign Application Priority Data**

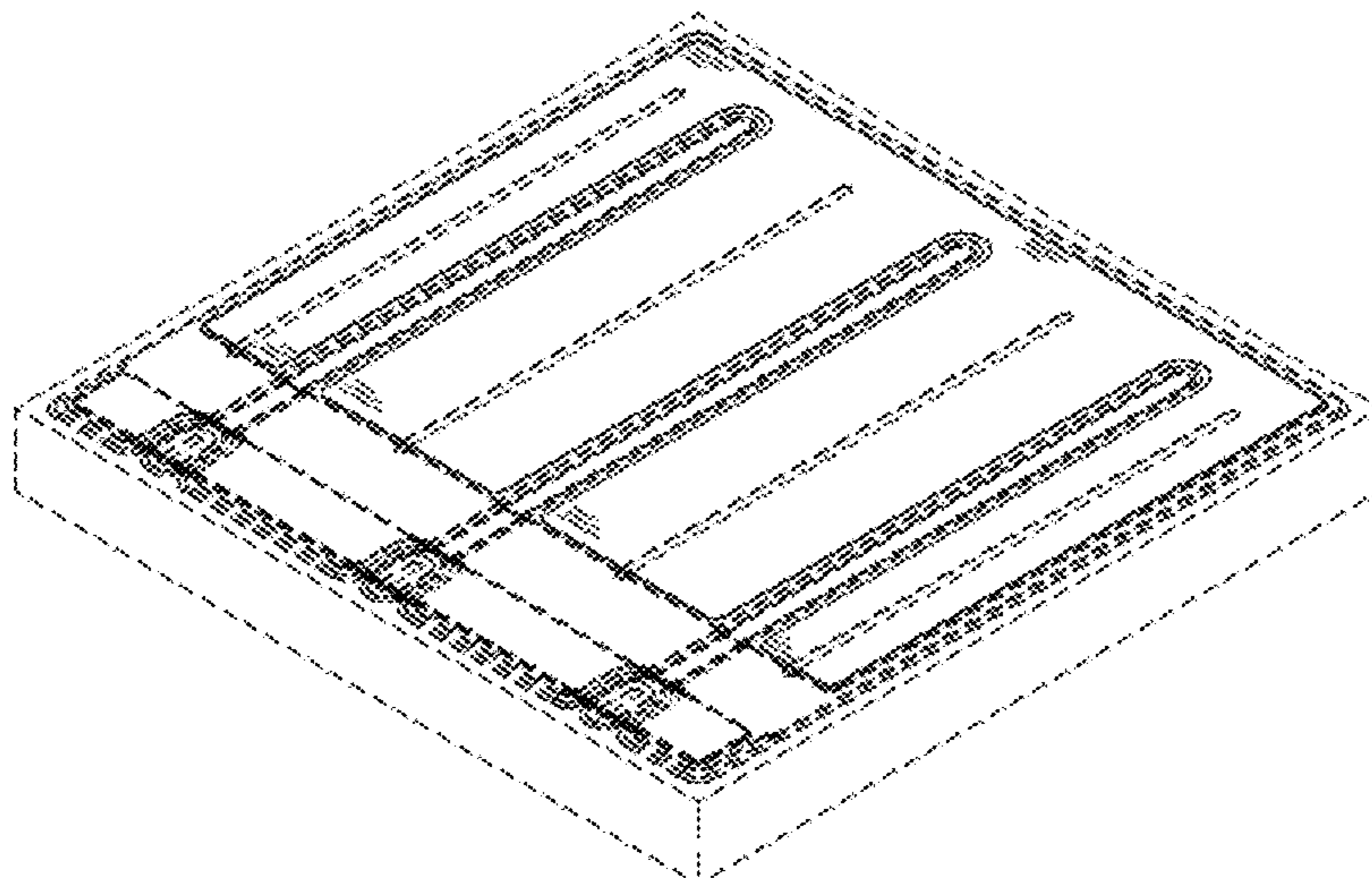
Dec. 7, 2012 (TW) 101307354

(51) **LOC (10) Cl.** **13-03**

(52) **U.S. Cl.**
USPC **D13/180**

(58) **Field of Classification Search**
USPC D13/180; D26/1
CPC ... H01L 25/167; H01L 25/0753; H01L 27/15;
H01L 27/156; H01L 31/02; H01L 33/00;
H01L 33/04; H01L 33/08; H01L 33/10;

1 Claim, 6 Drawing Sheets



(56)

References Cited

U.S. PATENT DOCUMENTS

8,168,995 B2	5/2012	Ko et al.	8,742,449 B2	6/2014	Seo et al.	
8,188,493 B2	5/2012	Li et al.	8,866,186 B2	10/2014	Orijji et al.	
8,188,505 B2	5/2012	Shen et al.	D721,663 S	1/2015	Chen et al.	
8,362,516 B2	1/2013	Inoue et al.	D721,664 S	1/2015	Chen et al.	
D676,001 S	2/2013	Hsu et al.	9,012,952 B2	4/2015	Seo et al.	
D680,085 S	4/2013	Wu et al.	9,018,669 B2	4/2015	Seo et al.	
D681,567 S	5/2013	Wang et al.	D733,079 S *	6/2015	Chen	D13/180
D684,940 S	6/2013	Chu et al.	D740,240 S *	10/2015	Chen	D13/180
8,461,615 B2	6/2013	Kimura et al.	D743,354 S *	11/2015	Hon	D13/180
D687,396 S	8/2013	Chen et al.	D752,527 S *	3/2016	Chen	D13/180
8,525,196 B2	9/2013	Lee et al.	2003/0107053 A1	6/2003	Uemura et al.	
8,546,840 B2	10/2013	Inoue et al.	2005/0133807 A1	6/2005	Park et al.	
D698,743 S	2/2014	Hon et al.	2008/0210972 A1	9/2008	Ko et al.	
			2008/0230791 A1	9/2008	Lin et al.	
			2012/0241808 A1	9/2012	Akiyama et al.	

* cited by examiner

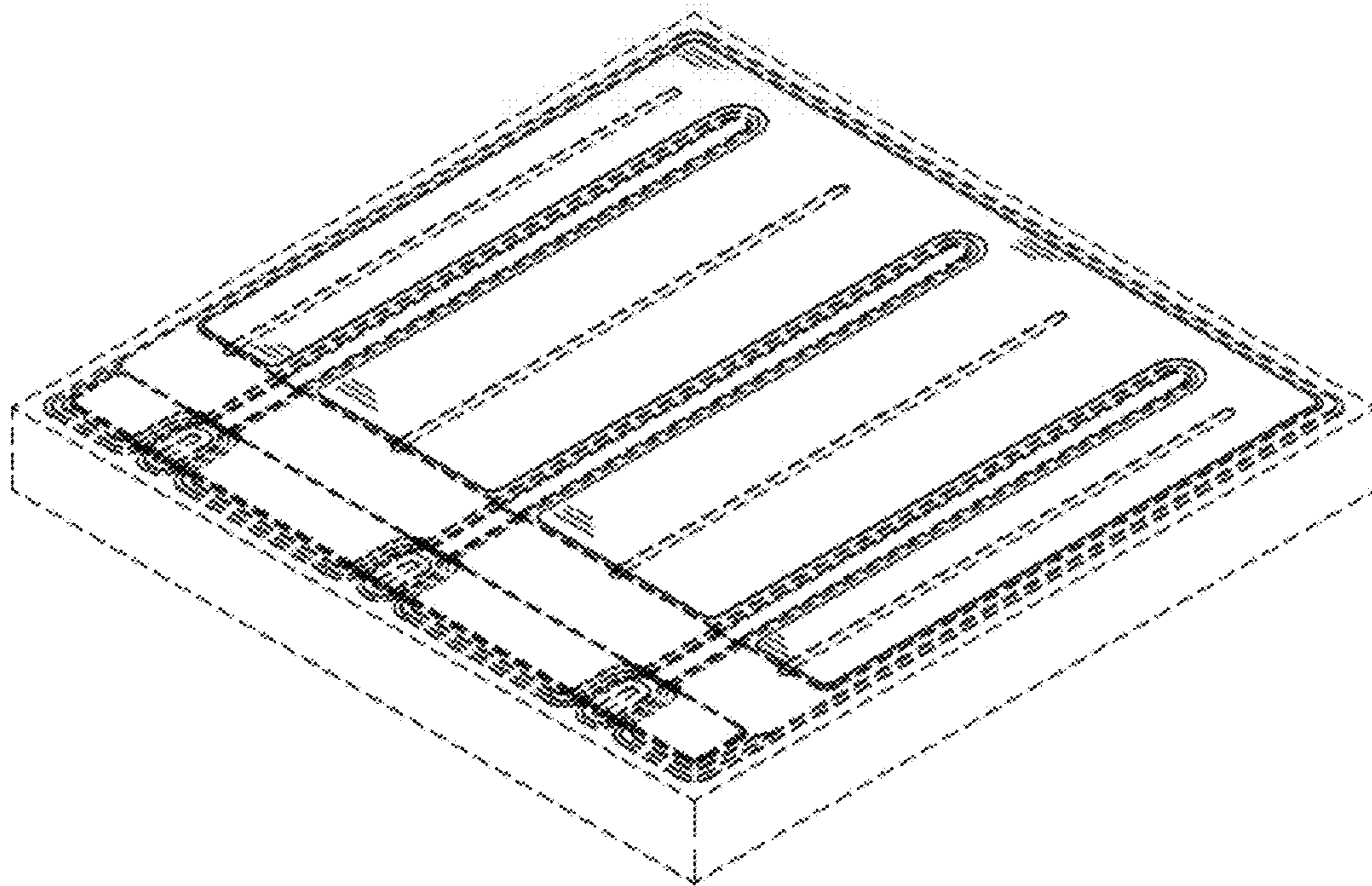


FIG.1

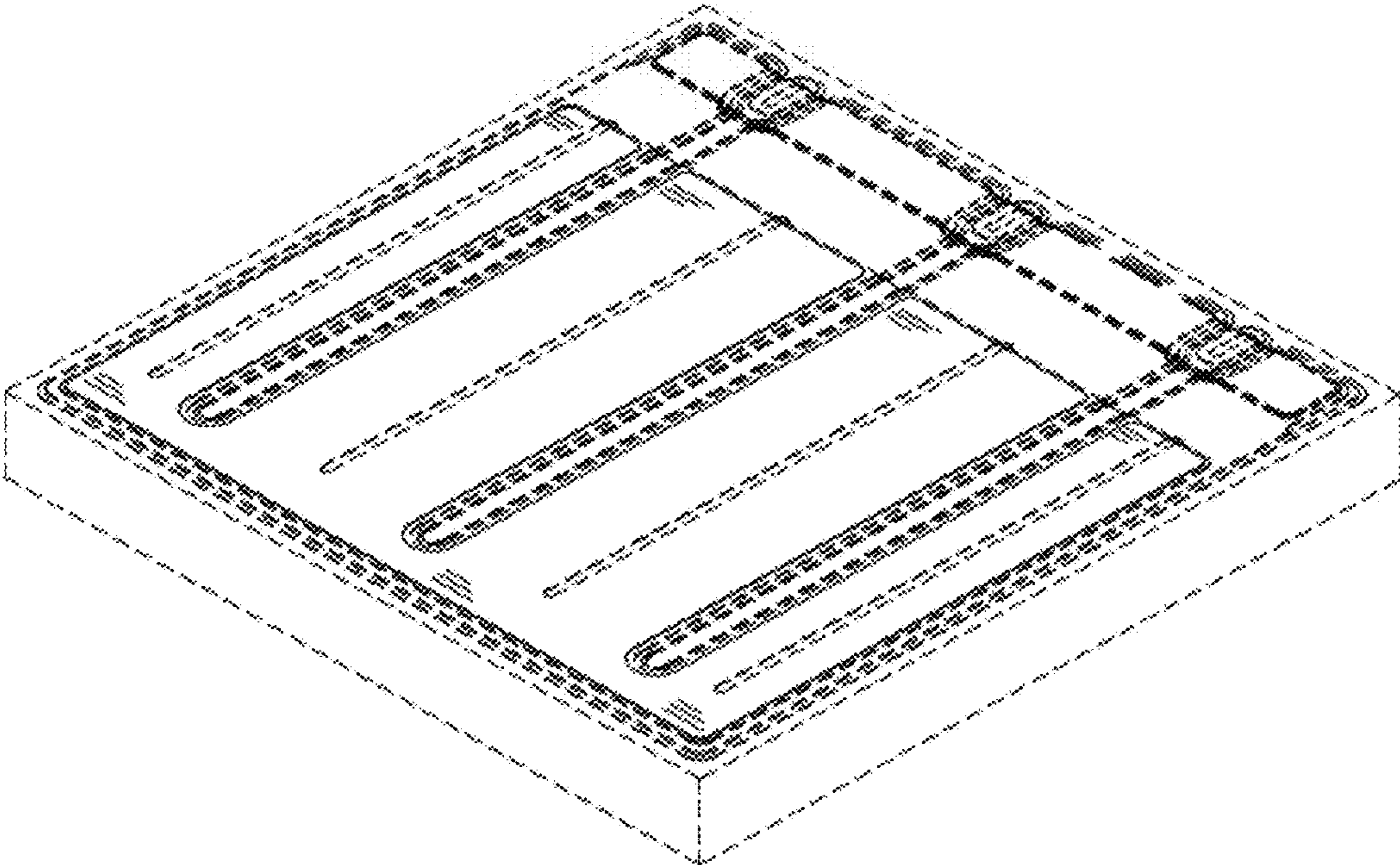


FIG.2

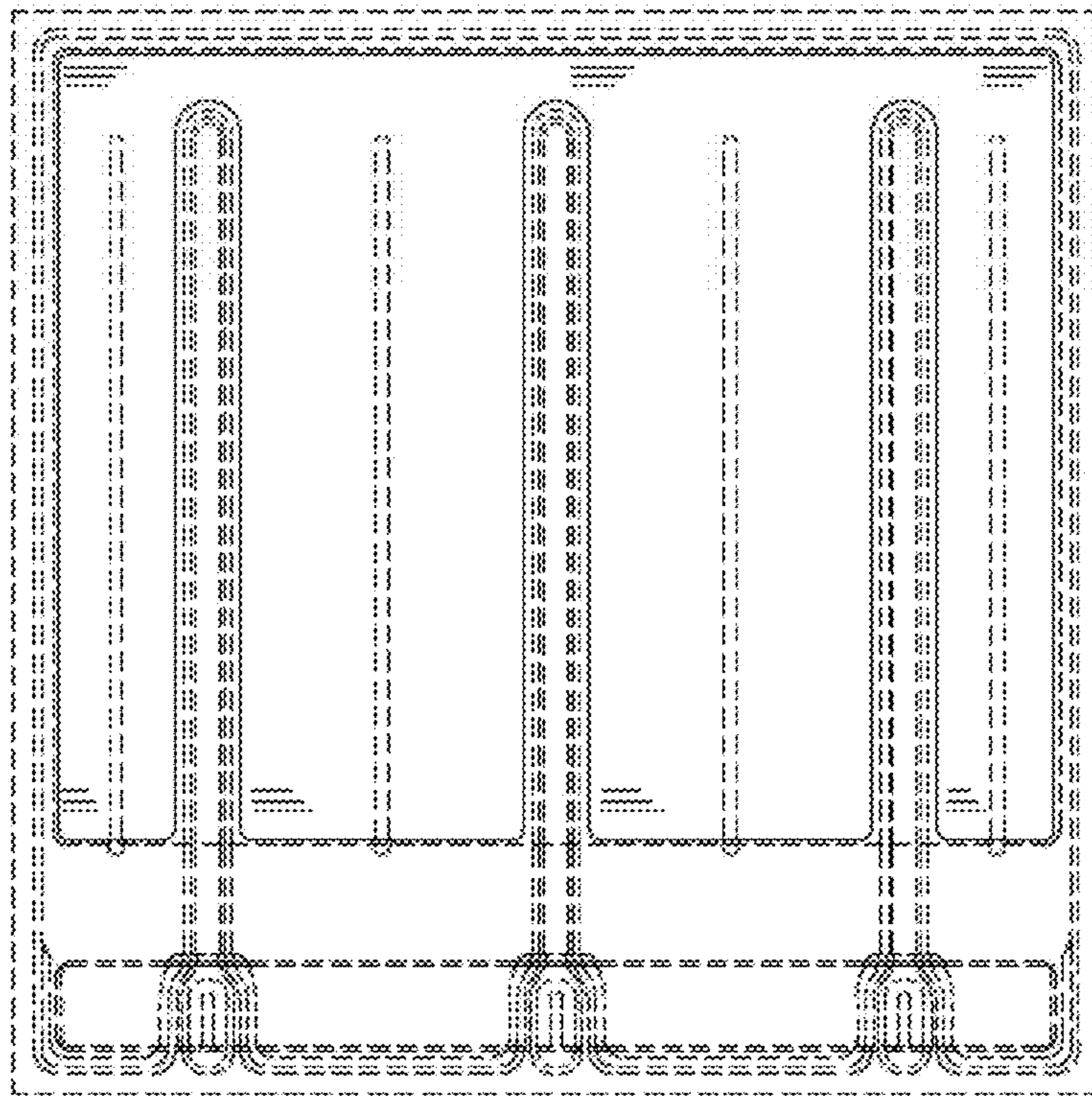


FIG.3

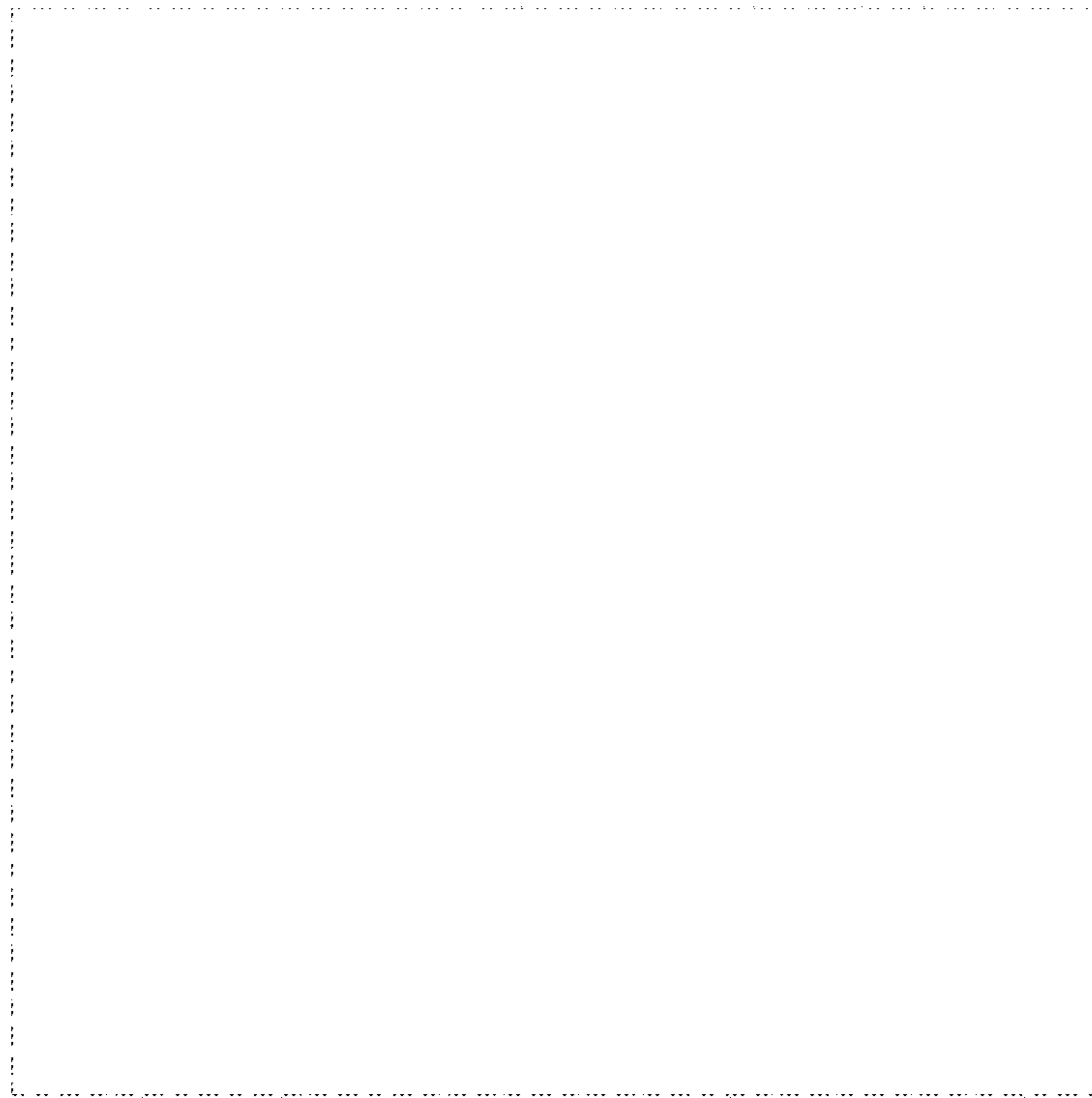


FIG.4



FIG.5



FIG.6



FIG.7



FIG.8