

US00D764421S

(12) **United States Design Patent**  
**Kao et al.**

(10) **Patent No.:** **US D764,421 S**

(45) **Date of Patent:** **\*\* Aug. 23, 2016**

(54) **PORTIONS OF LIGHT-EMITTING DIODE UNIT**

(71) Applicant: **EPISTAR CORPORATION**, Hsinchu (TW)

(72) Inventors: **Hui-Fang Kao**, Hsinchu (TW);  
**Tzu-Chieh Hsu**, Hsinchu (TW);  
**Yao-Ning Chan**, Hsinchu (TW);  
**Yi-Ming Chen**, Hsinchu (TW)

(73) Assignee: **EPISTAR CORPORATION**, Hsinchu (TW)

(\*\*) Term: **14 Years**

(21) Appl. No.: **29/516,238**

(22) Filed: **Jan. 30, 2015**

(30) **Foreign Application Priority Data**

Aug. 20, 2014 (TW) ..... 103304934

(51) **LOC (10) Cl.** ..... **13-03**

(52) **U.S. Cl.**  
USPC ..... **D13/180**

(58) **Field of Classification Search**

USPC ..... D13/180; D26/1  
CPC . H01L 25/167; H01L 25/0753; H01L 27/15;  
H01L 27/156; H01L 31/02; H01L 33/00;  
H01L 33/04; H01L 33/08; H01L 33/10;  
H01L 33/20; H01L 33/38; H01L 33/42;  
H01L 33/48; H01L 33/62; H01L 33/483;  
H01L 33/486; F21K 9/00; F21K 9/30;  
F21K 9/54

See application file for complete search history.

(56) **References Cited**

**U.S. PATENT DOCUMENTS**

6,573,537 B1 \* 6/2003 Steigerwald ..... H01L 25/0753  
257/103  
7,217,947 B2 \* 5/2007 Clarke ..... H01L 33/08  
257/103  
7,795,610 B2 \* 9/2010 Kim ..... H01L 33/38  
257/35  
D648,287 S \* 11/2011 Hsu ..... D13/180

D656,908 S \* 4/2012 Hsu ..... D13/180  
8,188,505 B2 \* 5/2012 Shen ..... H01L 33/20  
257/98  
8,581,279 B2 \* 11/2013 Baur ..... H01L 33/38  
257/98  
D707,641 S \* 6/2014 Lu ..... D13/180  
D709,840 S \* 7/2014 Tsai ..... D13/180  
D711,841 S \* 8/2014 Britt ..... D13/180  
D716,238 S \* 10/2014 Yeh ..... D13/180  
8,884,328 B2 \* 11/2014 Lim ..... H01L 33/20  
257/88  
D725,051 S \* 3/2015 Kao ..... D13/180  
D730,303 S \* 5/2015 Chou ..... D13/180  
D737,228 S \* 8/2015 Chen ..... D13/180

(Continued)

*Primary Examiner* — Selina Sikder

(74) *Attorney, Agent, or Firm* — Dithavong & Steiner, P.C.

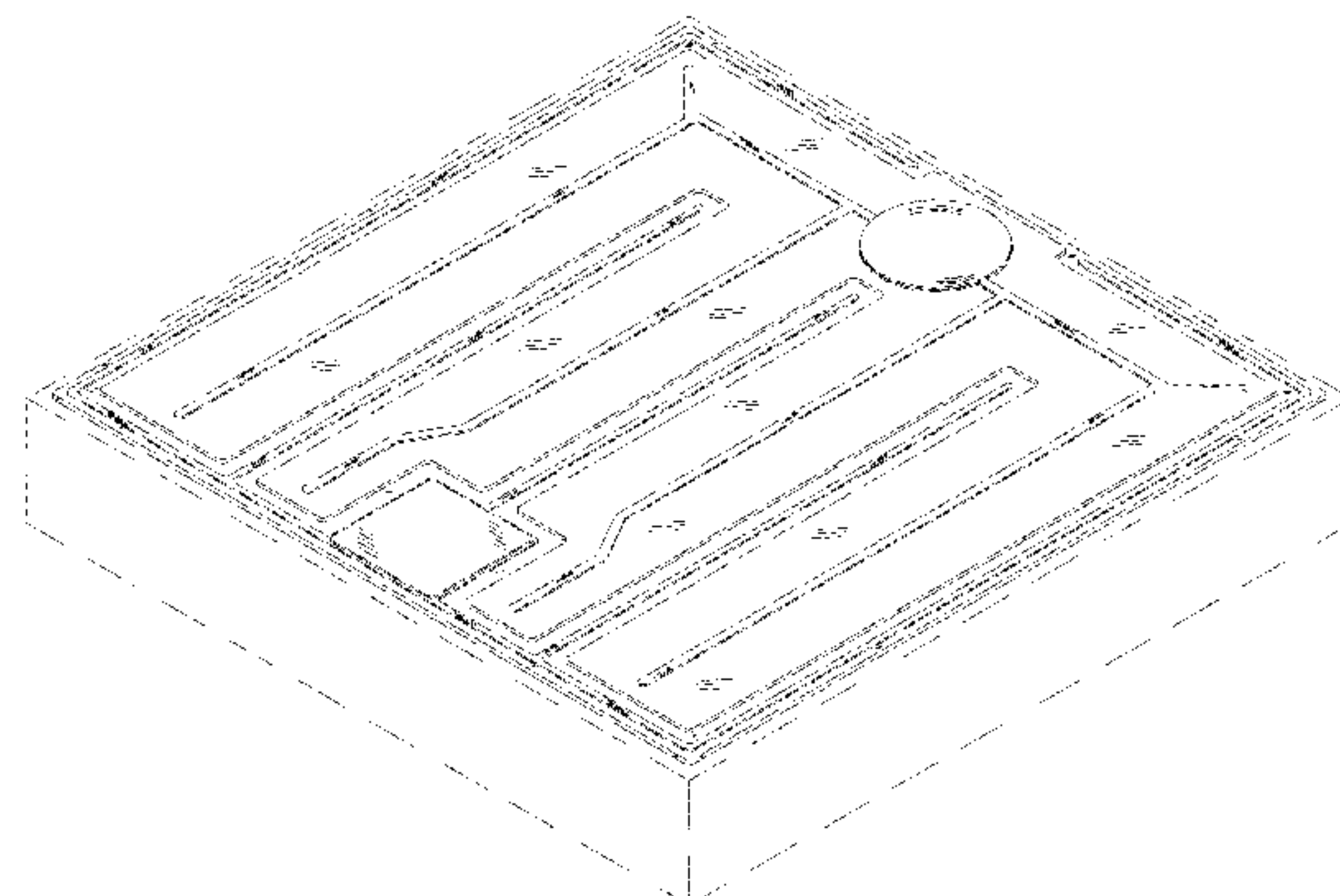
(57) **CLAIM**

The ornamental design for portions of light-emitting diode unit, as shown and described.

**DESCRIPTION**

FIG. 1 is a front perspective view of portions of light-emitting diode unit showing our new design;  
FIG. 2 is another front perspective view of the portions of light-emitting diode unit thereof;  
FIG. 3 is a top plan view of the portions of light-emitting diode unit thereof;  
FIG. 4 is a bottom plan view of the portions of light-emitting diode unit thereof;  
FIG. 5 is a left side view of the portions of light-emitting diode unit thereof;  
FIG. 6 is a right side view of the portions of light-emitting diode unit thereof;  
FIG. 7 is a rear elevational view of the portions of light-emitting diode unit thereof; and,  
FIG. 8 is a front elevational view of the portions of light-emitting diode unit in accordance with the first embodiment. The broken lines in the drawing views are shown for illustrative purposes only and form no part of the claimed design.

**1 Claim, 6 Drawing Sheets**



# US D764,421 S

Page 2

---

(56)

## References Cited

### U.S. PATENT DOCUMENTS

D743,919 S \* 11/2015 Tsai ..... D13/180  
9,257,481 B2 \* 2/2016 Yang ..... H01L 27/153  
2003/0107053 A1 \* 6/2003 Uemura ..... H01L 33/32  
257/200  
2009/0159909 A1 \* 6/2009 Lee ..... H01L 33/38  
257/96  
2011/0278631 A1 \* 11/2011 Shen ..... H01L 33/38  
257/99

2012/0241808 A1 \* 9/2012 Akiyama ..... H01L 33/38  
257/99  
2013/0032848 A1 \* 2/2013 Chen ..... H01L 33/38  
257/99  
2013/0228802 A1 \* 9/2013 Wang ..... F21K 9/00  
257/88  
2014/0034981 A1 \* 2/2014 Hung ..... H01L 33/46  
257/98

\* cited by examiner

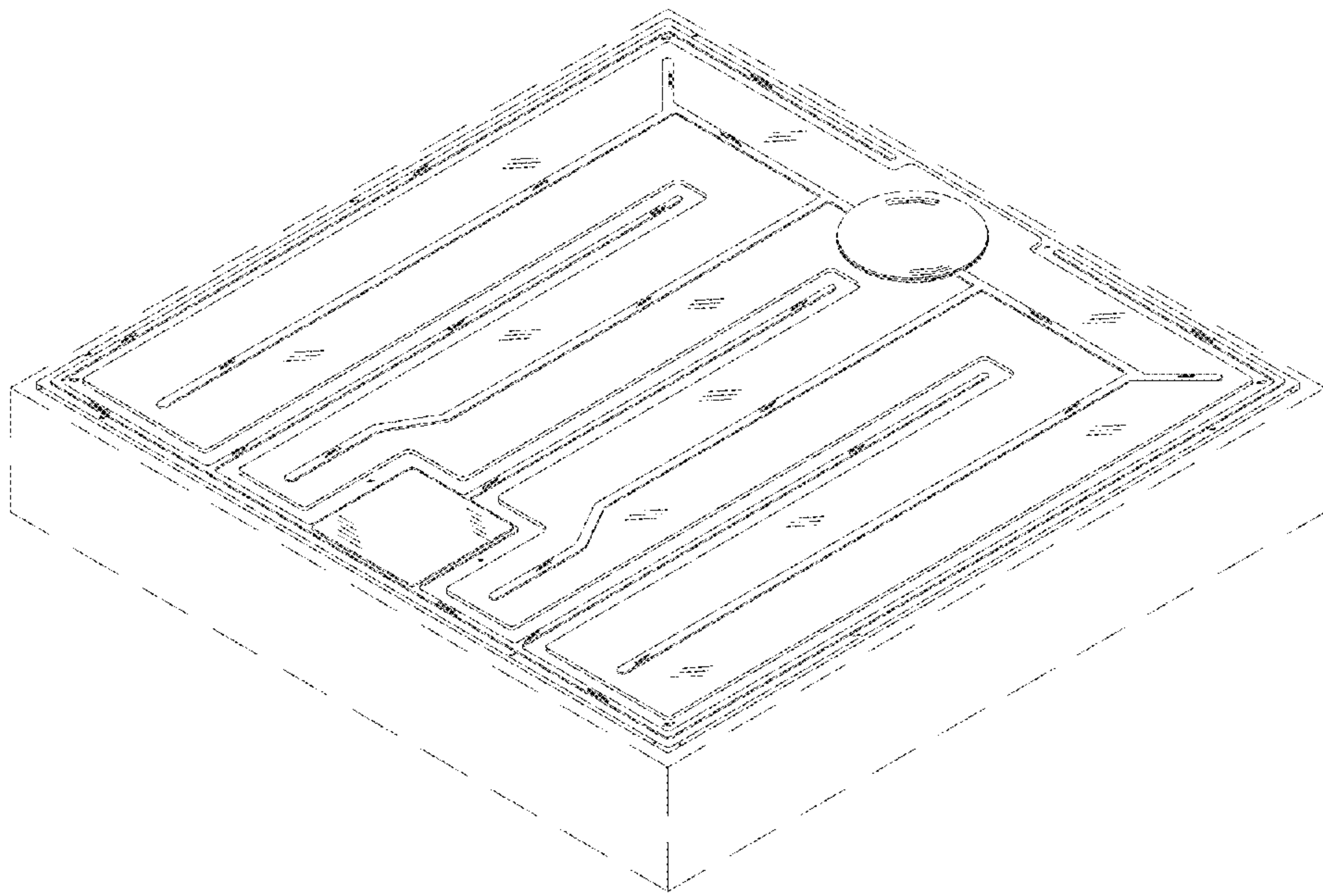


FIG. 1

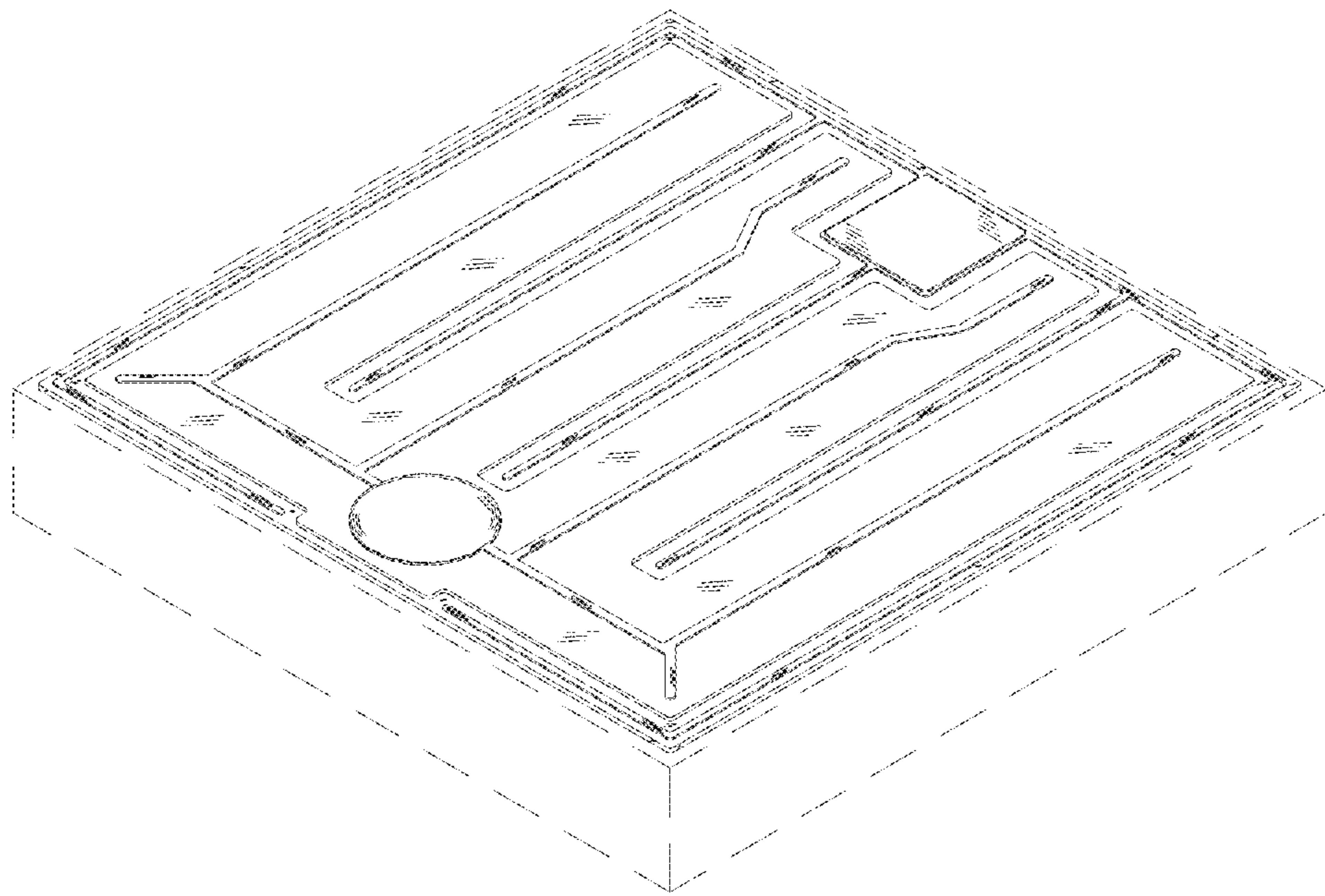


FIG. 2

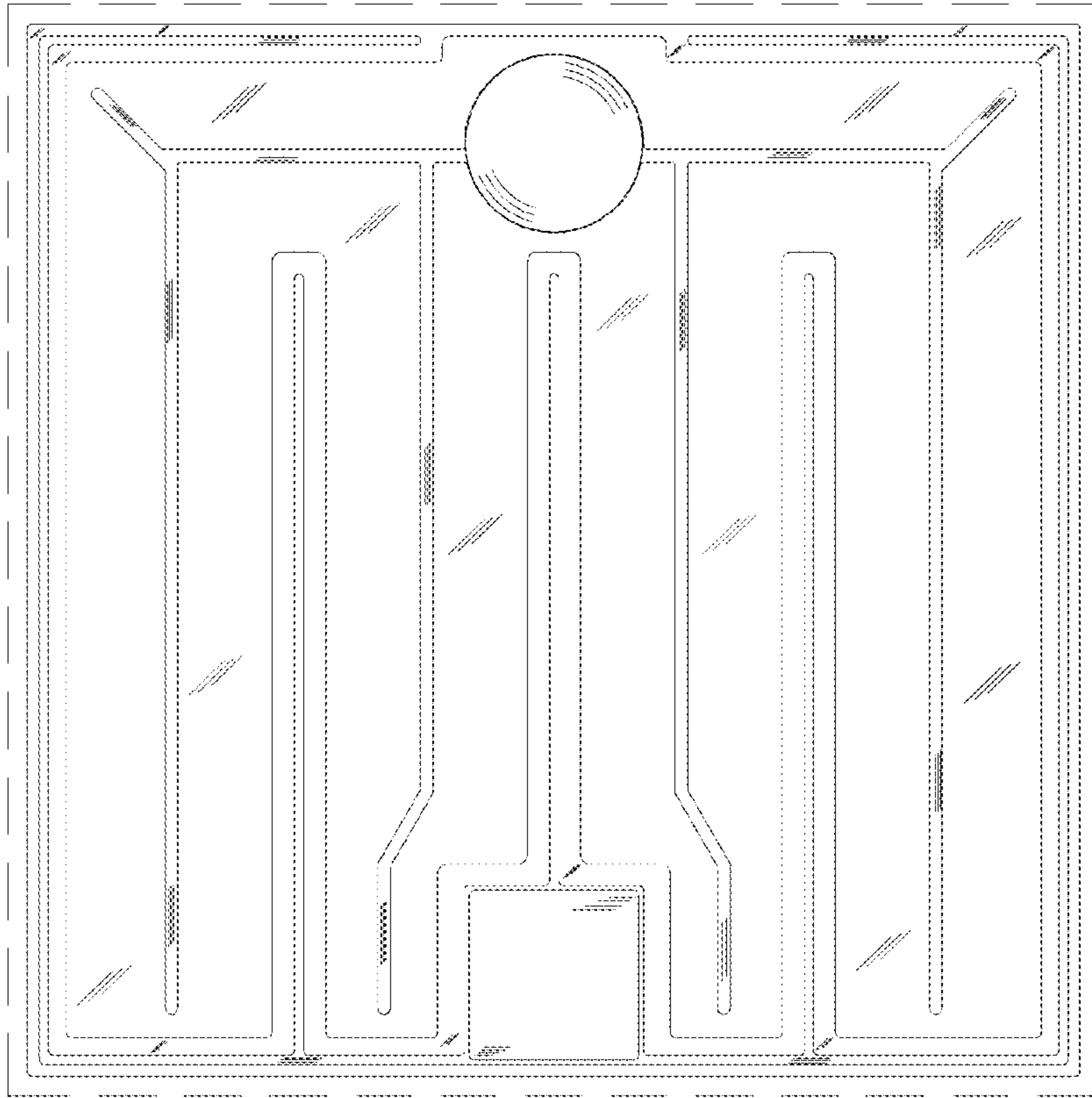


FIG. 3





FIG. 4

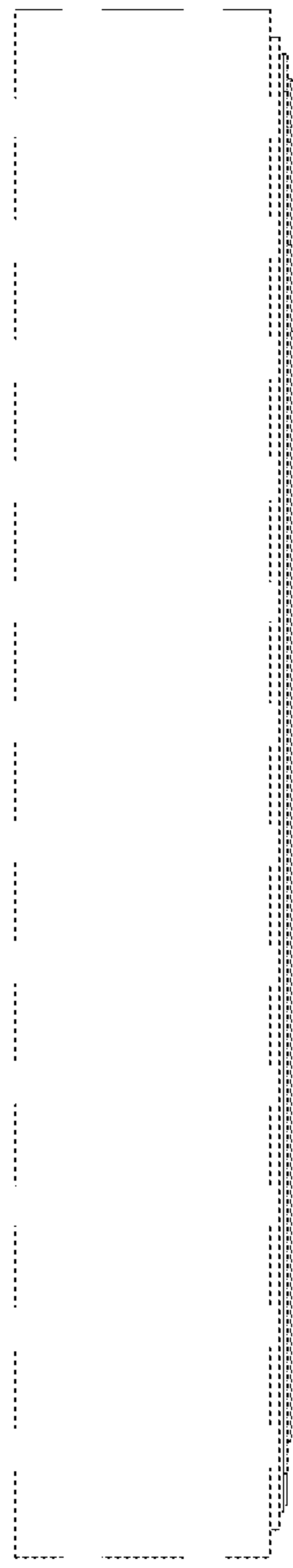


FIG. 5

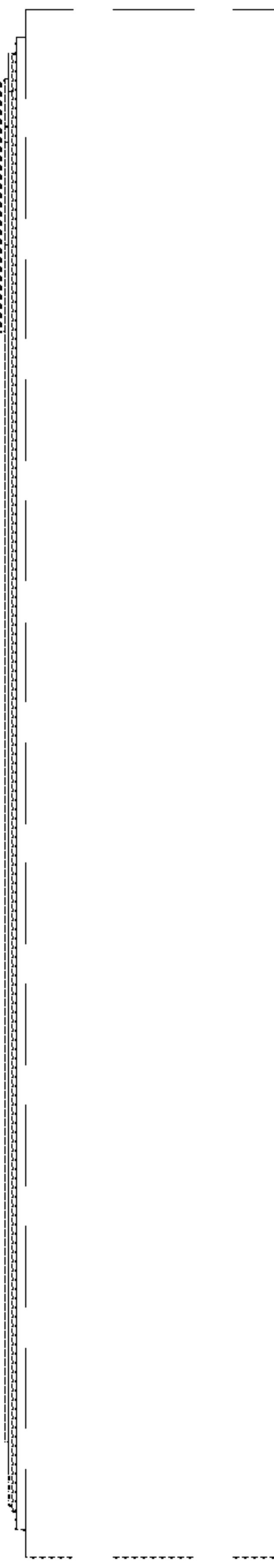


FIG. 6

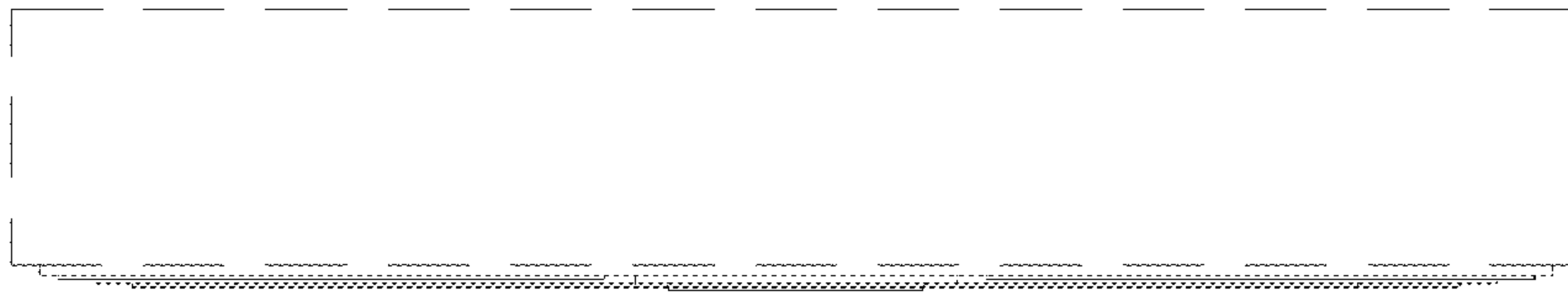


FIG. 7

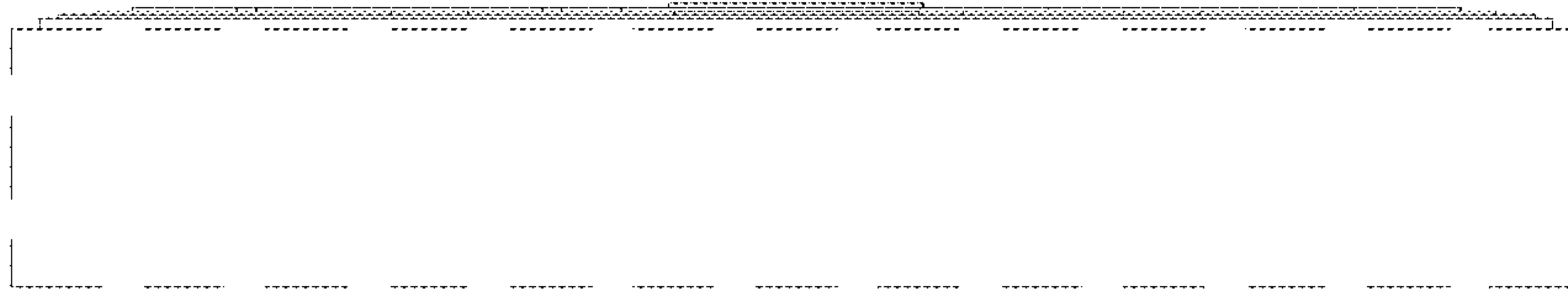


FIG. 8