



US00D764420S

(12) **United States Design Patent**
Naka et al.

(10) **Patent No.:** **US D764,420 S**
(45) **Date of Patent:** **** Aug. 23, 2016**

(54) **PUSH SWITCH**

(71) Applicant: **OMRON Corporation**, Kyoto-shi,
Kyoto (JP)

(72) Inventors: **Mamiko Naka**, Okayama (JP); **Kenshi Nagata**, Okayama (JP); **Hiroaki Fujino**, Okayama (JP)

(73) Assignee: **OMRON Corporation**, Kyoto (JP)

(**) Term: **15 Years**

(21) Appl. No.: **29/529,934**

(22) Filed: **Jun. 11, 2015**

(30) **Foreign Application Priority Data**

Dec. 12, 2014 (JP) 2014-027756

(51) **LOC (10) Cl.** **13-03**

(52) **U.S. Cl.**
USPC **D13/171**

(58) **Field of Classification Search**
USPC D13/162, 171, 173, 174
CPC H01H 3/02; H01H 3/022; H01H 3/12;
H01H 3/122; H01H 9/02; H01H 9/0235;
H01H 13/023; H01H 13/04; H01H 13/06;
H01H 13/063; H01H 13/10; H01H 13/12;
H01H 13/14; H01H 13/36; H01H 13/64;
H01H 13/70; H01H 13/86; H01H 21/24;
H01H 25/065; H01H 23/00; A47C 7/506
See application file for complete search history.

(56) **References Cited**

U.S. PATENT DOCUMENTS

4,196,322 A * 4/1980 Hattori H01H 15/02
200/16 C
4,343,973 A * 8/1982 Main H01H 13/02
200/5 A
4,388,503 A * 6/1983 Penland H01H 13/64
200/5 R

4,544,811 A * 10/1985 Brevick H01H 9/38
200/10
4,760,218 A * 7/1988 Gutman B60Q 3/004
200/17 R
4,792,649 A * 12/1988 Wada H01H 13/72
200/5 E
D310,202 S * 8/1990 Suck D13/164
D319,216 S * 8/1991 Hoffman D13/171
D319,628 S * 9/1991 Whitley, II D13/171
D330,012 S * 10/1992 Takahashi D13/162
D337,312 S * 7/1993 Kapp D13/164
5,952,731 A * 9/1999 McPherson G07C 9/0069
180/287
6,140,593 A * 10/2000 Bramesfeld H01H 13/70
200/341
6,297,810 B1 * 10/2001 Anderson H01H 13/70
345/104
6,633,011 B2 * 10/2003 Ogawa H01H 13/70
200/343
6,724,102 B1 * 4/2004 Kelwaski B60L 1/00
307/10.1
D529,449 S * 10/2006 Pratt D13/171
D537,796 S * 3/2007 Fabrizi D13/171

(Continued)

Primary Examiner — Selina Sikder

(74) *Attorney, Agent, or Firm* — Sterne, Kessler, Goldstein & Fox P.L.L.C.

(57) **CLAIM**

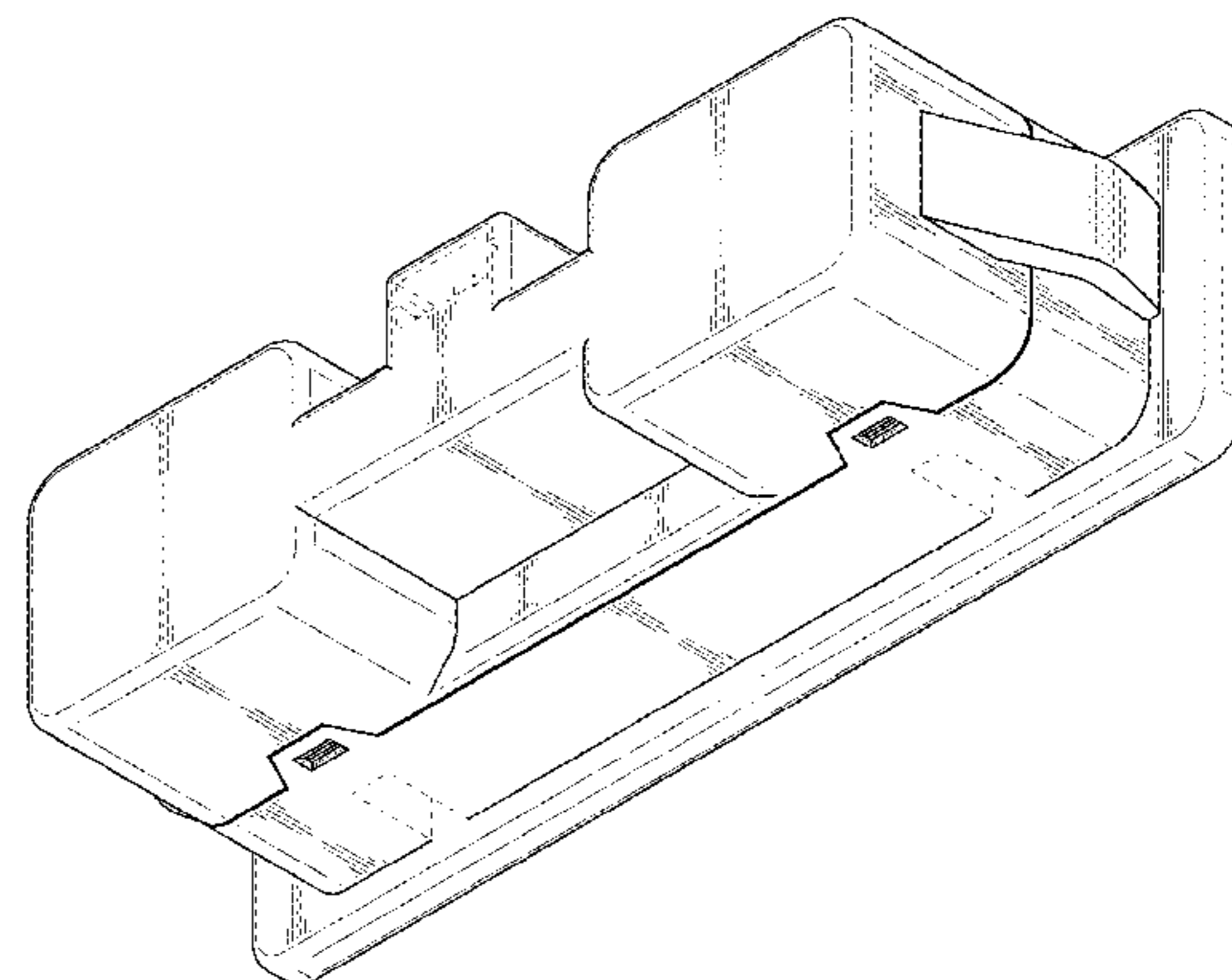
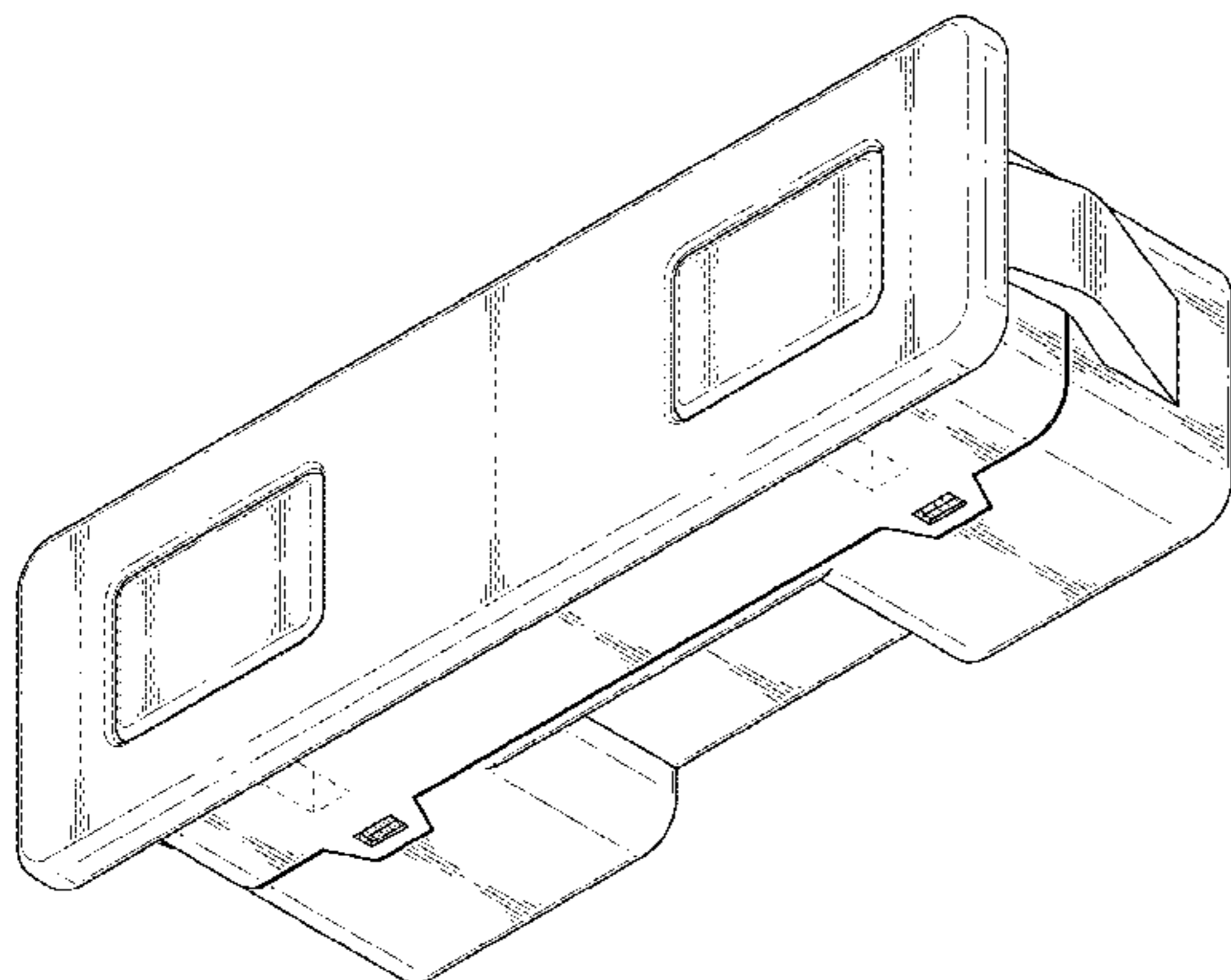
The ornamental design for a push switch, as shown and described.

DESCRIPTION

FIG. 1 is a bottom front perspective view of a push switch showing our new design;
FIG. 2 is a bottom rear perspective view thereof;
FIG. 3 is a front view thereof;
FIG. 4 is a rear view thereof;
FIG. 5 is a left side view thereof;
FIG. 6 is a right side view thereof;
FIG. 7 is a top view thereof; and,
FIG. 8 is a bottom view thereof.

The broken lines in the figures show portions of the push switch that form no part of the claimed design.

1 Claim, 3 Drawing Sheets



(56)

References Cited

U.S. PATENT DOCUMENTS

7,202,431	B2 *	4/2007	Gauzin	H01H 11/0018 200/329
7,332,681	B2 *	2/2008	Wohlfart	H01H 3/122 200/345
D626,093	S *	10/2010	Bates	D13/174
7,829,813	B2 *	11/2010	Murase	H01H 13/70 200/517
8,106,325	B2 *	1/2012	Laurent	H01H 13/70 200/296
D694,715	S *	12/2013	Fichte	D13/162
2009/0256727	A1 *	10/2009	Shi	H01H 13/70 341/22
2012/0160643	A1 *	6/2012	Fujibayashi	H01H 9/181 200/310
2013/0026340	A1 *	1/2013	Kanamori	H01H 13/06 250/200
2015/0083564	A1 *	3/2015	Verd Martinez	H01H 13/83 200/5 A
2015/0243454	A1 *	8/2015	Choi	B60K 37/06 200/5 A

* cited by examiner

FIG. 1

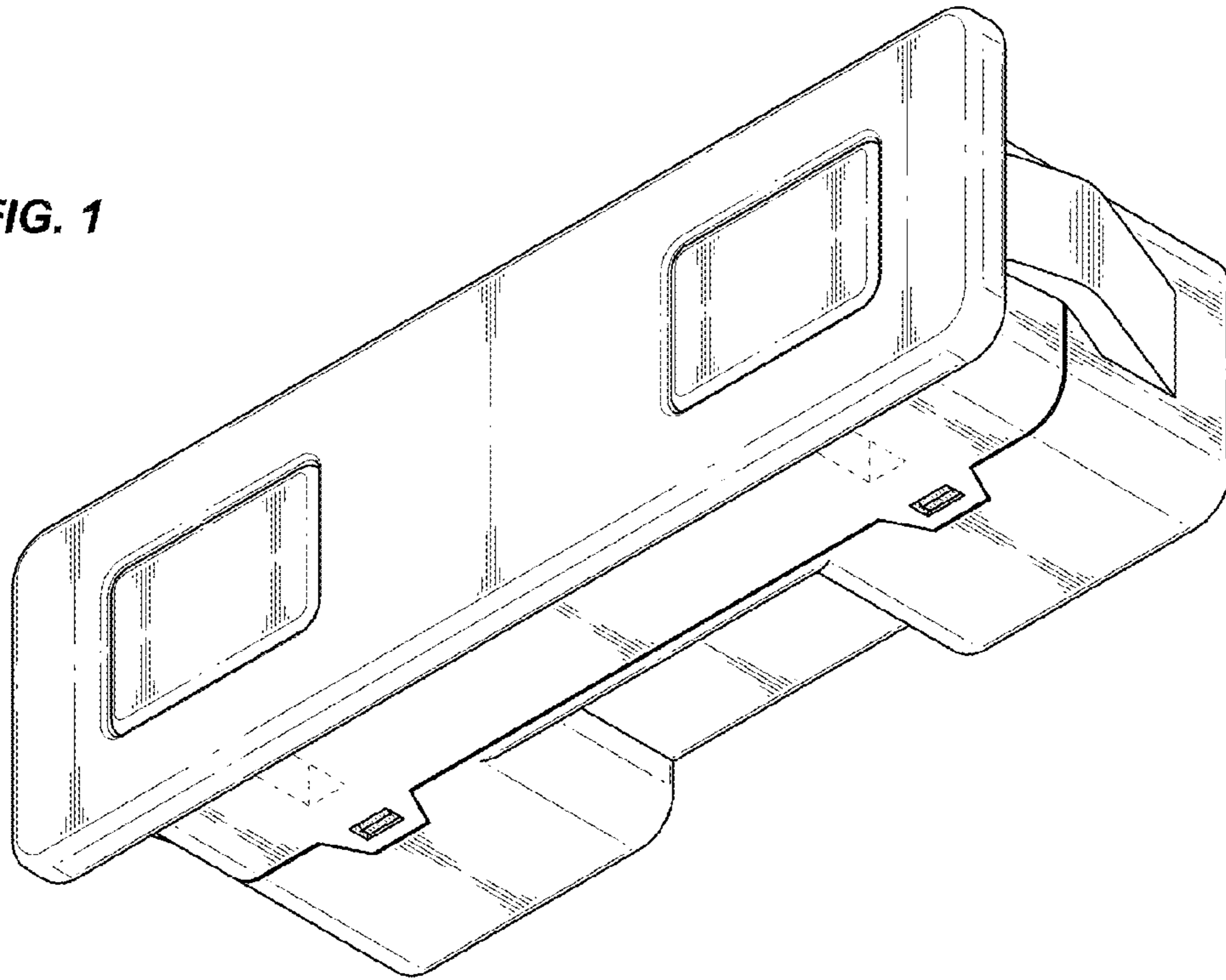


FIG. 2

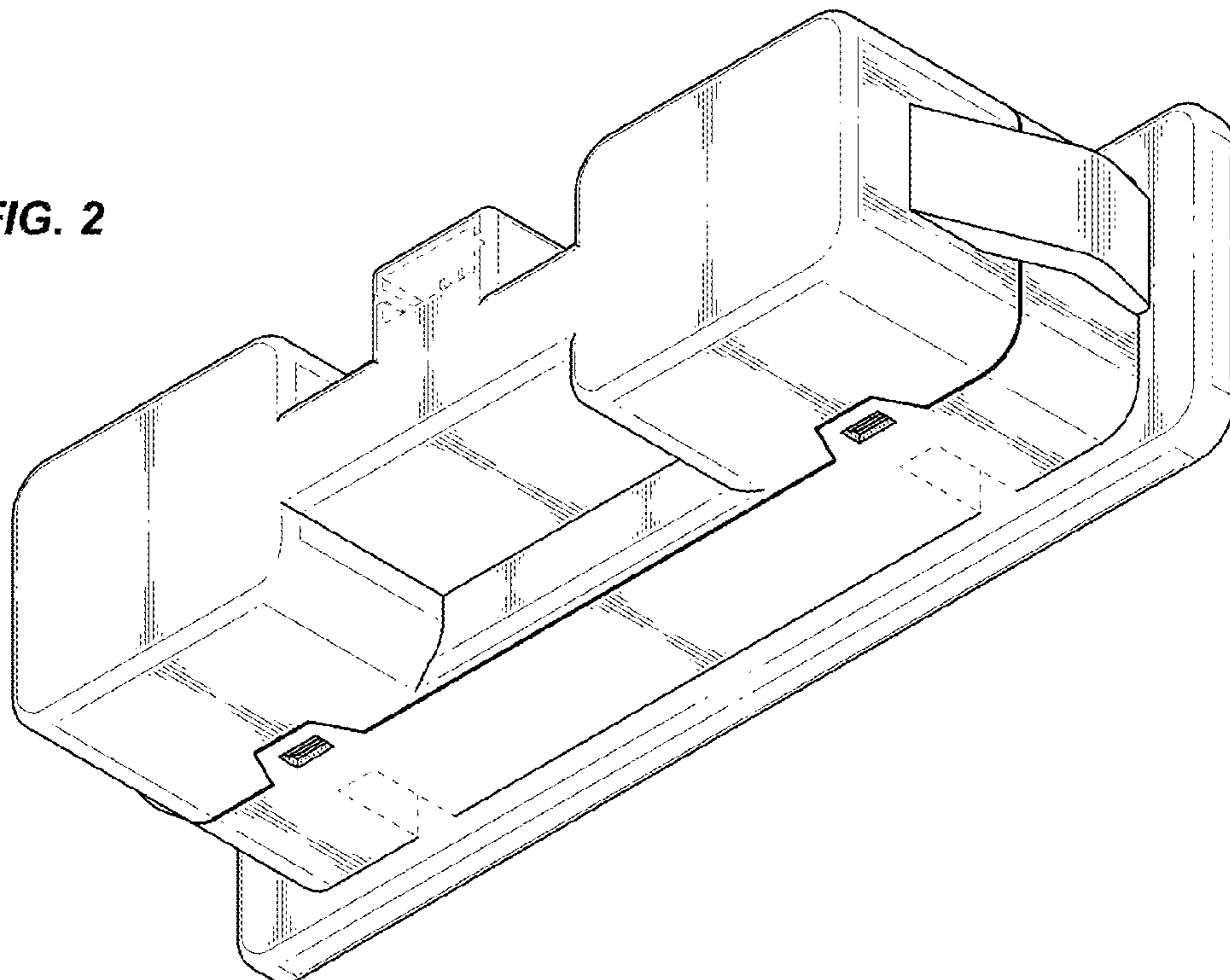


FIG. 3

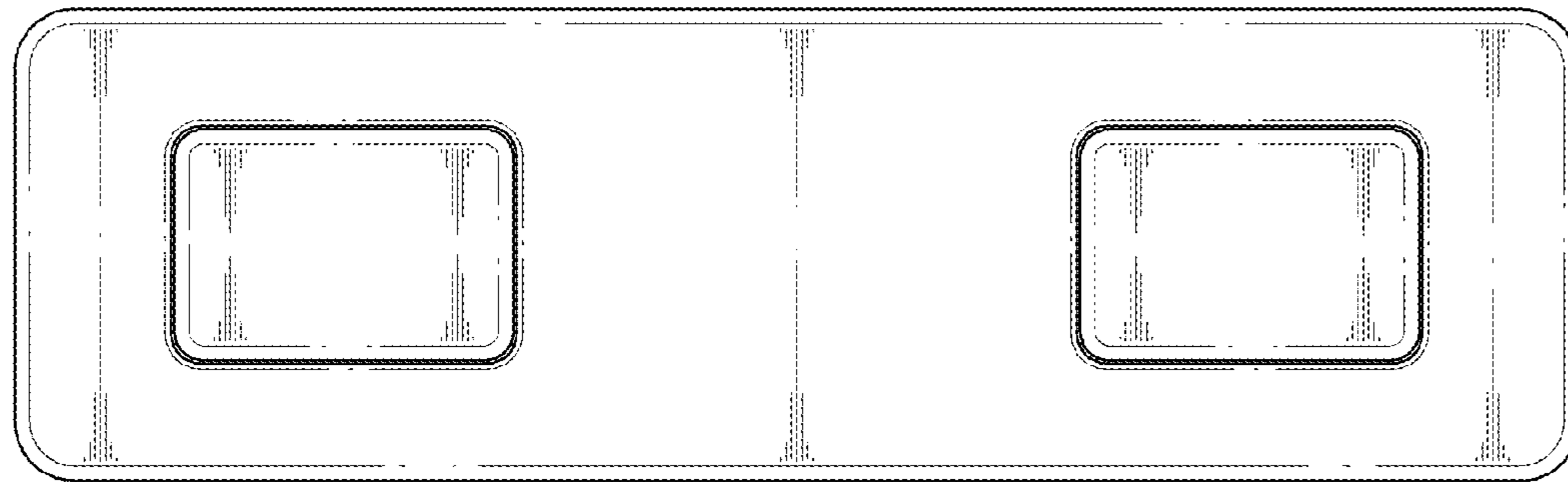


FIG. 4

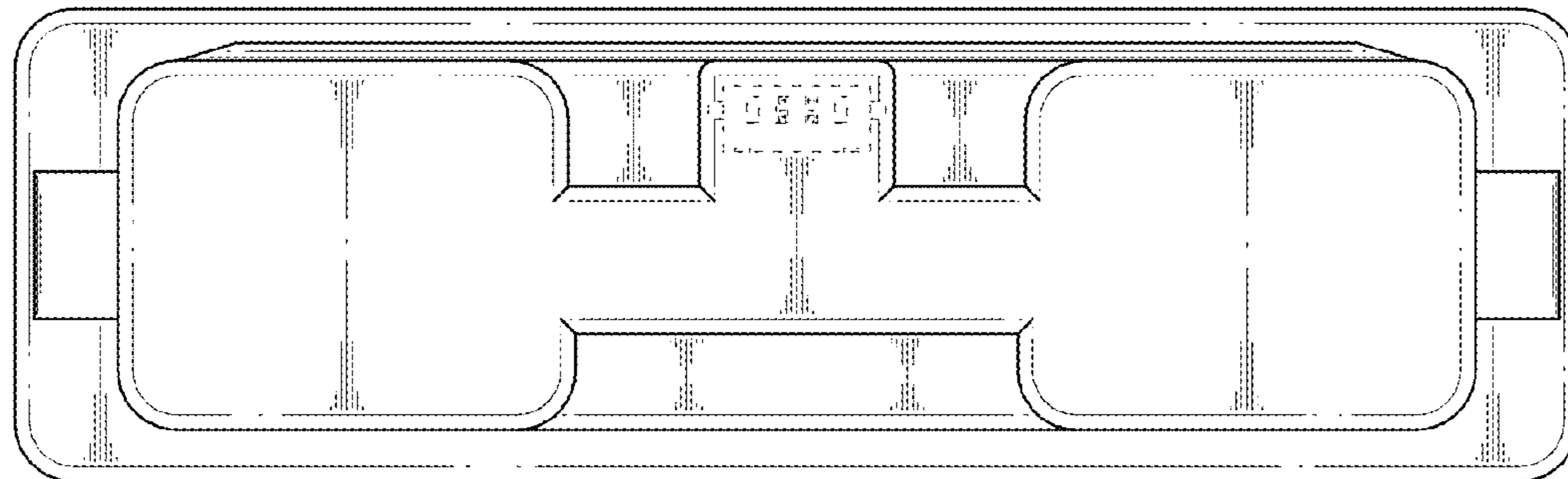


FIG. 5

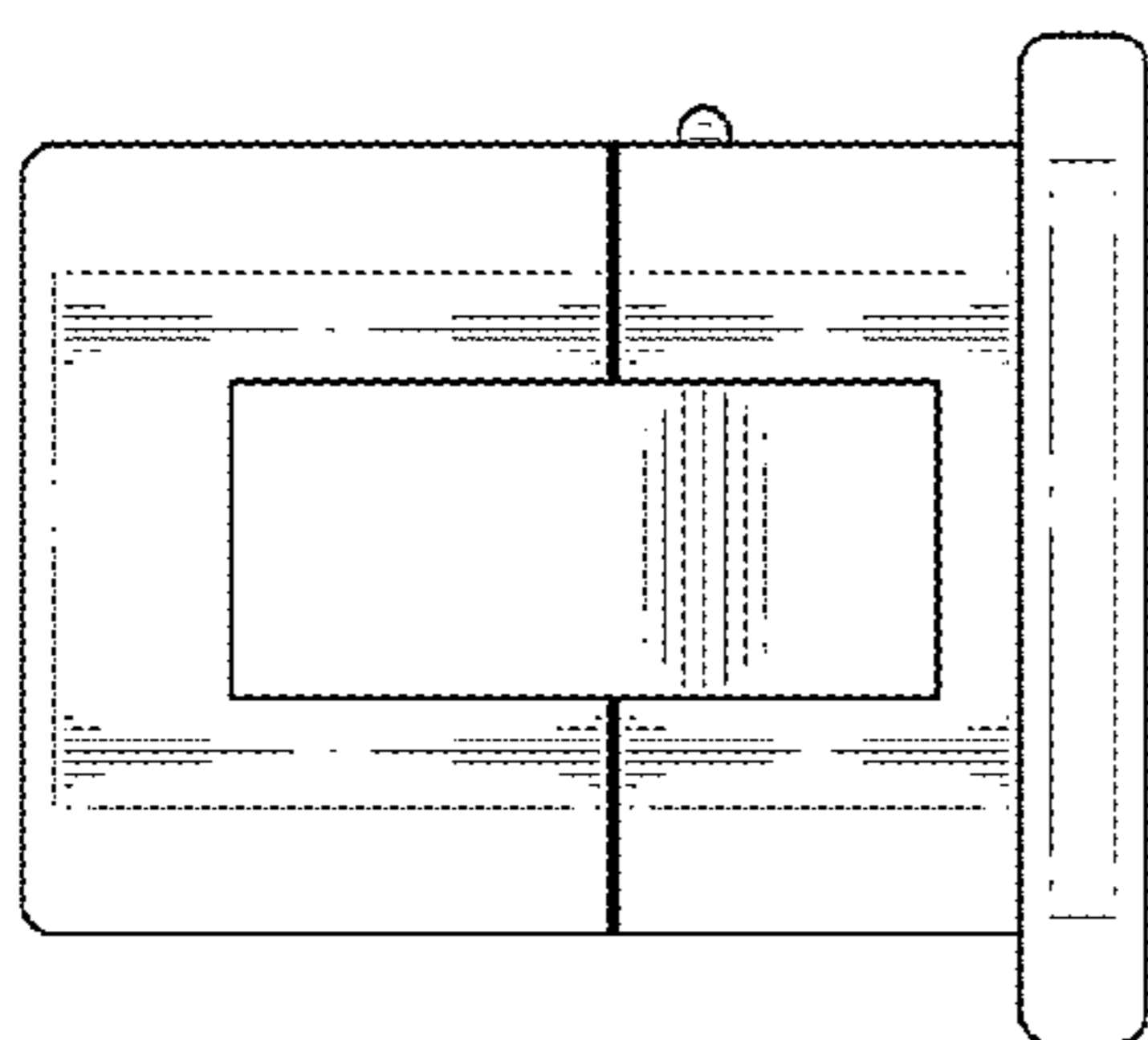


FIG. 6

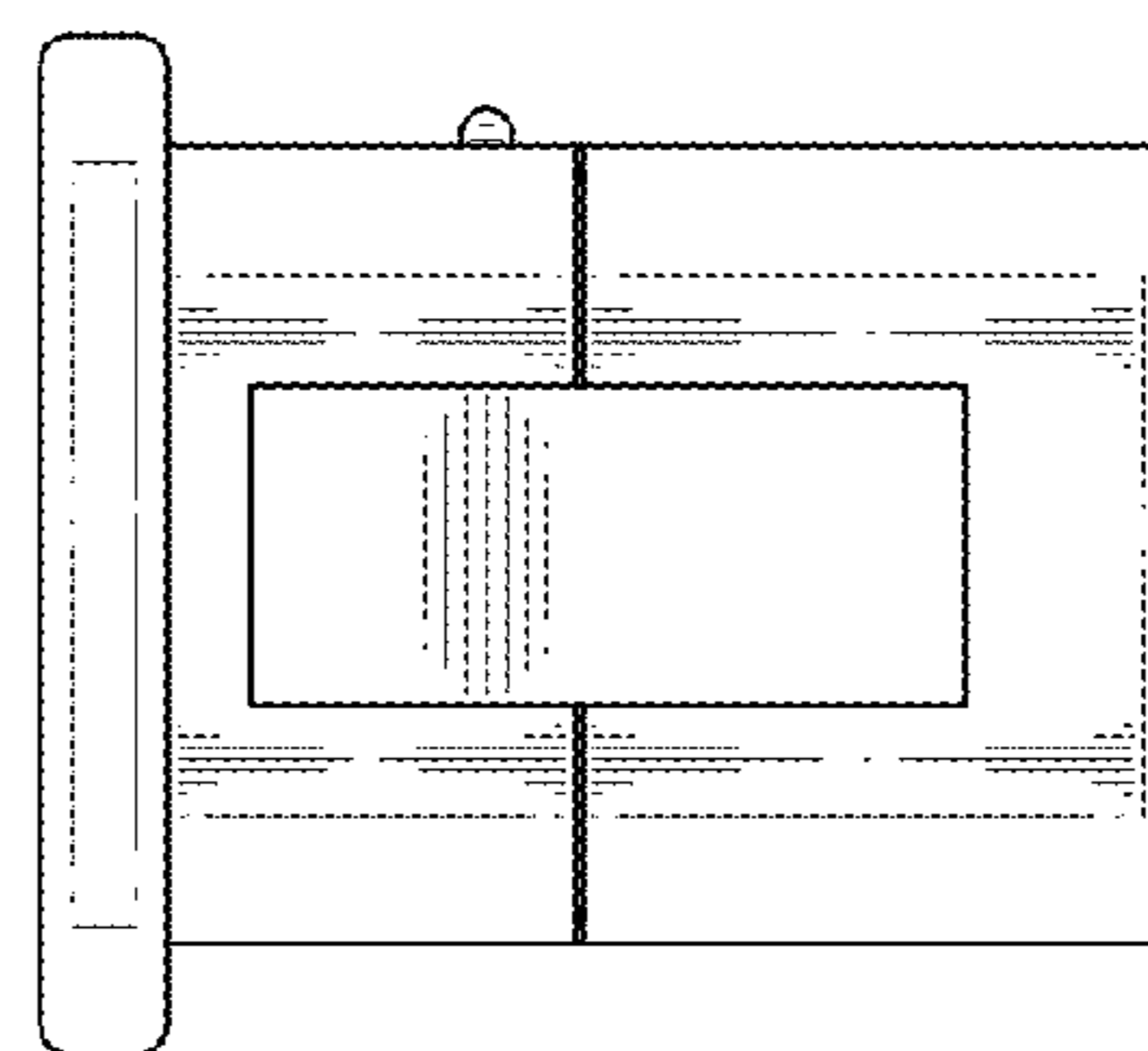


FIG. 7

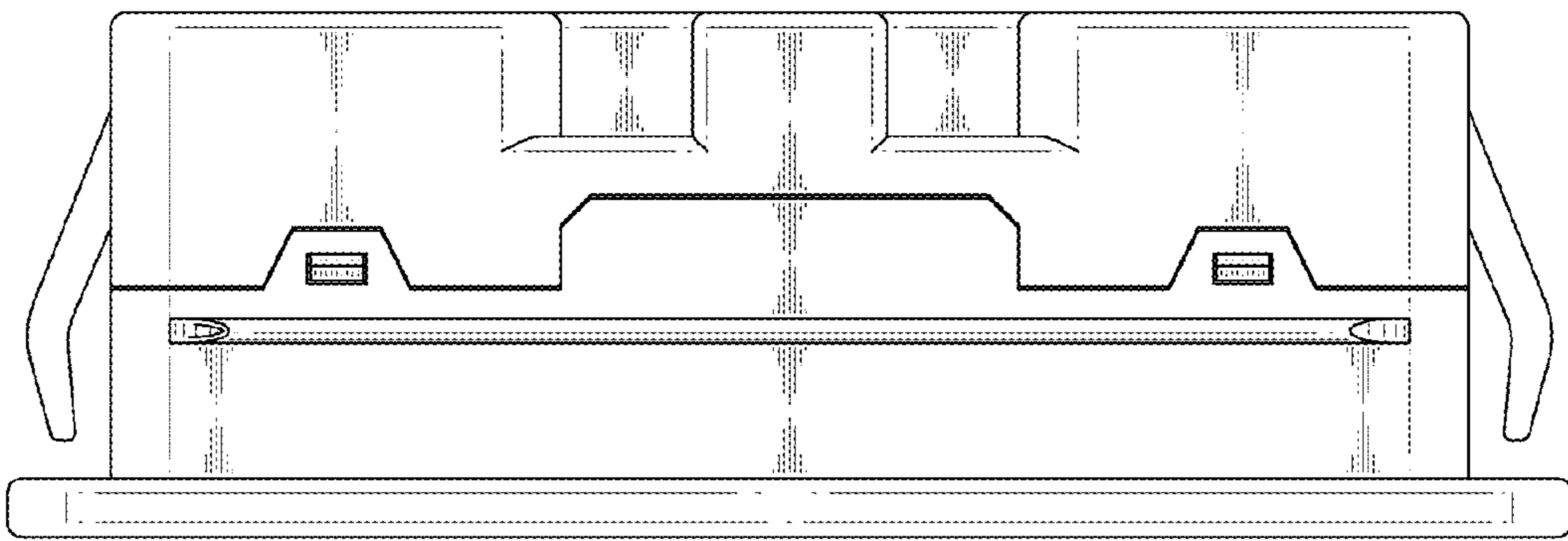


FIG. 8

