



US00D764416S

(12) **United States Design Patent** (10) **Patent No.:** **US D764,416 S**
Zhong et al. (45) **Date of Patent:** **** Aug. 23, 2016**

(54) **ELECTRICAL CONNECTOR**
(71) Applicant: **FOXCONN INTERCONNECT TECHNOLOGY LIMITED**, Grand Cayman (KY)

D733,659 S * 7/2015 Zhu D13/147
D736,714 S * 8/2015 Mongold D13/147
9,300,091 B2 * 3/2016 Katayanagi H01R 12/523
2016/0006196 A1 * 1/2016 Zhong H01R 24/60
439/638
2016/0079720 A1 * 3/2016 Zhong H01R 24/66
439/660

(72) Inventors: **Wei Zhong**, Kunshan (CN);
Jian-Kuang Zhu, Kunshan (CN);
Chun-Sheng Li, Kunshan (CN)

FOREIGN PATENT DOCUMENTS

TW M478940 5/2014

(73) Assignee: **FOXCONN INTERCONNECT TECHNOLOGY LIMITED**, Grand Cayman (KY)

* cited by examiner

Primary Examiner — Daniel Bui

(**) Term: **14 Years**

(74) *Attorney, Agent, or Firm* — Wei Te Chung; Ming Chieh Chang

(21) Appl. No.: **29/520,222**

(57) **CLAIM**

The ornamental design for an electrical connector, as shown and described.

(22) Filed: **Mar. 12, 2015**

(51) **LOC (10) Cl.** **13-03**

(52) **U.S. Cl.**
USPC **D13/147**

DESCRIPTION

(58) **Field of Classification Search**
USPC D13/133, 146, 147, 154, 184, 199
See application file for complete search history.

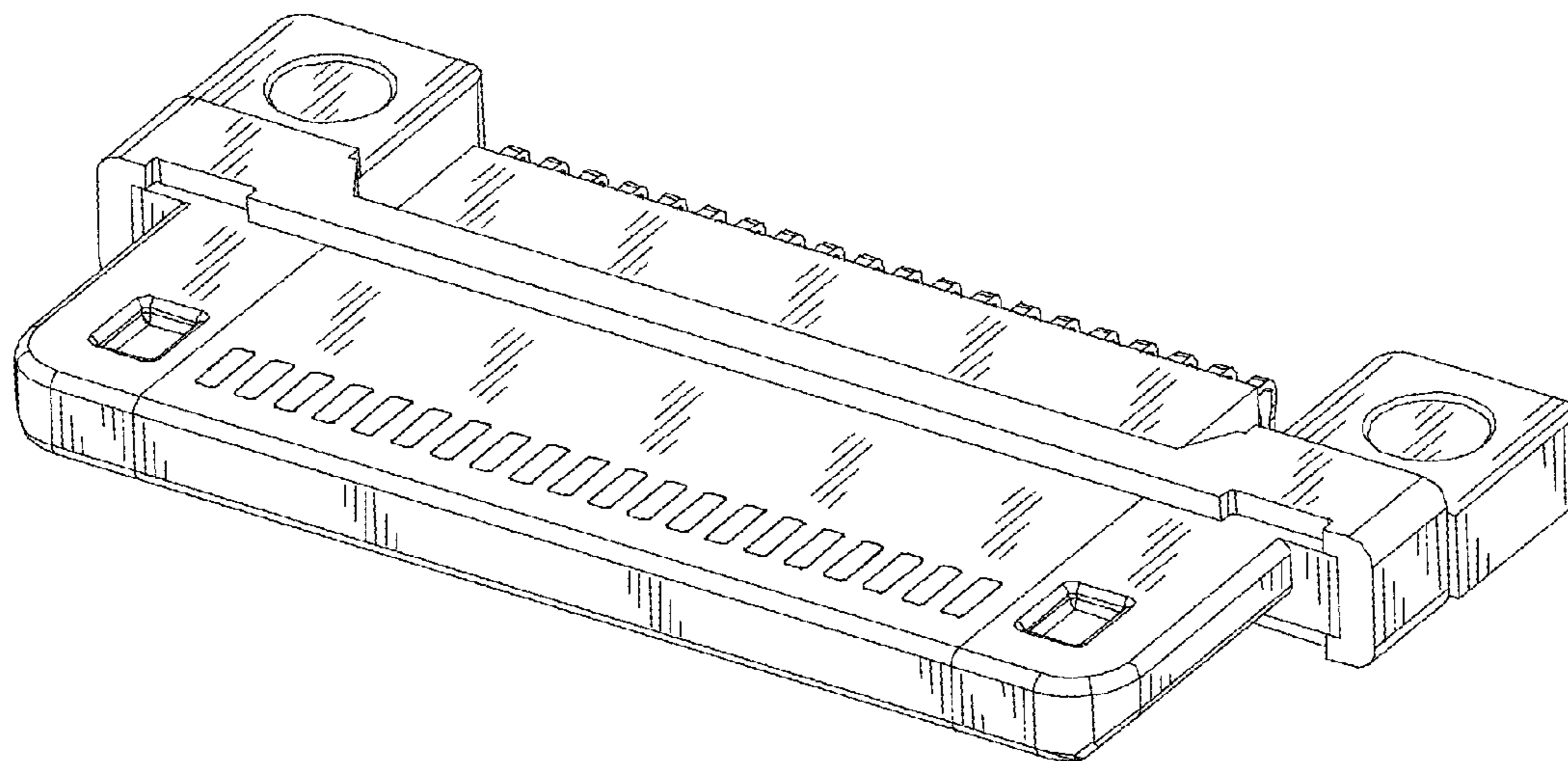
FIG. 1 is a front, top and right side perspective view of an electrical connector showing our new design;
FIG. 2 is a front elevational view thereof;
FIG. 3 is a rear elevational view thereof;
FIG. 4 is a left side elevational view thereof;
FIG. 5 is a right side elevational view thereof;
FIG. 6 is a top plan view thereof; and,
FIG. 7 is a bottom plan view thereof.

(56) **References Cited**

U.S. PATENT DOCUMENTS

D578,964 S * 10/2008 Luo D13/147
D578,965 S * 10/2008 Dively D13/152

1 Claim, 7 Drawing Sheets



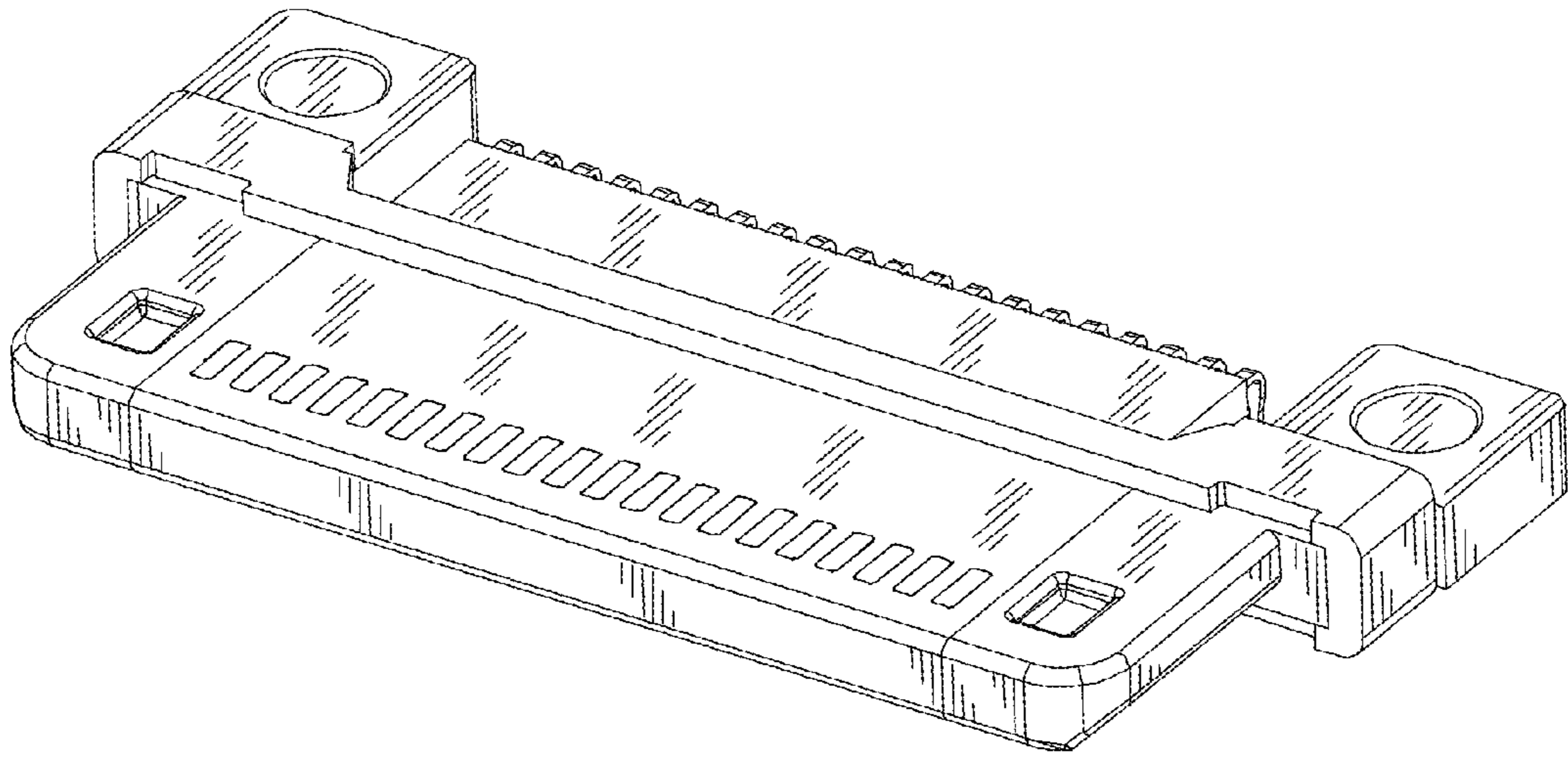


FIG. 1

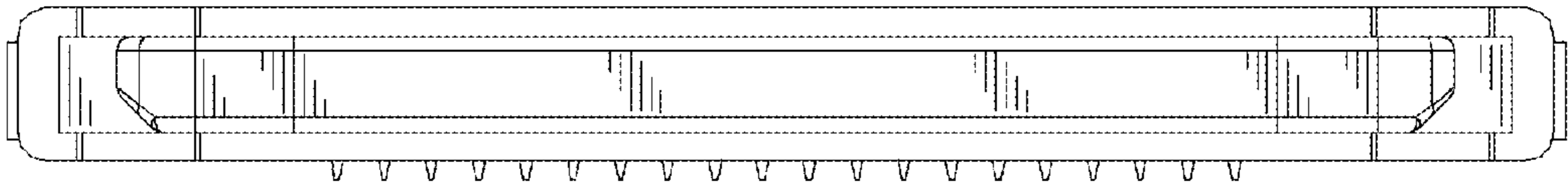


FIG. 2

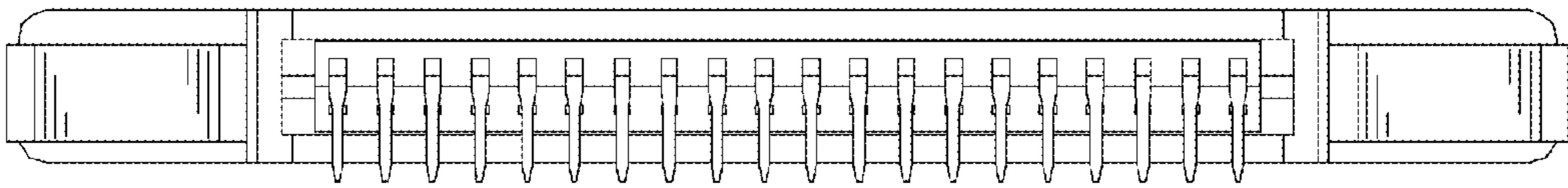


FIG. 3

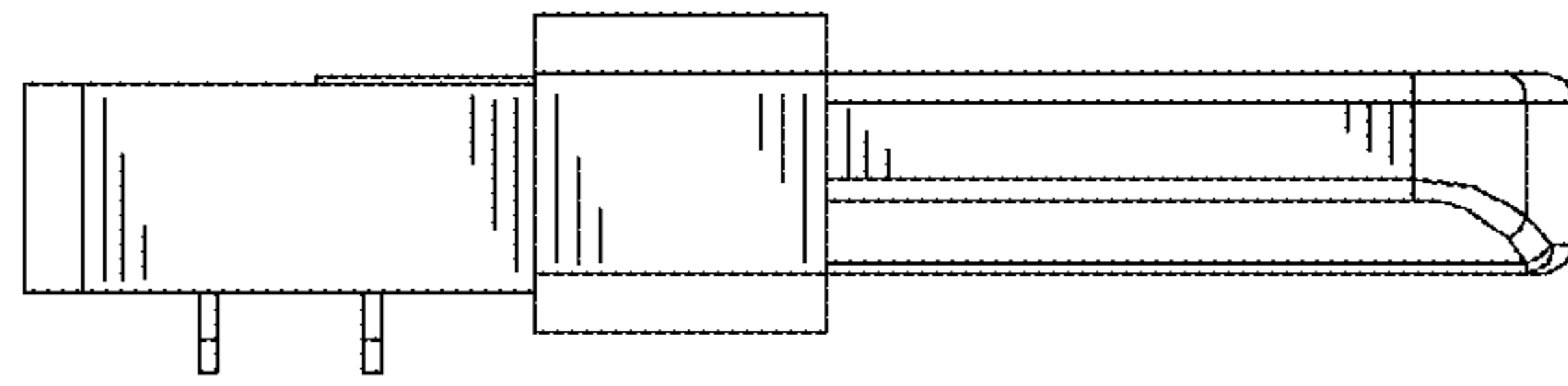


FIG. 4

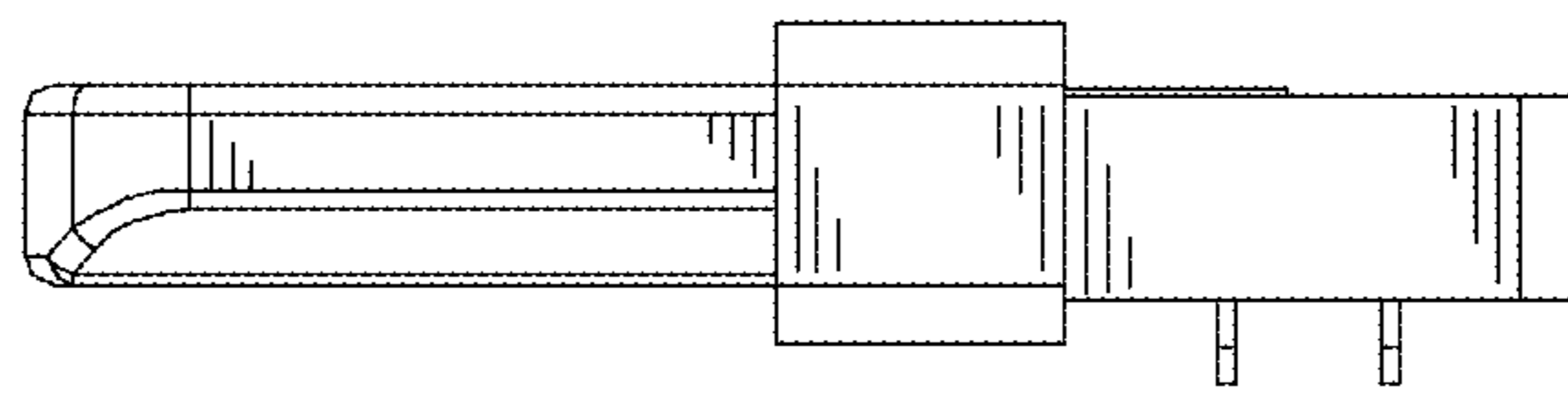


FIG. 5

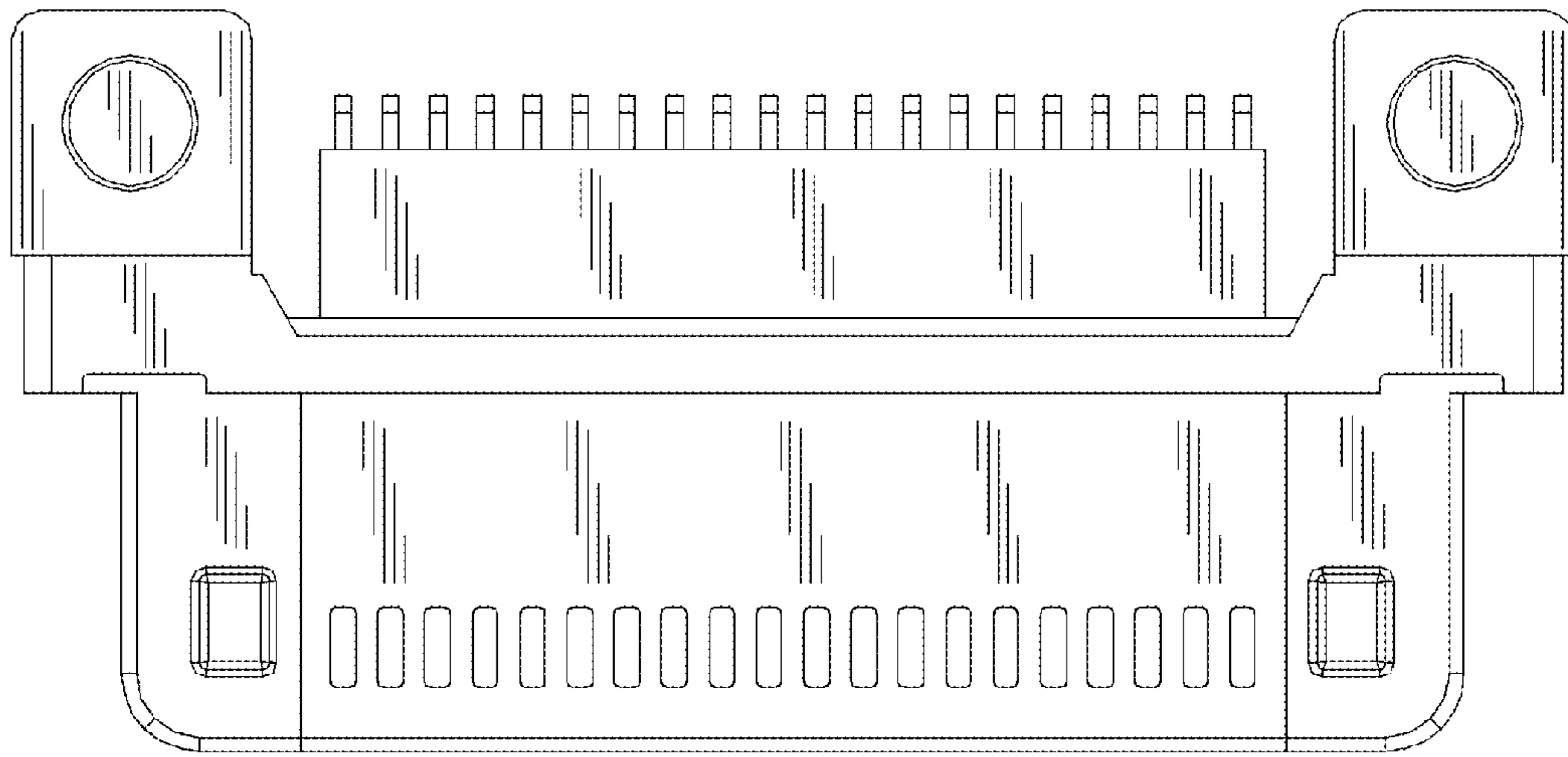


FIG. 6

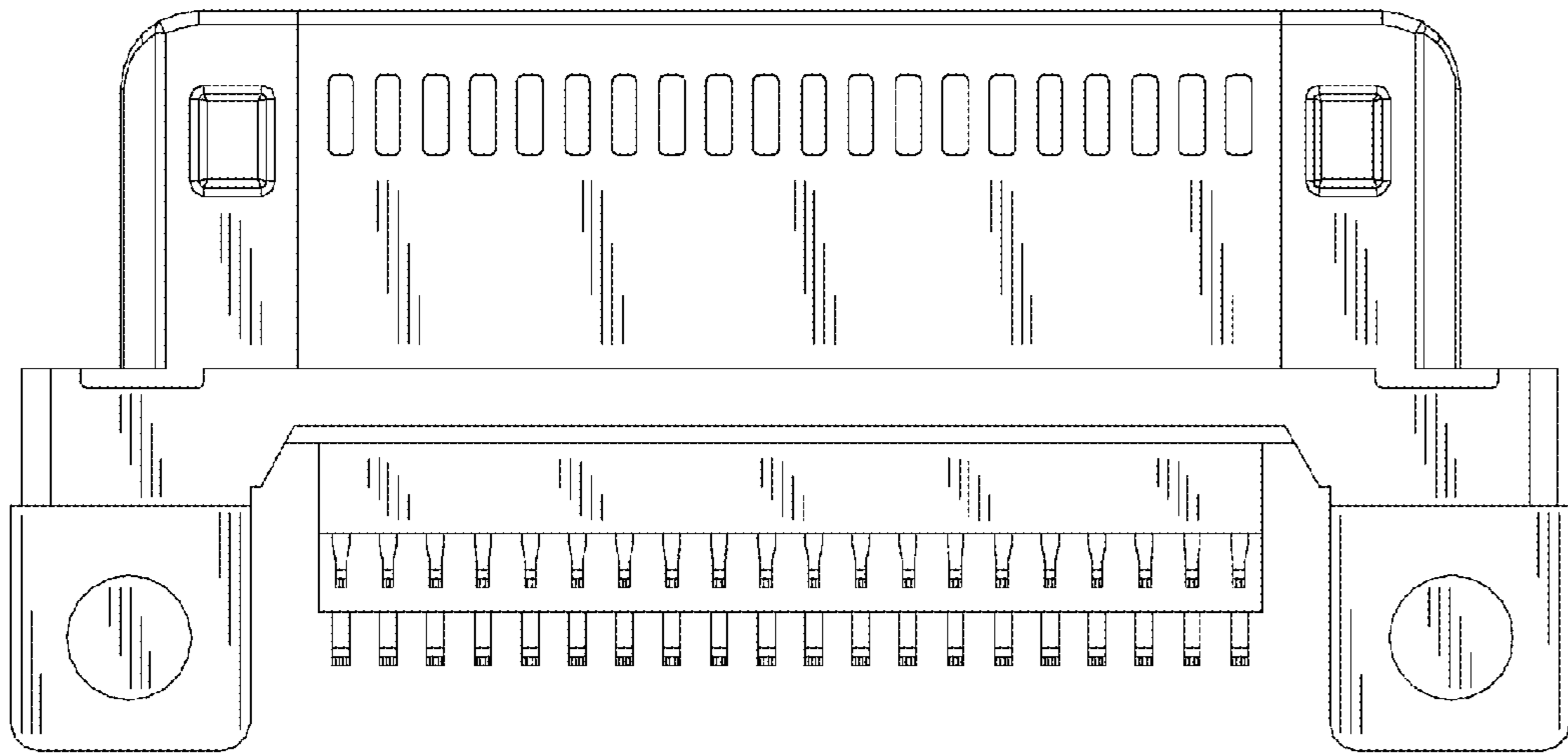


FIG. 7