



US00D764415S

(12) **United States Design Patent** (10) **Patent No.:** **US D764,415 S**
Qian et al. (45) **Date of Patent:** **** Aug. 23, 2016**

(54) **ELECTRICAL CONNECTOR** 2015/0214677 A1* 7/2015 Huang H01R 13/7175
439/39
(71) Applicant: **FOXCONN INTERCONNECT** 2016/0006196 A1* 1/2016 Zhong H01R 24/60
TECHNOLOGY LIMITED, Grand 439/638
Cayman (KY) 2016/0049752 A1* 2/2016 Qian H01R 13/6585
439/607.05
(72) Inventors: **Qiu Qian**, Kunshan (CN); **Jian-Kuang** 2016/0079720 A1* 3/2016 Zhong H01R 24/66
Zhu, Kunshan (CN); **Chun-Sheng Li**, 439/660
Kunshan (CN)

FOREIGN PATENT DOCUMENTS

(73) Assignee: **FOXCONN INTERCONNECT**
TECHNOLOGY LIMITED, Grand
Cayman (KY)

TW M478940 5/2014

(**) Term: **14 Years**

* cited by examiner

(21) Appl. No.: **29/517,177**

Primary Examiner — Daniel Bui

(22) Filed: **Feb. 11, 2015**

(74) *Attorney, Agent, or Firm* — Wei Te Chung; Ming Chieh Chang

(51) **LOC (10) Cl.** **13-03**

(52) **U.S. Cl.**
USPC **D13/147**

(58) **Field of Classification Search**
USPC D13/133, 146, 147, 154, 184, 199
See application file for complete search history.

(57) **CLAIM**

The ornamental design for an electrical connector, as shown and described.

DESCRIPTION

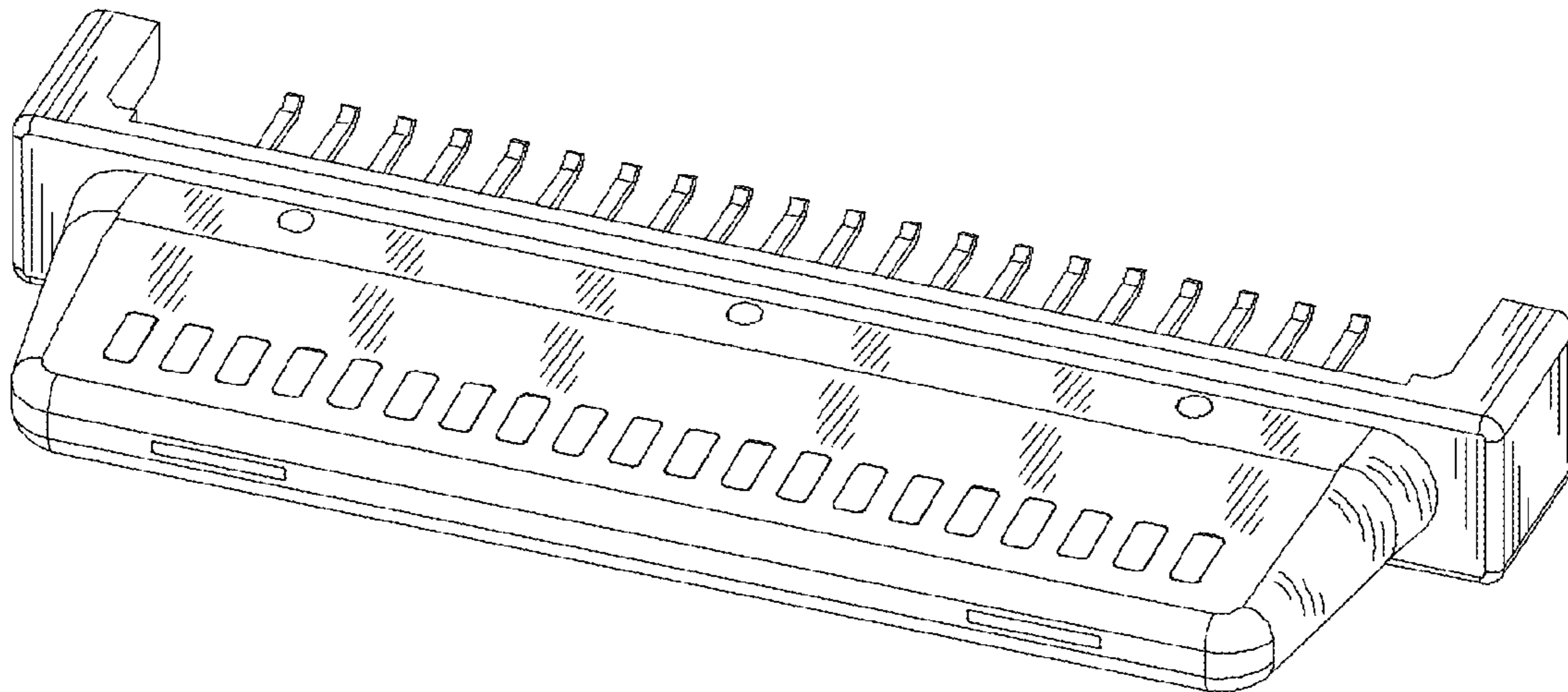
FIG. 1 is a front, top and right side perspective view of an electrical connector showing our new design;
FIG. 2 is a front elevational view thereof;
FIG. 3 is a rear elevational view thereof;
FIG. 4 is a left side elevational view thereof;
FIG. 5 is a right side elevational view thereof;
FIG. 6 is a top plan view thereof; and,
FIG. 7 is a bottom plan view thereof.

(56) **References Cited**

U.S. PATENT DOCUMENTS

D733,659 S * 7/2015 Zhu D13/147
9,300,091 B2 * 3/2016 Katayanagi H01R 12/523

1 Claim, 7 Drawing Sheets



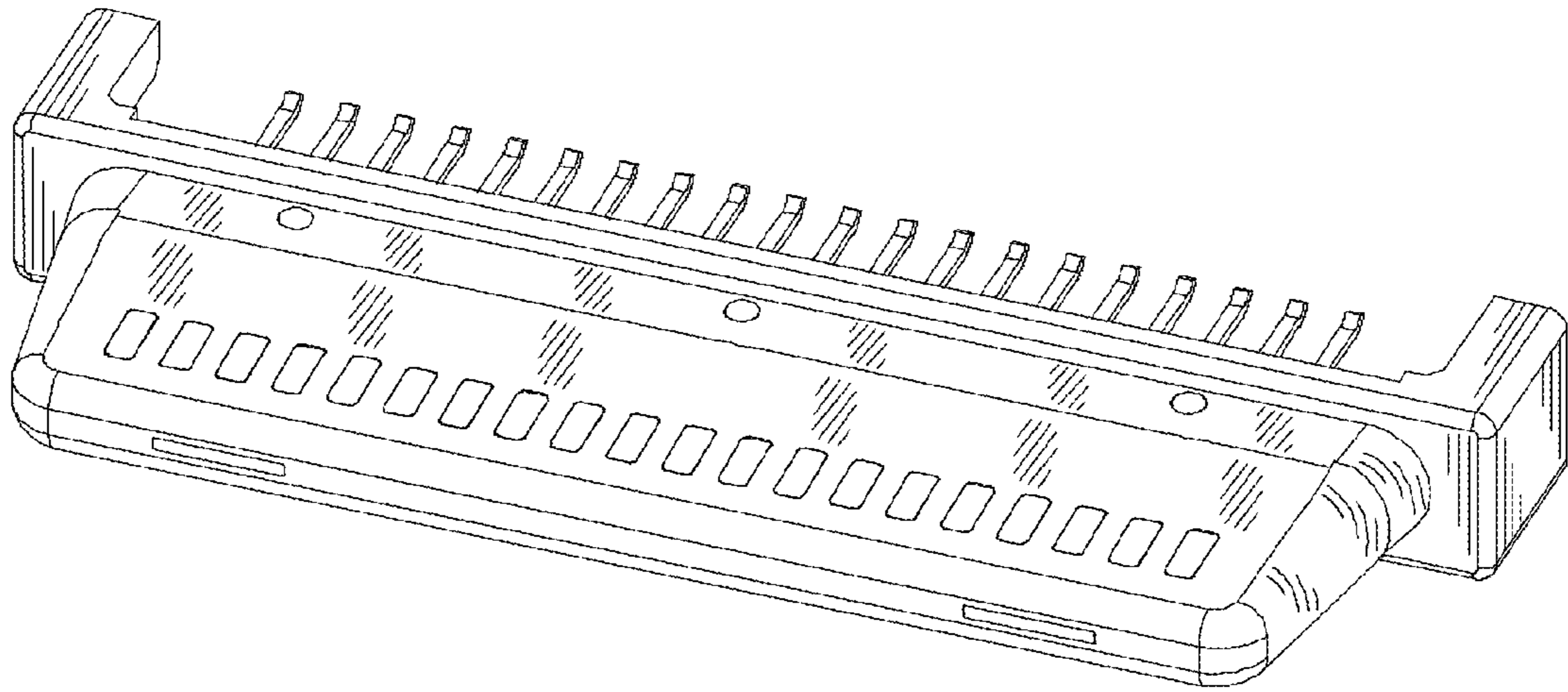


FIG. 1

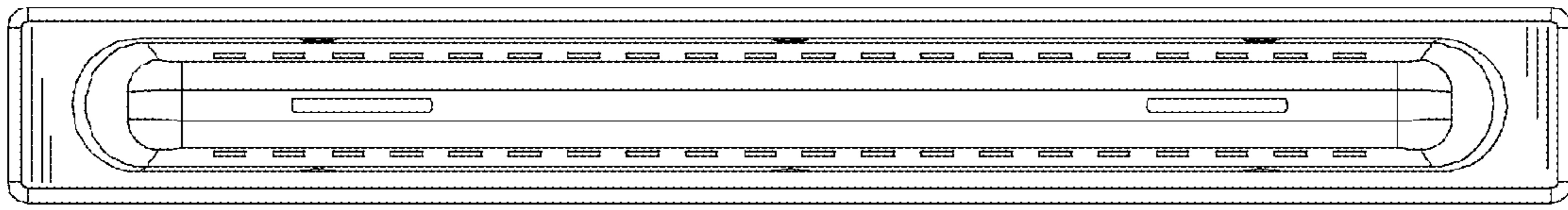


FIG. 2

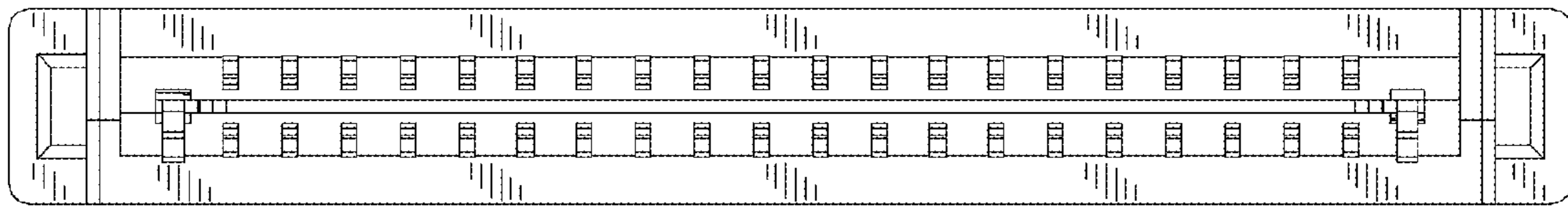


FIG. 3

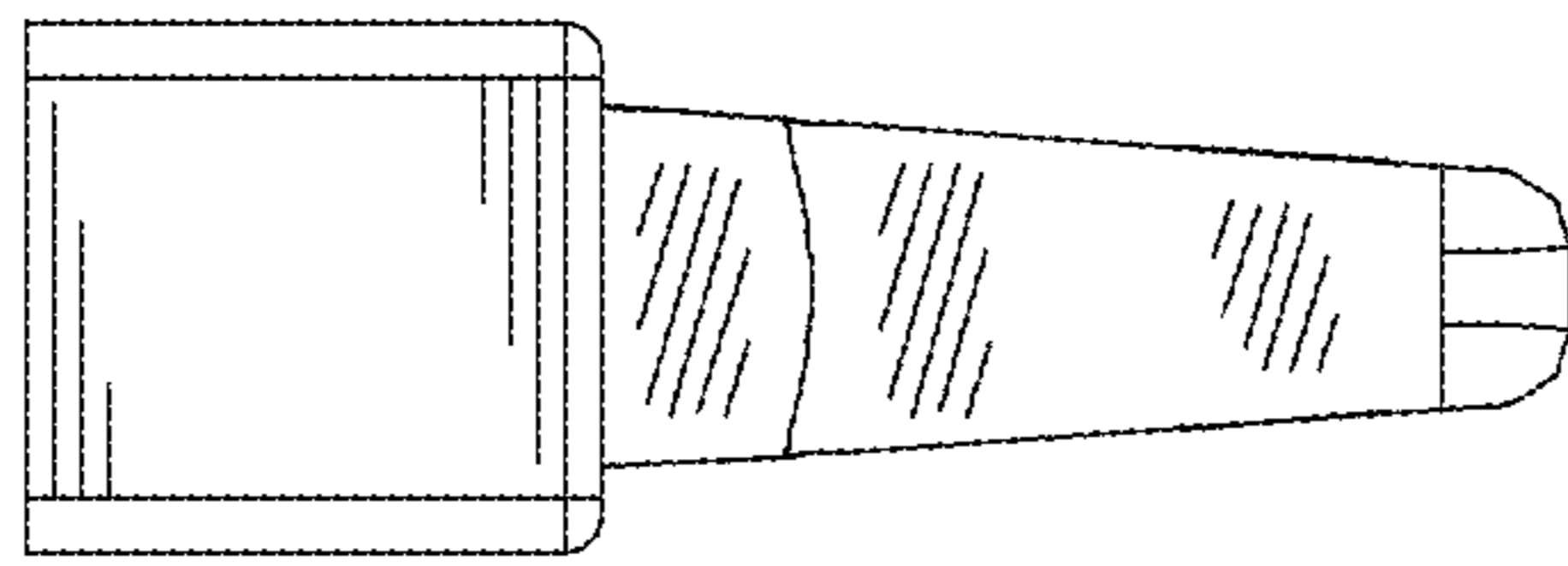


FIG. 4

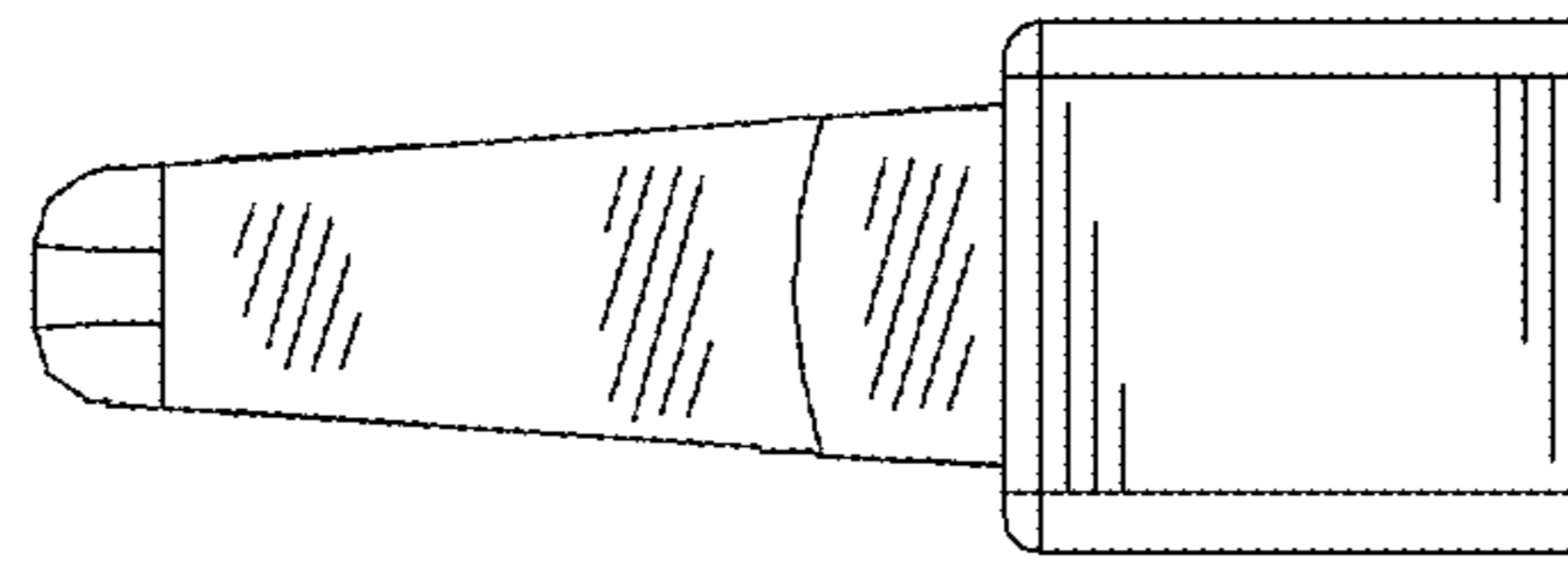


FIG. 5

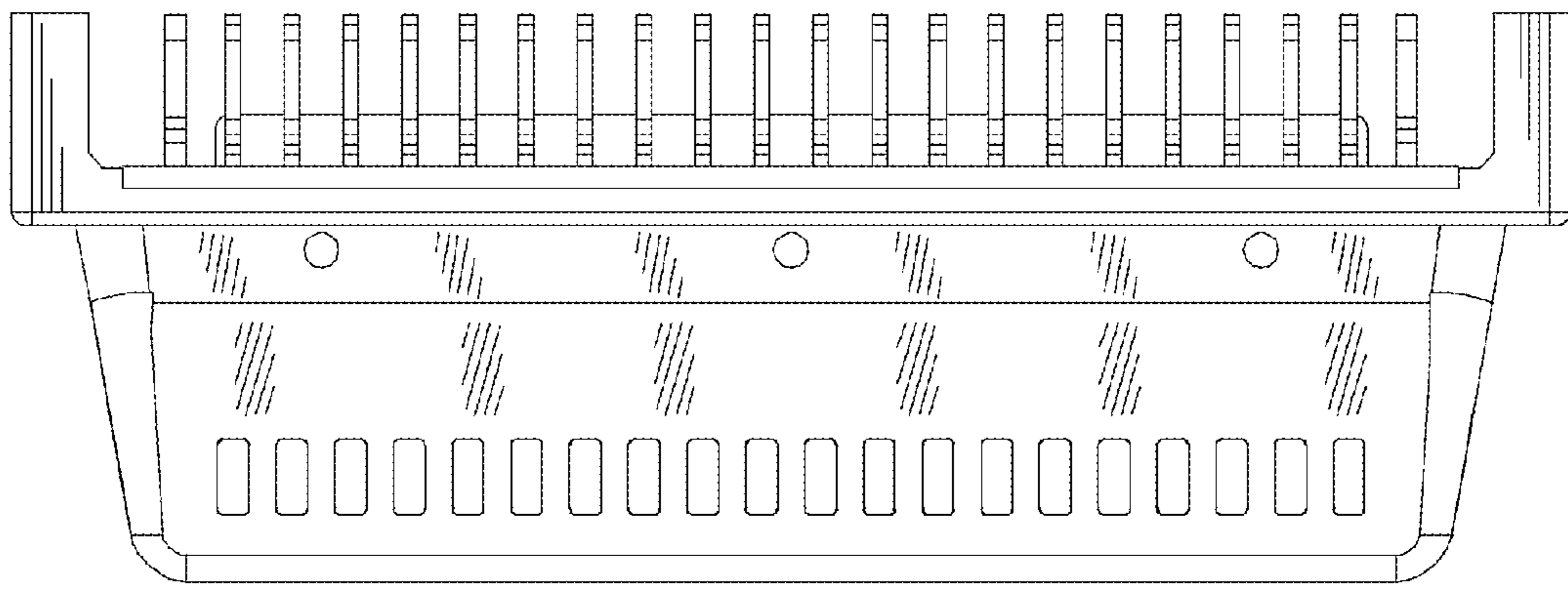


FIG. 6

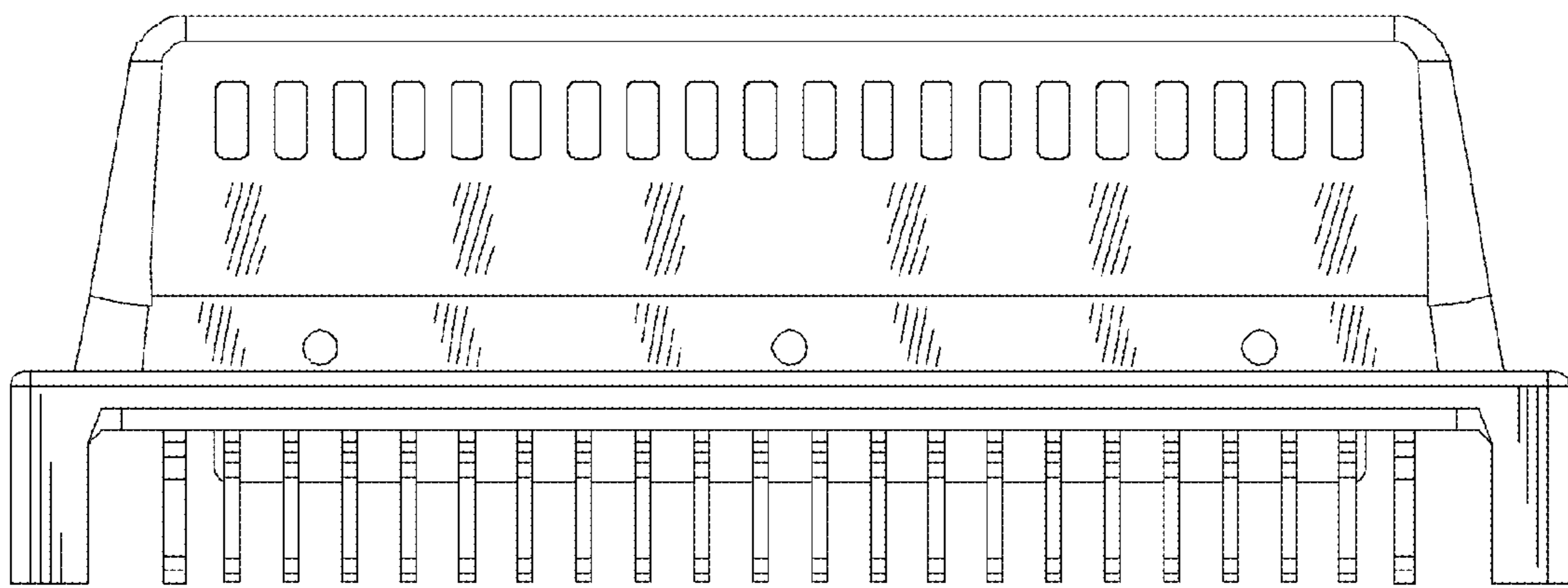


FIG. 7