



US00D764414S

(12) **United States Design Patent**
Takeda

(10) **Patent No.:** **US D764,414 S**

(45) **Date of Patent:** **** Aug. 23, 2016**

(54) **ELECTRICAL CONNECTOR**

(71) Applicant: **SMK Corporation**, Tokyo (JP)

(72) Inventor: **Toshimitsu Takeda**, Toyama (JP)

(73) Assignee: **SMK Corporation**, Tokyo (JP)

(**) Term: **14 Years**

(21) Appl. No.: **29/487,207**

(22) Filed: **Apr. 7, 2014**

(30) **Foreign Application Priority Data**

Dec. 12, 2013 (JP) D2013-29085

(51) **LOC (10) Cl.** **13-03**

(52) **U.S. Cl.**
USPC **D13/146**

(58) **Field of Classification Search**
USPC D13/110, 123, 133, 146, 147, 154, 158,
D13/171, 180, 184, 199; D8/394; D26/1
CPC .. H01R 13/52; H01R 13/7175; H01R 33/02;
H01R 33/08; H01R 33/09; H01R 33/06;
H01R 24/00
See application file for complete search history.

(56) **References Cited**

U.S. PATENT DOCUMENTS

D505,921 S *	6/2005	Ma	D13/149
D534,503 S *	1/2007	Jung et al.	D13/180
D568,256 S *	5/2008	Asada	D13/158
D612,816 S *	3/2010	Asada	D13/174
D639,749 S *	6/2011	Asada	D13/158
D643,821 S *	8/2011	Yun	D13/180
D681,437 S *	5/2013	Wall et al.	D8/394
D688,636 S *	8/2013	Oishi et al.	D13/171
D694,204 S *	11/2013	Meyer	D13/180

D728,129 S *	4/2015	Kreuzbichler	D26/1
2012/0294017 A1 *	11/2012	Nagasaki et al.	362/382
2013/0171858 A1 *	7/2013	Sauer et al.	439/345
2014/0179139 A1 *	6/2014	Tanaka et al.	439/226

FOREIGN PATENT DOCUMENTS

JP	1492838	*	3/2014
JP	1493429	*	3/2014
JP	D1492839		3/2014

OTHER PUBLICATIONS

SMK LED COB, dated Apr. 2013, [online], [site visited Aug. 13, 2015]. Available from Internet, <URL: http://www.smk.co.jp/news/press_release/2013/1000cs/?version=en>.*

* cited by examiner

Primary Examiner — Thomas Johannes

Assistant Examiner — Shawn T Gingrich

(74) *Attorney, Agent, or Firm* — Locke Lord LLP

(57) **CLAIM**

The ornamental design for an electrical connector, as shown and described.

DESCRIPTION

FIG. 1 is a front view of the electrical connector showing my new design;

FIG. 2 is a top view thereof;

FIG. 3 is a right-side view thereof;

FIG. 4 is a left-side view thereof;

FIG. 5 is a rear view thereof;

FIG. 6 is a bottom view thereof;

FIG. 7 is a front perspective view thereof; and,

FIG. 8 is a rear perspective view thereof.

1 Claim, 4 Drawing Sheets

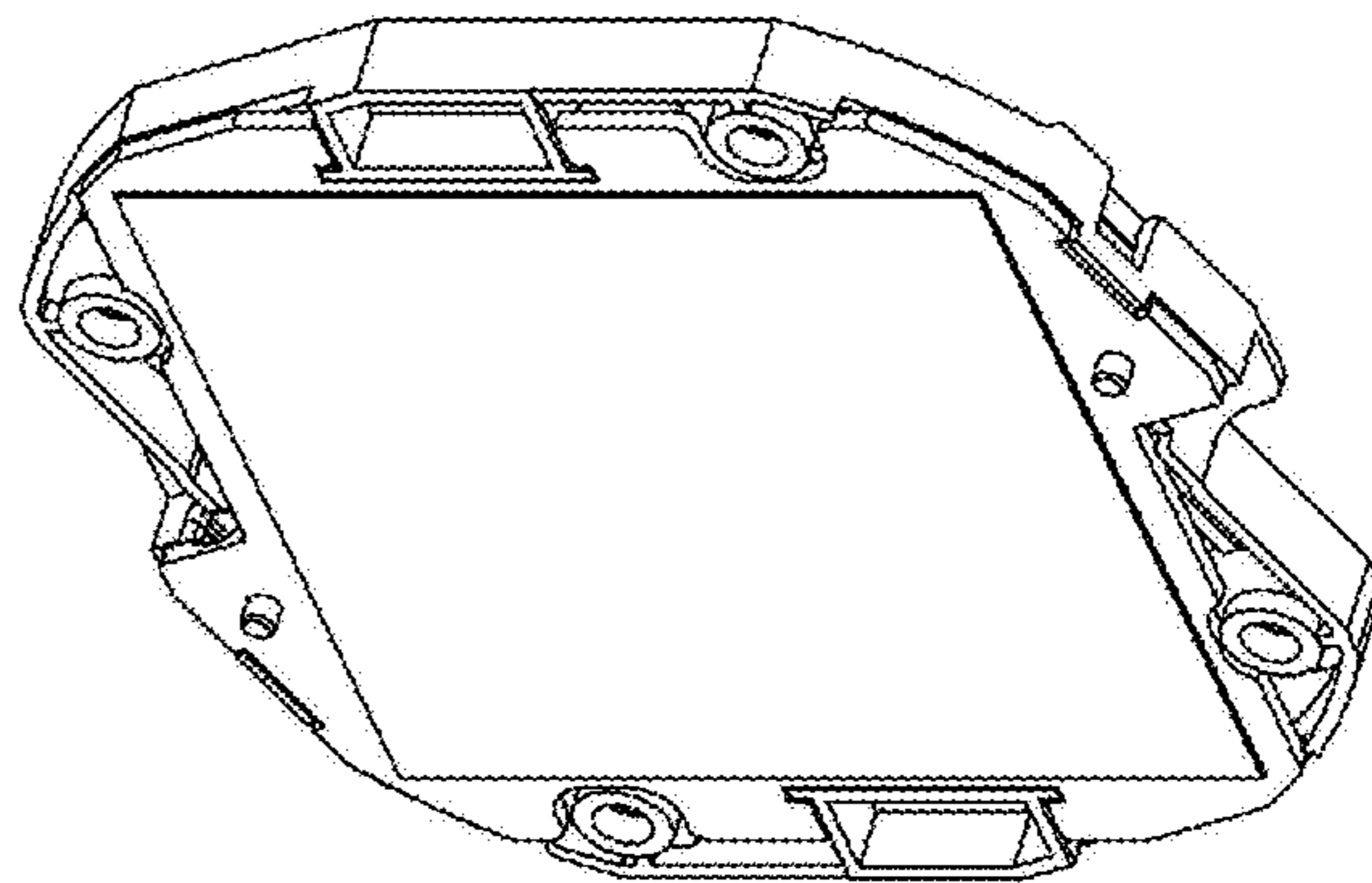
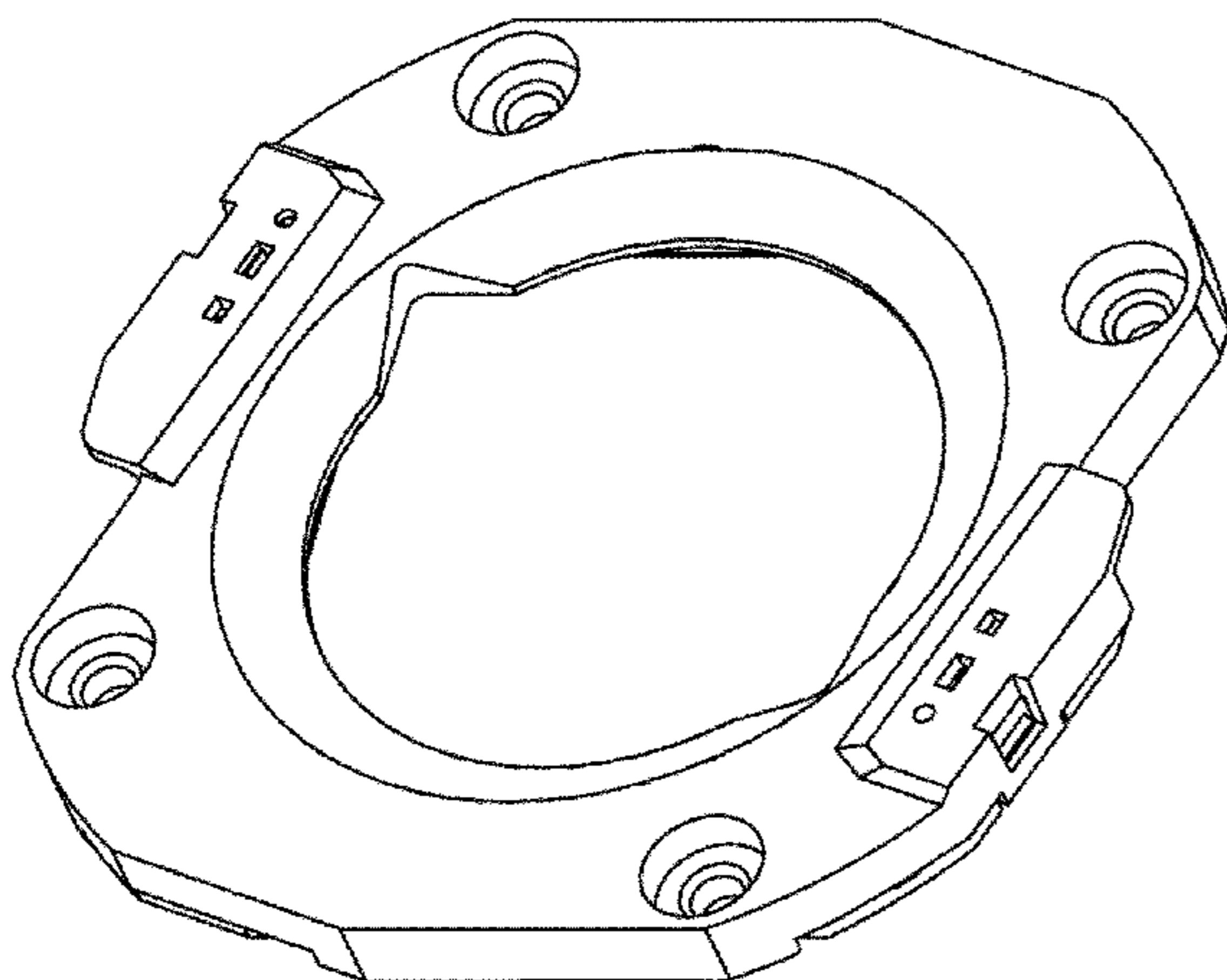


FIG. 1

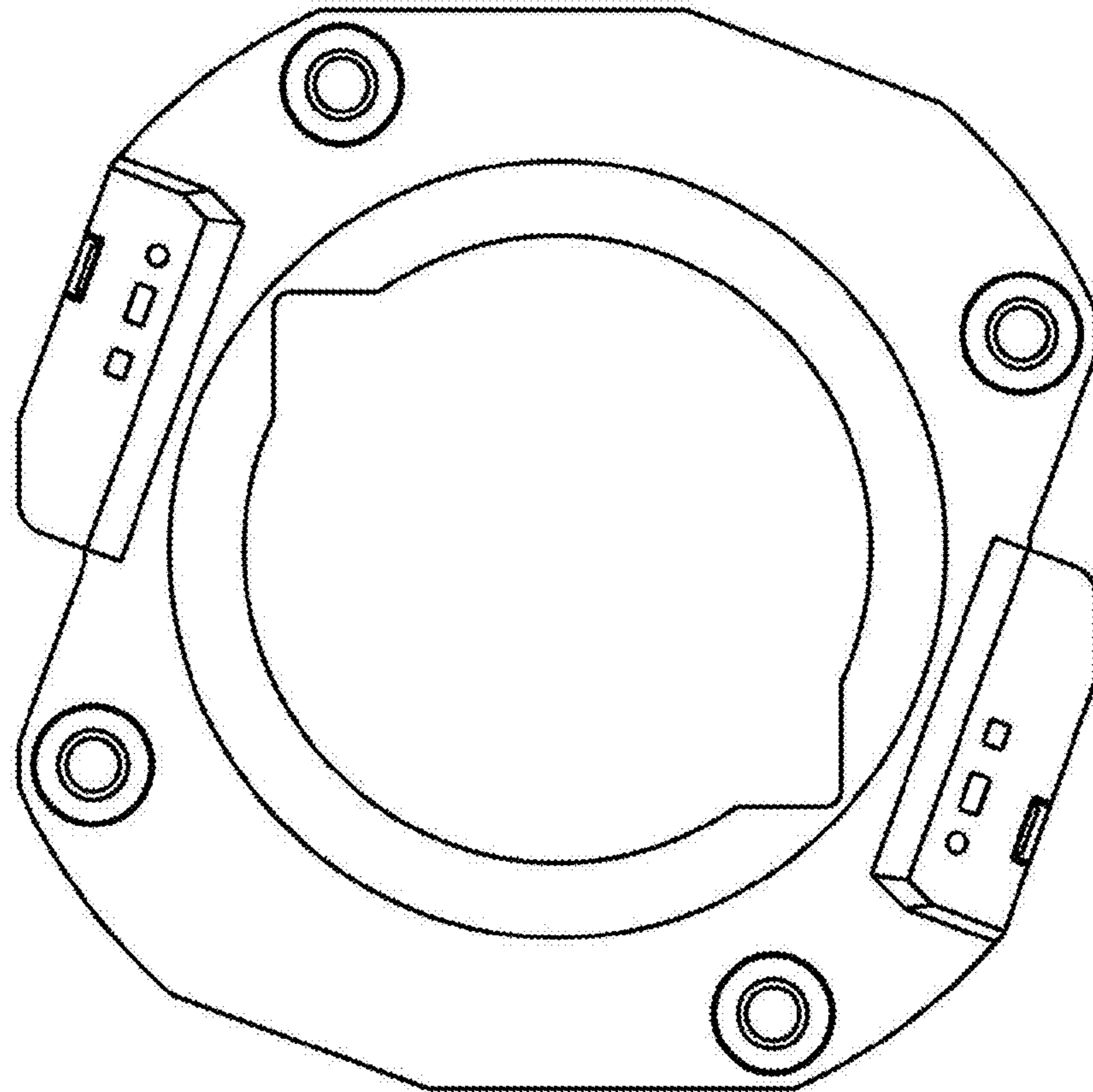


FIG. 2

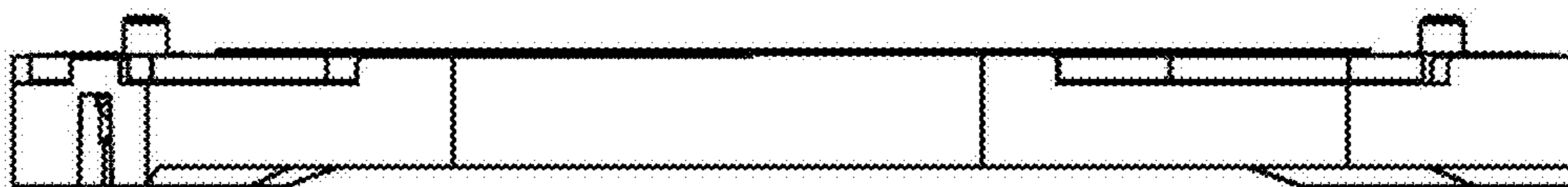


FIG. 3

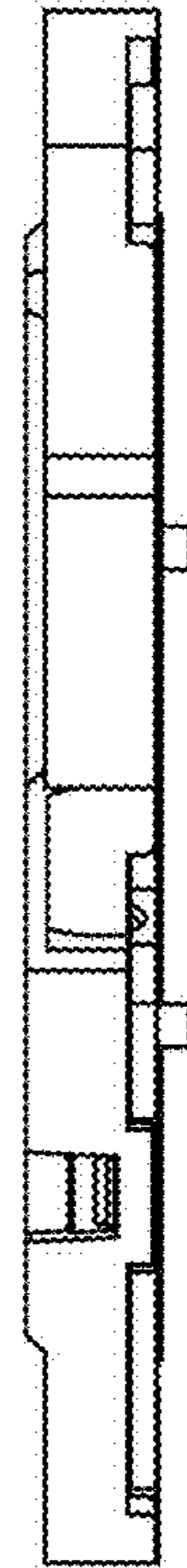


FIG. 4

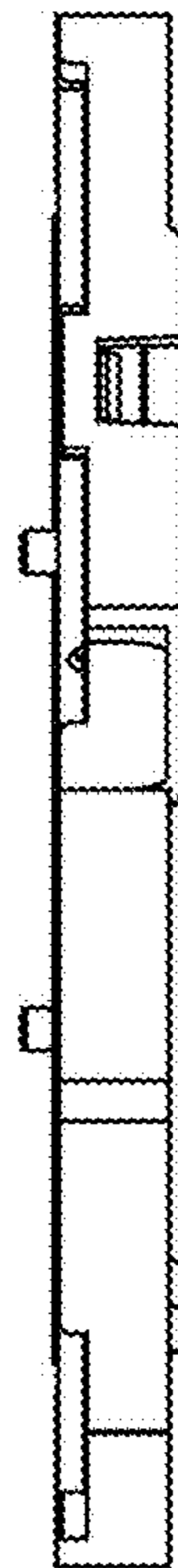


FIG. 5

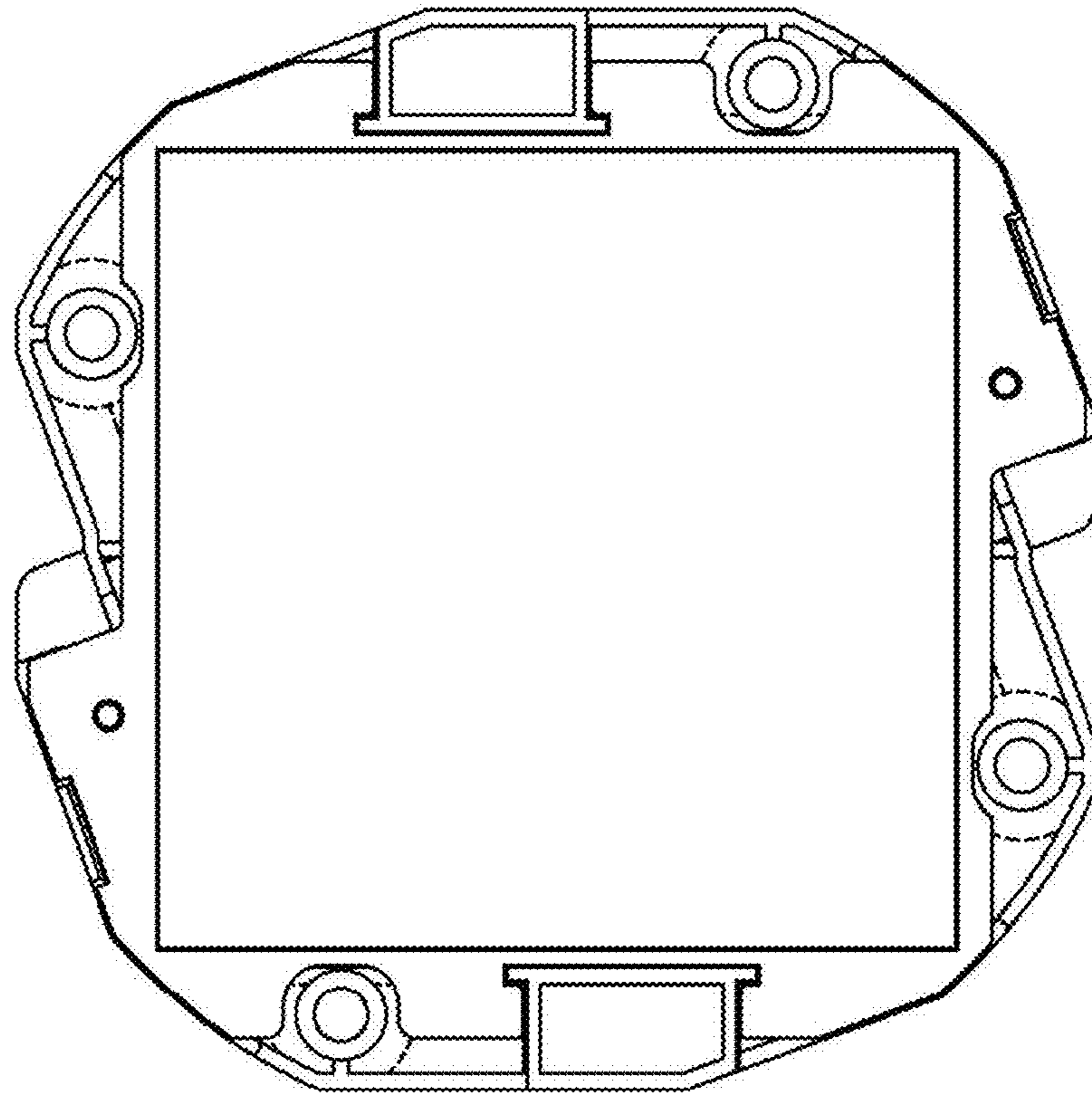


FIG. 6

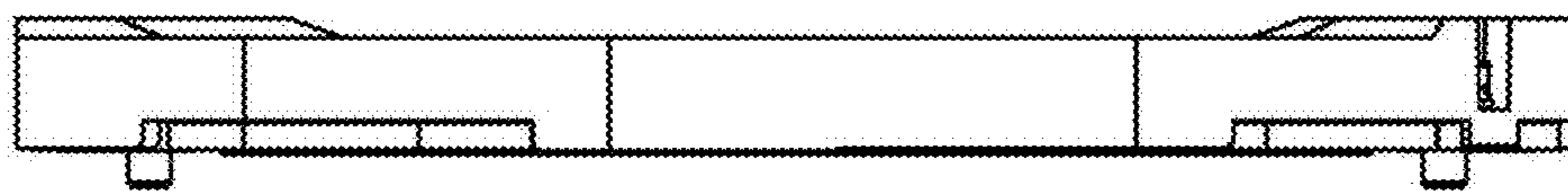


FIG. 7

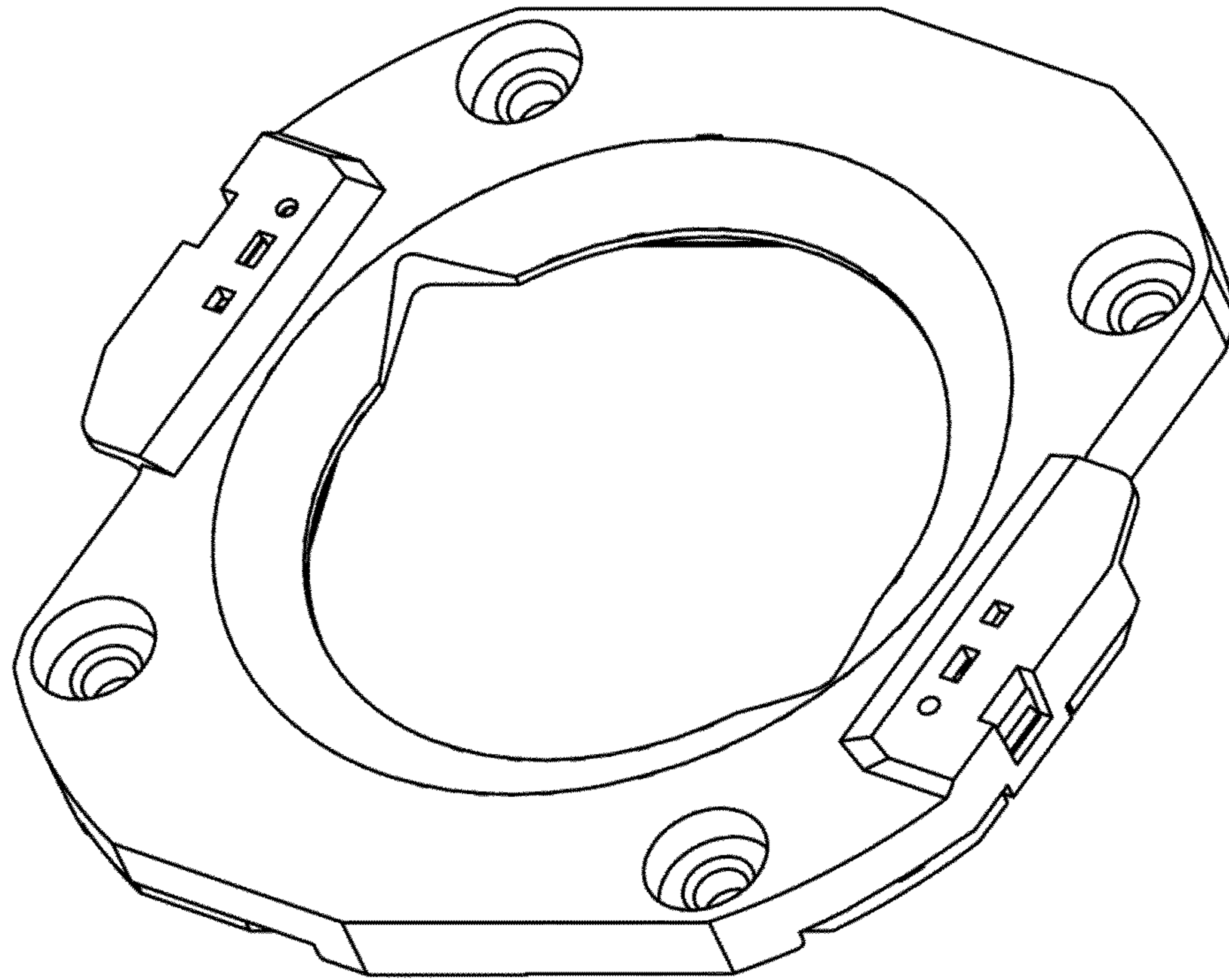


FIG. 8

