



US00D764413S

(12) **United States Design Patent**
McHatet

(10) **Patent No.:** **US D764,413 S**

(45) **Date of Patent:** **** Aug. 23, 2016**

(54) **CAR CHARGER**

(71) Applicant: **Hamid McHatet**, Miami, FL (US)

(72) Inventor: **Hamid McHatet**, Miami, FL (US)

(**) Term: **14 Years**

(21) Appl. No.: **29/521,628**

(22) Filed: **Mar. 25, 2015**

(51) **LOC (10) Cl.** **13-03**

(52) **U.S. Cl.**
USPC **D13/144**

(58) **Field of Classification Search**
USPC D13/144, 107, 110, 118, 119, 120, 133,
D13/154, 184, 199; D14/155, 217, 433;
320/65, 107, 108, 109; 363/13, 146;
439/300, 620, 638, 668, 669, 675, 825
CPC H01R 24/58; H01R 2201/26
See application file for complete search history.

(56) **References Cited**

U.S. PATENT DOCUMENTS

D621,783 S *	8/2010	Riede	D13/144
D624,501 S *	9/2010	Chan	D13/144
D624,879 S *	10/2010	Chan	D13/144
D654,872 S *	2/2012	Au	D13/144
D654,873 S *	2/2012	Au	D13/144

D655,246 S *	3/2012	Fitch	D13/144
D655,247 S *	3/2012	Fitch	D13/144
D685,330 S *	7/2013	Fitch	D13/144
D692,386 S *	10/2013	Esses	D13/110
D701,837 S *	4/2014	Rostami	D13/144
D714,222 S *	9/2014	Huang	D13/144
D722,294 S *	2/2015	Lee	D13/144
D747,681 S *	1/2016	Lee	D13/108

* cited by examiner

Primary Examiner — Derrick Holland

Assistant Examiner — Jennifer O King

(74) *Attorney, Agent, or Firm* — Albert Bordas, P.A.

(57) **CLAIM**

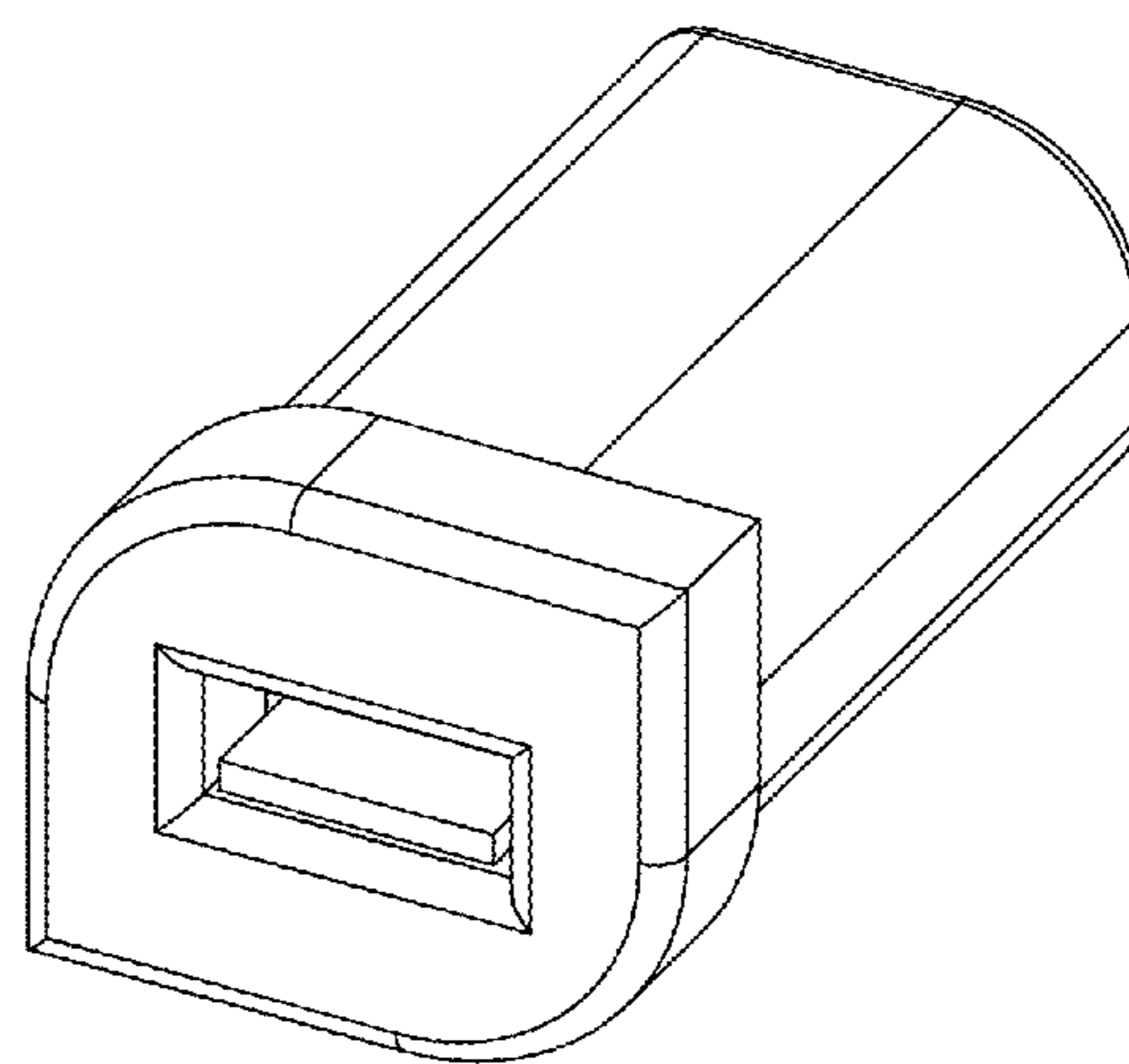
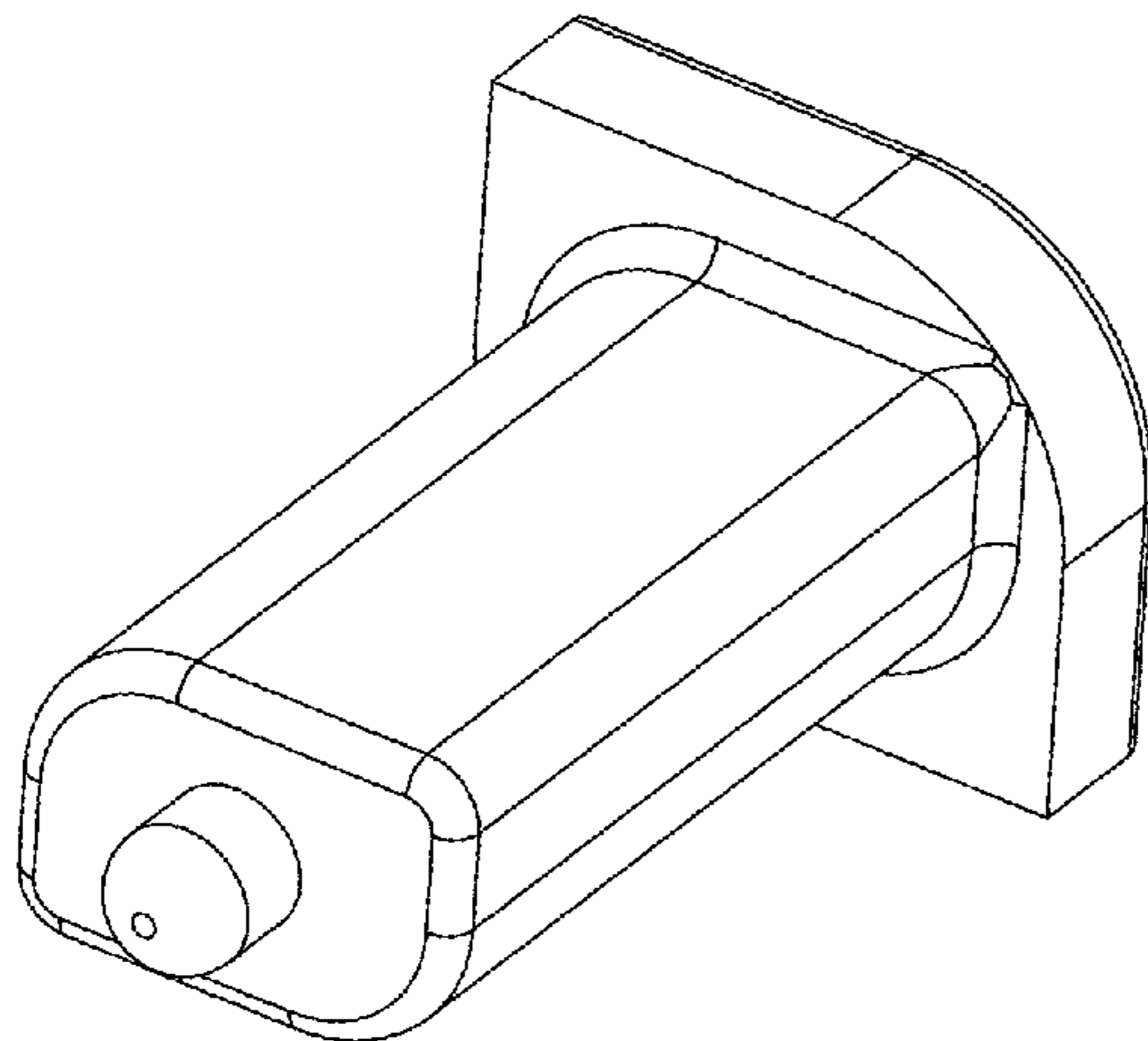
The ornamental design for a car charger, as shown and described.

DESCRIPTION

FIG. 1 is a top plan view of a car charger;
FIG. 2 is a front elevational view thereof;
FIG. 3 is a bottom plan view thereof;
FIG. 4 is a right-side elevational view thereof;
FIG. 5 is a rear elevational view thereof;
FIG. 6 is a left-side elevational thereof;
FIG. 7 is a rear isometric view thereof; and,
FIG. 8 is a front isometric view thereof.

The claimed car charger is used as an electronic charging device for use in vehicles.

1 Claim, 4 Drawing Sheets



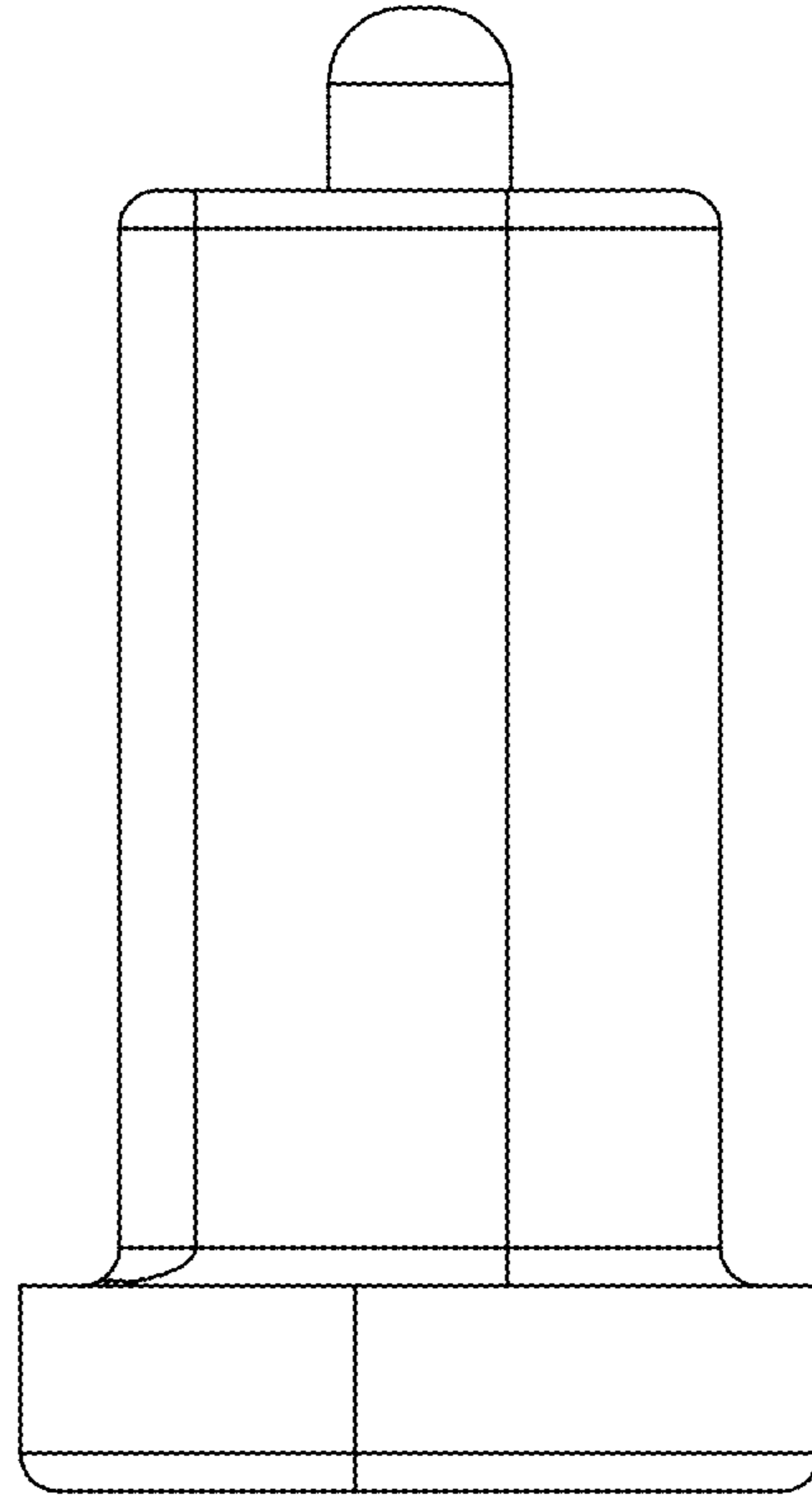


Fig 1

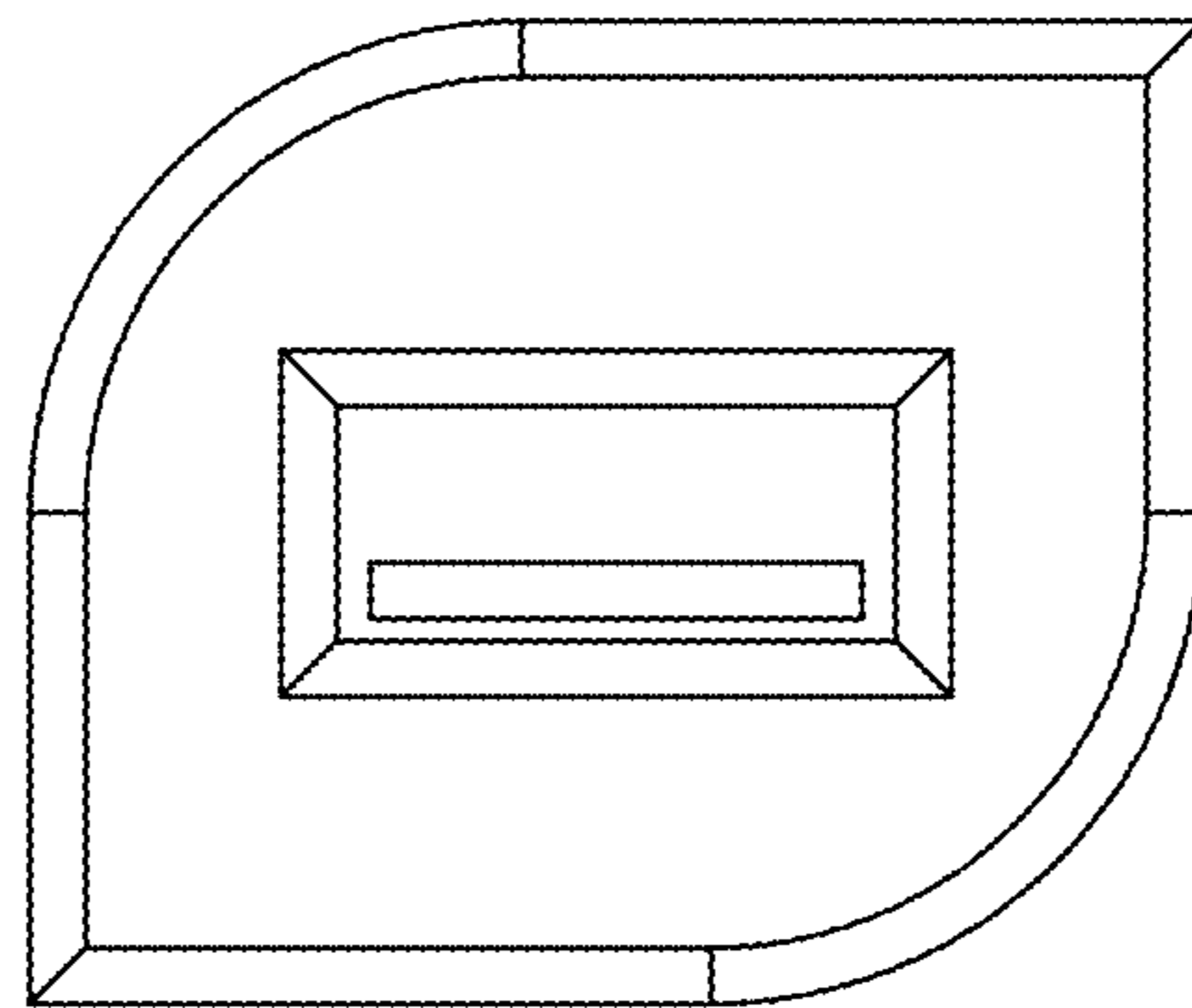


Fig 2

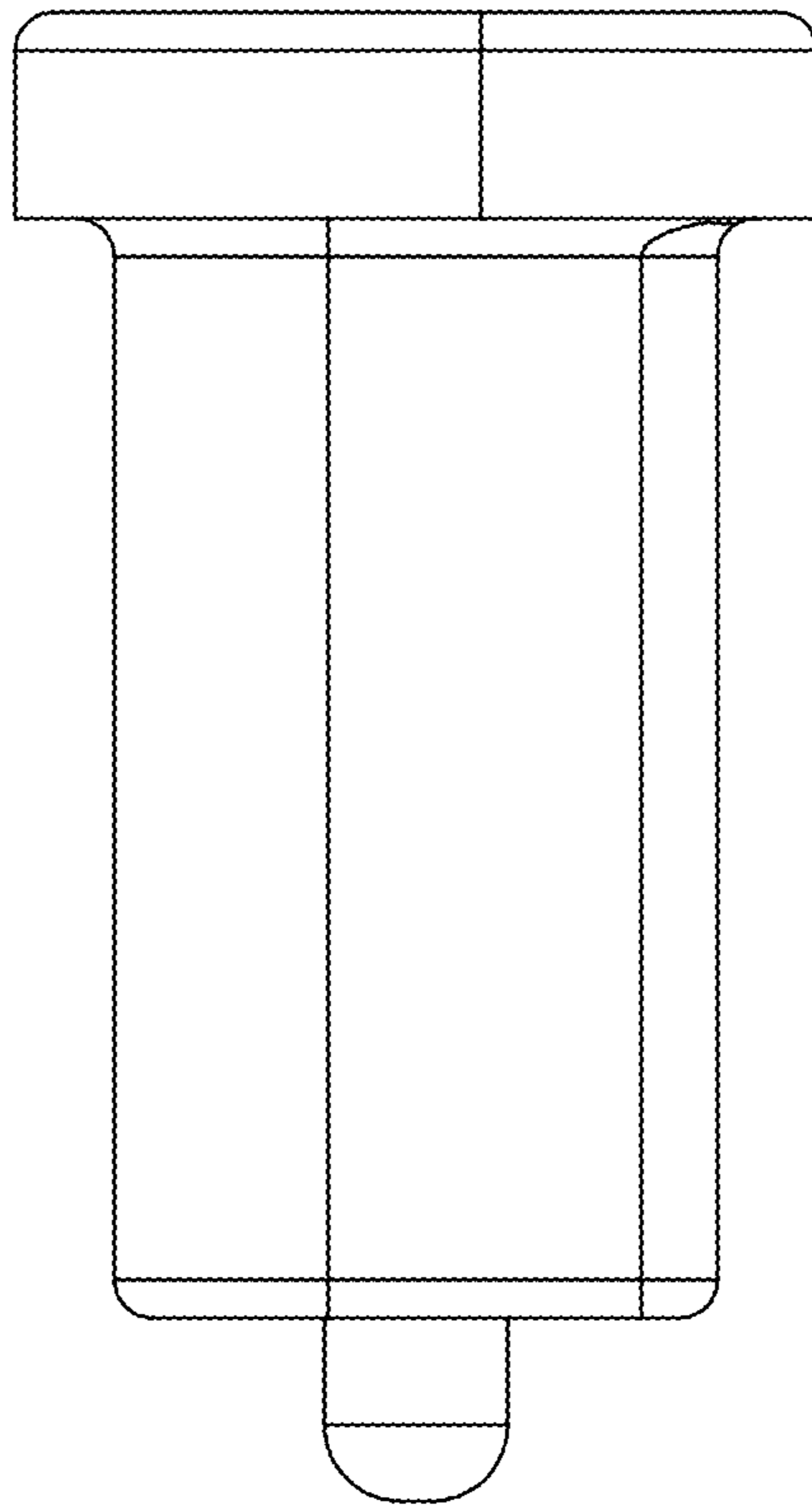


Fig 3

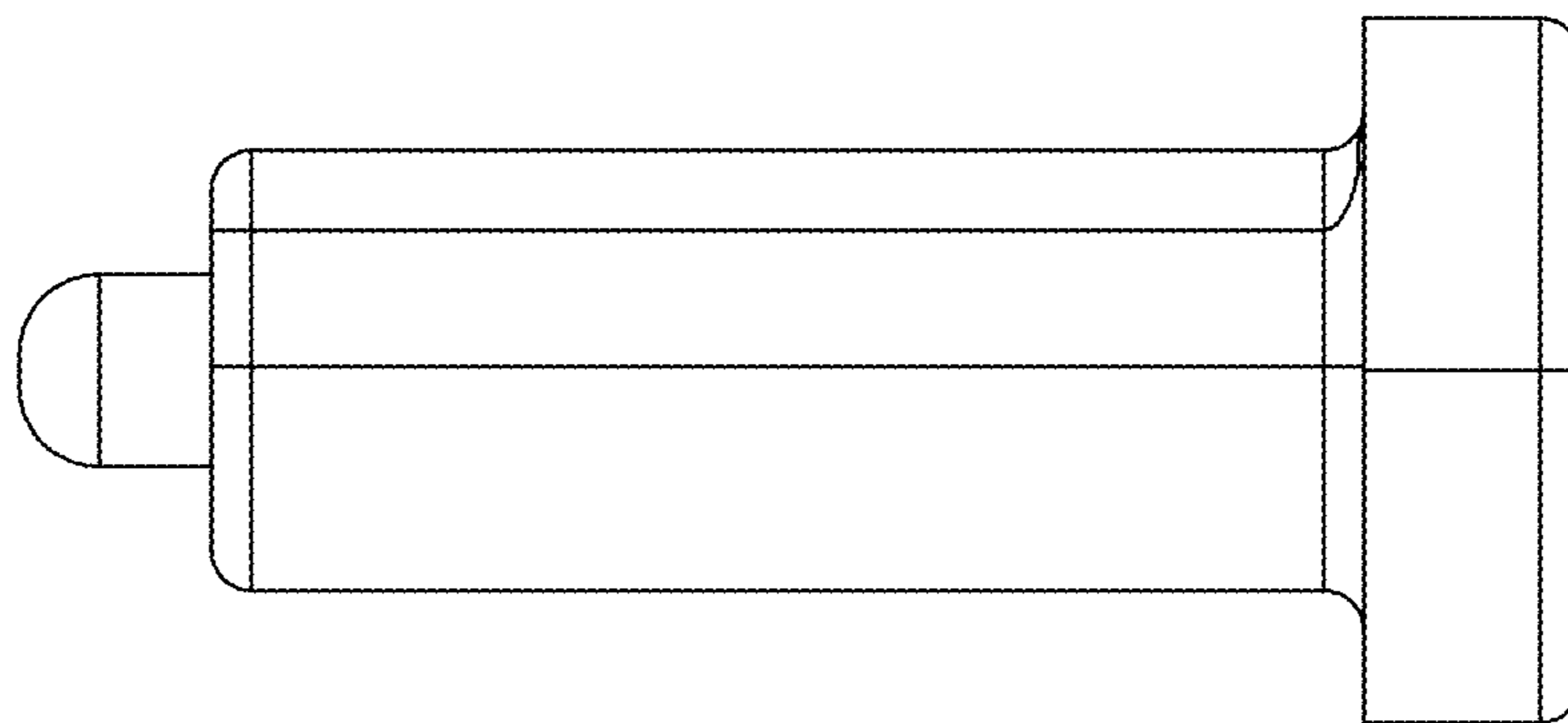


Fig 4

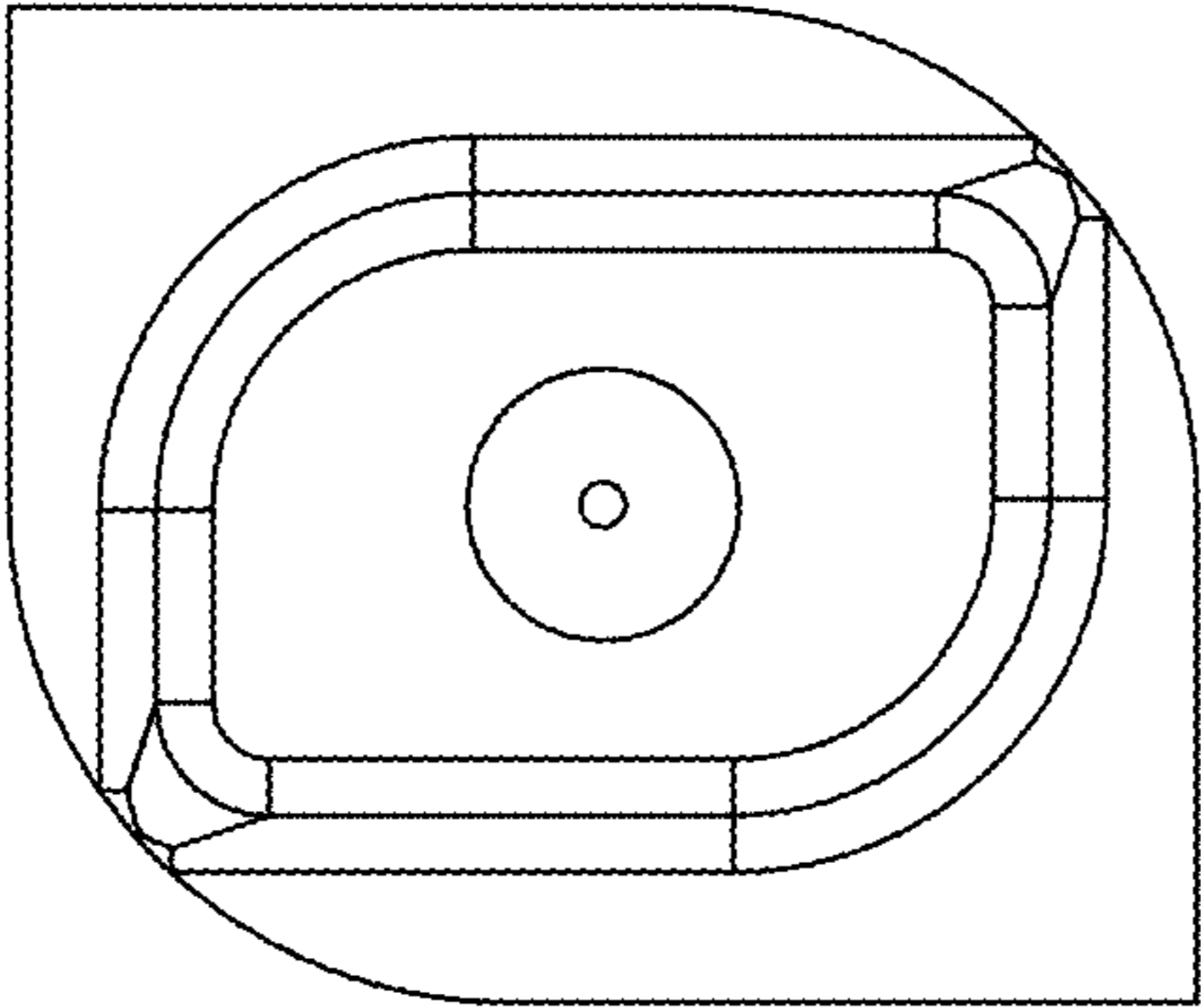


Fig 5

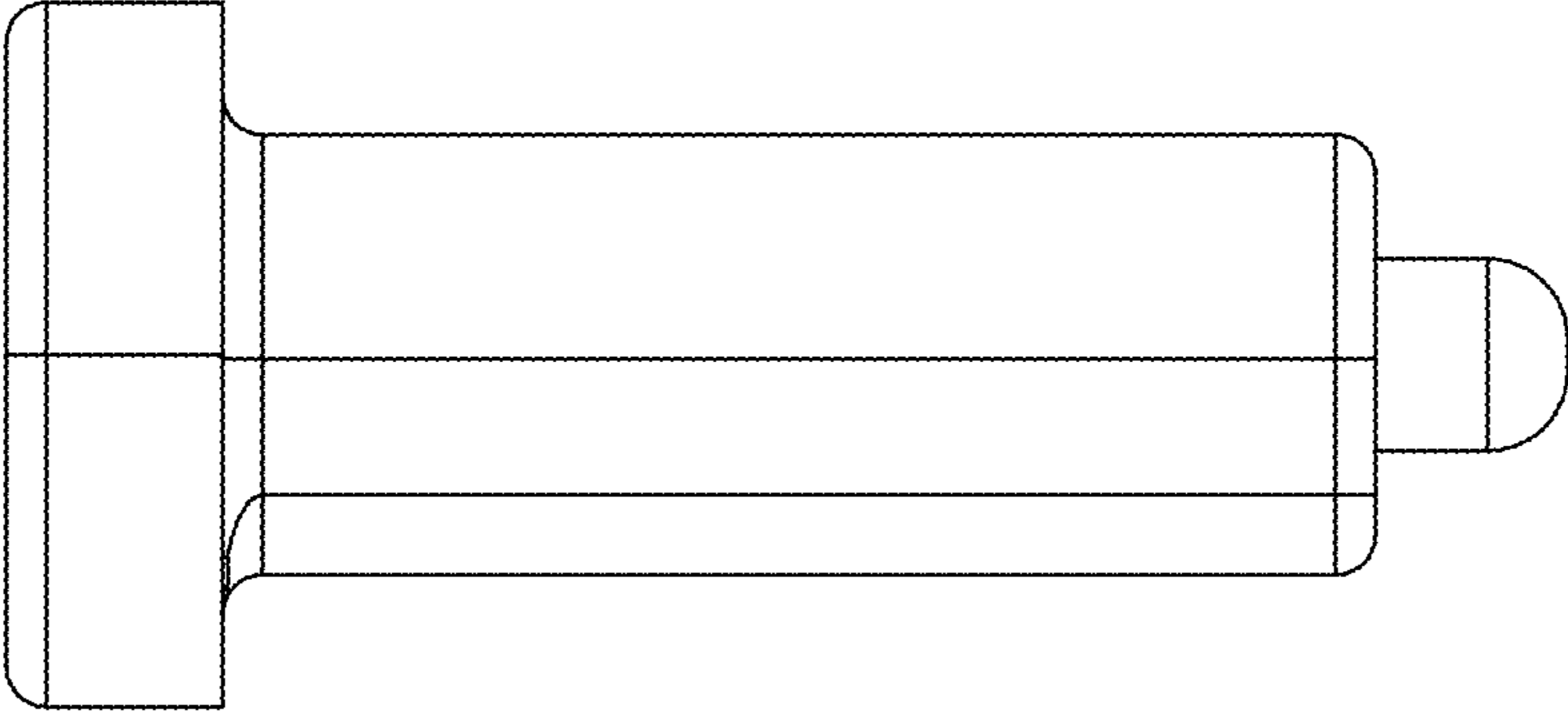


Fig 6

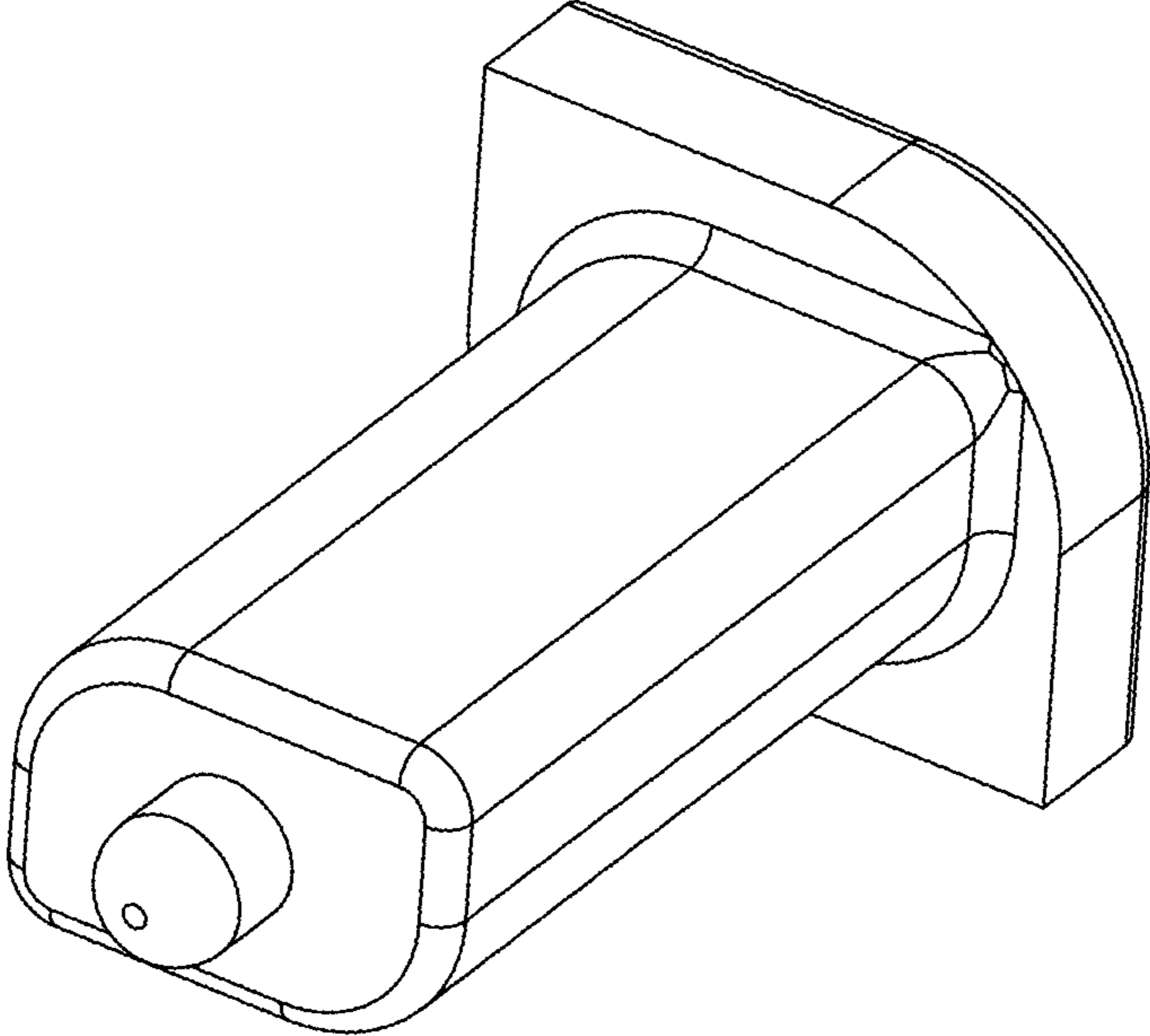


Fig 7

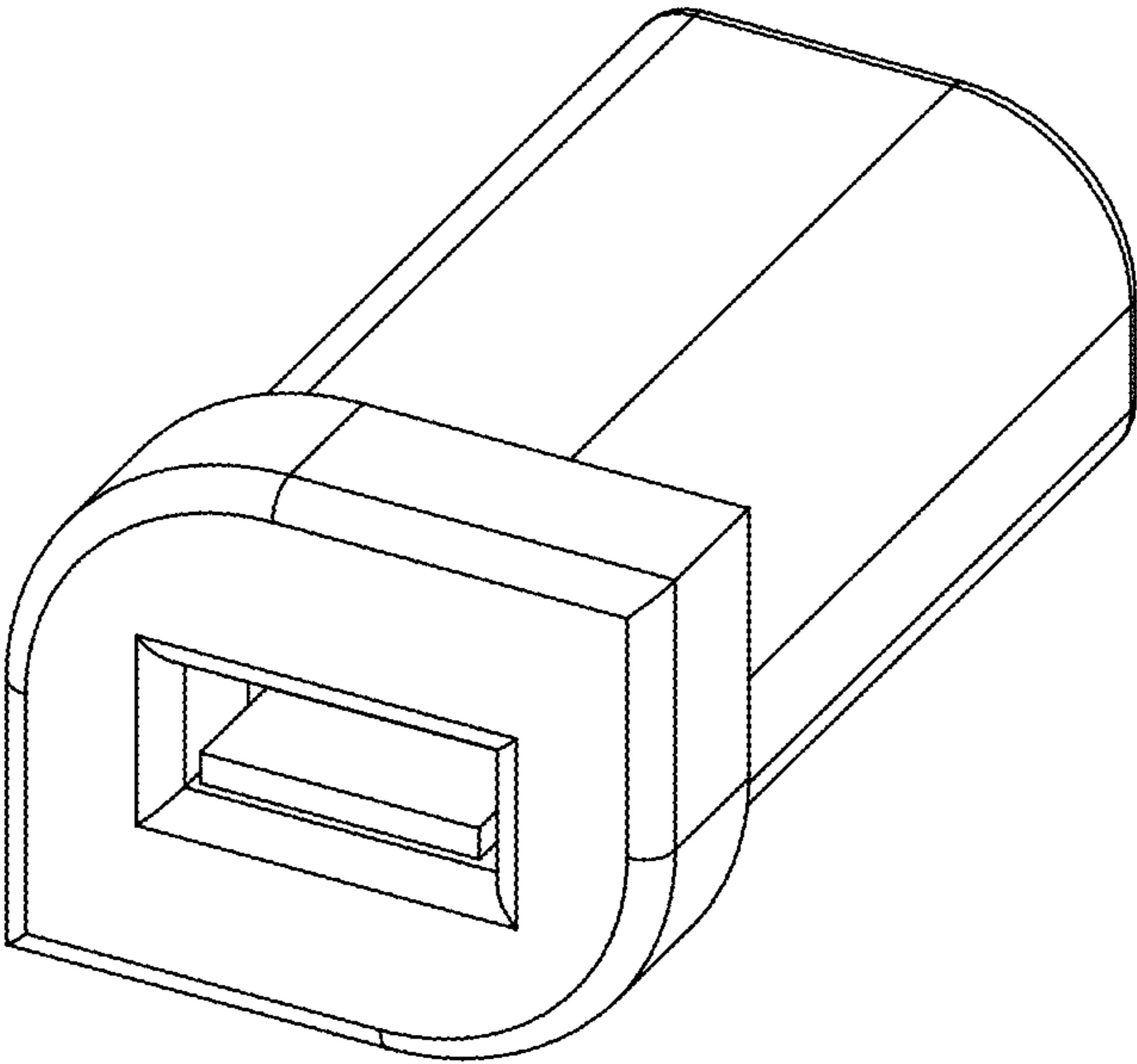


Fig 8