



US00D764412S

(12) **United States Design Patent** (10) **Patent No.:** **US D764,412 S**  
**Sabo** (45) **Date of Patent:** **\*\* Aug. 23, 2016**

(54) **ELECTRICALLY CONDUCTIVE CONTACT**

(71) Applicant: **James M. Sabo**, Marysville, PA (US)

(72) Inventor: **James M. Sabo**, Marysville, PA (US)

(73) Assignee: **FCI Americas Technology LLC**,  
Carson City, NV (US)

(\*\*) Term: **14 Years**

(21) Appl. No.: **29/491,266**

(22) Filed: **May 19, 2014**

(51) **LOC (10) Cl.** ..... **13-03**

(52) **U.S. Cl.**  
USPC ..... **D13/133; D13/154**

(58) **Field of Classification Search**  
USPC ..... D13/110, 123, 132, 154, 158, 161, 84  
CPC ..... H01R 4/24; H01R 4/241; H01R 4/242;  
H01R 4/243; H01R 4/245; H01R 4/246;  
H01R 12/67; H01R 13/52; H01R 13/58;  
H01R 13/533

See application file for complete search history.

(56) **References Cited**

**U.S. PATENT DOCUMENTS**

3,936,128	A	2/1976	D'Annessa et al.	
4,261,629	A	4/1981	Reynolds et al.	
4,277,124	A	7/1981	Loose et al.	
4,363,529	A	12/1982	Loose	
4,533,199	A	8/1985	Feldberg	
4,701,001	A	10/1987	Verhoeven	
4,716,651	A	1/1988	Klaiber et al.	
4,995,825	A *	2/1991	Korsunsky et al.	439/328
5,562,478	A	10/1996	Yamamoto	
5,586,905	A	12/1996	Marshall et al.	
5,669,778	A	9/1997	Kramer et al.	
5,807,121	A	9/1998	Fulop et al.	
5,820,404	A	10/1998	Chishima et al.	
6,074,238	A	6/2000	DeRoss et al.	
6,443,752	B1 *	9/2002	Kosawa	439/342
6,554,633	B1 *	4/2003	Nobuyuki et al.	439/342

D516,521	S *	3/2006	Yao et al.	D13/154
7,059,889	B1	6/2006	Pavlovic et al.	
7,134,903	B1	11/2006	Pavlovic	
D555,092	S *	11/2007	Li et al.	D13/133
D569,801	S *	5/2008	Chuang	D13/133
D569,802	S *	5/2008	Long et al.	D13/133
D645,827	S *	9/2011	Lee et al.	D13/154
D688,246	S *	8/2013	Lee	D14/433
2002/0192997	A1 *	12/2002	Turek et al.	439/404
2004/0185703	A1	9/2004	Lee	
2007/0082539	A1 *	4/2007	Pavlovic	439/400
2008/0286991	A1 *	11/2008	Northey	439/77
2010/0203752	A1 *	8/2010	Urano	439/265

(Continued)

**FOREIGN PATENT DOCUMENTS**

JP	2001/266972	9/2001
KR	10-1987-0000780	2/1987

*Primary Examiner* — Thomas Johannes

*Assistant Examiner* — Shawn T Gingrich

(74) *Attorney, Agent, or Firm* — Wolf, Greenfield & Sacks, P.C.

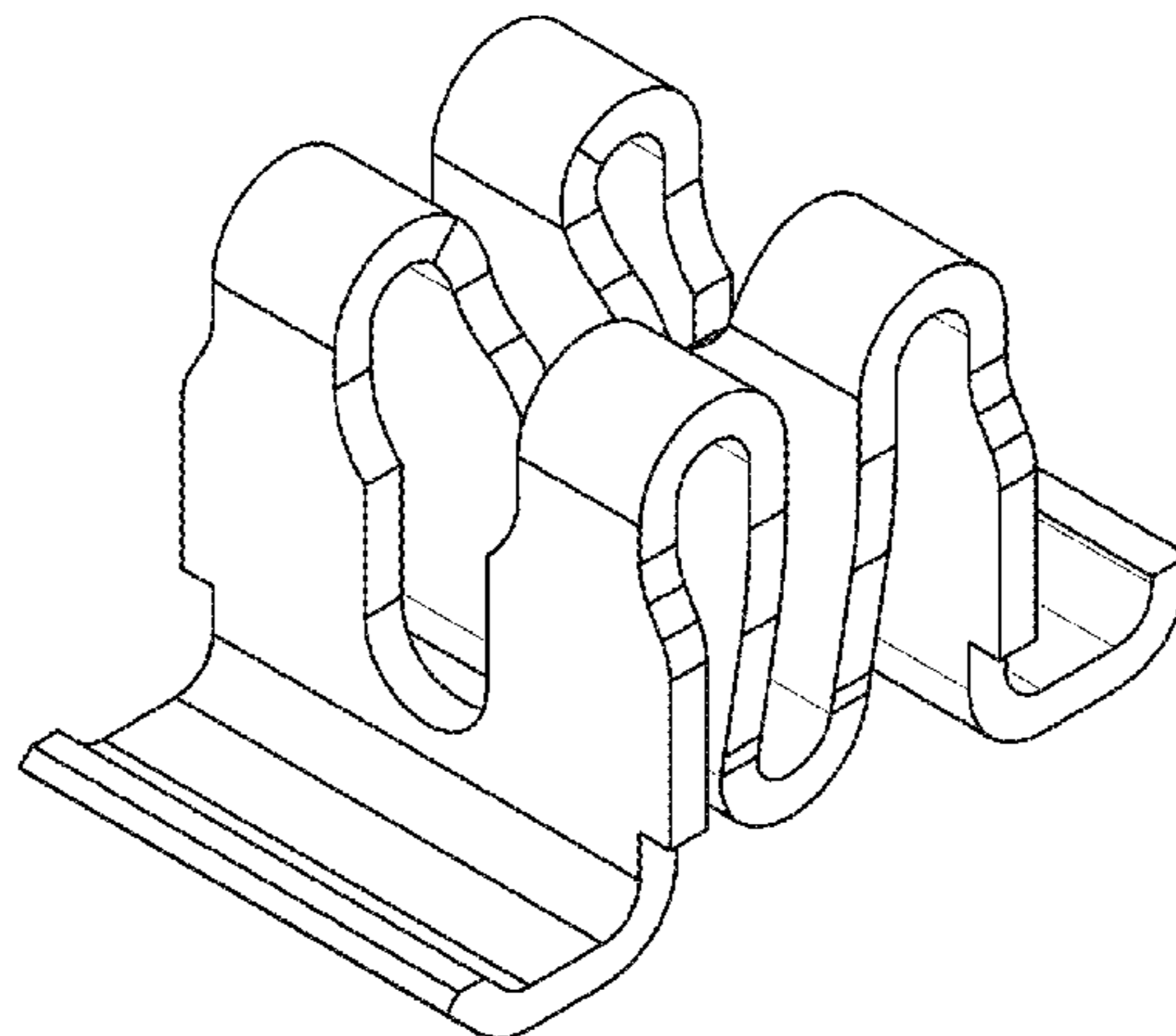
(57) **CLAIM**

The ornamental design for an electrically conductive contact, as shown and described.

**DESCRIPTION**

FIG. 1 is a top, left, front perspective view of an electrically conductive contact according to my design;  
FIG. 2 is a bottom, right, front perspective view thereof;  
FIG. 3 is a bottom, left, front perspective view thereof;  
FIG. 4 is a bottom, left, rear perspective view thereof;  
FIG. 5 is a front elevation view thereof;  
FIG. 6 is a rear elevation view thereof;  
FIG. 7 is a top plan view thereof;  
FIG. 8 is a bottom plan view thereof;  
FIG. 9 is a right side elevation view thereof; and,  
FIG. 10 is a left side elevation view thereof.

**1 Claim, 4 Drawing Sheets**



# US D764,412 S

Page 2

---

(56)

## References Cited

### U.S. PATENT DOCUMENTS

2012/0171909	A1*	7/2012	Harada	.....	439/862
2013/0225013	A1*	8/2013	Peng	.....	439/729
2015/0038003	A1*	2/2015	Sabo	.....	439/401

2012/0052733 A1\* 3/2012 Zhu ..... 439/626 \* cited by examiner

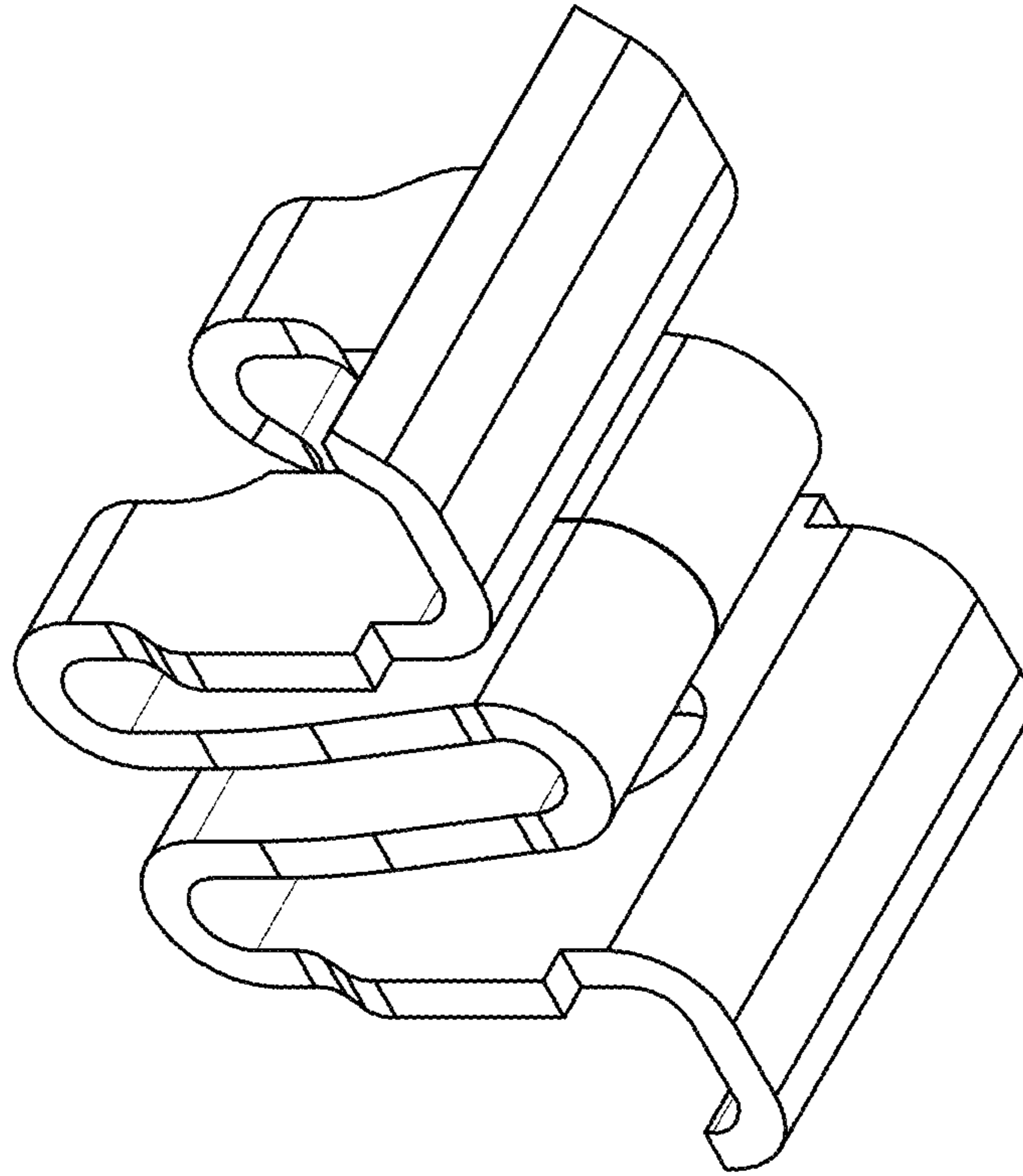


Fig.2

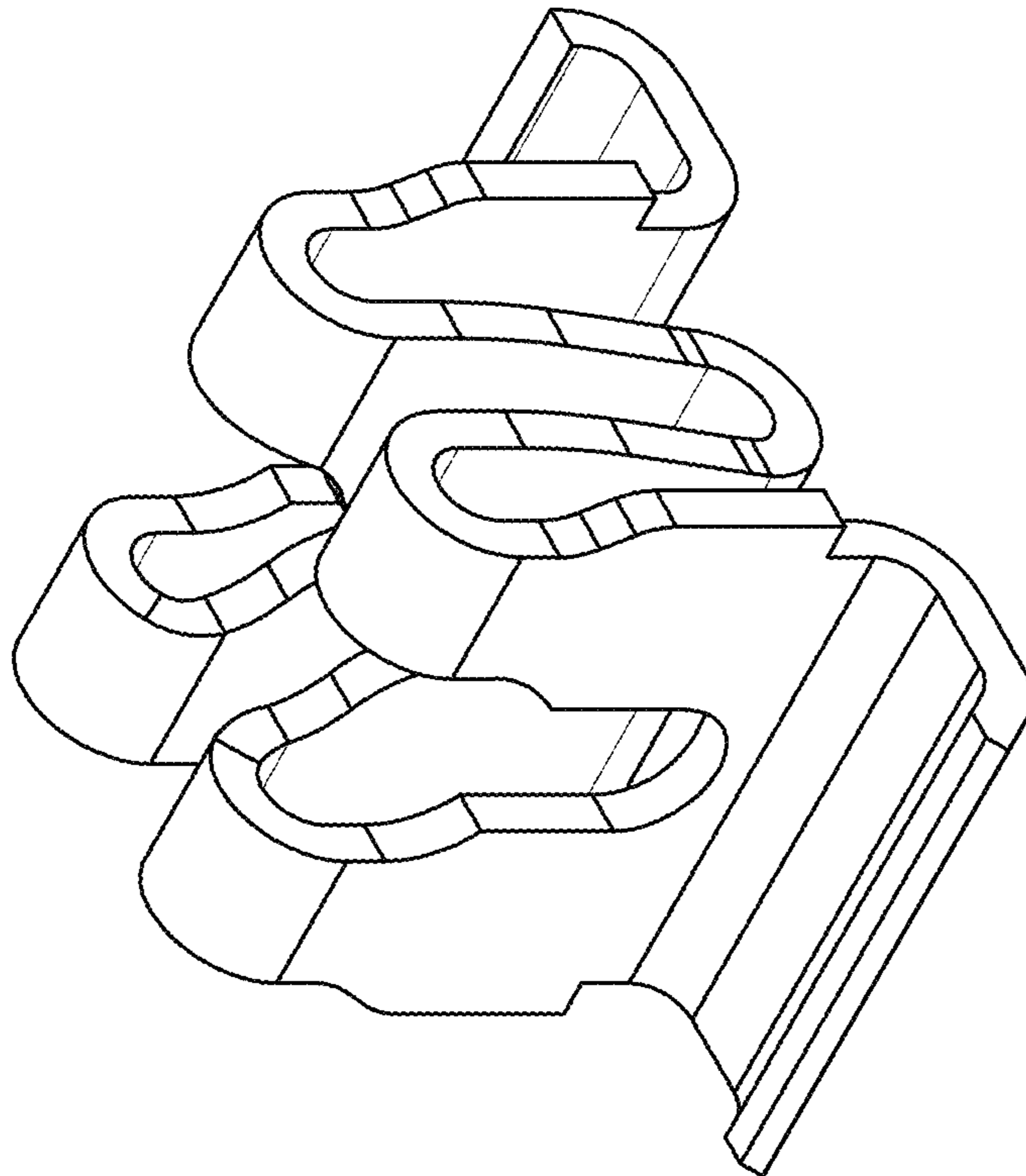


Fig.1

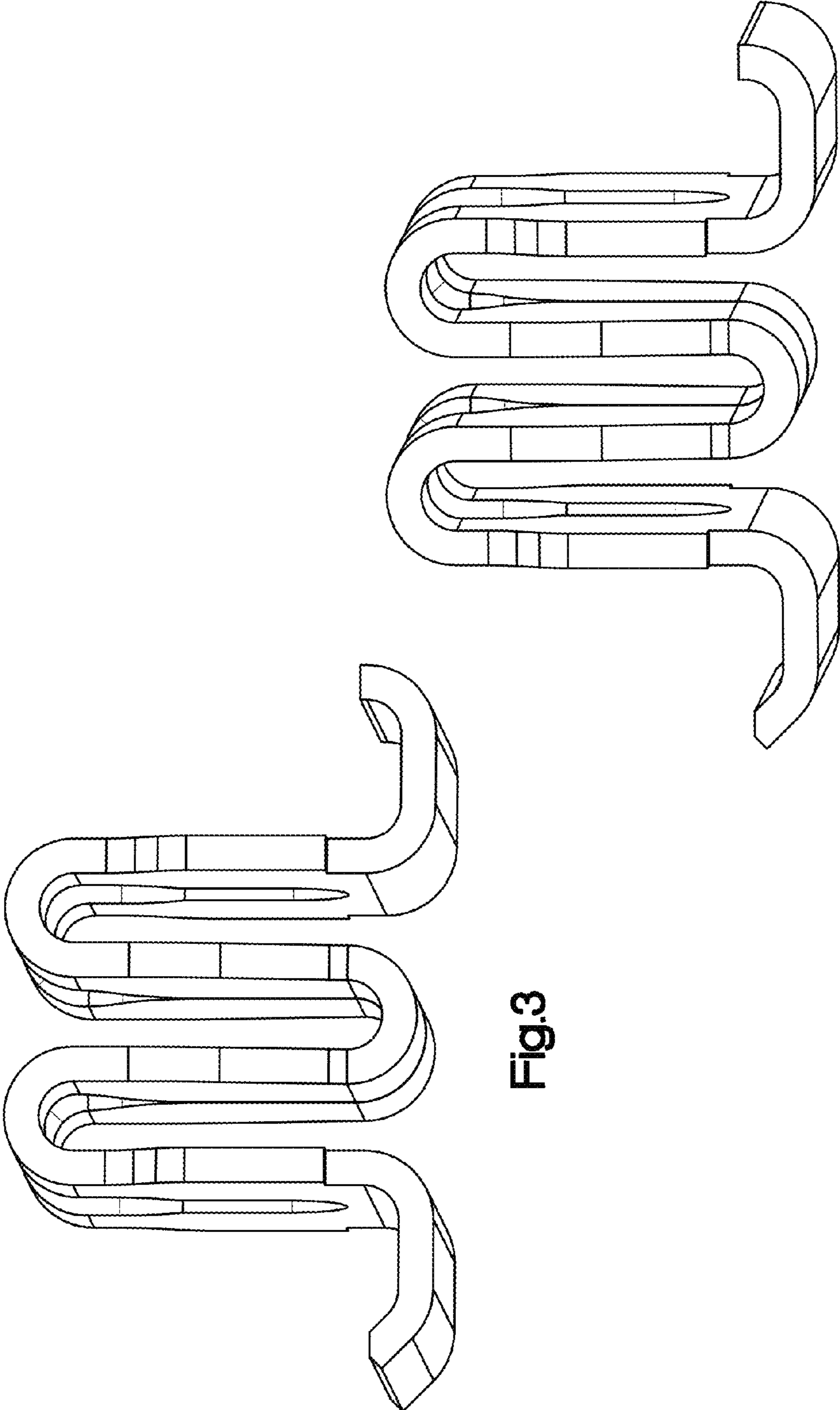


Fig.3

Fig.4

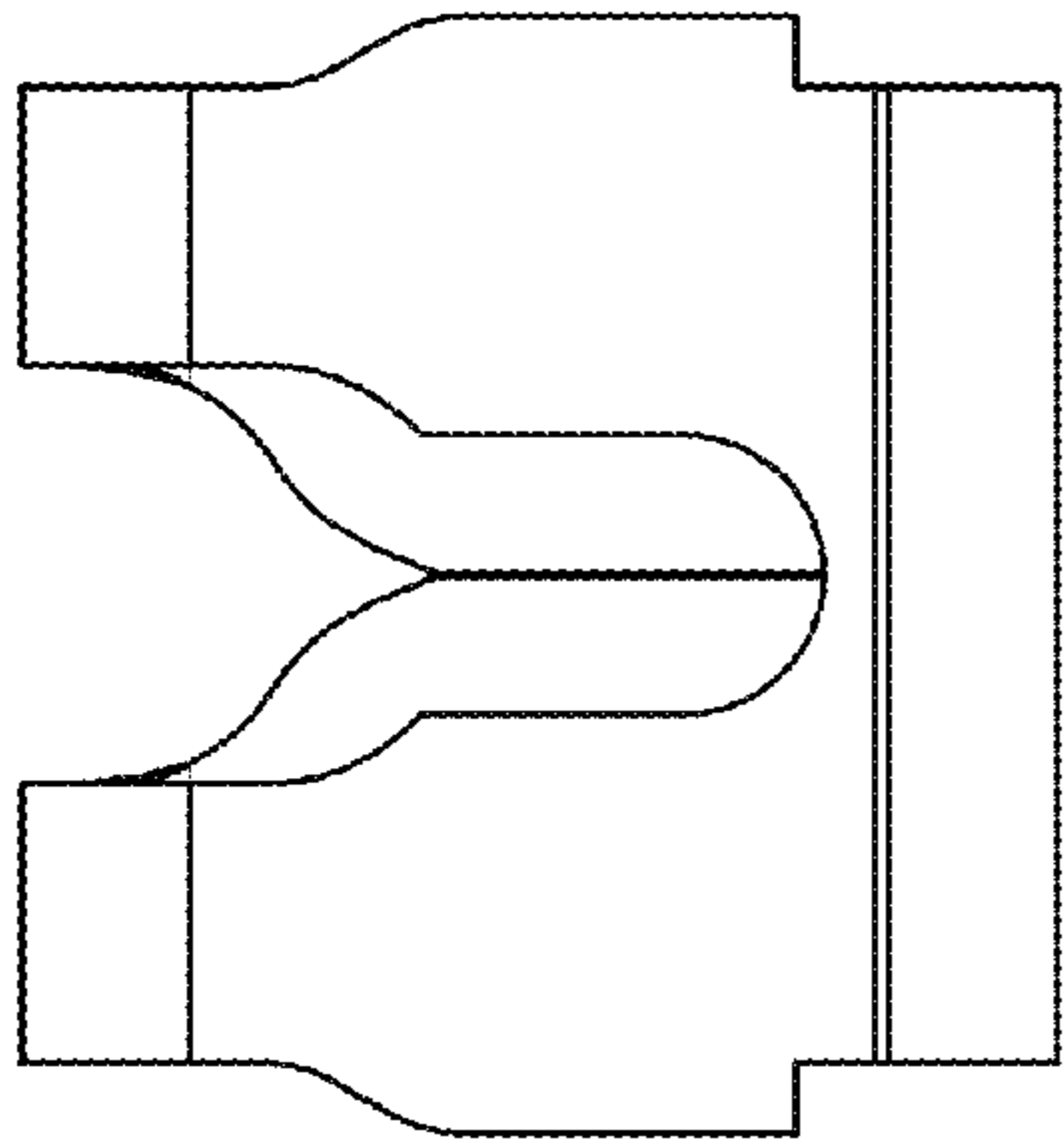


Fig.6

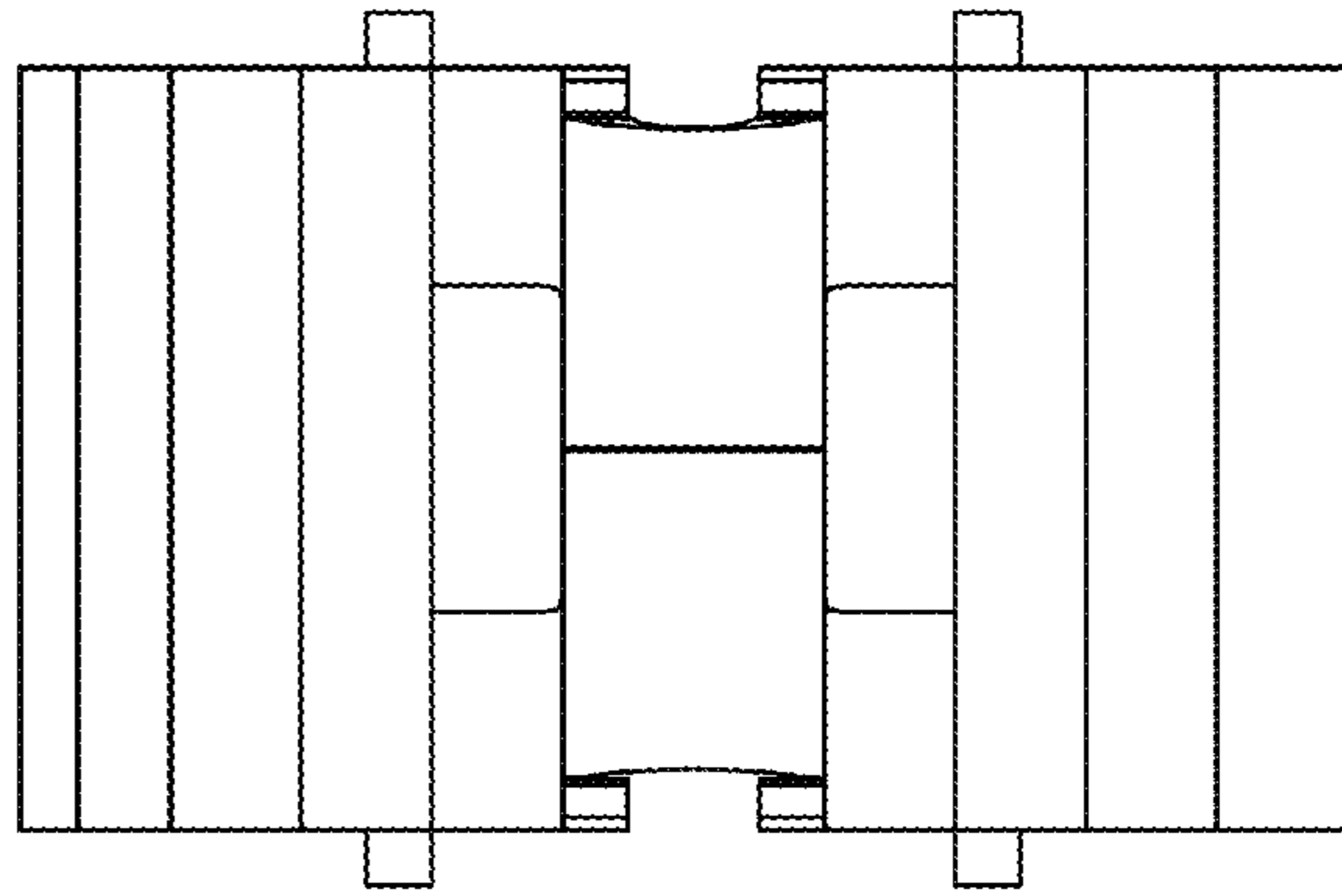


Fig.8

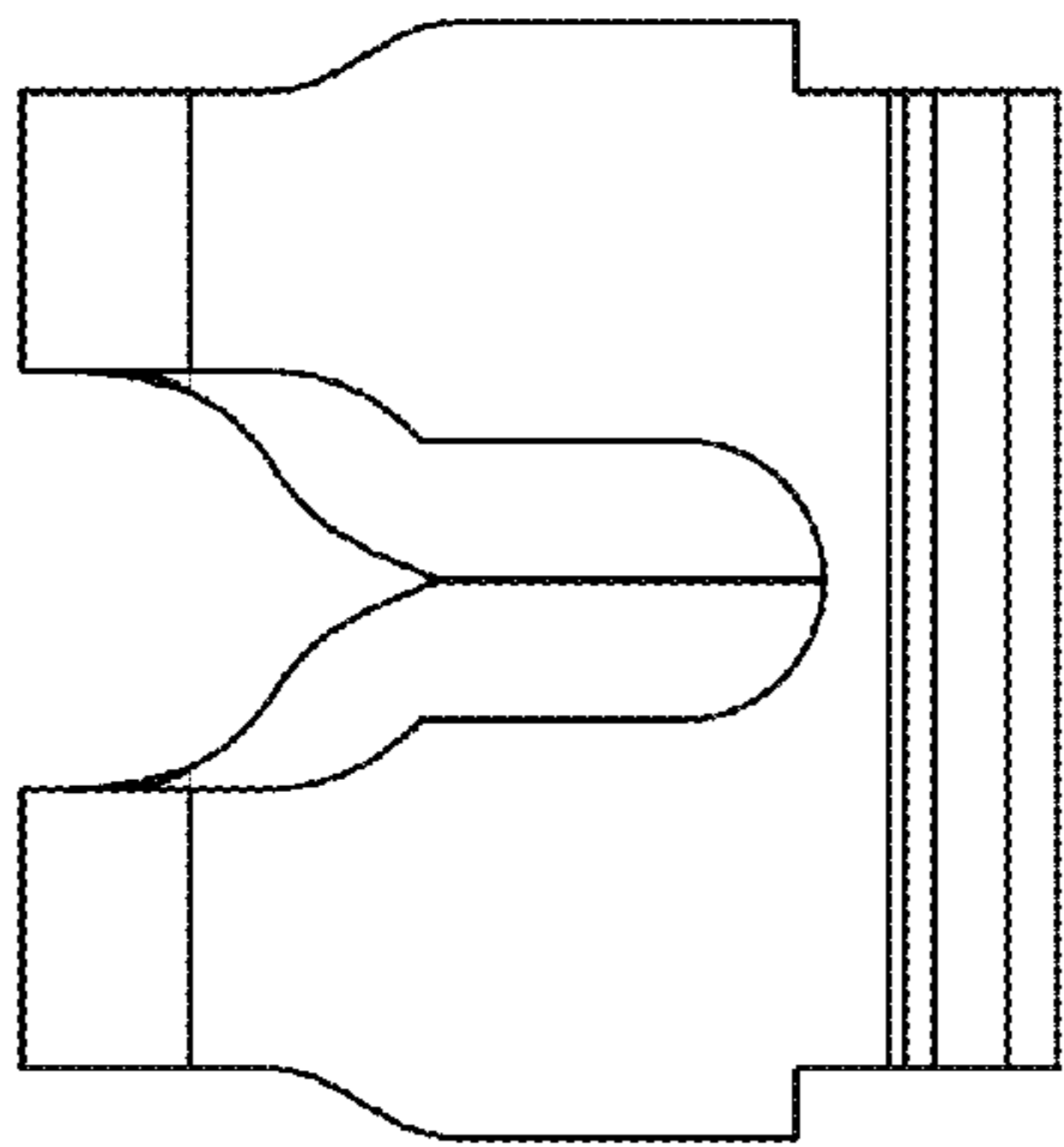


Fig.5

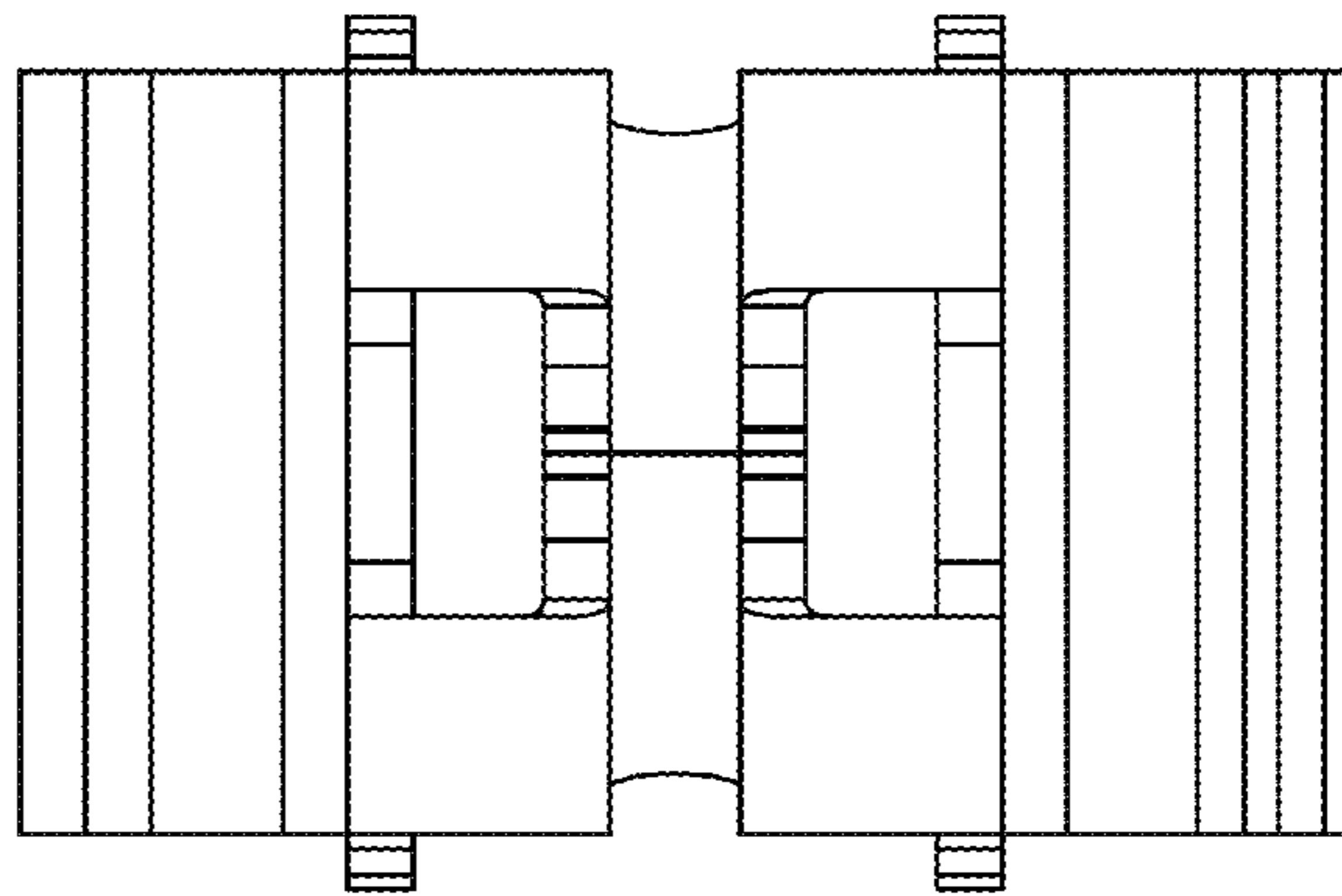


Fig.7

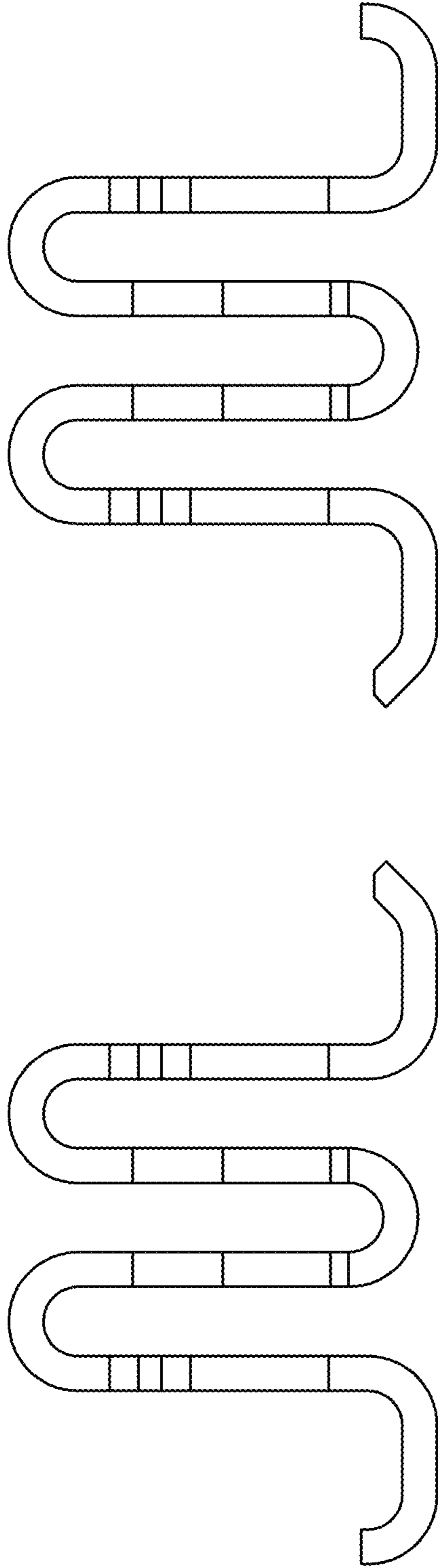


Fig.9

Fig.10