

US00D764411S

(12) **United States Design Patent** (10) **Patent No.:** **US D764,411 S**  
**Sondors et al.** (45) **Date of Patent:** **\*\* Aug. 23, 2016**

- (54) **BIKE BATTERY BOX**
- (71) Applicant: **Pacific Storm, Inc.**, Malibu, CA (US)
- (72) Inventors: **Storm Sondors**, Malibu, CA (US);  
**Timothy Dean Harvey**, Malibu, CA (US)
- (73) Assignee: **Pacific Storm, Inc.**, Malibu, CA (US)
- (\*\*) Term: **14 Years**
- (21) Appl. No.: **29/519,901**
- (22) Filed: **Mar. 9, 2015**
- (51) **LOC (10) Cl.** ..... **13-02**
- (52) **U.S. Cl.**  
USPC ..... **D13/119; D12/410**
- (58) **Field of Classification Search**  
USPC ..... D13/102–106, 184, 110, 118–119;  
206/703–705, 493, 485.1, 485,  
206/461–463, 471; 429/96–100, 163, 176,  
429/61; D12/409–410  
CPC ..... Y02E 60/12; Y02E 60/122; Y02E 60/50;  
H01M 2/02; H01M 2/0207  
See application file for complete search history.

- (56) **References Cited**  
U.S. PATENT DOCUMENTS
- D380,611 S \* 7/1997 Mancusi ..... D13/119
- D391,078 S \* 2/1998 Jacober ..... D3/304
- 5,789,898 A 8/1998 Suzuki et al.
- D413,442 S \* 9/1999 Jacober ..... D3/304
- 6,016,882 A 1/2000 Ishikawa
- 6,423,443 B1 7/2002 Tsuboi et al.
- D468,688 S \* 1/2003 Helman ..... D13/119
- D476,950 S \* 7/2003 Peress ..... D13/103
- D490,375 S \* 5/2004 Pomerance ..... D13/119
- 7,117,966 B2 10/2006 Kohda et al.
- 7,393,125 B1 7/2008 Lai
- D585,371 S \* 1/2009 Foreman ..... D13/119

- D585,372 S \* 1/2009 Foreman ..... D13/119
- D605,587 S \* 12/2009 Nomi ..... D13/107
- D624,016 S \* 9/2010 Seehoff ..... D13/119
- 7,934,576 B2 5/2011 Munksoe
- D692,824 S \* 11/2013 Fiaschetti ..... D13/108
- 8,651,212 B2 2/2014 Vincenz
- D719,095 S \* 12/2014 Oota ..... D13/103
- D720,696 S \* 1/2015 Huang ..... D13/119
- D725,031 S \* 3/2015 Tinius ..... D13/103
- D726,134 S \* 4/2015 Prendes ..... D10/104.1

(Continued)

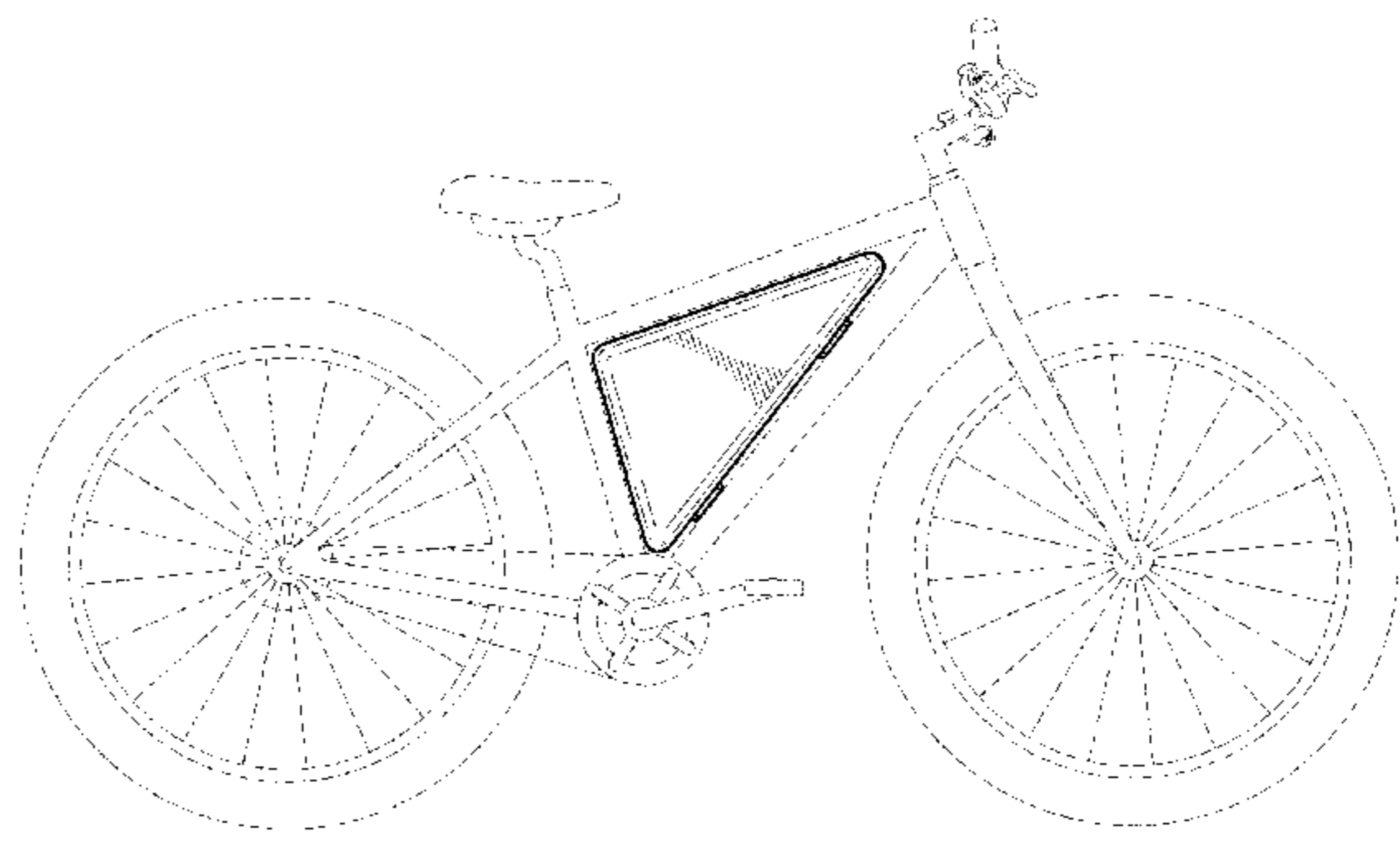
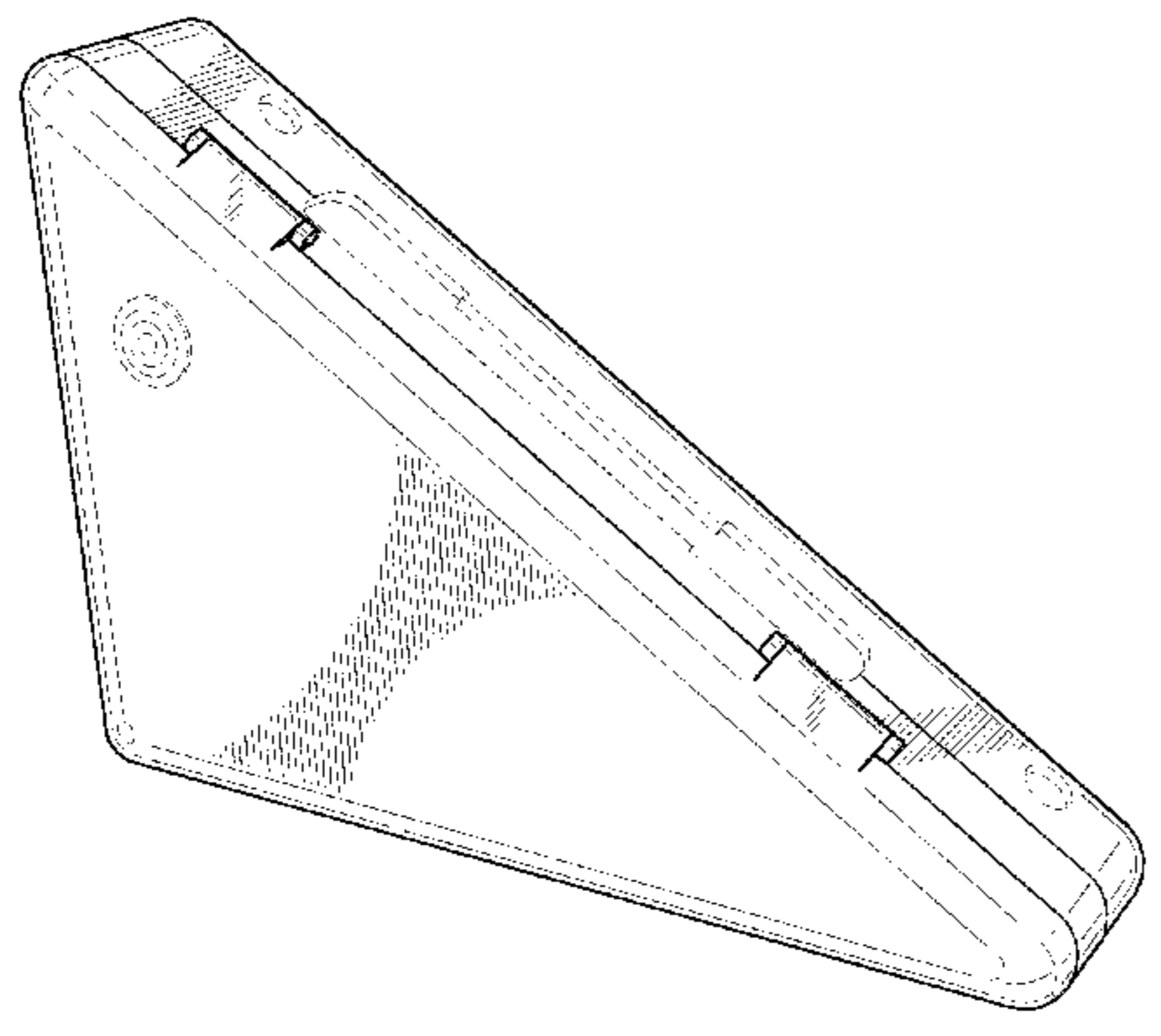
*Primary Examiner* — Rosemary K Tarcza  
*Assistant Examiner* — James Thorn, Sr.  
(74) *Attorney, Agent, or Firm* — Lewis Kohn & Walker LLP; Kent M. Walker; Kari Moyer-Henry

(57) **CLAIM**  
The ornamental design for a bike battery box, as shown and described.

**DESCRIPTION**

FIG. 1 is a top perspective view of the bike battery box embodied in the present invention;  
FIG. 2 is a top view of the bike battery box from FIG. 1;  
FIG. 3 is a underside view of the bike battery box from FIG. 1;  
FIG. 4 is a top view of the diagonal side of the bike battery box from FIG. 2;  
FIG. 5 is a top view of the horizontal side of the bike battery box from FIG. 2;  
FIG. 6 is a front view of the horizontal side of the bike battery box of FIG. 2;  
FIG. 7 is a front view of the vertical side of the bike battery box of FIG. 2; and,  
FIG. 8 is an underside view of the bike battery box of FIG. 2.  
The dash-dash-dash type broken line shown in FIGS. 1-2 and 4-8 are included for the purpose of illustrating environmental context and forms no part of the claimed design.

**1 Claim, 6 Drawing Sheets**



# US D764,411 S

Page 2

---

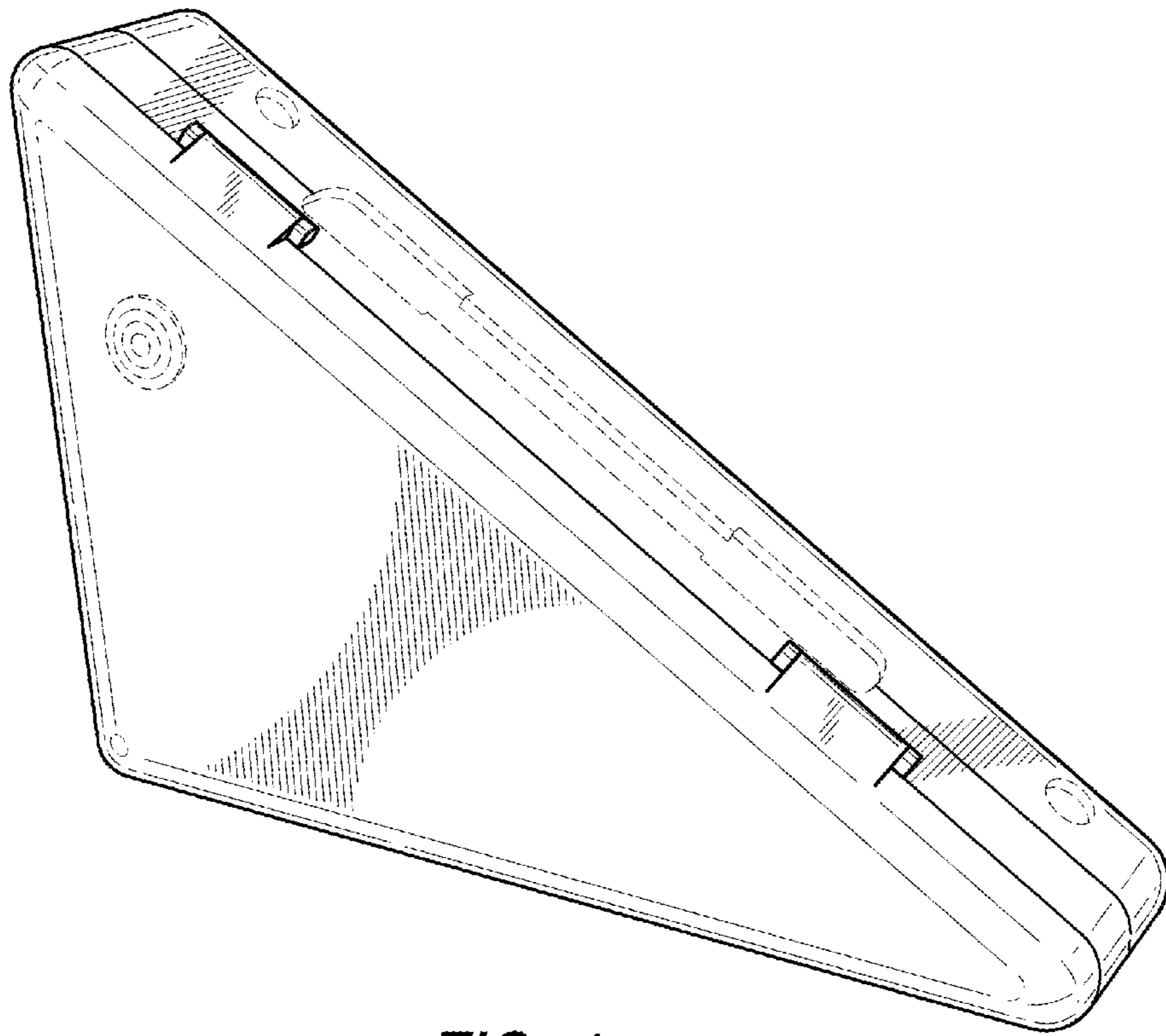
(56)

## References Cited

### U.S. PATENT DOCUMENTS

2009/0214935 A1*	8/2009	Berman .....	H01M 2/1066 429/61	2011/0316710 A1*	12/2011	Dai .....	H01M 6/5033 340/636.19
2010/0003589 A1*	1/2010	Yoda .....	H01M 2/1077 429/130	2016/0093837 A1*	3/2016	Bushnell .....	H01M 2/0202 429/176
				2016/0099442 A1*	4/2016	Kanayama .....	H01M 2/043 429/175

\* cited by examiner



**FIG. 1**

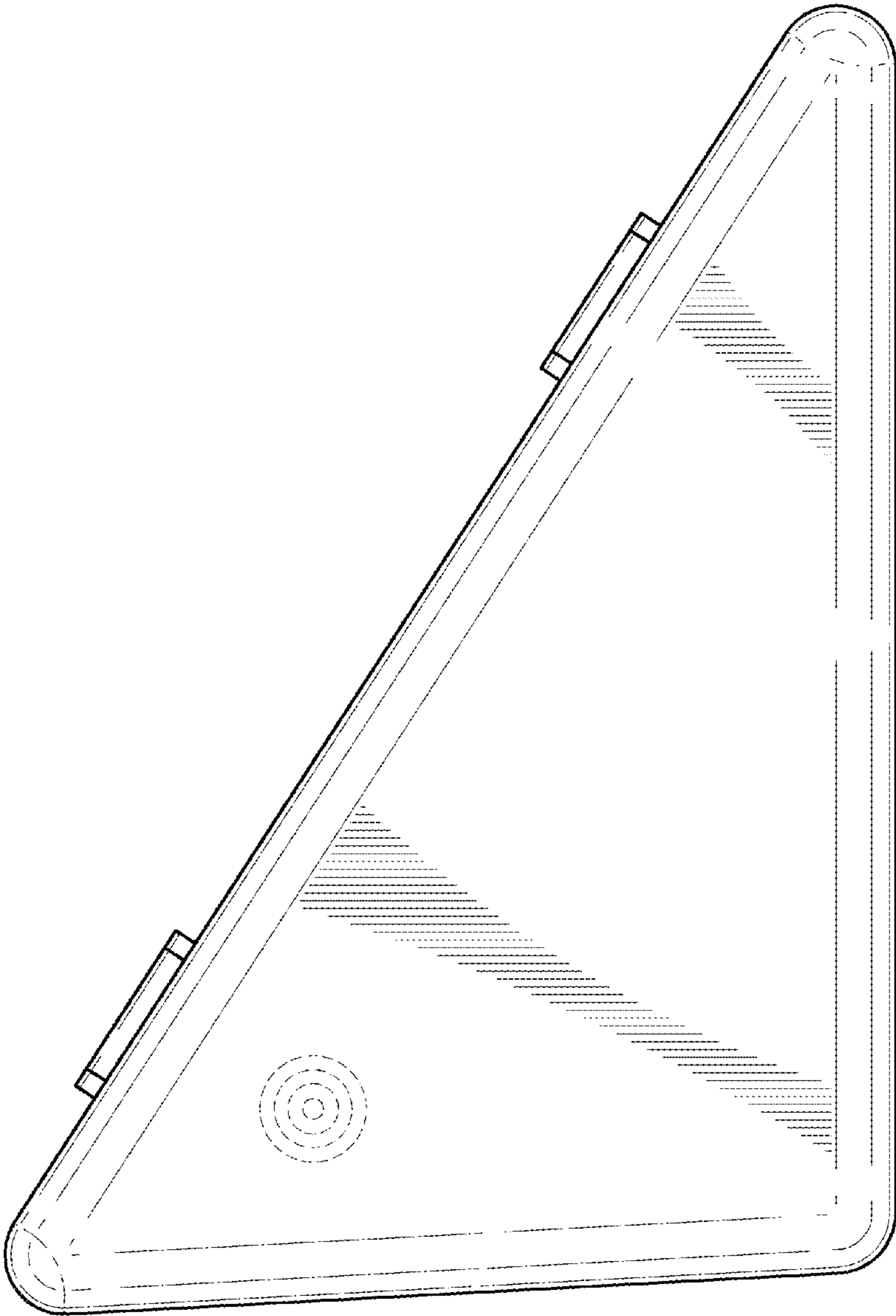


FIG. 2

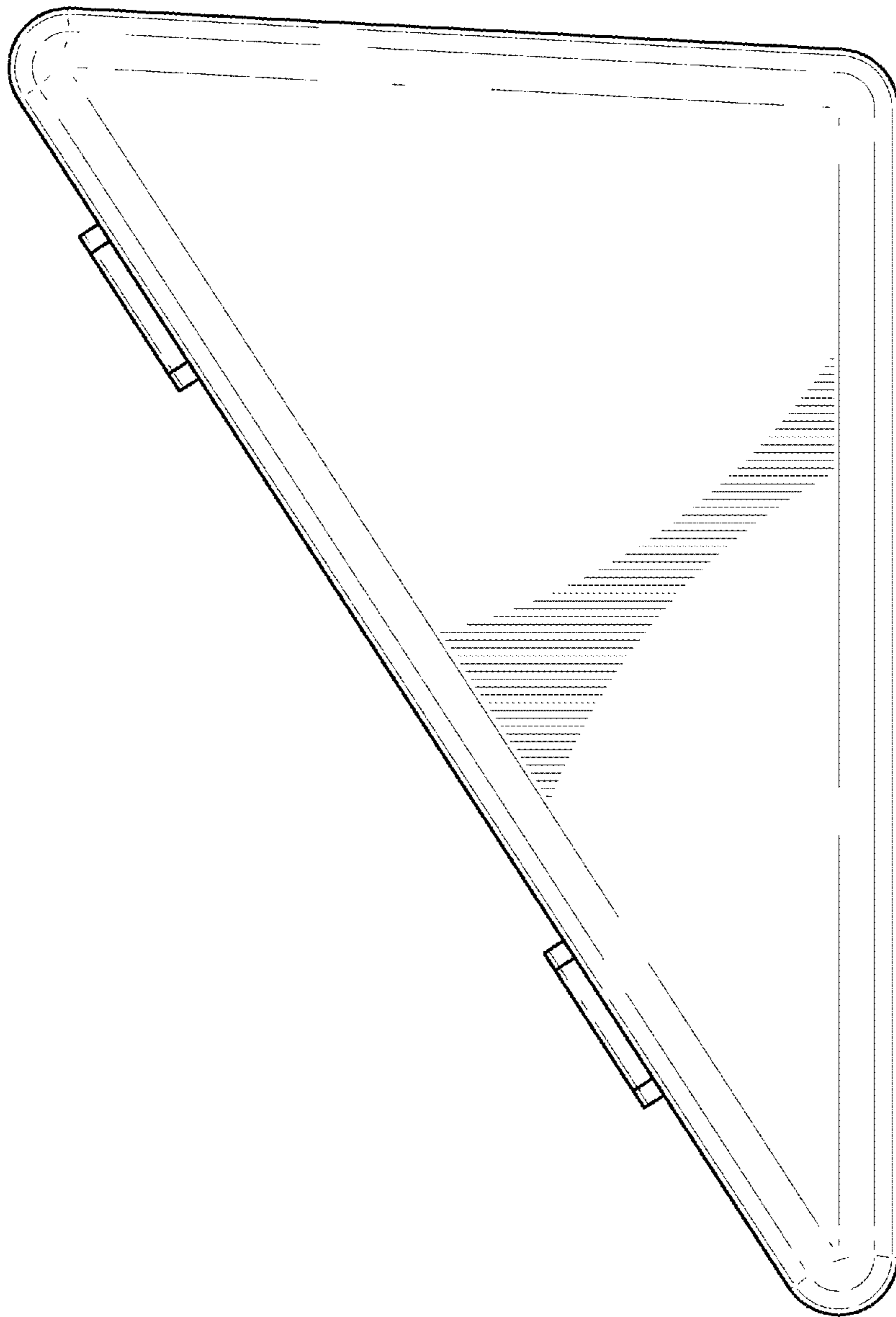
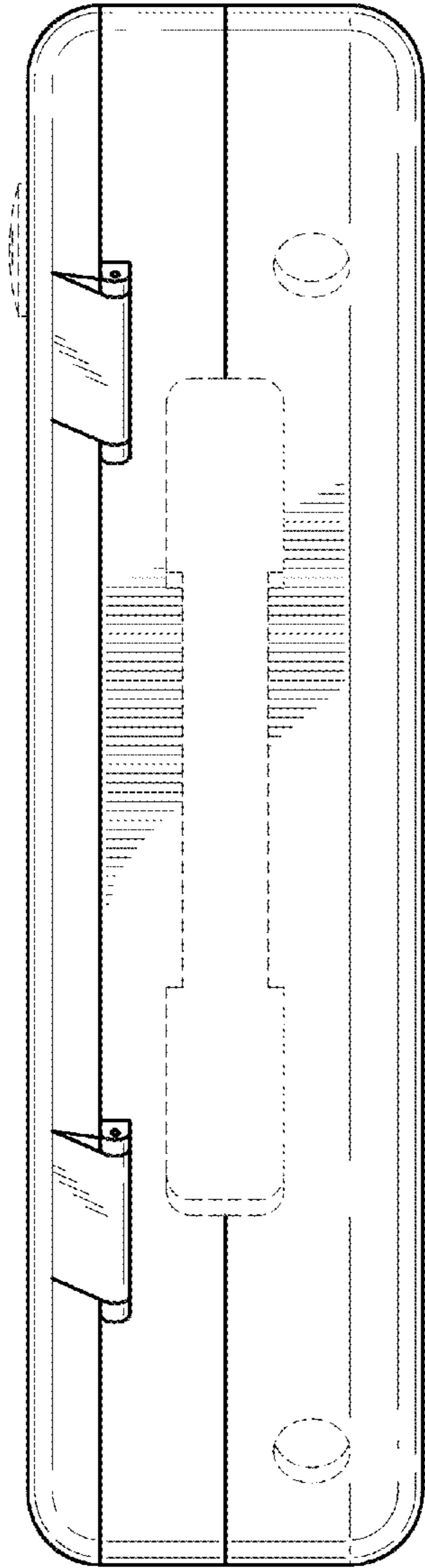
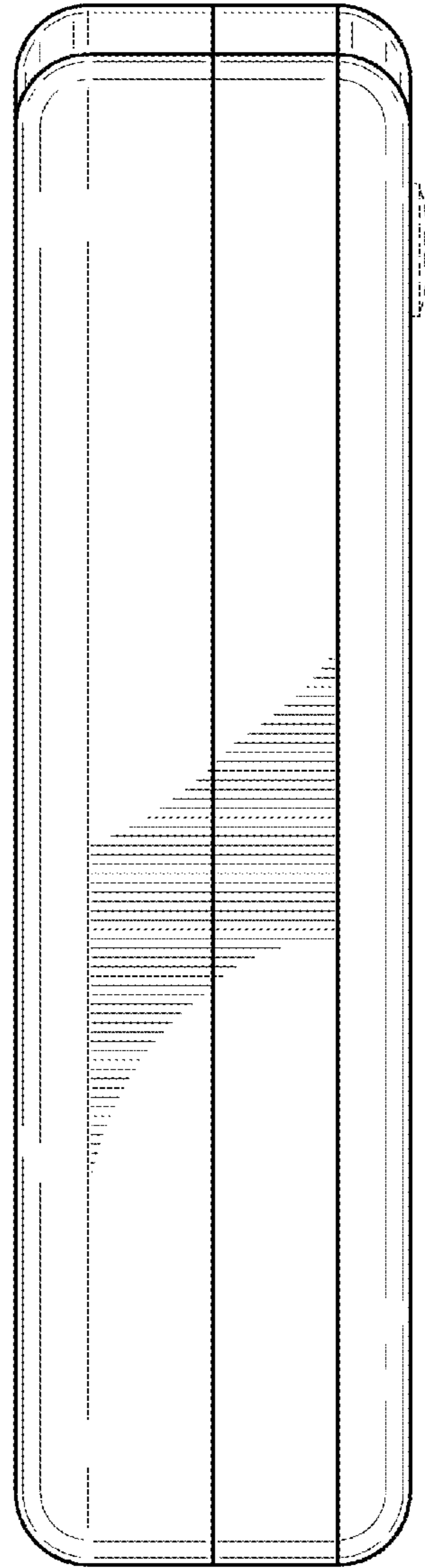


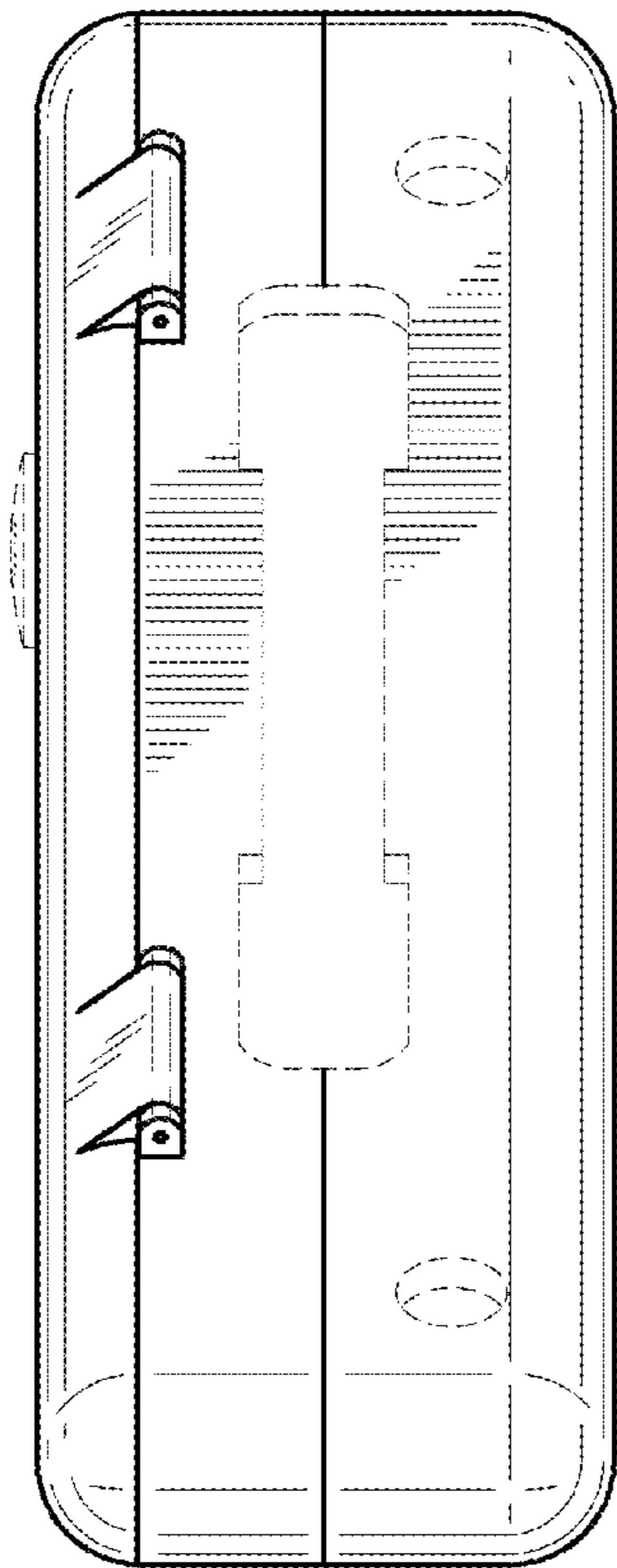
FIG. 3



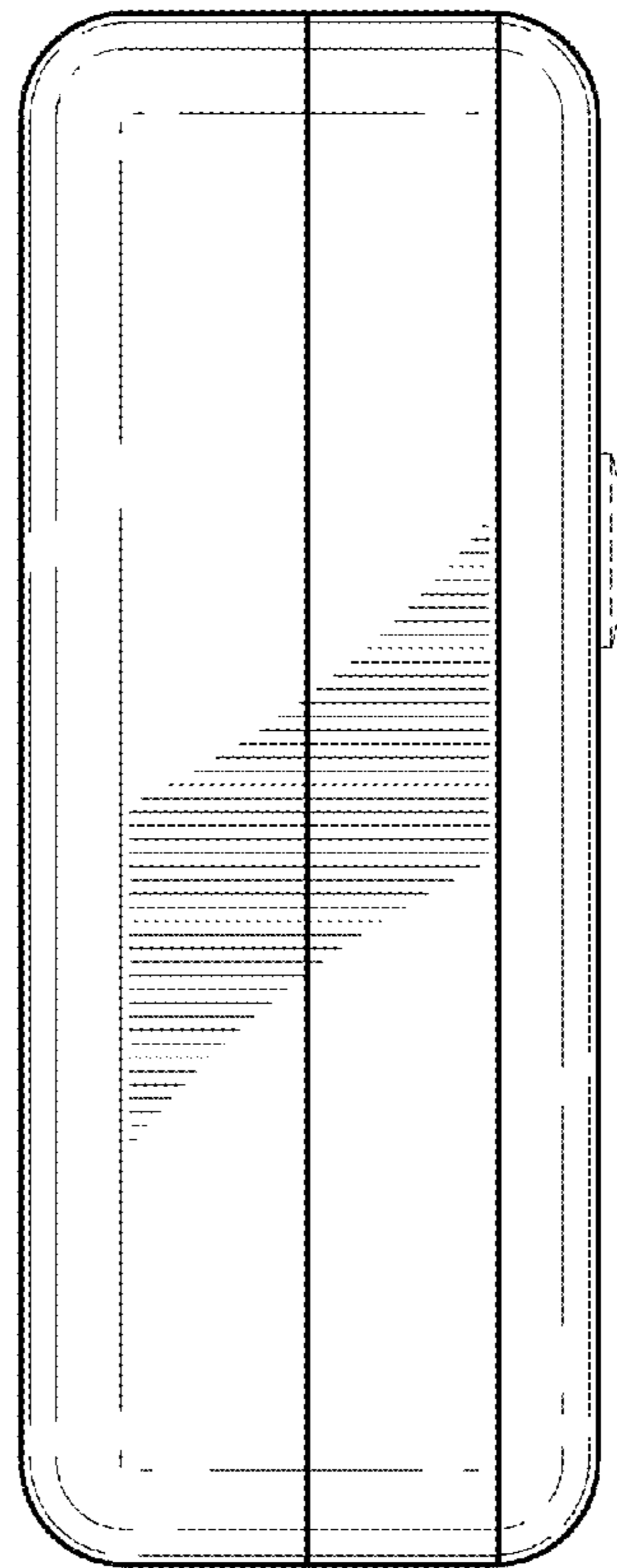
**FIG. 4**



**FIG. 5**



**FIG. 6**



**FIG. 7**

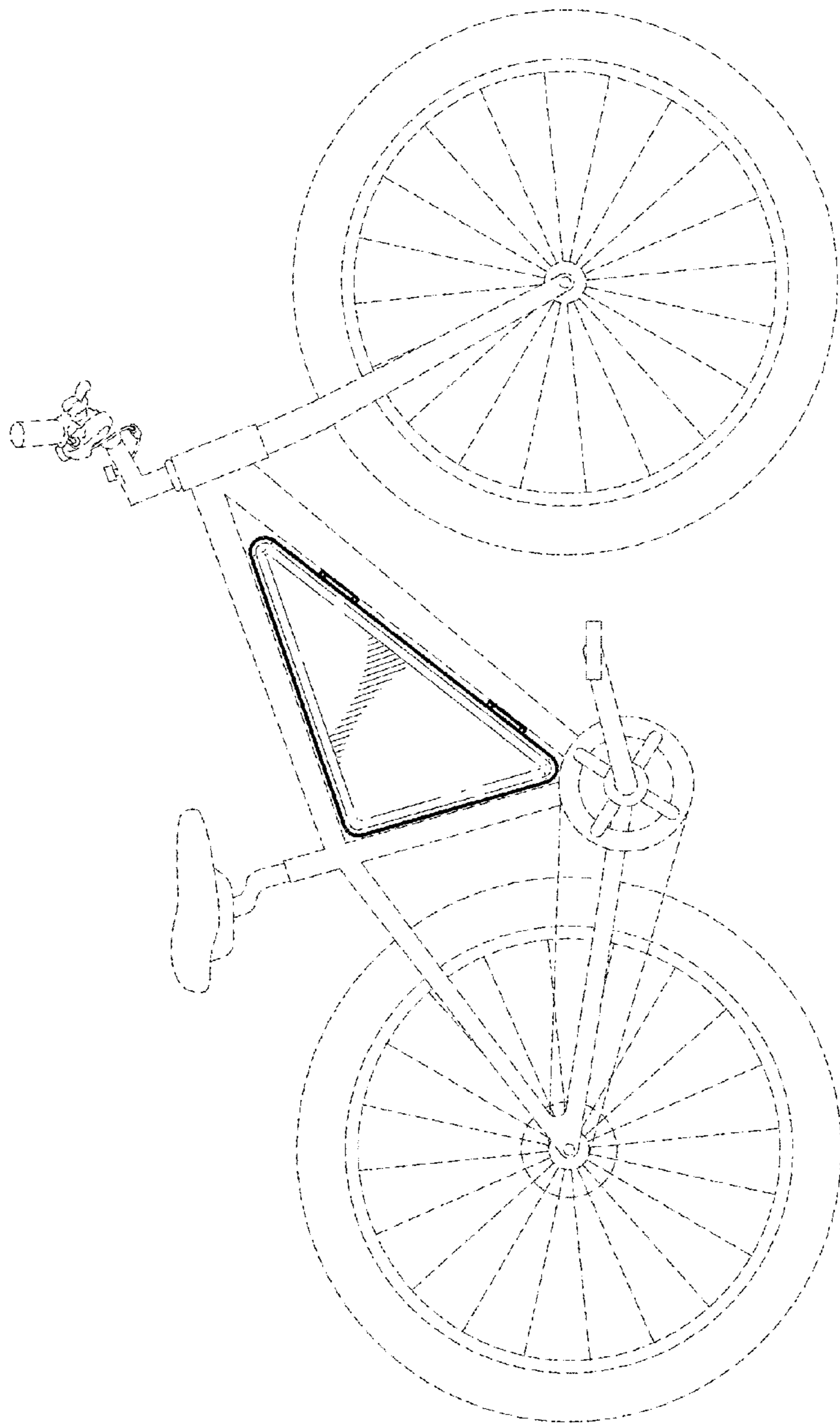


FIG. 8