



US00D764409S

(12) **United States Design Patent**
Alesi et al.

(10) **Patent No.:** **US D764,409 S**
(45) **Date of Patent:** **** Aug. 23, 2016**

(54) **USB ADAPTER**

(71) Applicant: **Custom Accessories Inc.**, Richmond, IL (US)

(72) Inventors: **Vincent Anthony Alesi**, Richmond, IL (US); **Anthony Salvatore Ferenzi**, Richmond, IL (US)

(73) Assignee: **Custom Accessories Inc.**, Richmond, IL (US)

(**) Term: **14 Years**

(21) Appl. No.: **29/517,022**

(22) Filed: **Feb. 9, 2015**

(51) **LOC (10) Cl.** **13-02**

(52) **U.S. Cl.**
USPC **D13/110**

(58) **Field of Classification Search**
USPC D13/110, 107, 108, 118, 119, 123, 133, D13/137.1, 184, 199; D14/242, 251, 432, D14/433, 434; 174/53, 54, 59, 61; 307/11, 307/150, 151; 320/107, 111, 112, 113, 114, 320/115; 361/679.01; 363/142, 146; 439/131, 172, 626, 628, 638
CPC H01R 31/06; H01R 25/00; H02M 7/003; H05K 7/1432; H02J 7/0062
See application file for complete search history.

(56) **References Cited**

U.S. PATENT DOCUMENTS

2,143,529 A * 1/1939 White B26B 19/3833
206/351
D446,499 S * 8/2001 Andre D13/110

D454,110 S * 3/2002 Andre D13/110
D476,297 S * 6/2003 Schwimmer D13/184
D544,438 S * 6/2007 Hussaini D13/110
D576,100 S * 9/2008 Wang D13/110
D595,224 S * 6/2009 Seil D13/108
D617,268 S * 6/2010 Yen D13/108
D652,380 S * 1/2012 Chen D13/110
D671,491 S * 11/2012 Zaslavsky D13/110
D680,492 S * 4/2013 Smith D13/110
D693,768 S * 11/2013 Alesi D13/110

* cited by examiner

Primary Examiner — Derrick Holland

(74) *Attorney, Agent, or Firm* — Leydig, Voit & Mayer, Ltd.

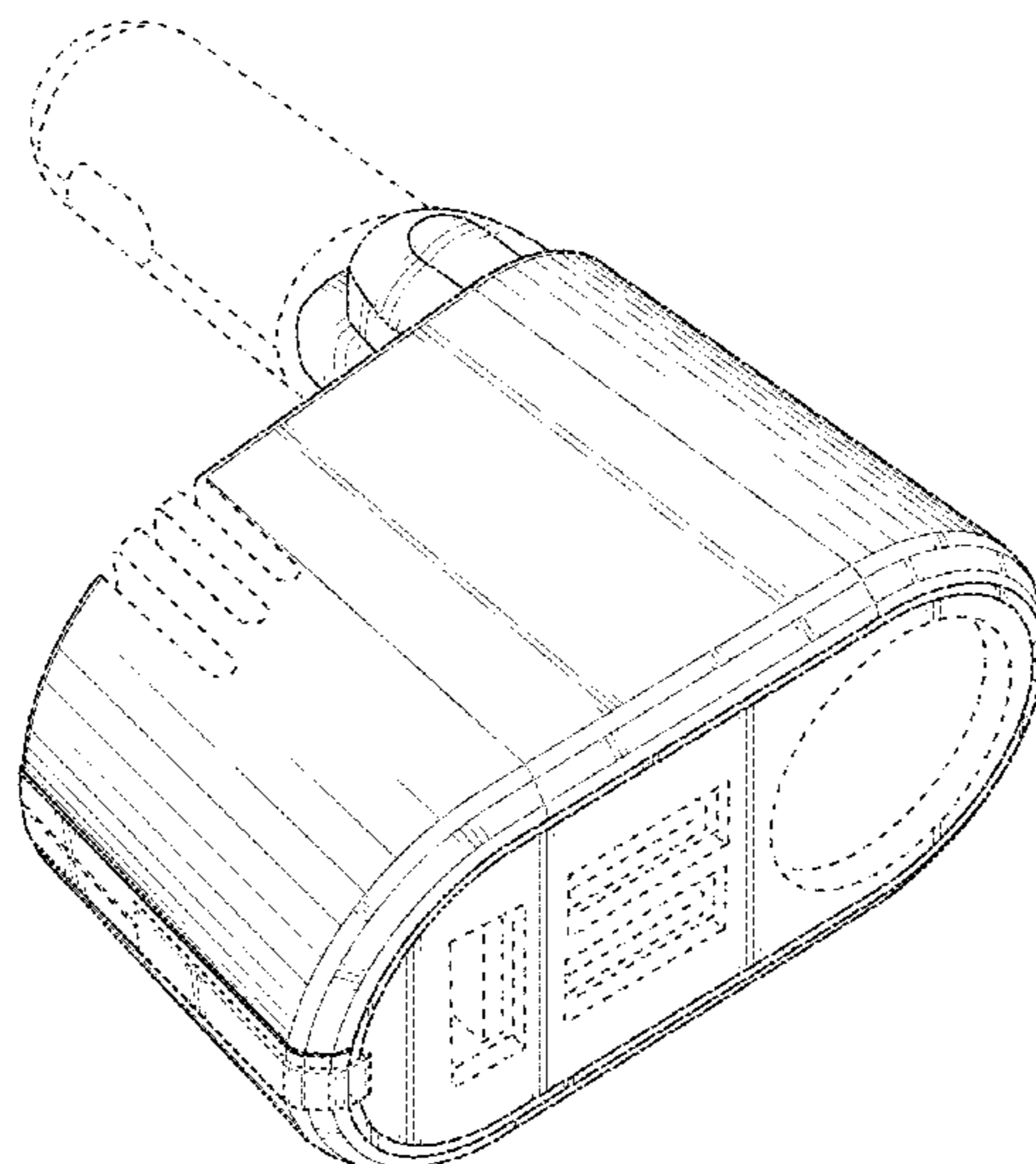
(57) **CLAIM**

The ornamental design for a USB adapter, as shown and described.

DESCRIPTION

FIG. 1 is a perspective view taken from the front, top, and left side of a USB adapter in accordance with our new design.
FIG. 2 is a perspective view taken from the rear, top, and left side of the USB adapter of FIG. 1.
FIG. 3 is a front view of the USB adapter of FIG. 1.
FIG. 4 is a rear view of the USB adapter of FIG. 1.
FIG. 5 is a left side elevational view of the USB adapter of FIG. 1.
FIG. 6 is a right side elevational view of the USB adapter of FIG. 1.
FIG. 7 is a top view of the USB adapter of FIG. 1; and, FIG. 8 is a bottom view of the USB adapter of FIG. 1.
The broken lines shown represent unclaimed subject matter and form no part of the claimed design.

1 Claim, 7 Drawing Sheets



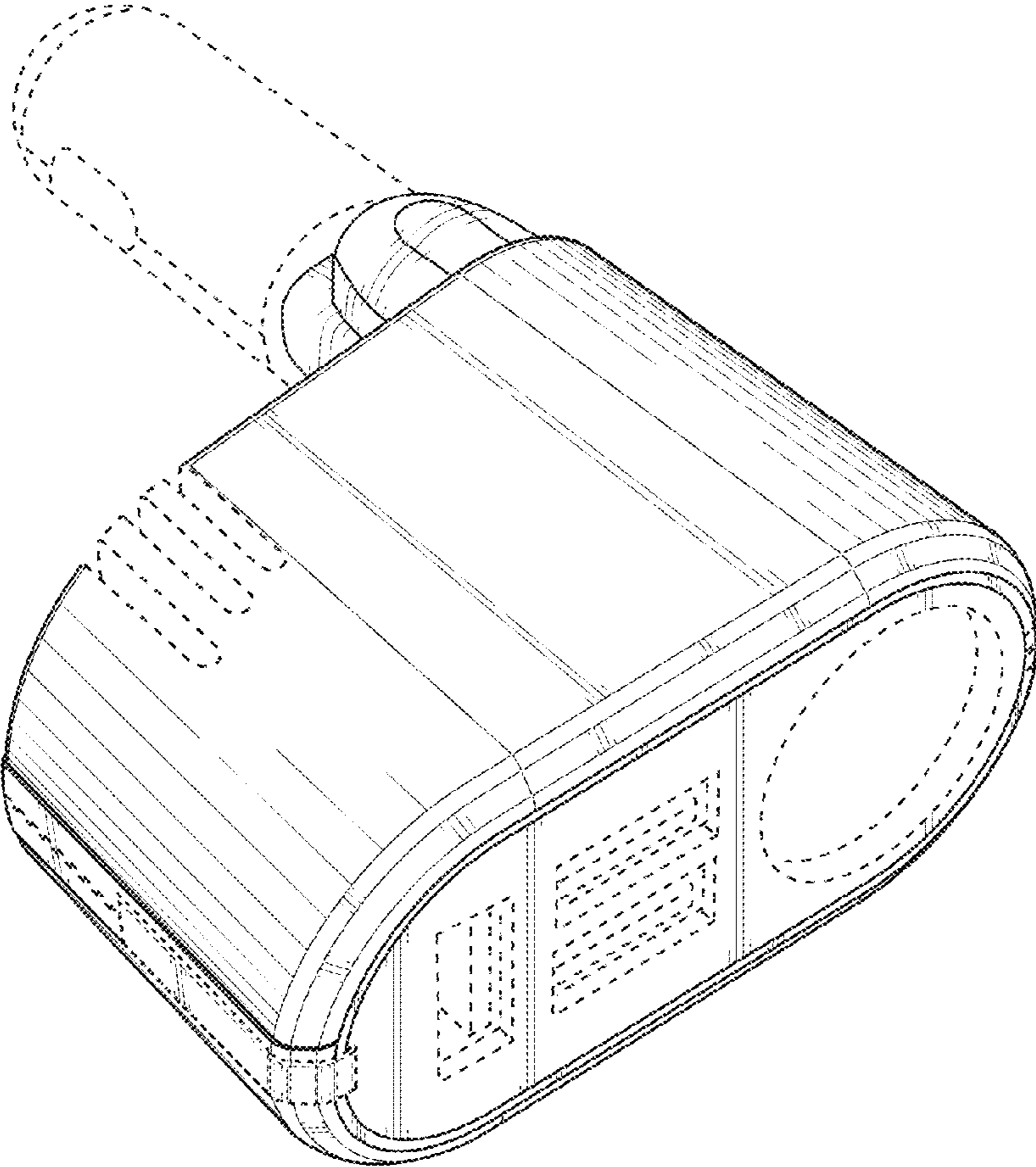


FIG. 1

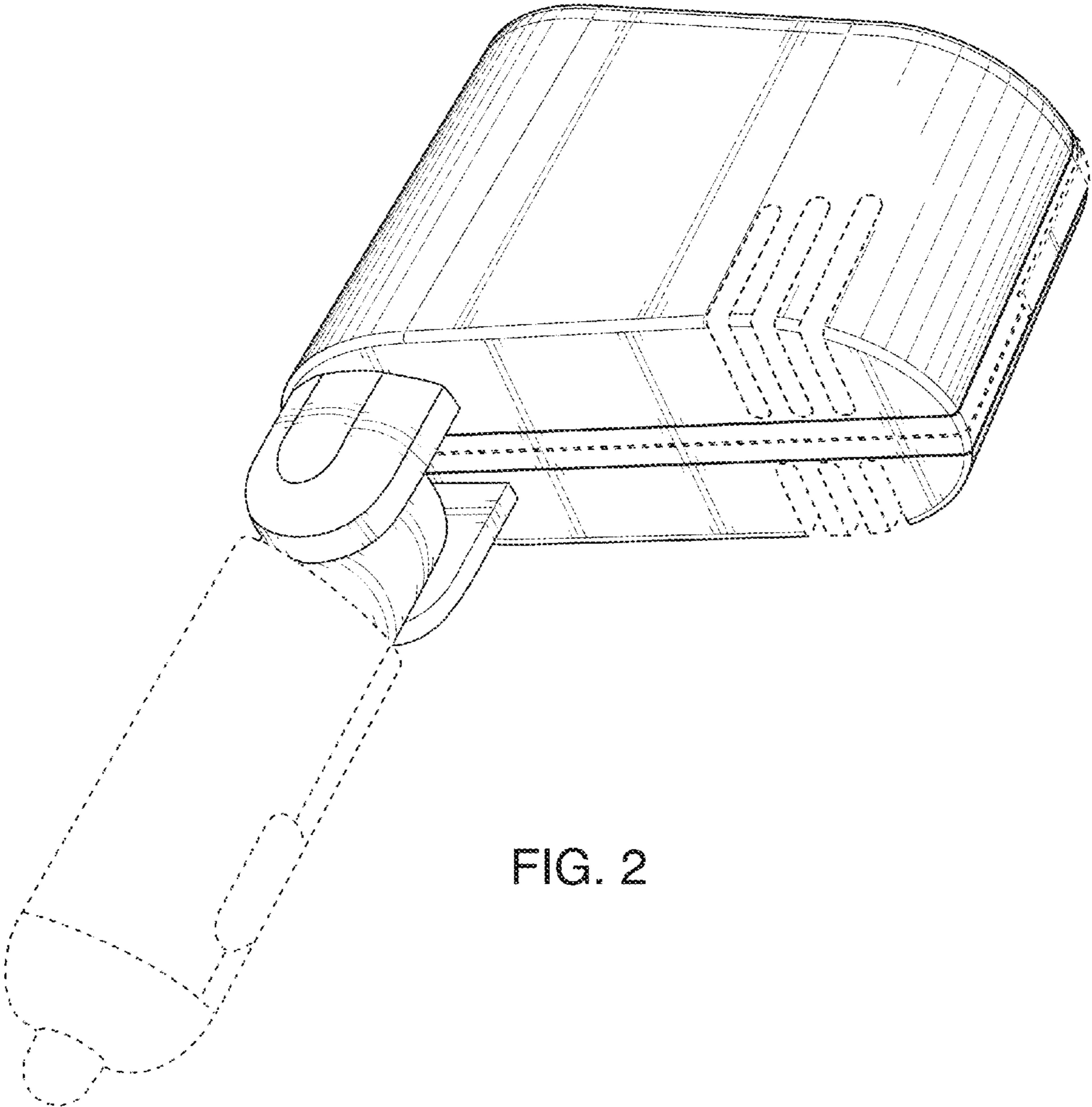


FIG. 2

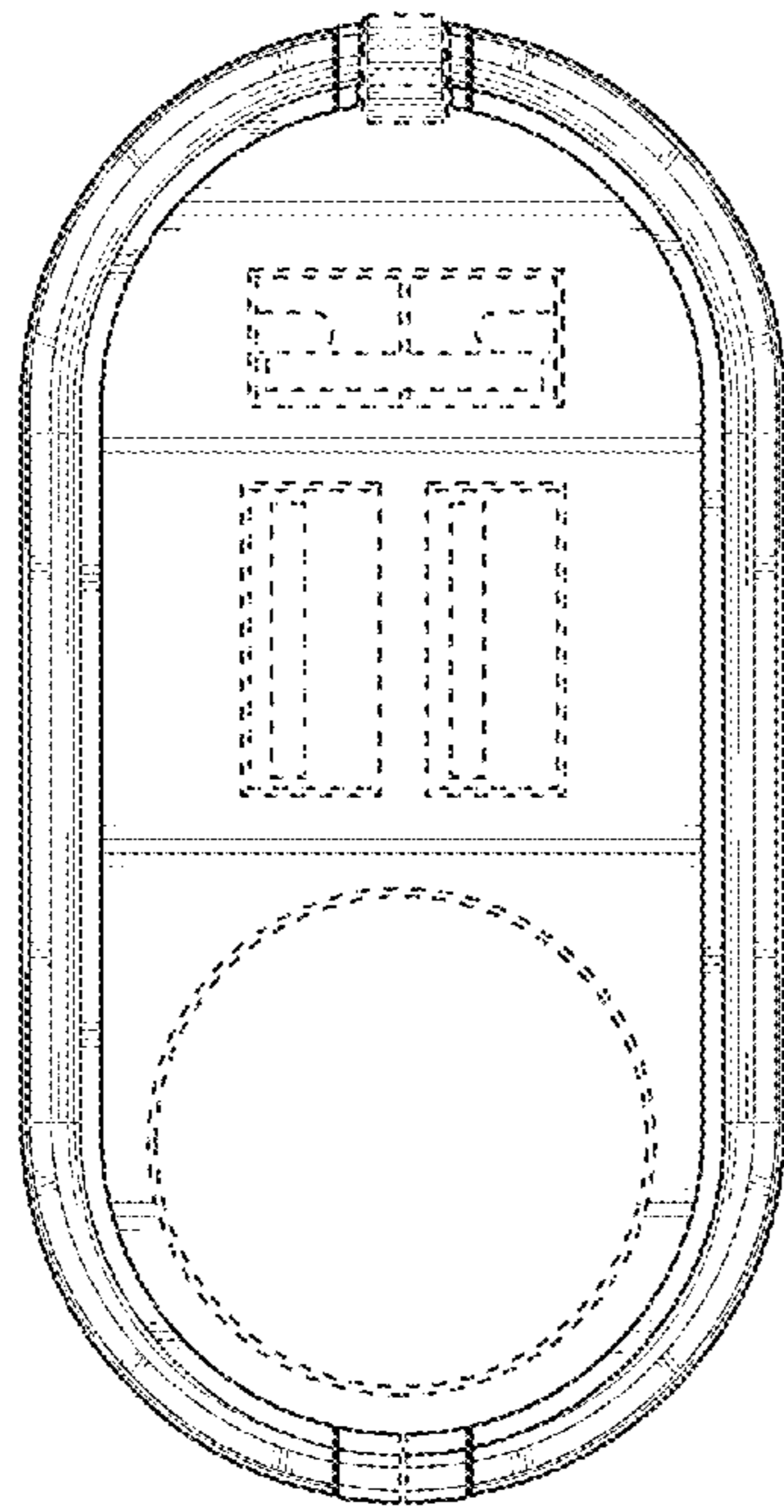


FIG. 3

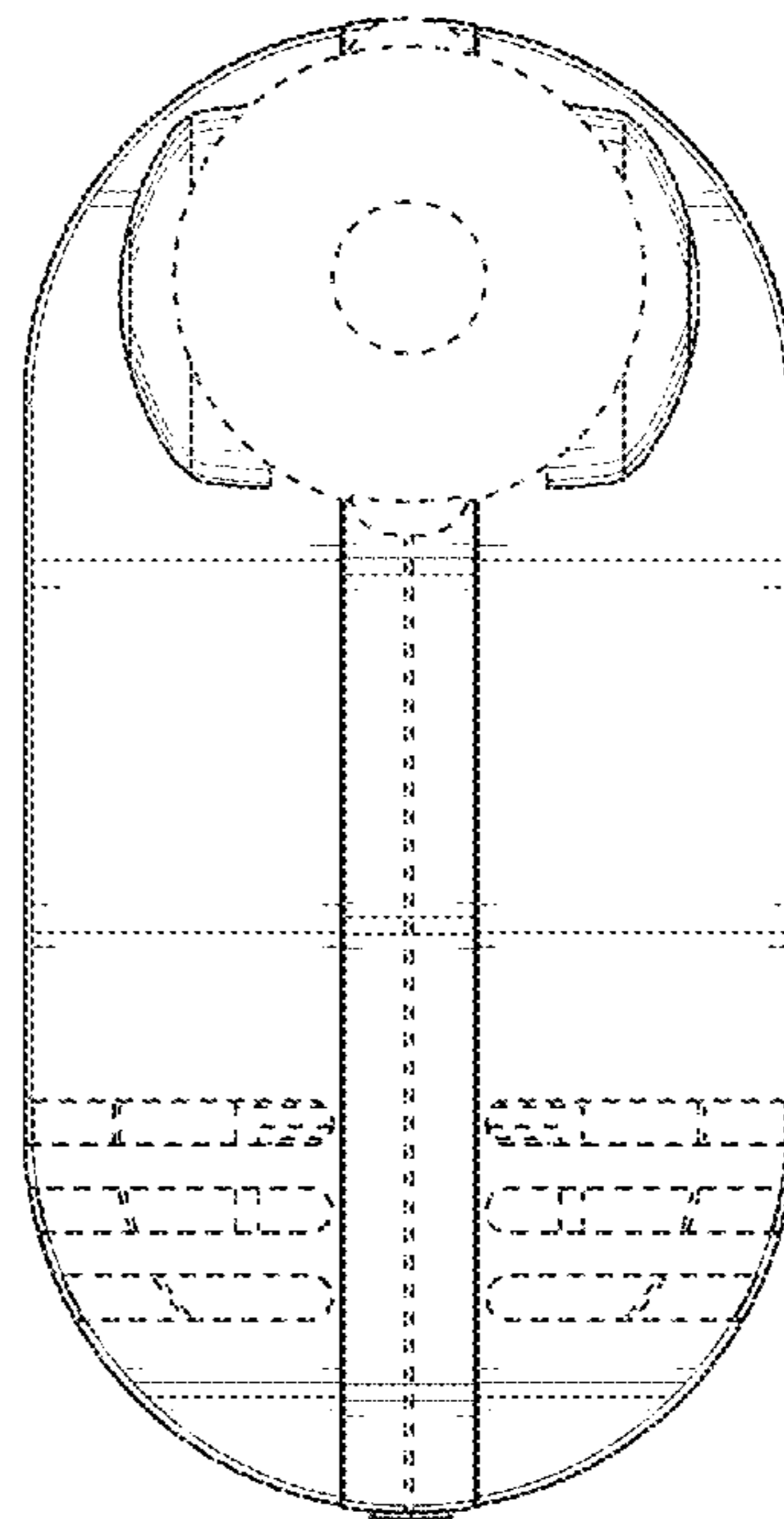


FIG. 4

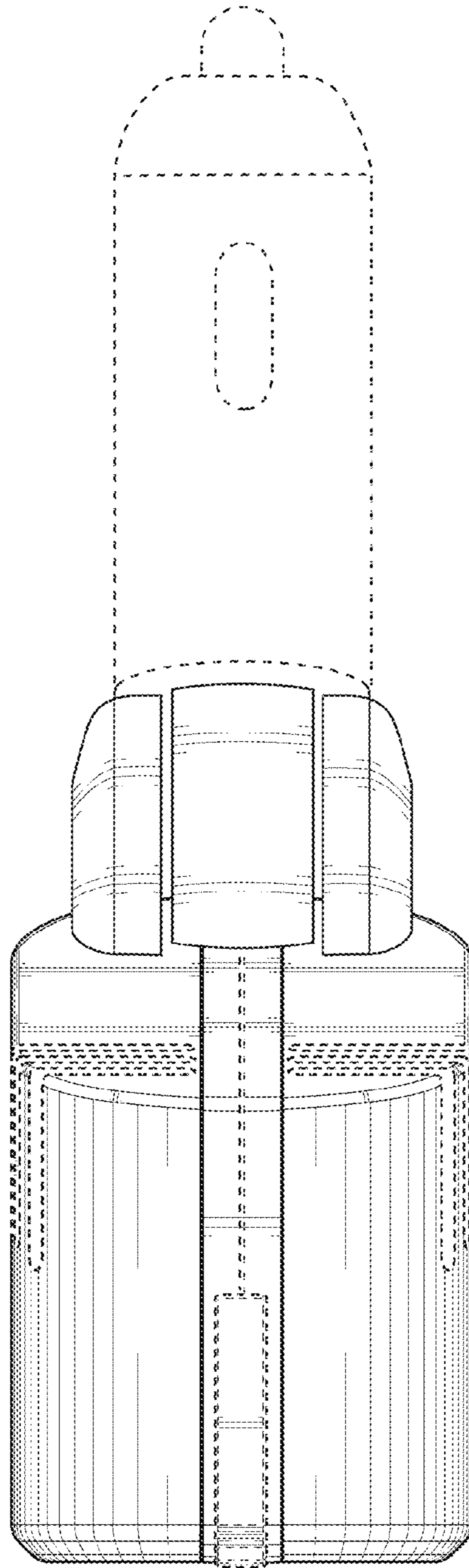


FIG. 5

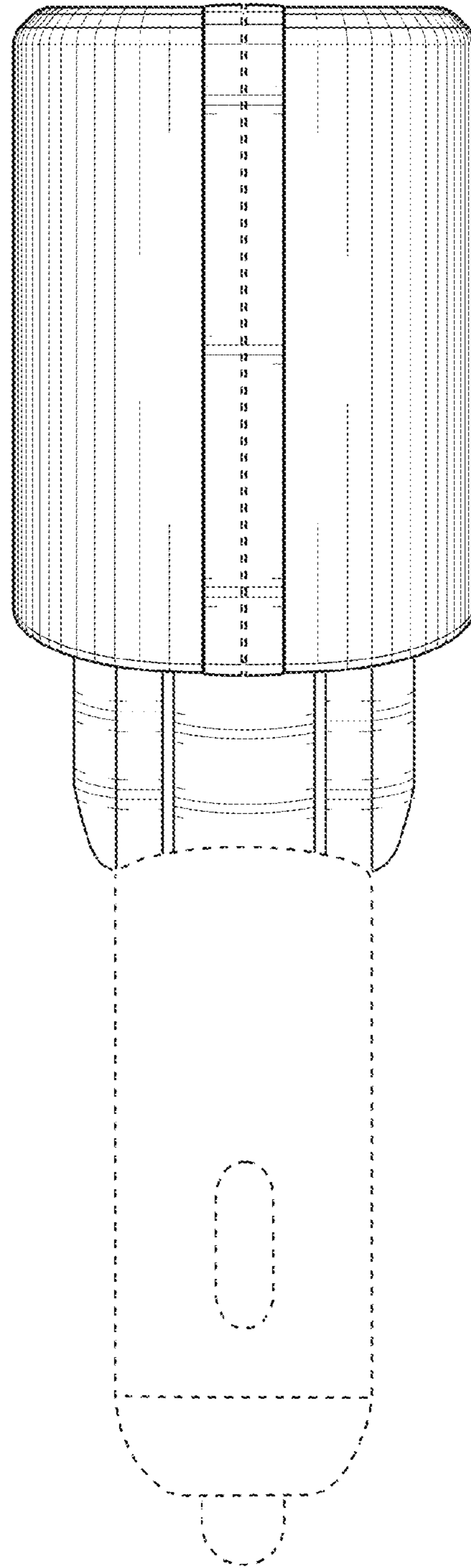


FIG. 6

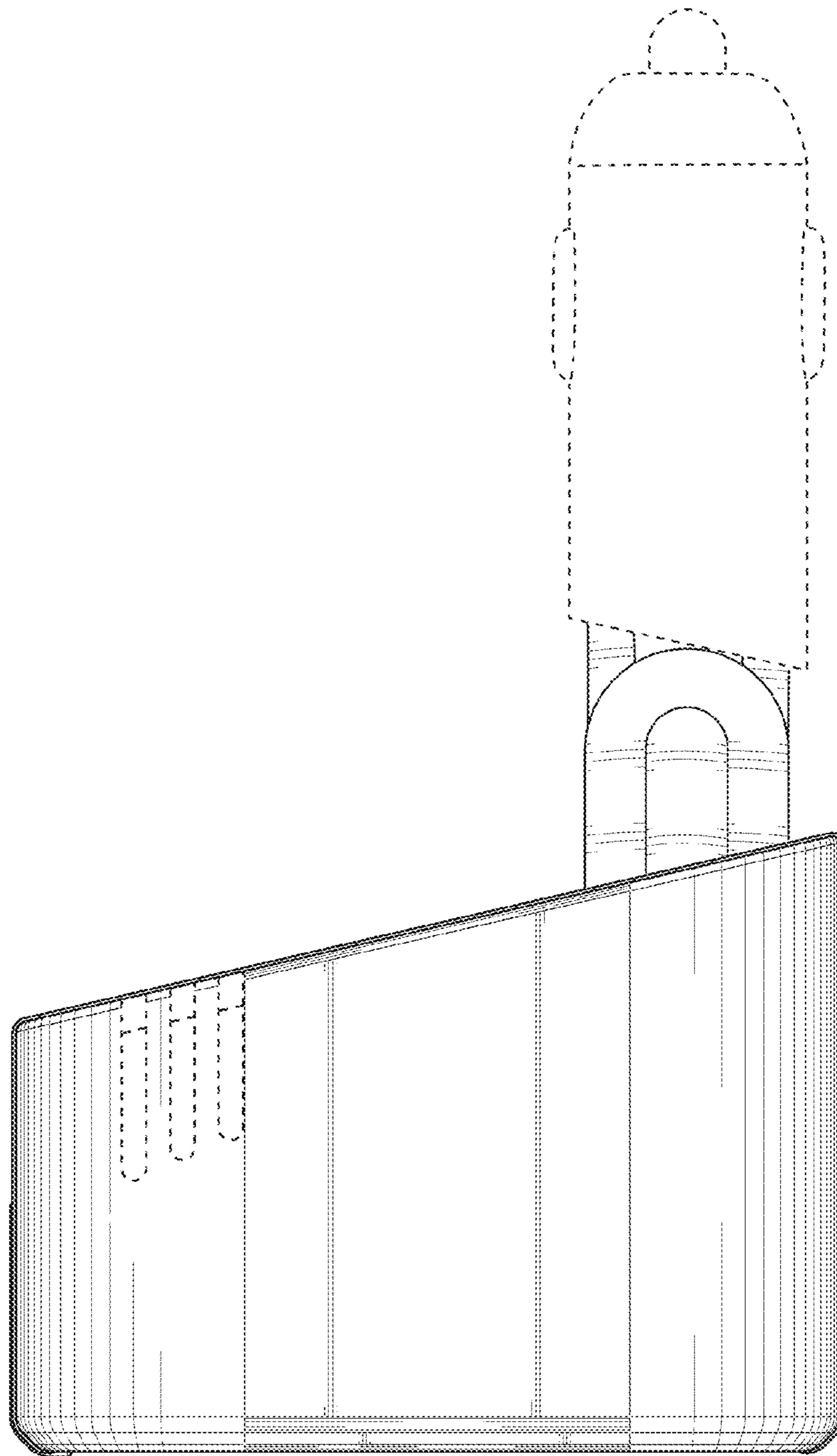


FIG. 7

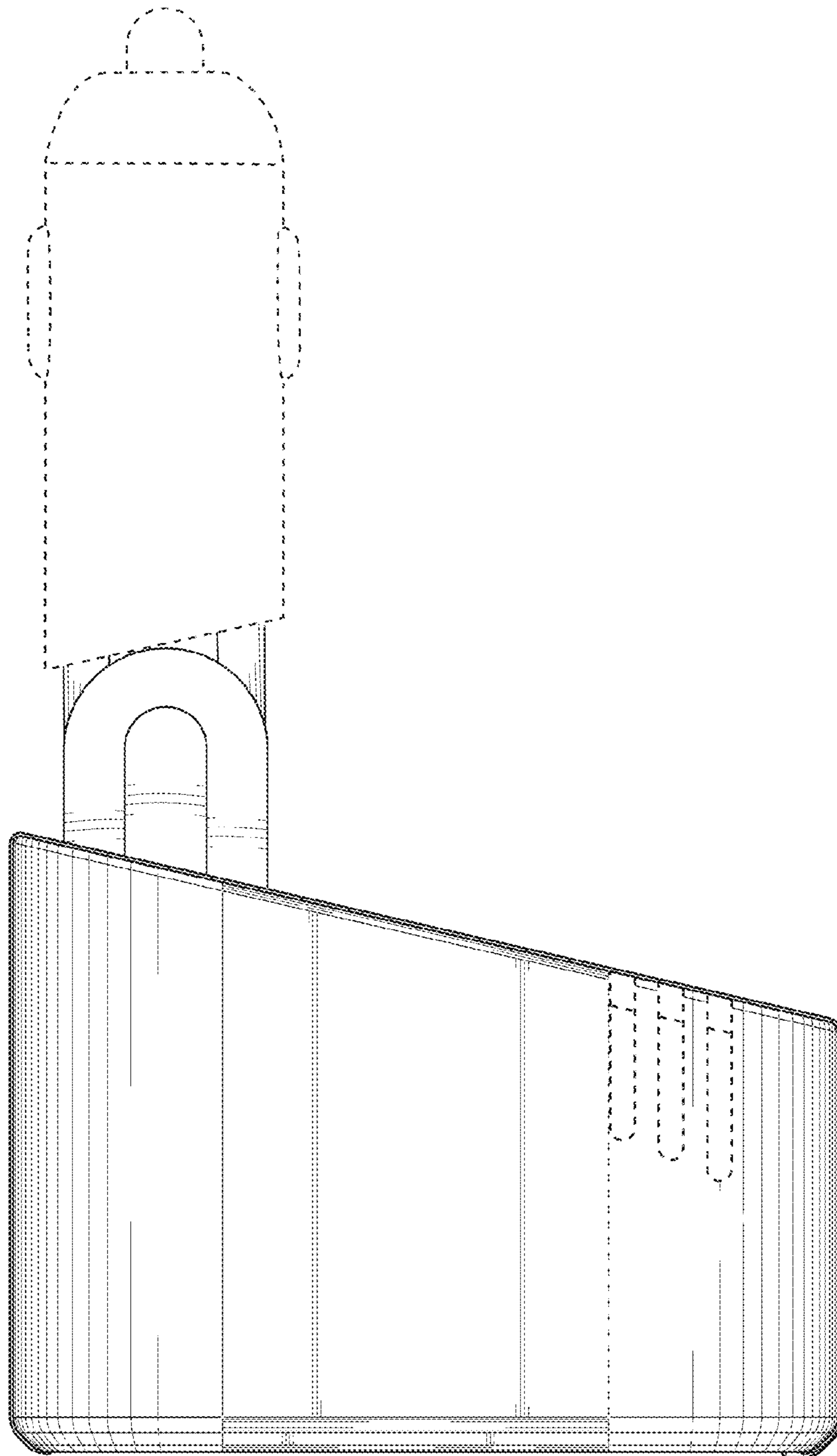


FIG. 8