

US00D764408S

(12) **United States Design Patent**
Spiegel

(10) **Patent No.:** **US D764,408 S**

(45) **Date of Patent:** **** Aug. 23, 2016**

(54) **CASING FOR ELECTRICAL DEVICES**

(71) Applicant: **Tridonic GmbH & Co KG**, Dornbirn (AT)

(72) Inventor: **Erich Spiegel**, Dornbirn (AT)

(73) Assignee: **TRIDONIC GMBH & CO KG**, Dornbirn (AT)

(**) Term: **14 Years**

(21) Appl. No.: **29/468,218**

(22) Filed: **Sep. 27, 2013**

(30) **Foreign Application Priority Data**

Mar. 28, 2013	(EP)	002211458-0001
Mar. 28, 2013	(EP)	002211458-0002
Mar. 28, 2013	(EP)	002211458-0003
Mar. 28, 2013	(EP)	002211458-0004
Mar. 28, 2013	(EP)	002211458-0005
Mar. 28, 2013	(EP)	002211458-0006
Mar. 28, 2013	(EP)	002211458-0007
Mar. 28, 2013	(EP)	002211458-0008

(51) **LOC (10) Cl.** **13-02**

(52) **U.S. Cl.**
USPC **D13/110**

(58) **Field of Classification Search**

USPC D13/103, 104, 105, 106, 110, 118, 119, D13/184, 199; 429/96, 98, 99, 100, 163, 429/176; 361/679.55, 679.56; D14/433, D14/434

CPC H01M 2/1022; H01M 2/204; H01M 2/0202; H01M 2/0434; H01M 2/0456; H01M 2/1005; H01M 2/1055; H01M 2/1066

See application file for complete search history.

(56) **References Cited**

U.S. PATENT DOCUMENTS

D314,747 S * 2/1991 Centola et al. D13/133
D356,291 S * 3/1995 Kawamura D13/110

(Continued)

Primary Examiner — Derrick Holland

Assistant Examiner — Jennifer O King

(74) *Attorney, Agent, or Firm* — Seyfarth Shaw LLP; Brian Michaelis

(57) **CLAIM**

The ornamental design for a casing for electrical devices, as shown and described.

DESCRIPTION

FIG. 1 shows a front elevation view of a first embodiment of a casing for electrical devices;

FIG. 2 shows a back elevation view thereof;

FIG. 3 shows a bottom plan view thereof;

FIG. 4 shows a top plan view thereof;

FIG. 5 shows a side elevation view thereof; and,

FIG. 6 shows a perspective view thereof.

FIG. 7 shows a front elevation view of a second embodiment of a casing for electrical devices;

FIG. 8 shows a back elevation view thereof;

FIG. 9 shows a bottom plan view thereof;

FIG. 10 shows a top plan view thereof;

FIG. 11 shows a side elevation view thereof; and

FIG. 12 shows a perspective view thereof.

FIG. 13 shows a front elevation view of a third embodiment a casing for electrical devices;

FIG. 14 shows a back elevation view thereof;

FIG. 15 shows a bottom plan view thereof;

FIG. 16 shows a top plan view thereof;

FIG. 17 shows a side elevation view thereof; and,

FIG. 18 shows a perspective view thereof.

FIG. 19 shows a front elevation view of a fourth embodiment of a casing for electrical devices;

FIG. 20 shows a back elevation view thereof;

FIG. 21 shows a bottom plan view thereof;

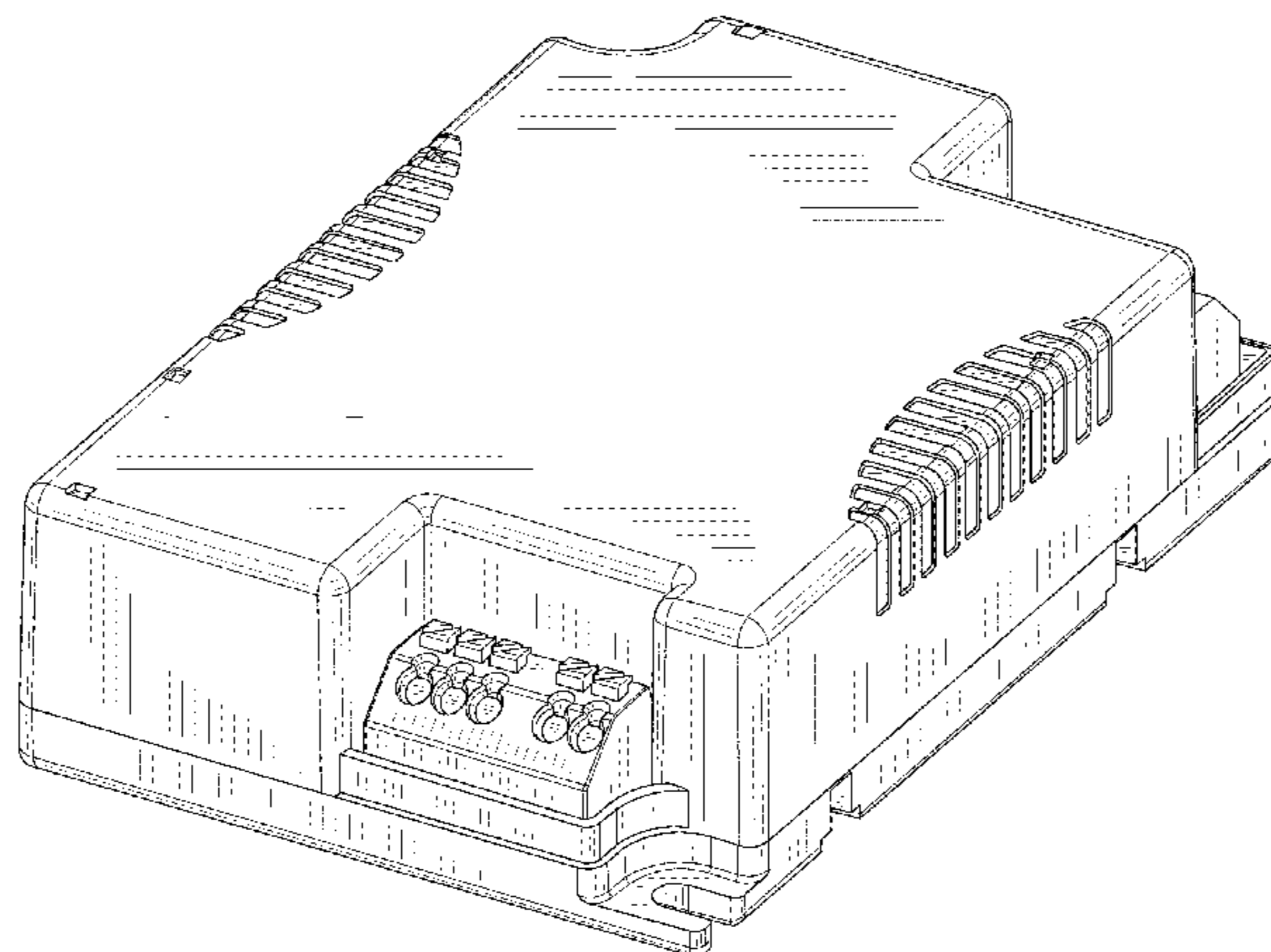
FIG. 22 shows a top plan view thereof;

FIG. 23 shows a side elevation view thereof; and,

FIG. 24 shows a perspective view thereof.

Opposite side views not shown are merely mirror images of the side view shown for each embodiment.

1 Claim, 24 Drawing Sheets



(56)

References Cited

U.S. PATENT DOCUMENTS

D361,310 S *	8/1995	Kawamura	D13/110	D494,940 S *	8/2004	Fiocchi	D13/184
D362,839 S *	10/1995	Tamaki	D13/110	D499,074 S *	11/2004	Cook et al.	D13/179
D369,778 S *	5/1996	Tamaki	D13/110	D503,678 S *	4/2005	Ho	D13/110
D377,339 S *	1/1997	Beruscha et al.	D13/184	D508,892 S *	8/2005	Schlieffers et al.	D13/103
D380,199 S *	6/1997	Beruscha et al.	D13/184	D536,675 S *	2/2007	Millar et al.	D13/184
D404,018 S *	1/1999	Tucker et al.	D13/184	D548,181 S *	8/2007	Krieger et al.	D13/110
5,945,235 A *	8/1999	Clanton et al.	429/98	D550,172 S *	9/2007	Aguilar	D13/184
D455,723 S *	4/2002	Vackar	D13/184	7,269,001 B2 *	9/2007	Huang	361/679.55
D460,424 S *	7/2002	Zhao	D13/184	D583,320 S *	12/2008	Miyamoto et al.	D13/133
					D669,427 S *	10/2012	Ignor et al.	D13/103
					D671,512 S *	11/2012	Bush et al.	D13/184
					D672,310 S *	12/2012	Scharf et al.	D13/110

* cited by examiner

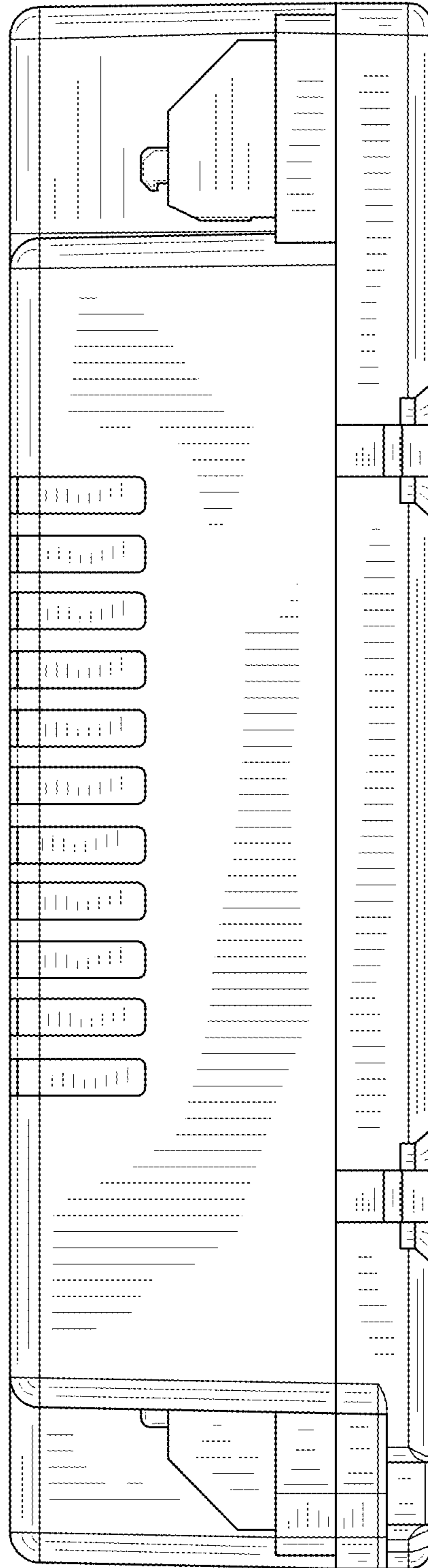


FIG. 1

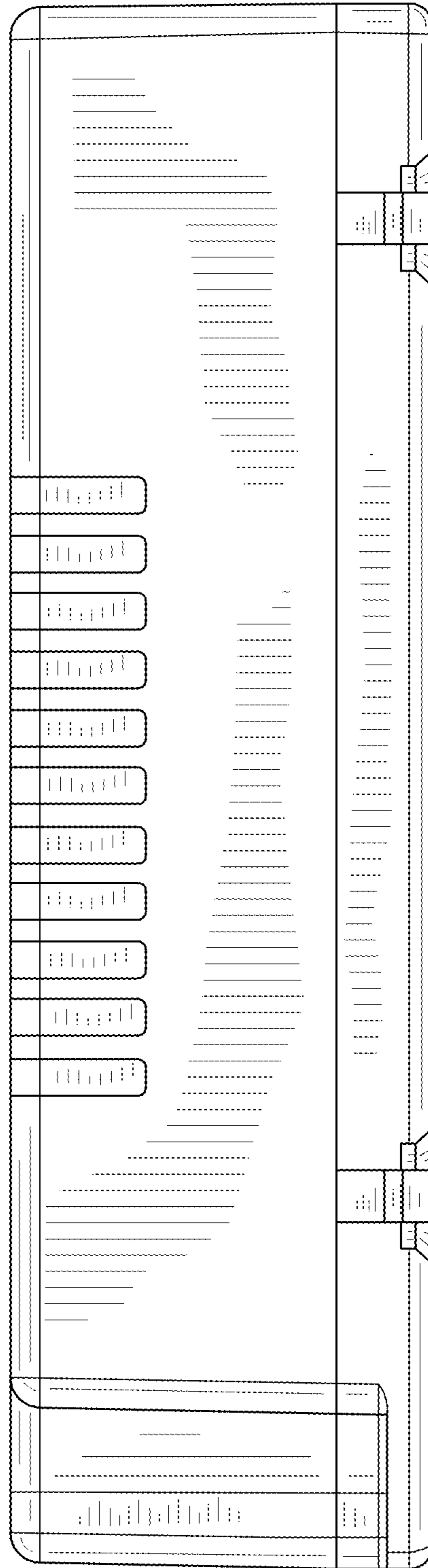


FIG. 2

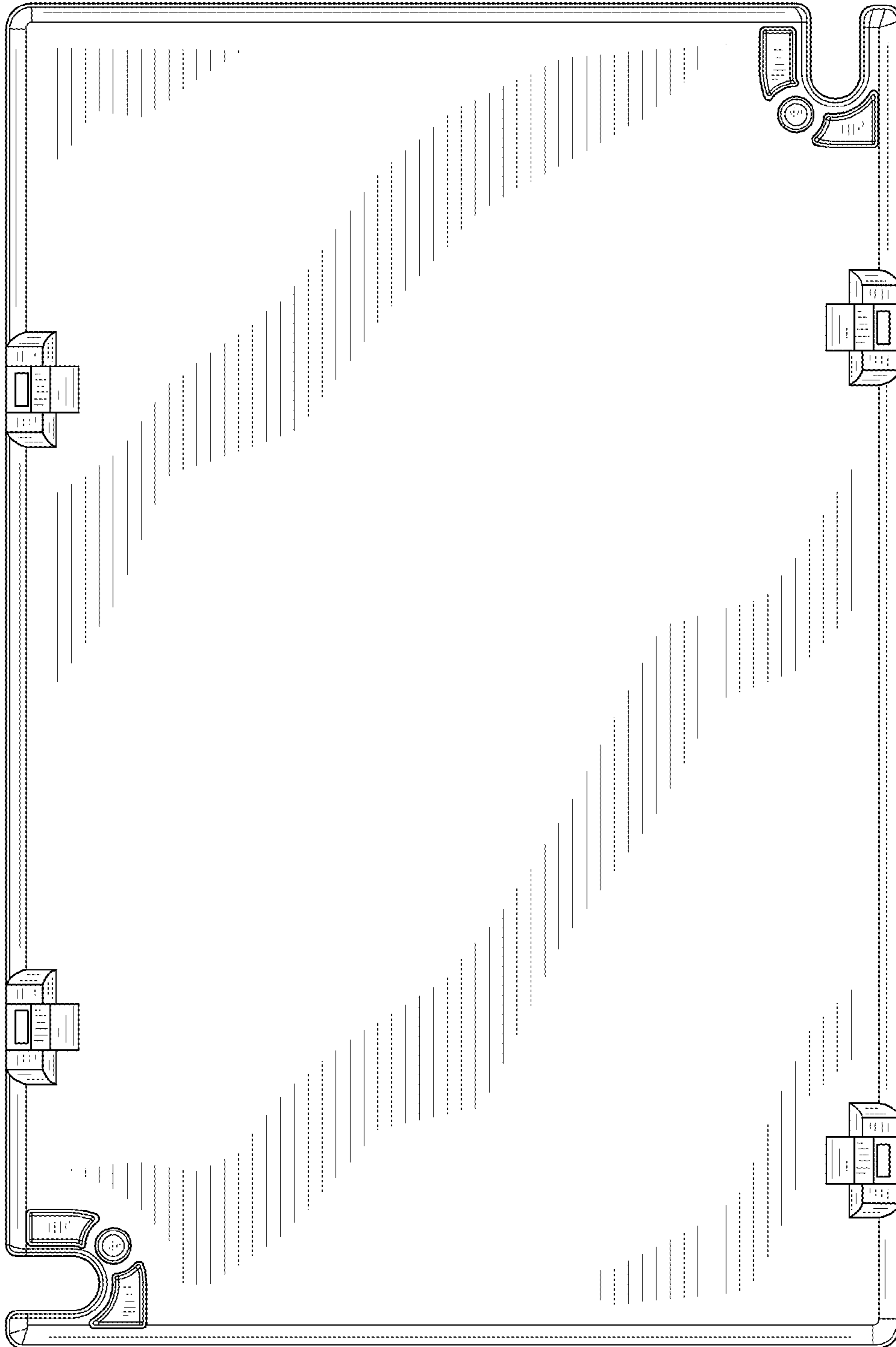


FIG. 3

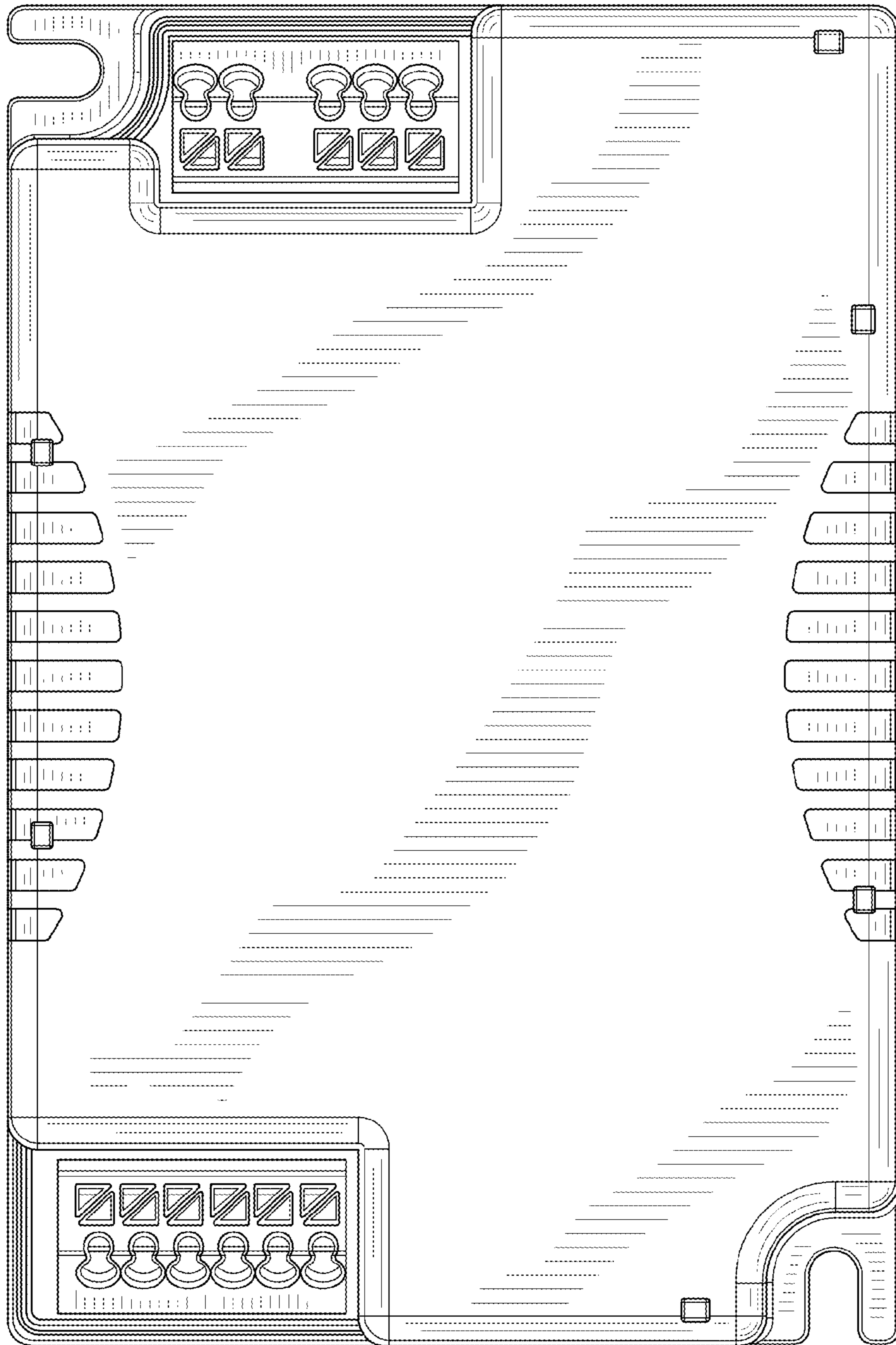


FIG. 4

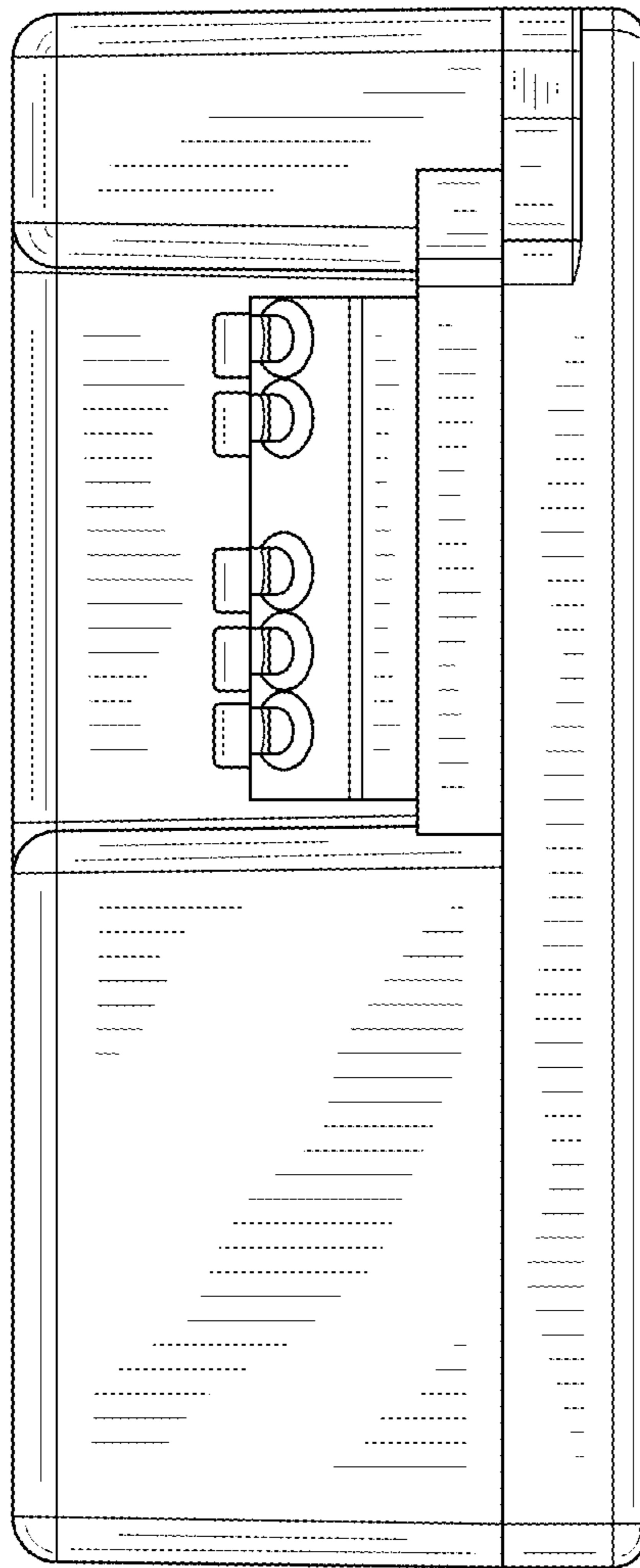


FIG. 5

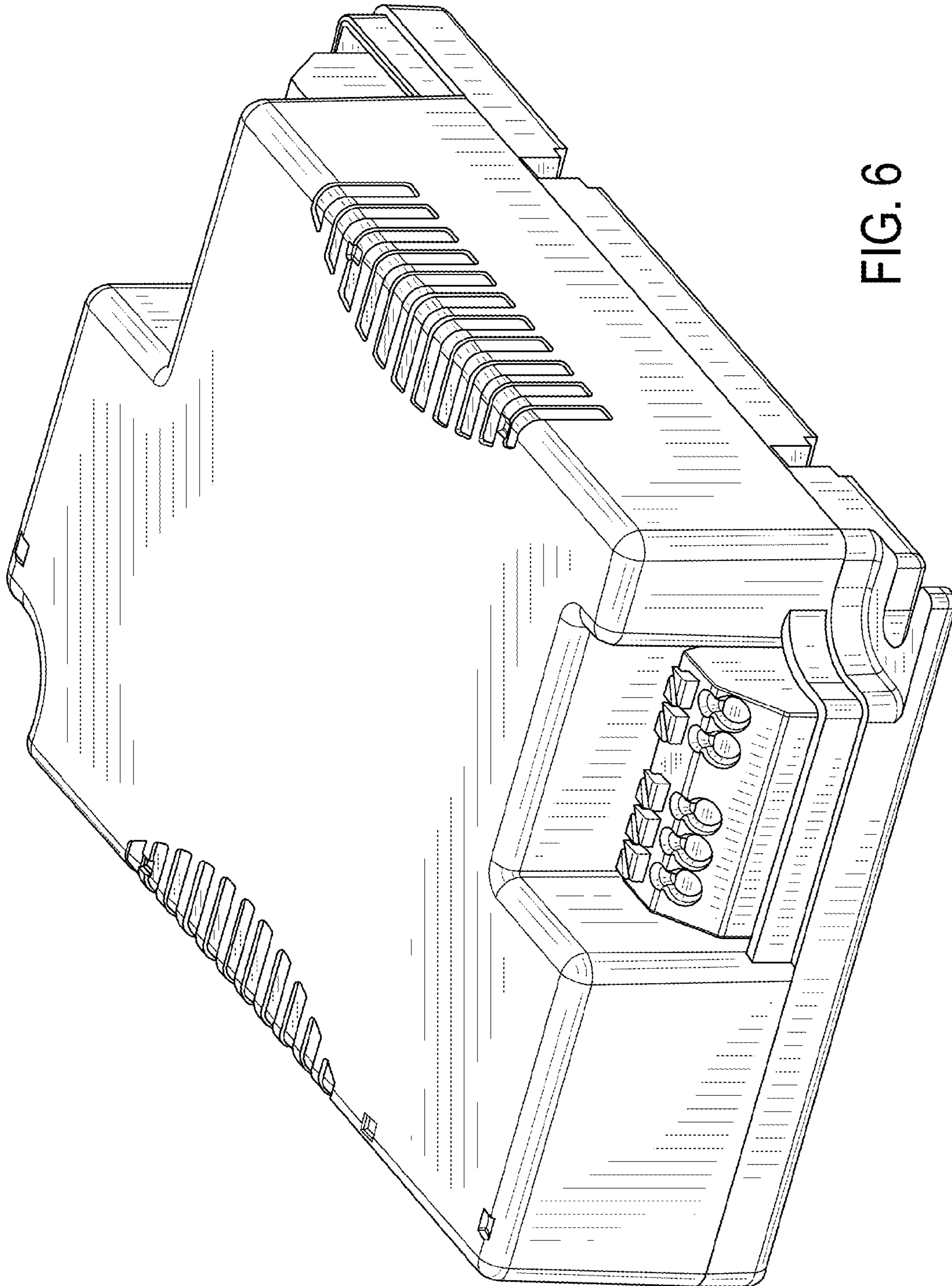


FIG. 6

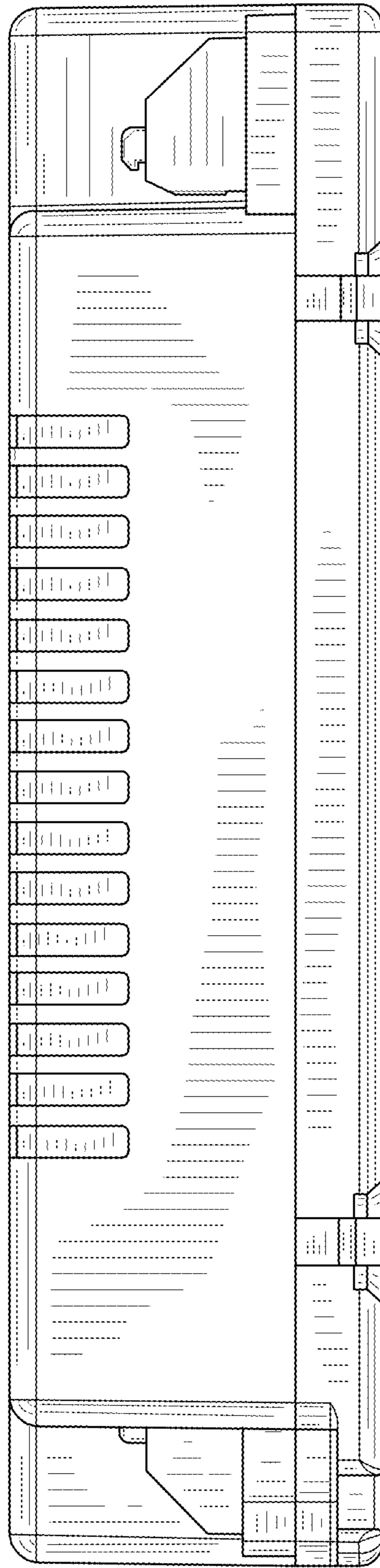


FIG. 7

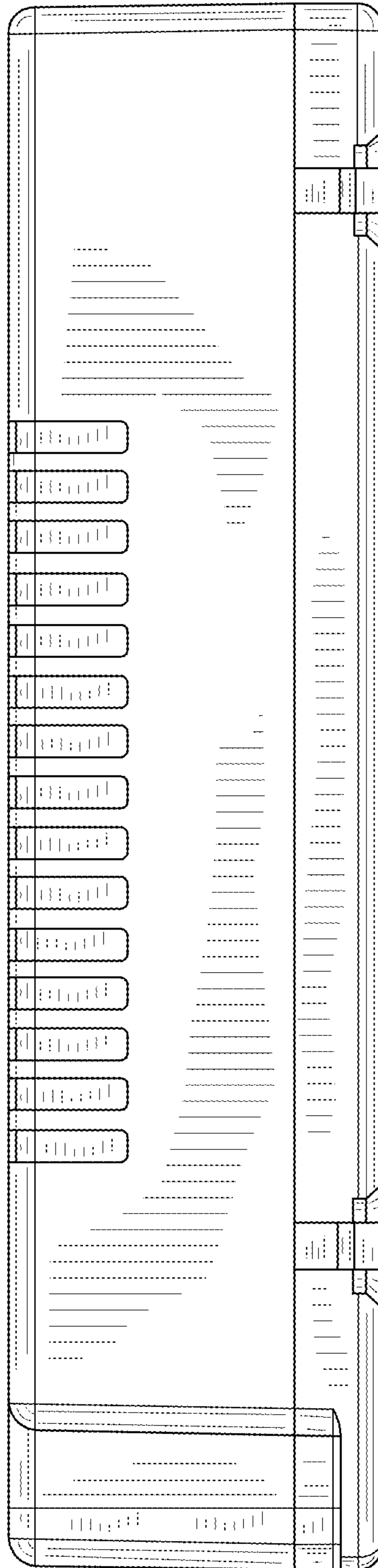


FIG. 8

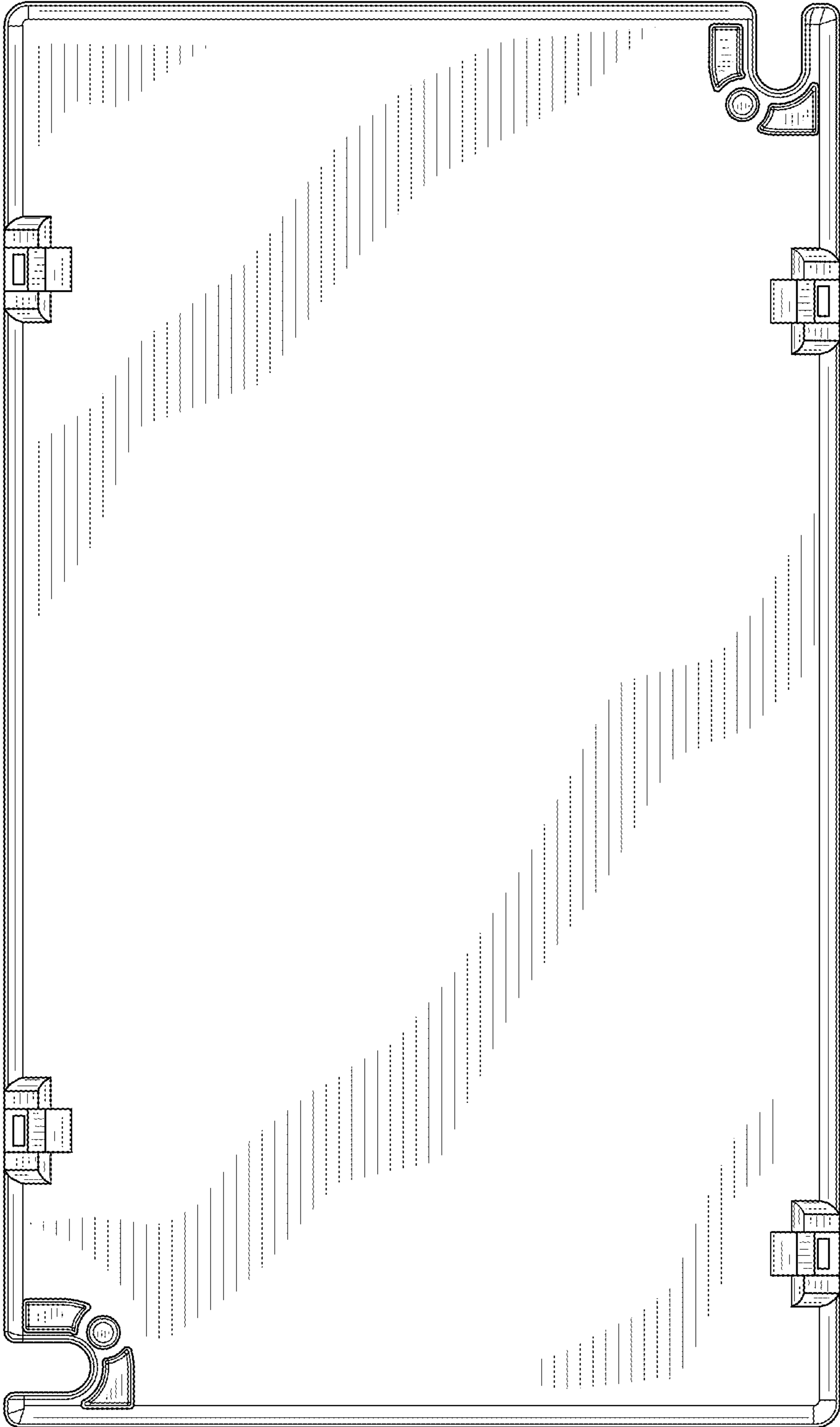


FIG. 9

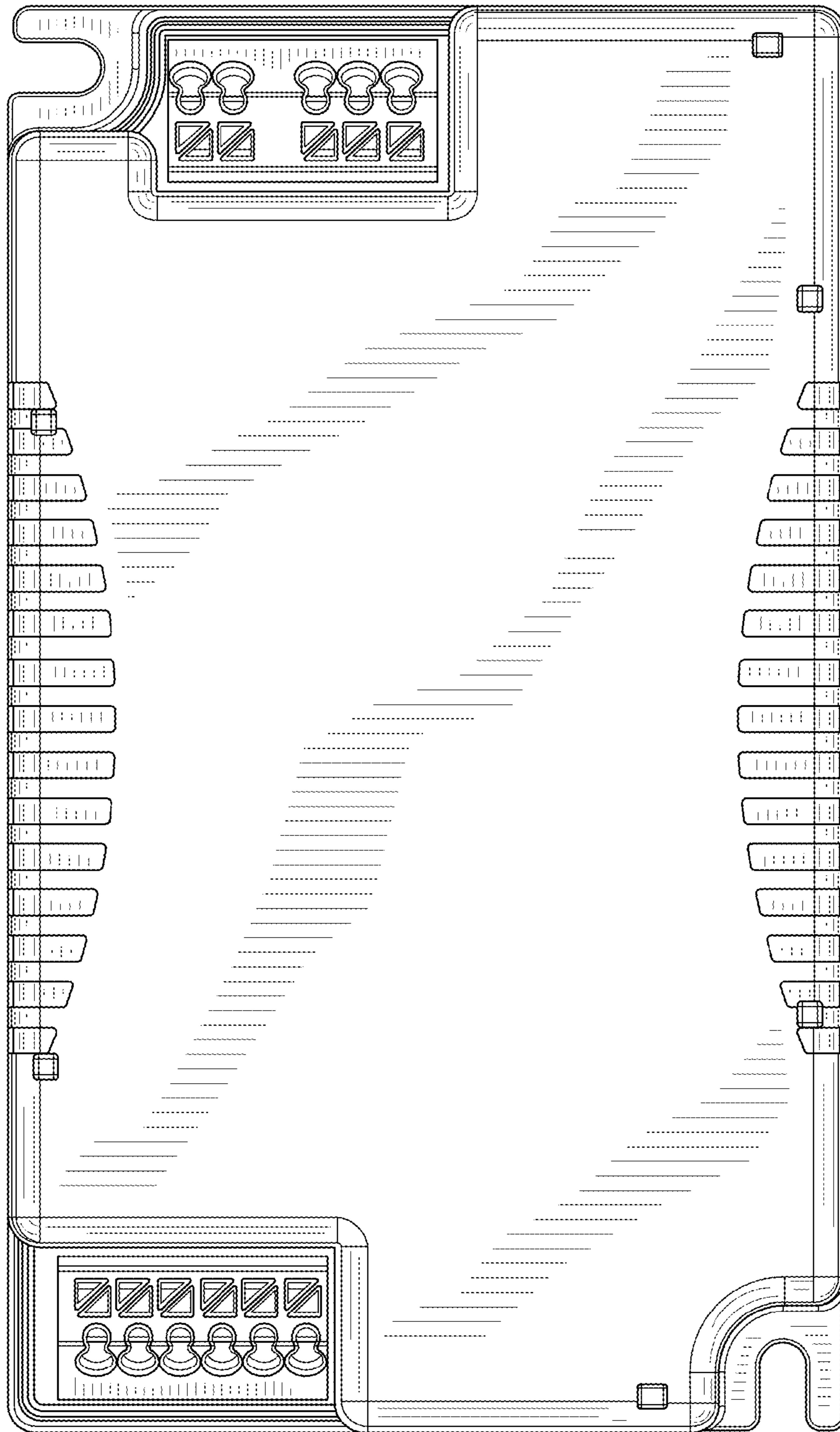


FIG. 10

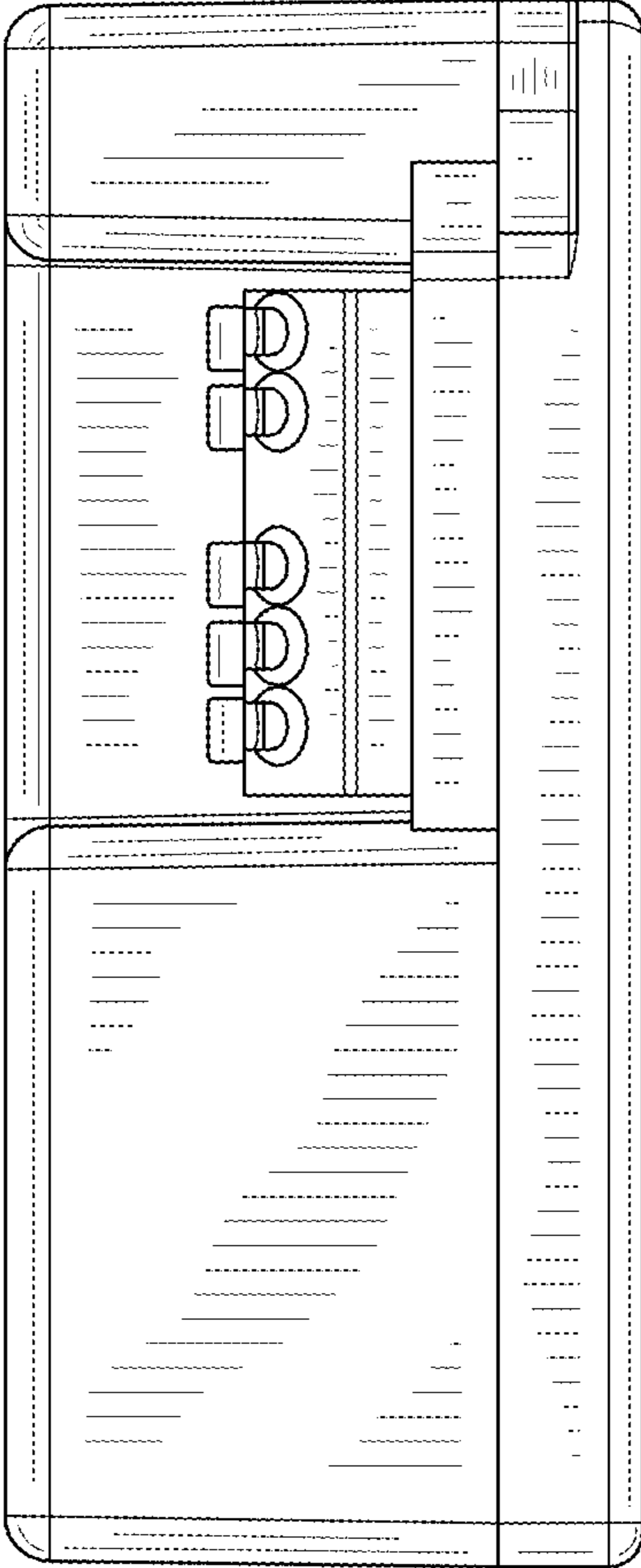


FIG. 11

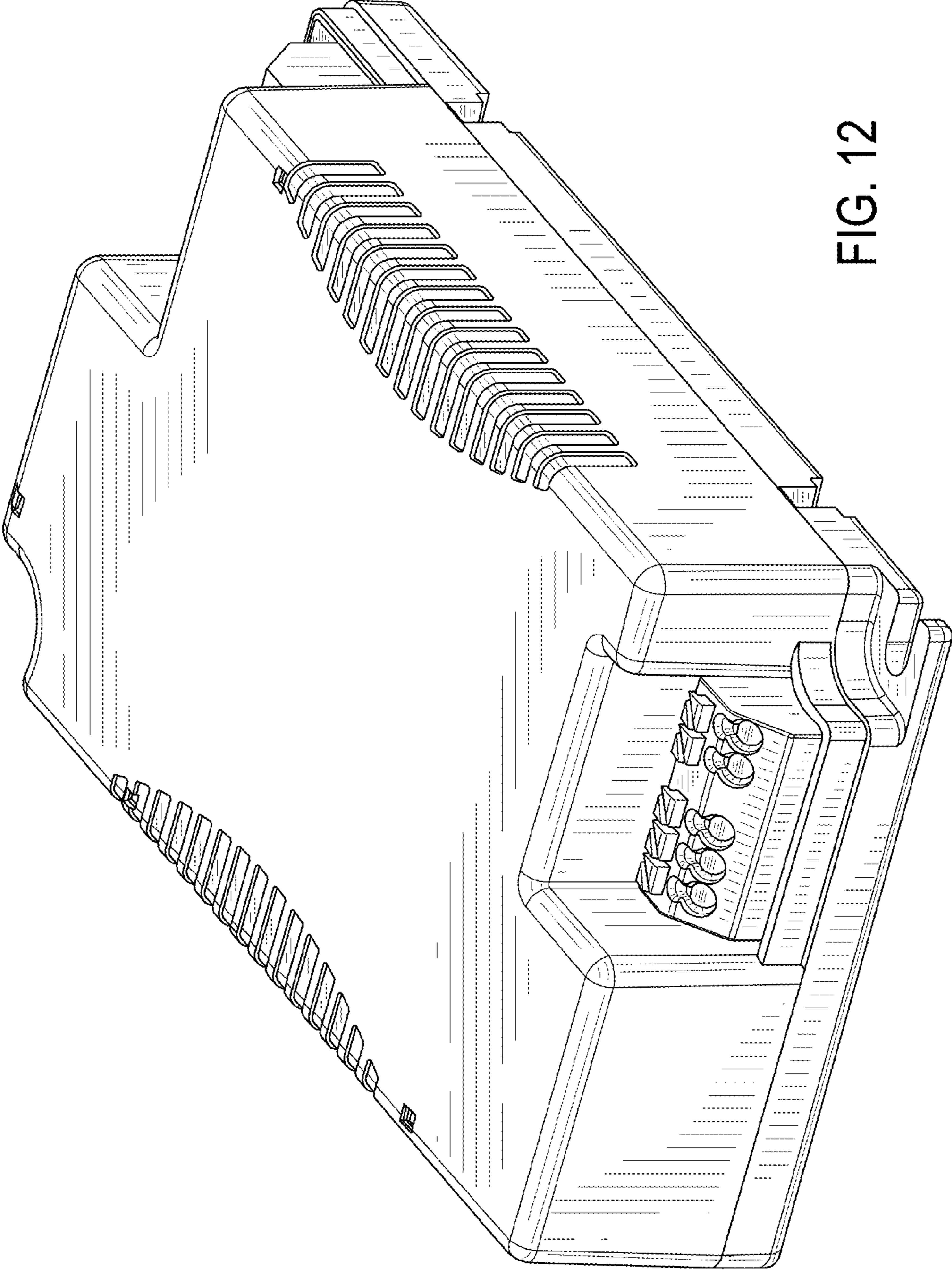


FIG. 12

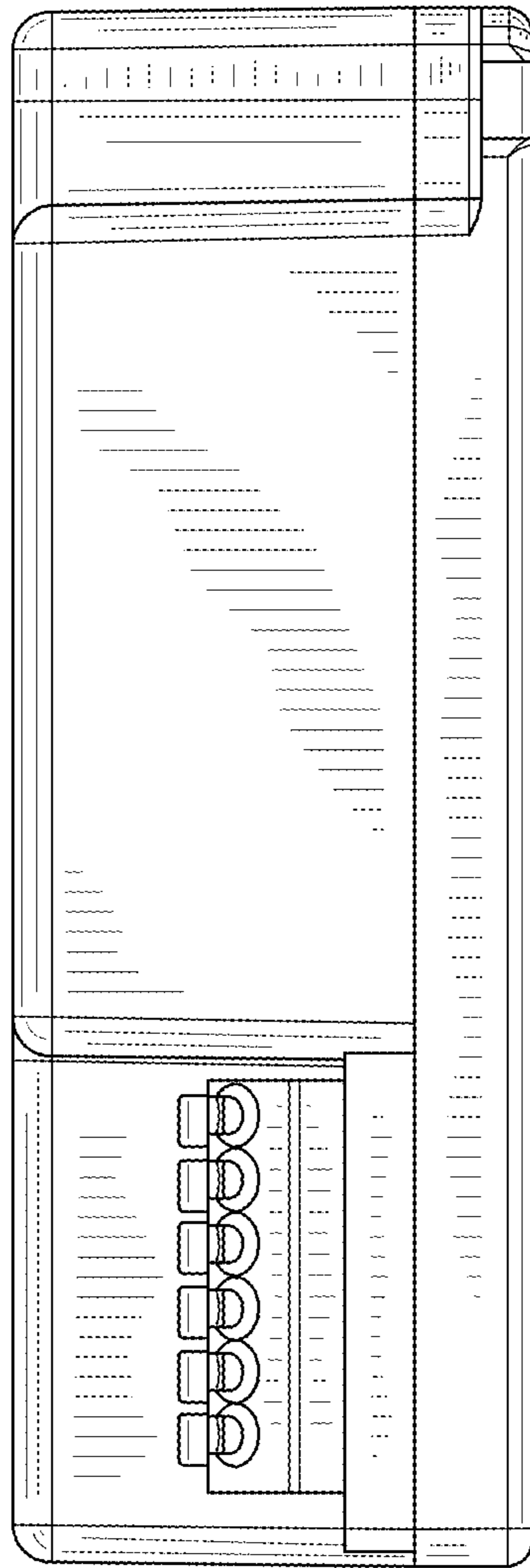


FIG. 13

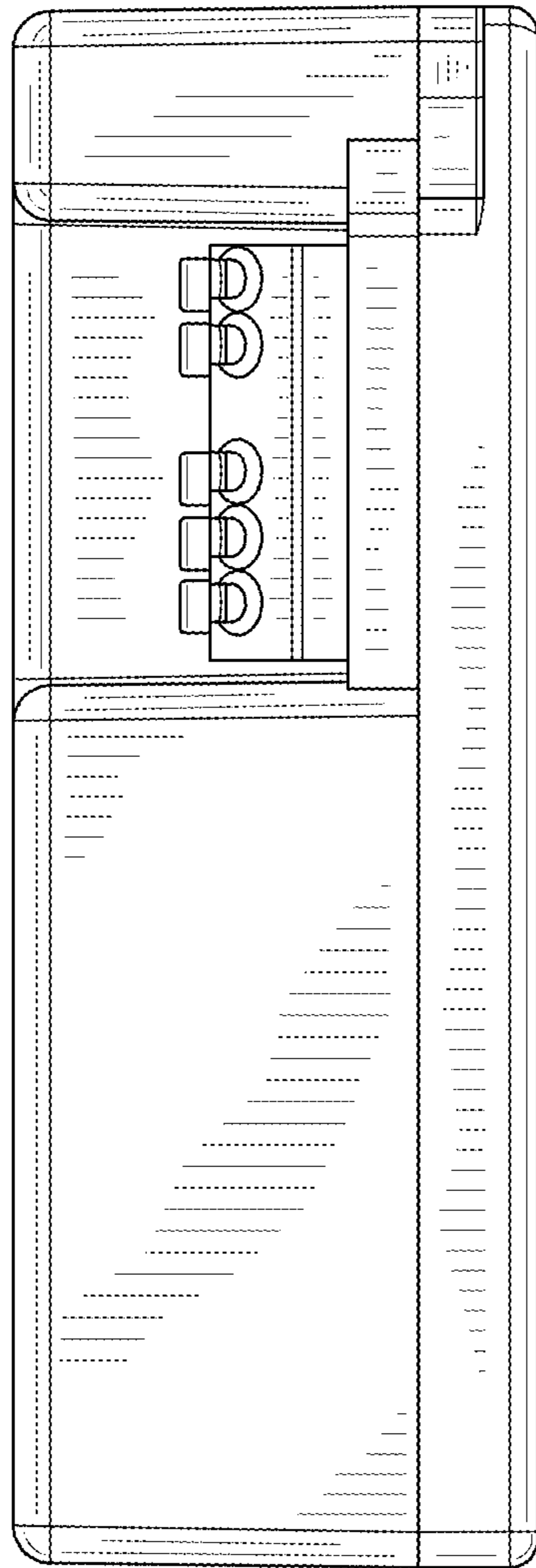


FIG. 14

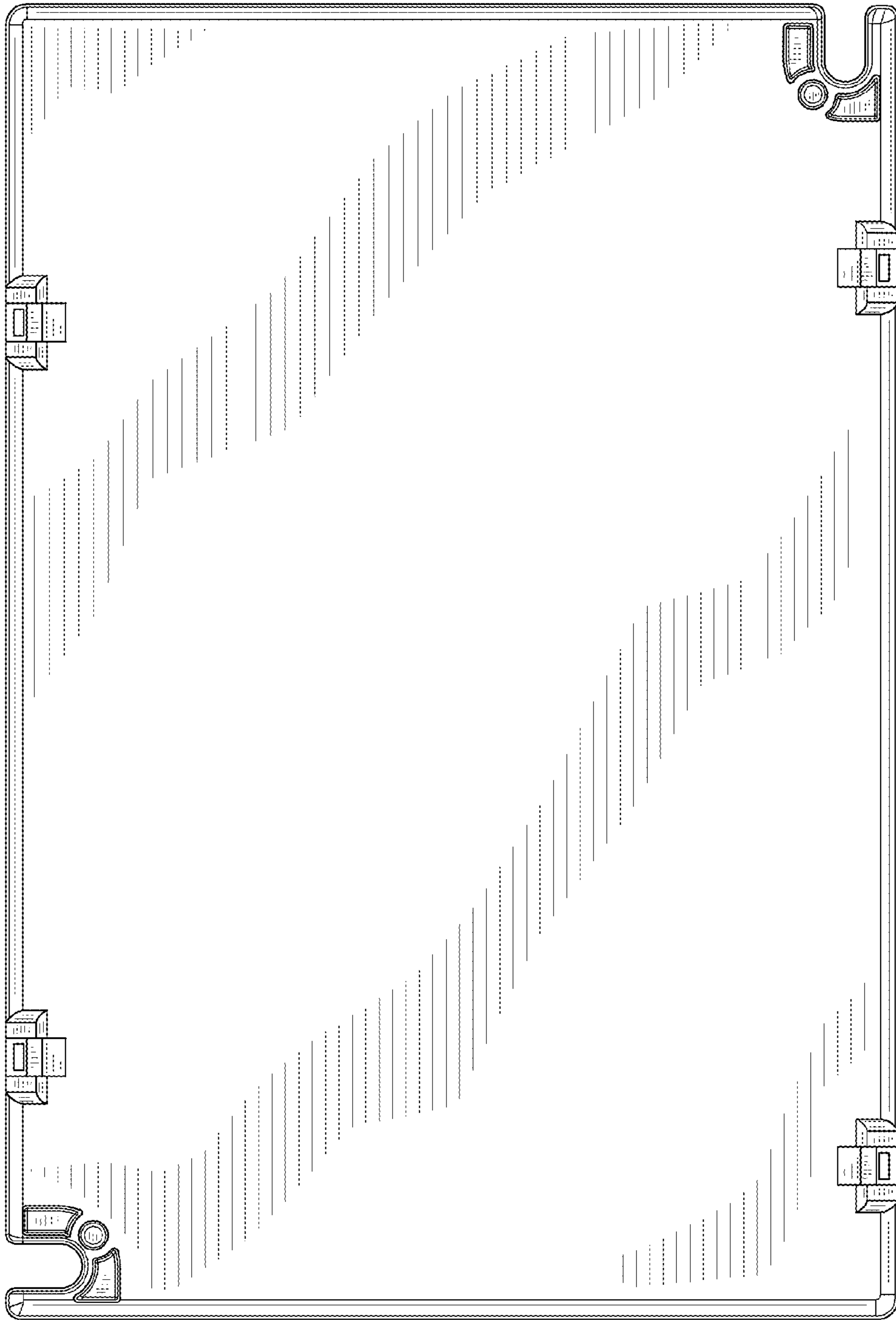


FIG. 15

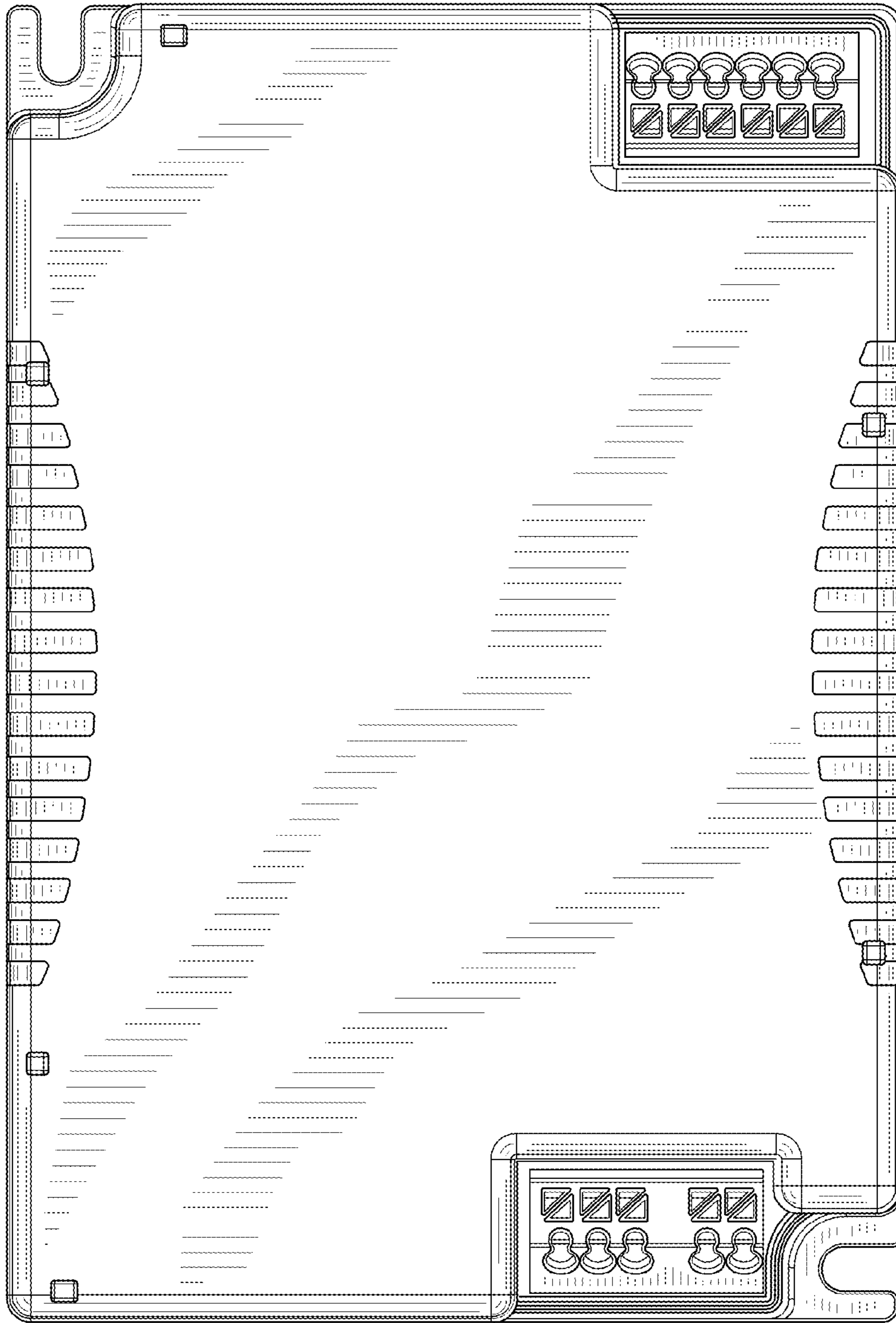


FIG. 16

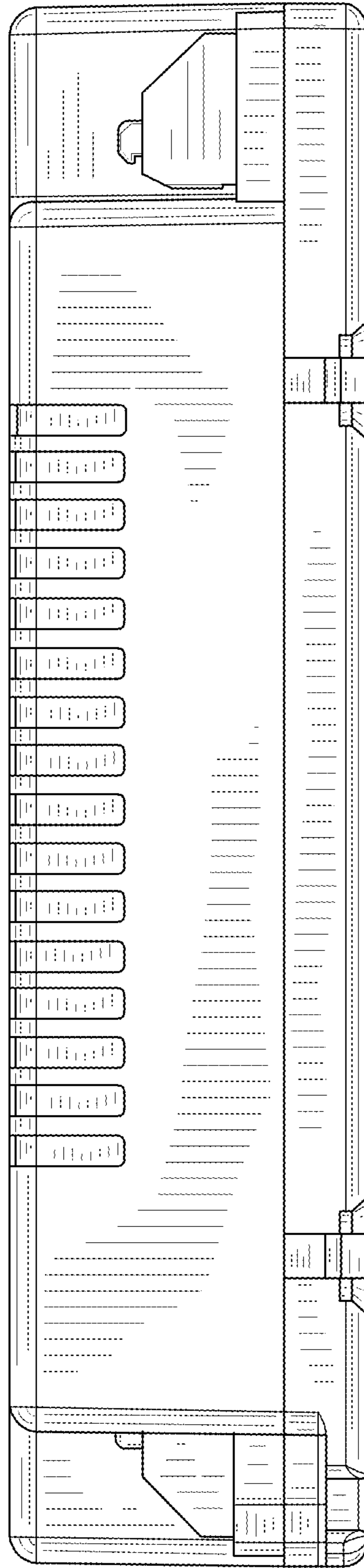


FIG. 17

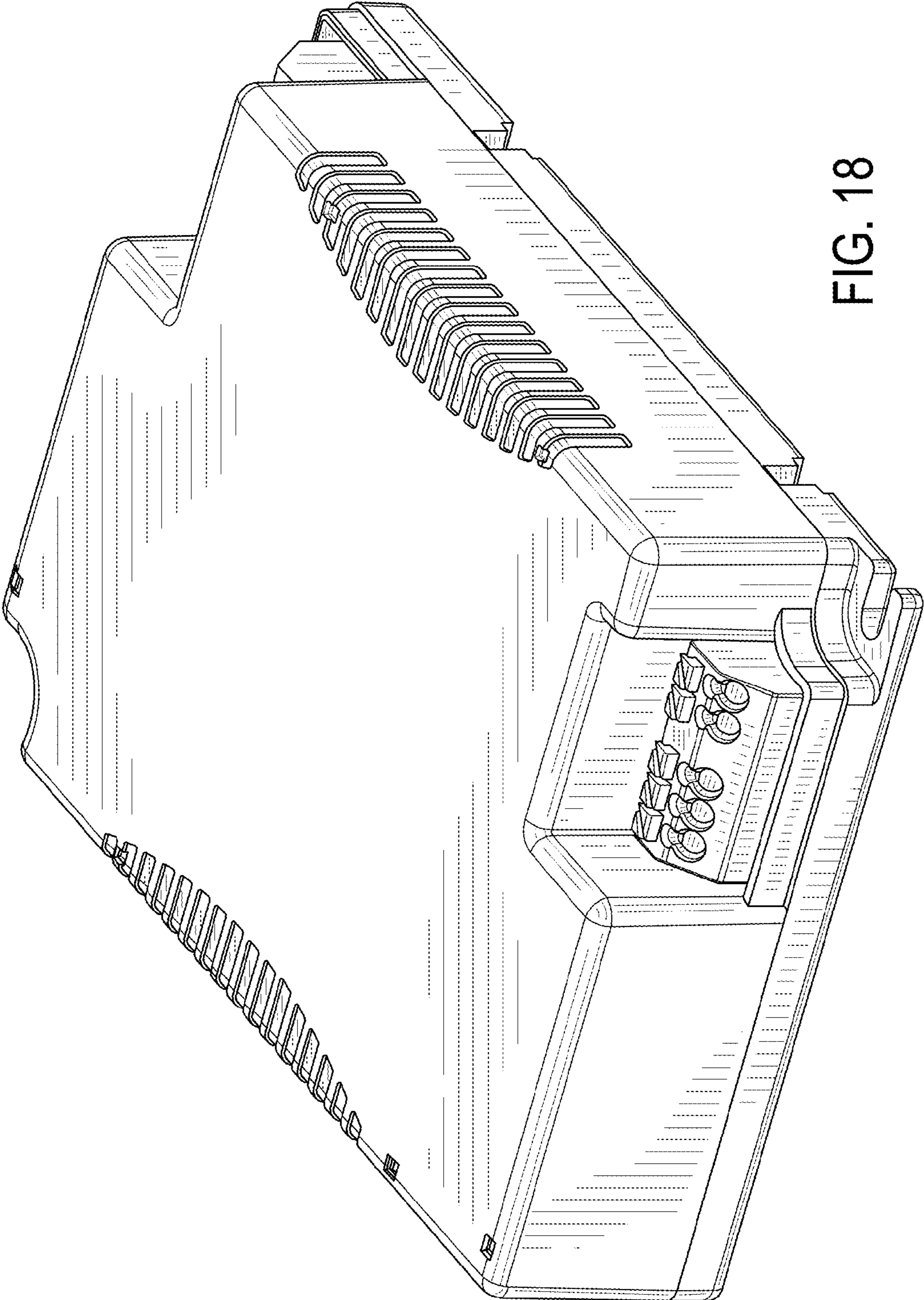


FIG. 18

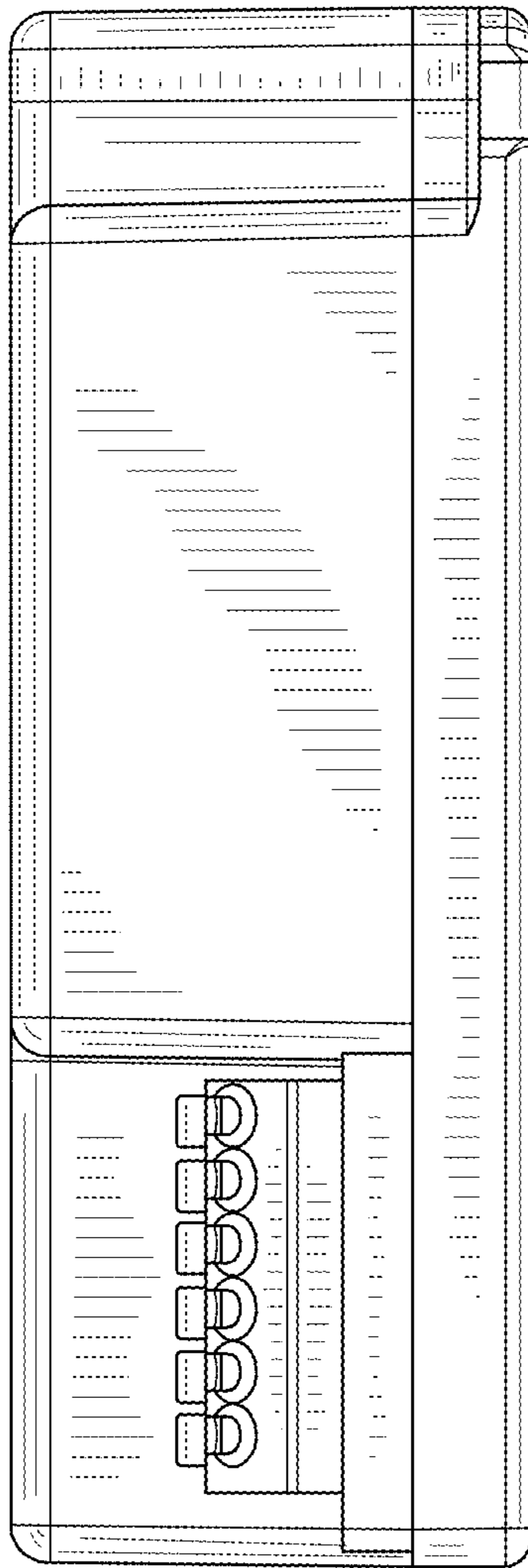


FIG. 19

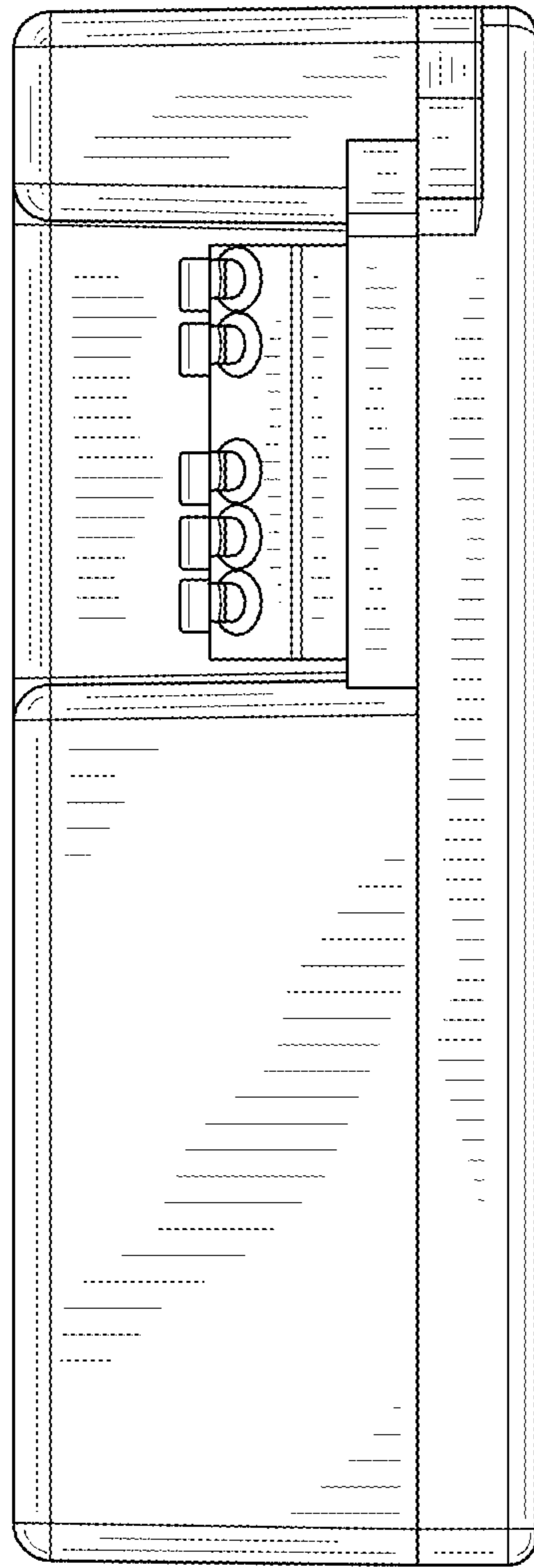


FIG. 20

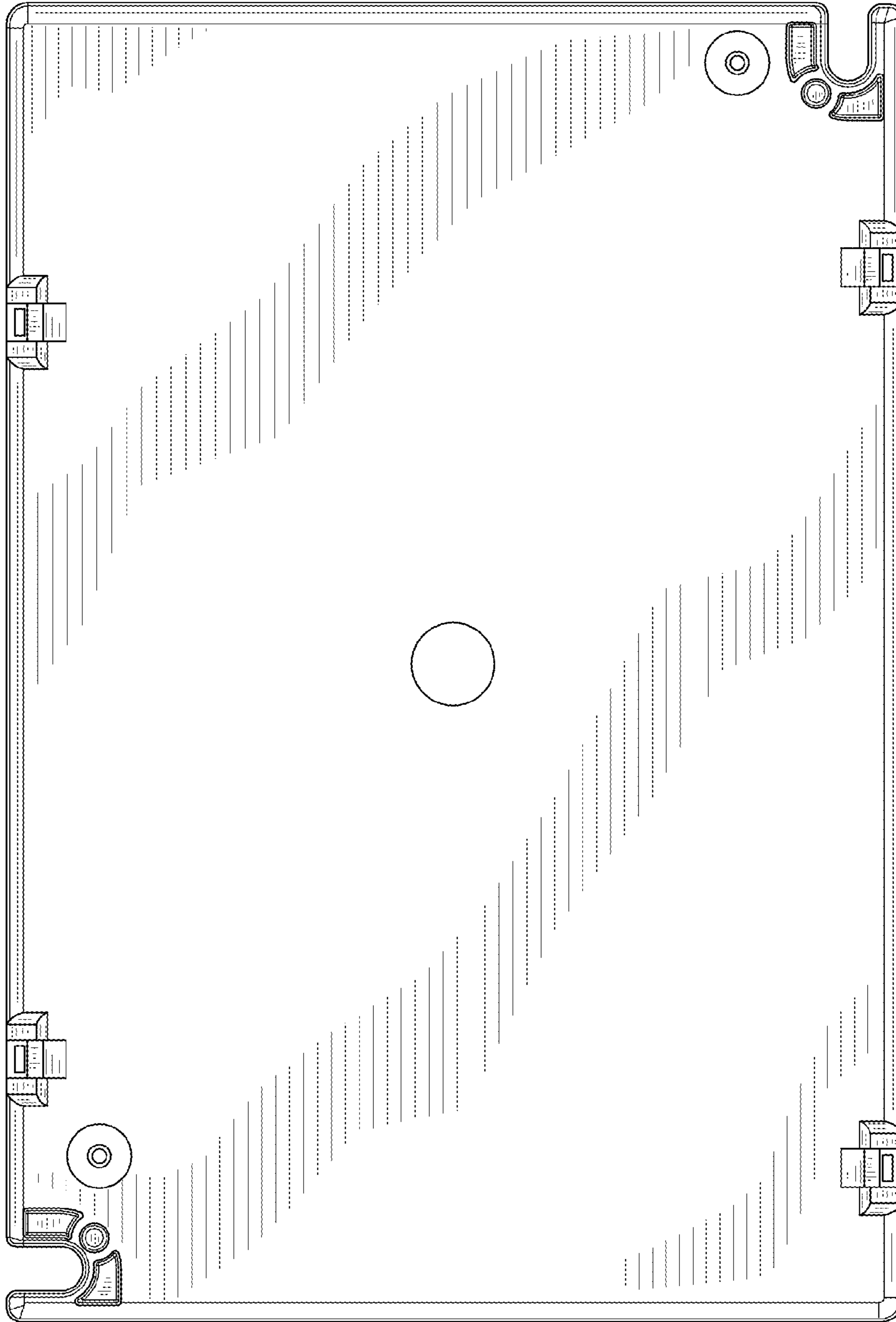


FIG. 21



FIG. 22

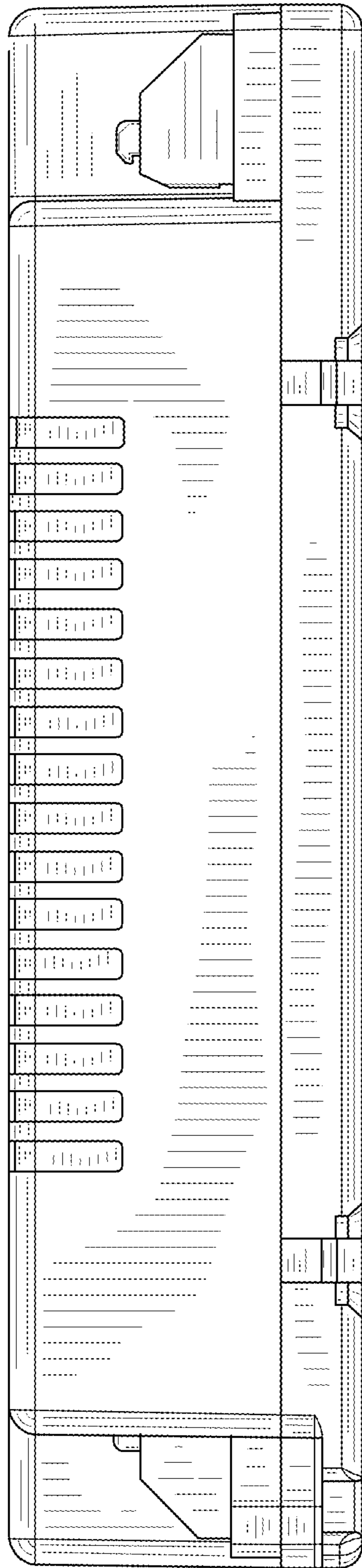


FIG. 23

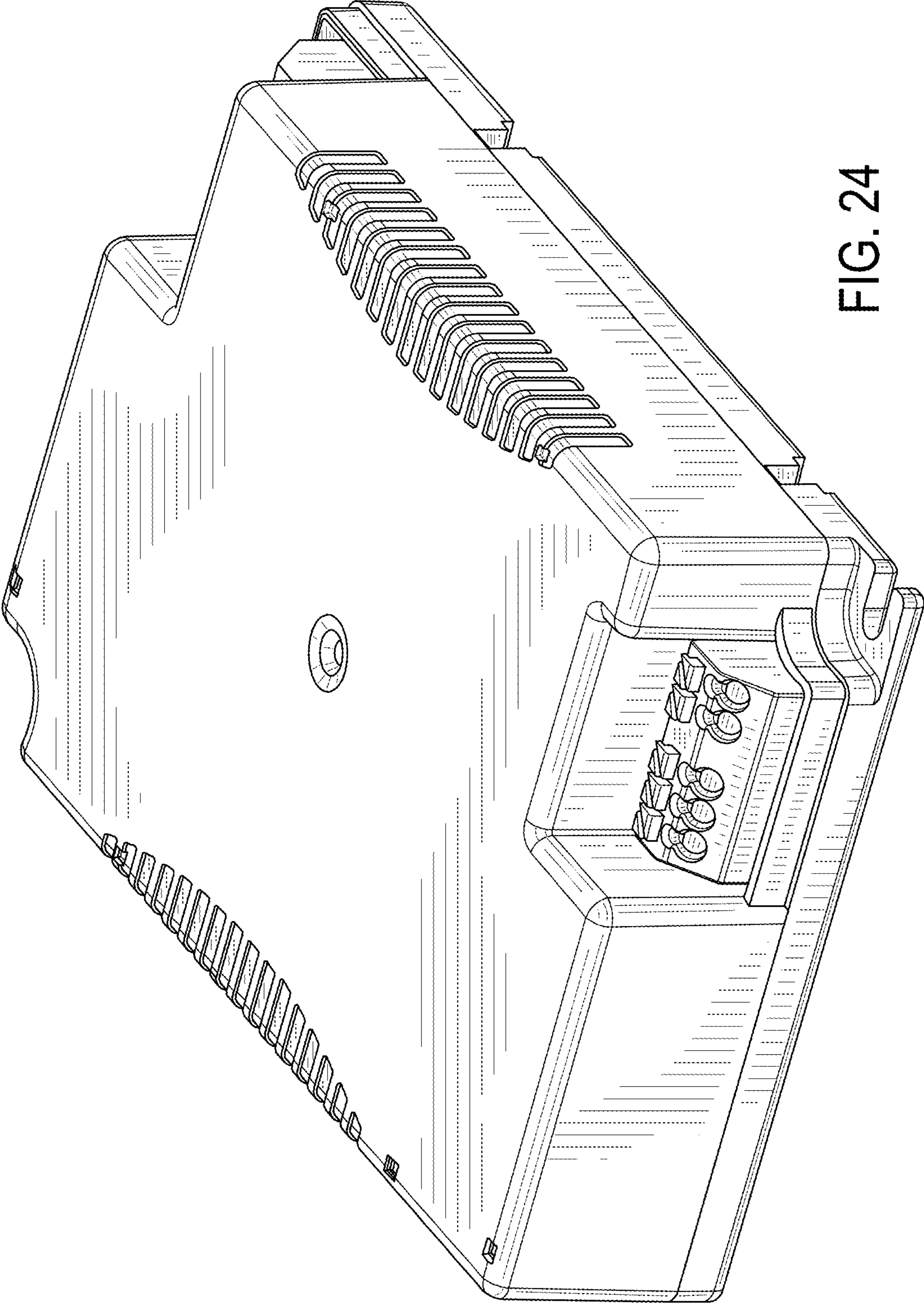


FIG. 24