



US00D764406S

(12) **United States Design Patent**
Uchida

(10) **Patent No.:** **US D764,406 S**

(45) **Date of Patent:** **** Aug. 23, 2016**

(54) **ELECTRIC TOOTHBRUSH CHARGER**

(71) Applicant: **Panasonic Intellectual Property Management Co., Ltd., Osaka (JP)**

(72) Inventor: **Ryota Uchida, Shiga (JP)**

(73) Assignee: **Panasonic Intellectual Property Management Co., Ltd., Osaka (JP)**

(**) Term: **15 Years**

(21) Appl. No.: **29/527,631**

(22) Filed: **May 20, 2015**

(30) **Foreign Application Priority Data**

Mar. 16, 2015 (JP) 2015-005574

(51) **LOC (10) Cl.** **13-02**

(52) **U.S. Cl.**
USPC **D13/108**

(58) **Field of Classification Search**
USPC D13/107-110, 118-119, 184; D14/251, D14/253, 432, 434
CPC Y02E 60/12; Y02T 90/14; Y02T 90/122; Y02T 90/128; Y02T 90/163; H02J 7/025; H02J 7/0042; H02J 7/0044; H02J 7/0045; H02J 7/0003; H01F 38/14; H01R 13/6675; H01M 2/1022; H01M 2/1055; H01M 10/44; H01M 10/46; H01M 10/425; B60L 11/182
See application file for complete search history.

(56) **References Cited**

U.S. PATENT DOCUMENTS

D197,208 S * 12/1963 Cassidy et al. D13/108
D415,917 S * 11/1999 Salazar D6/534
D475,346 S * 6/2003 McCurrach D13/108
D493,136 S * 7/2004 Since D13/103
D501,191 S * 1/2005 Siebke D13/108
D508,019 S * 8/2005 Lamason D13/108

D524,730 S * 7/2006 Vu D13/108
D541,215 S * 4/2007 Vu D13/108
D572,188 S * 7/2008 Prat-Pfister D13/108
D628,001 S * 11/2010 McGarry D6/534
D664,141 S * 7/2012 Haymond D14/253
D669,028 S * 10/2012 Ino D13/108
D722,292 S * 2/2015 De Klein D13/108

FOREIGN PATENT DOCUMENTS

EM 002274449-0003 3/2014
JP D951035 4/1996
JP D968761 11/1996
JP D951035/1 3/1997
JP D1122505 10/2001

* cited by examiner

Primary Examiner — Rosemary K Tarcza

Assistant Examiner — Nathaniel D Buckner

(74) *Attorney, Agent, or Firm* — Panasonic IP Management; Kerry S. Culpepper

(57) **CLAIM**

I claim the ornamental design for an electric toothbrush charger, as shown and described.

DESCRIPTION

FIG. 1 is a front perspective view of an electric toothbrush charger of the present invention;
FIG. 2 is a front view thereof;
FIG. 3 is a rear view thereof;
FIG. 4 is a first side view thereof;
FIG. 5 is a second side view thereof;
FIG. 6 is a top view thereof; and,
FIG. 7 is a bottom view thereof.

The broken line showing of electric toothbrush charger is included for the purpose of illustrating environment and forms no part of the claimed design. Additionally, the unevenly broken lines in the drawings define the limits of the claimed design.

1 Claim, 7 Drawing Sheets

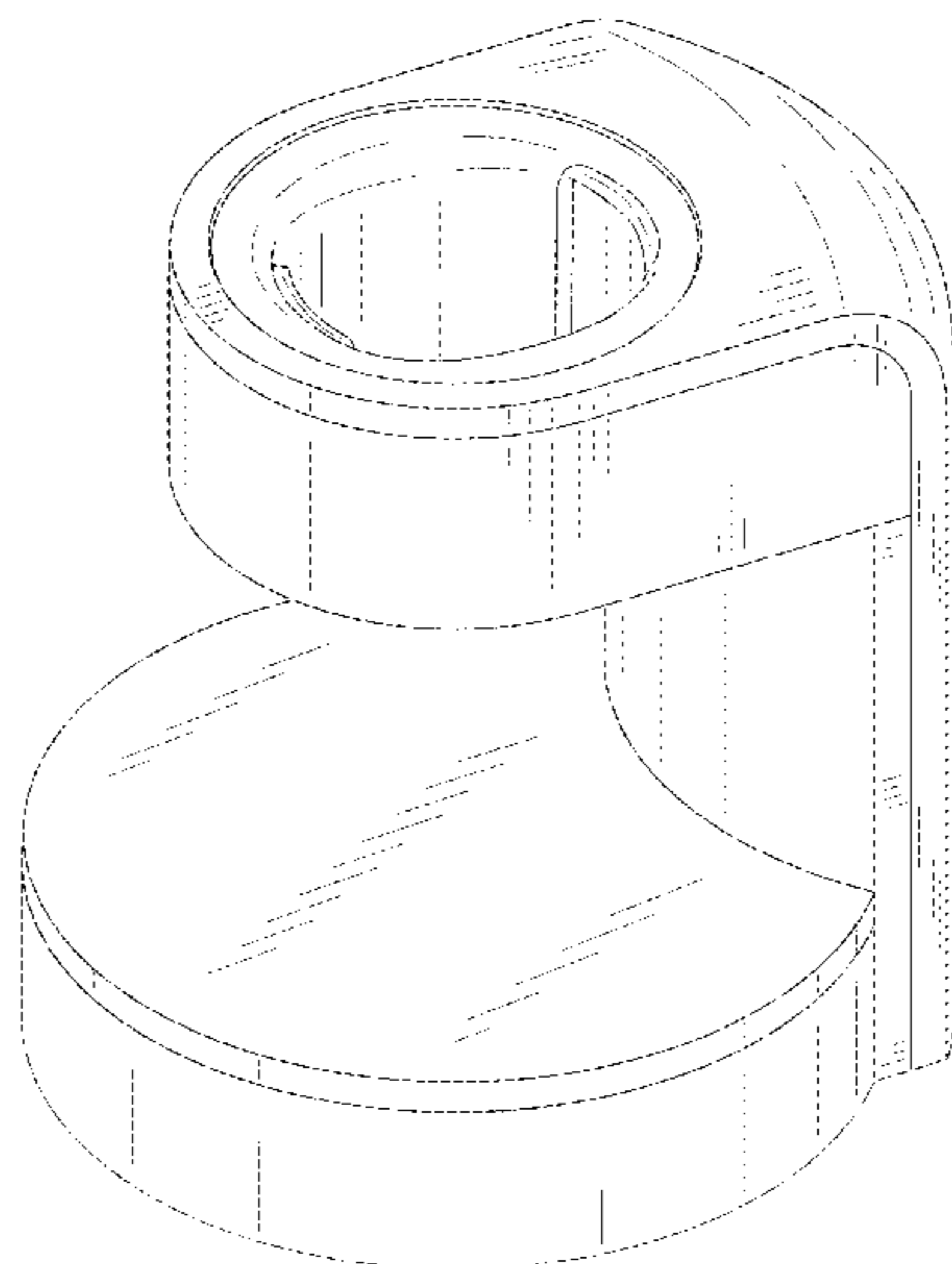


FIG. 1

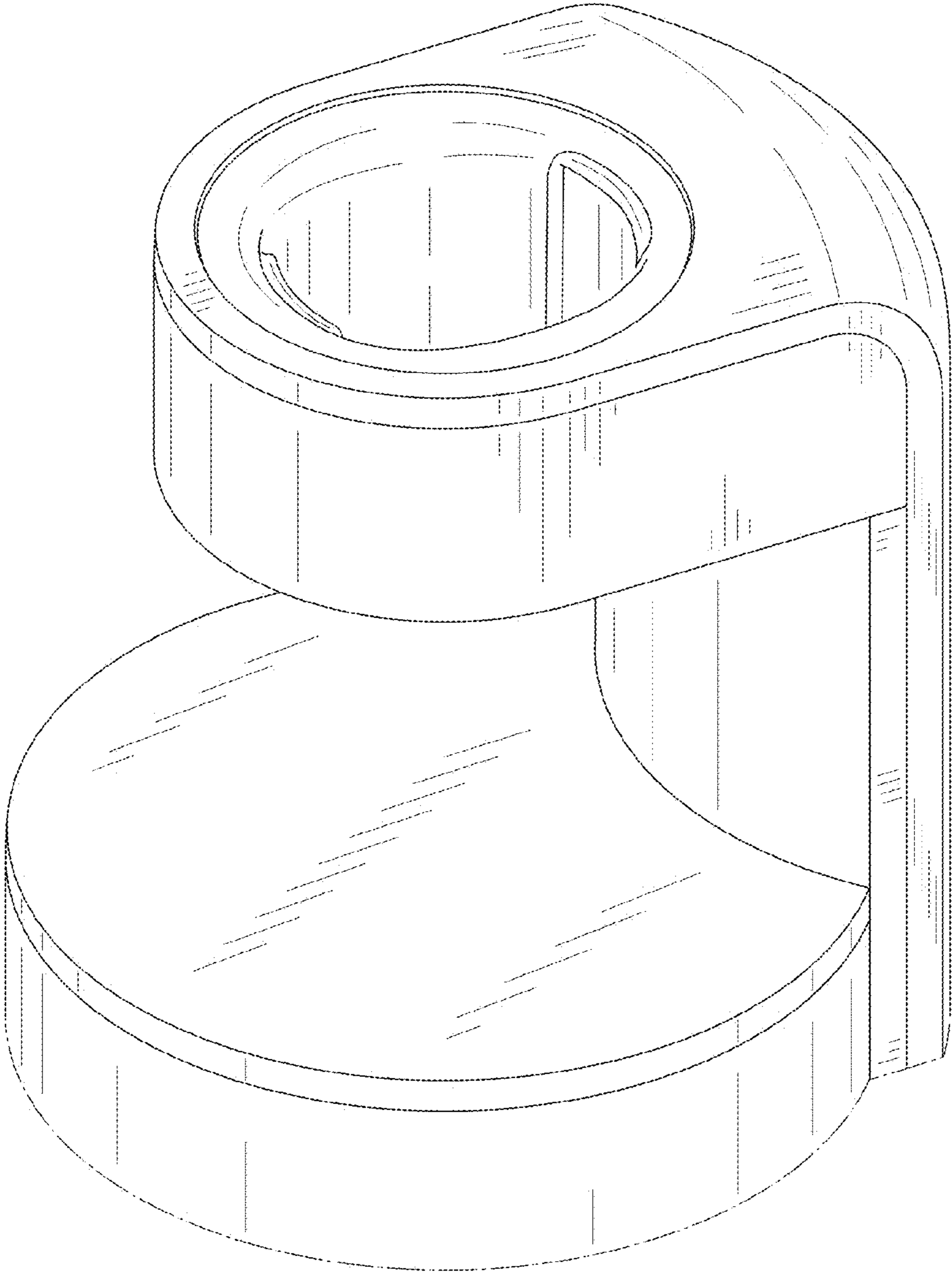


FIG. 2

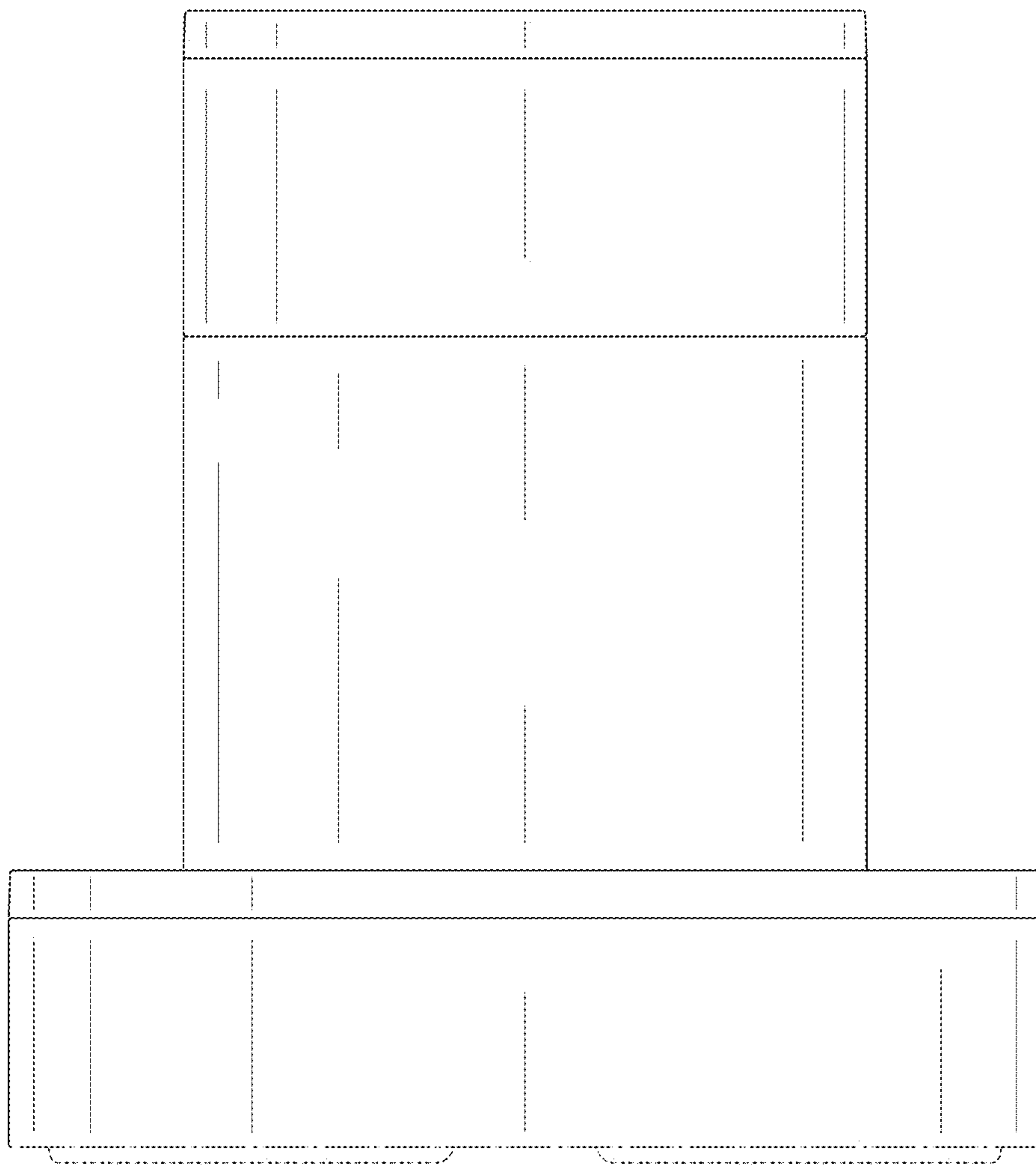


FIG. 3

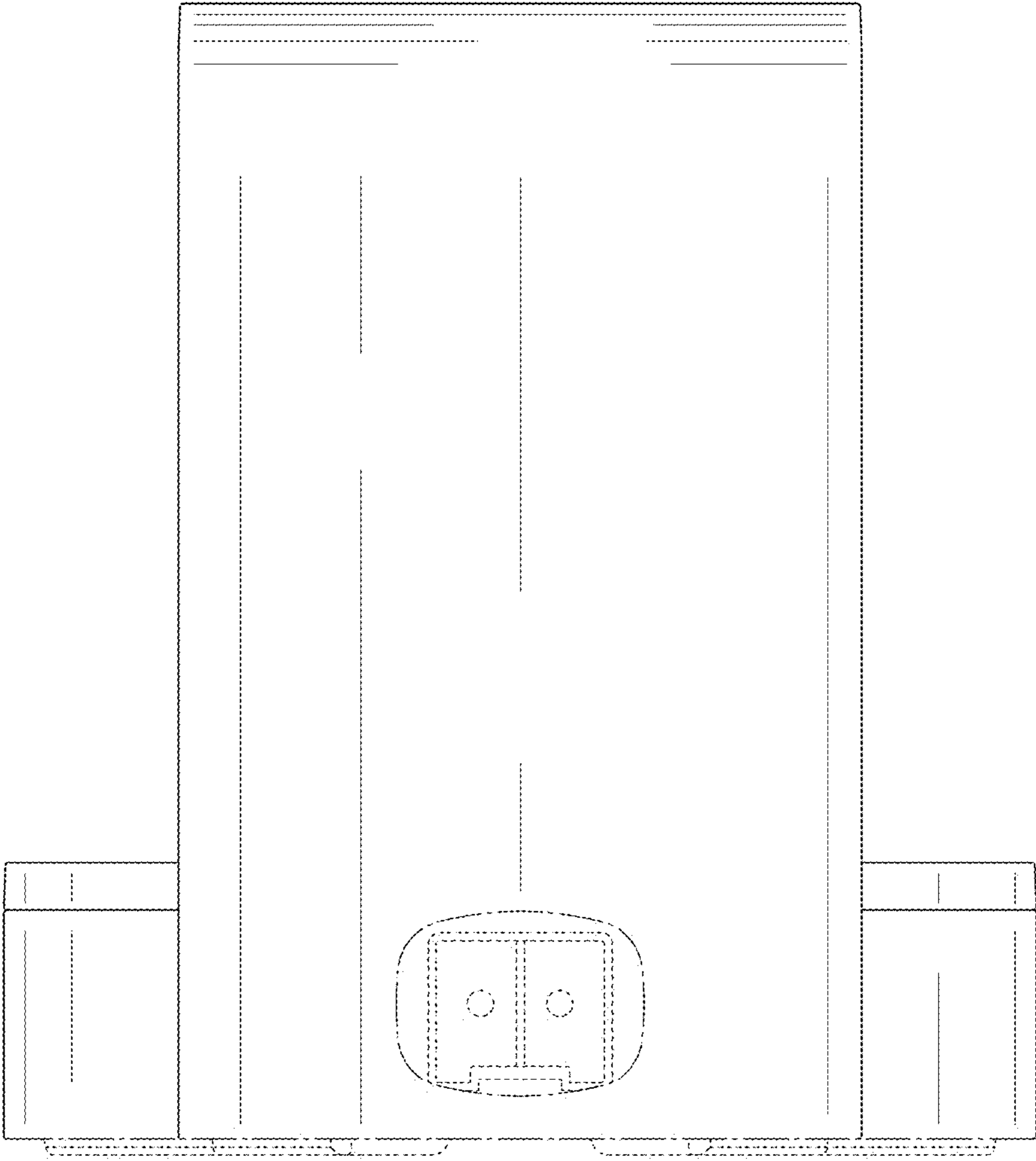


FIG. 4

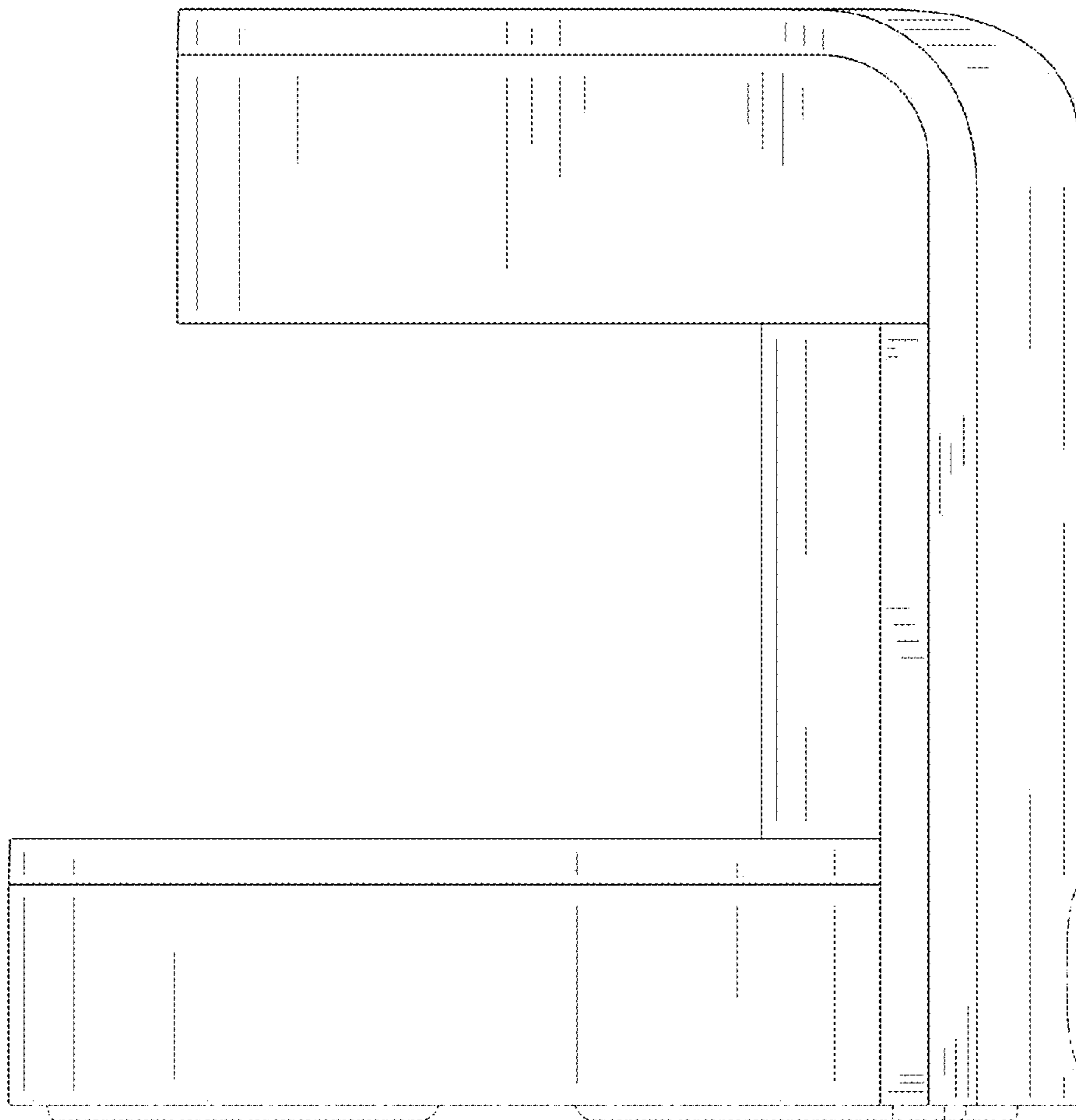


FIG. 5

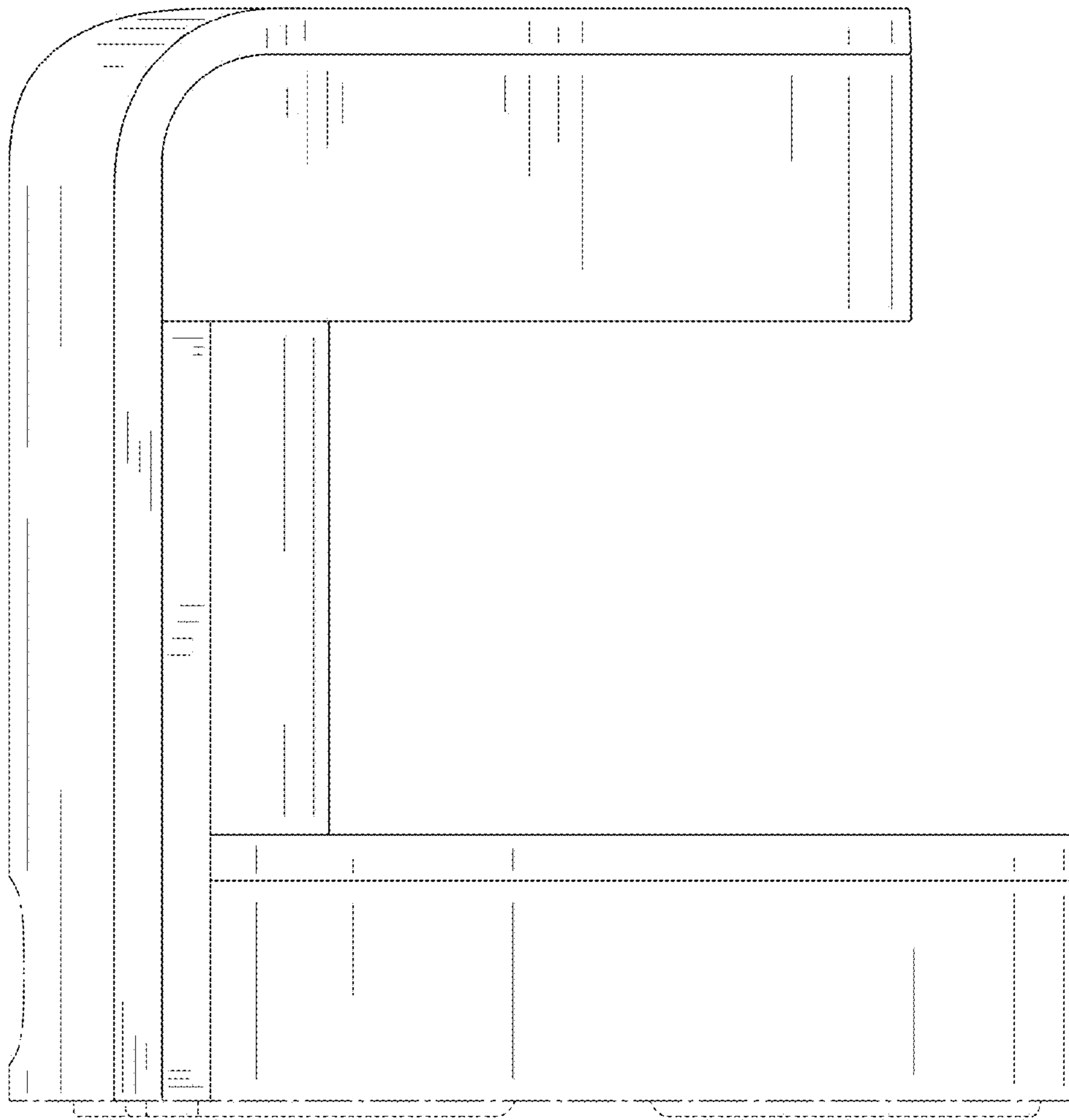


FIG. 6

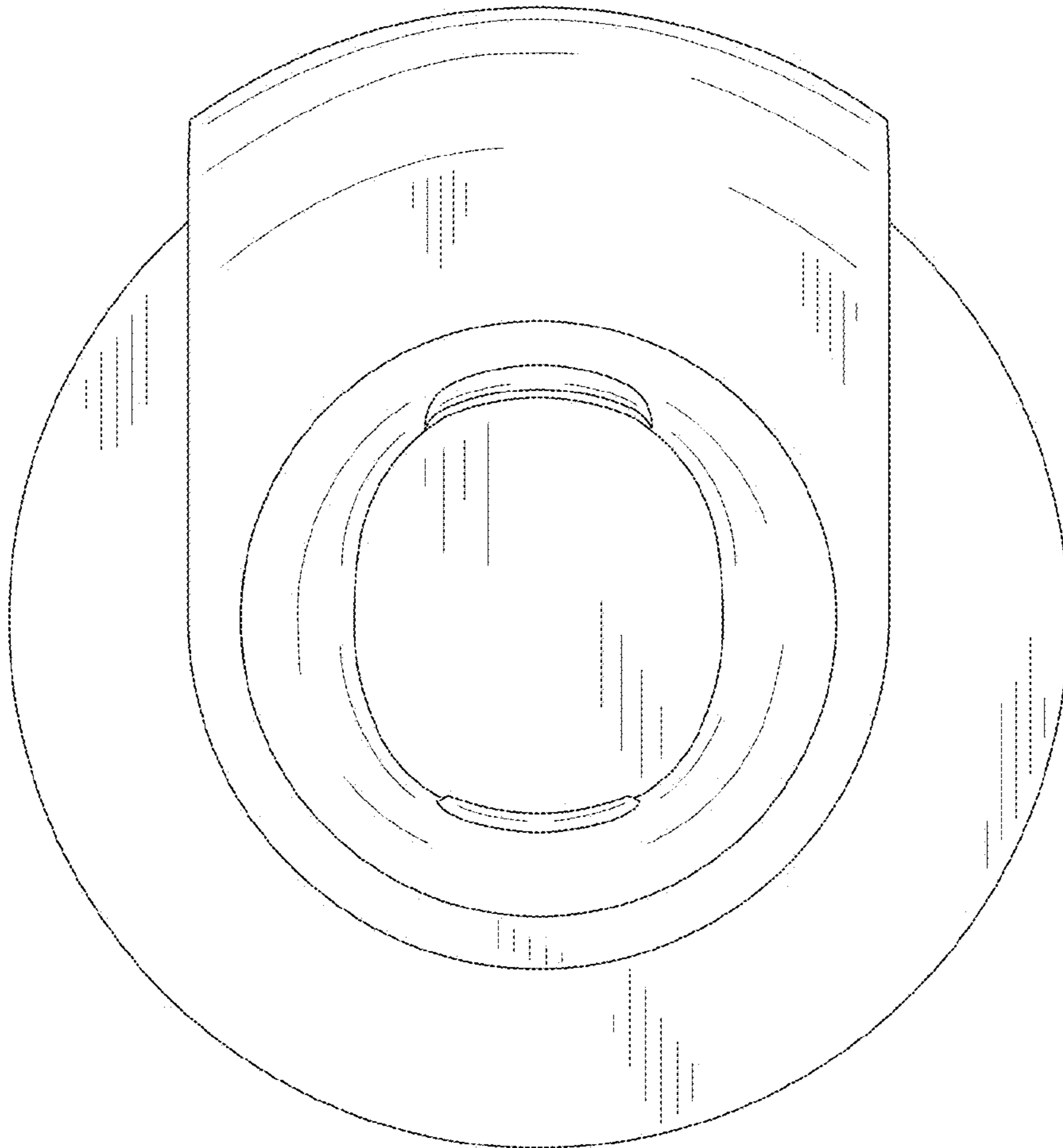


FIG. 7

