



US00D764405S

(12) **United States Design Patent**
Herr et al.

(10) **Patent No.:** **US D764,405 S**

(45) **Date of Patent:** **** Aug. 23, 2016**

(54) **BATTERY PACK**

(71) Applicant: **Fuelbox, Inc.**, Santa Barbara, CA (US)

(72) Inventors: **Robert Herr**, Santa Barbara, CA (US);
Daniel Friedman, Santa Barbara, CA (US);
John Stump, Santa Barbara, CA (US);
Paul Beierle, Carpinteria, CA (US);
Jon Frost, Santa Barbara, CA (US)

(73) Assignee: **Fuelbox, Inc.**, Santa Barbara, CA (US)

(**) Term: **14 Years**

(21) Appl. No.: **29/524,031**

(22) Filed: **Apr. 15, 2015**

(51) **LOC (10) Cl.** **13-02**

(52) **U.S. Cl.**
USPC **D13/103**; D13/108

(58) **Field of Classification Search**

USPC D13/102–106, 110, 118–119, 184,
D13/107–108; 320/107–115; D14/435.1
CPC H01M 10/44; H01M 10/46; H01M
10/4257; H01M 10/0436; H01M 10/425;
H01M 2/0207; H01M 2/1022; H01M 2/204;
H01M 2/1055; Y02E 60/12; Y02E 60/124;
Y02E 60/122; Y02T 90/00; Y02T 90/12;
Y02T 90/124; Y02T 90/14
See application file for complete search history.

(56) **References Cited**

U.S. PATENT DOCUMENTS

D478,310 S * 8/2003 Andre D13/110
D503,679 S * 4/2005 Andre D13/110

(Continued)

OTHER PUBLICATIONS

Myfuelbox.com: Fuelbox BoostPack, Grey. Retrieved from the internet at <<http://fuelbox-4.myshopify.com/products/fuelbox-boostpack>>, Apr. 20, 2016. 4 pages.*

Primary Examiner — Rosemary K Tarcza

Assistant Examiner — James Thorn, Sr.

(74) *Attorney, Agent, or Firm* — SoCal IP Law Group LLP;
Steven C. Sereboff; M. Kala Sarvaiya

(57) **CLAIM**

The ornamental design for a battery pack, as shown and described.

DESCRIPTION

A portion of the disclosure of this patent document contains material which is subject to copyright protection. This patent document may show and/or describe matter which is or may become trade dress of the owner. The copyright and trade dress owner has no objection to the facsimile reproduction by anyone of the patent disclosure as it appears in the Patent and Trademark Office patent files or records, but otherwise reserves all copyright and trade dress rights whatsoever.

FIG. 1 is a front, top and left side perspective view of a battery pack shown with a dock connected to it.

FIG. 2 is a front, top and left side perspective view of just the battery pack.

FIG. 3 is a rear, top and right perspective view of the battery pack shown with a dock connected to it.

FIG. 4 is a rear, top and right perspective view of just the battery pack.

FIG. 5 is a front elevation view of the battery pack.

FIG. 6 is a rear elevation view of the battery pack.

FIG. 7 is right side elevation view of the battery pack.

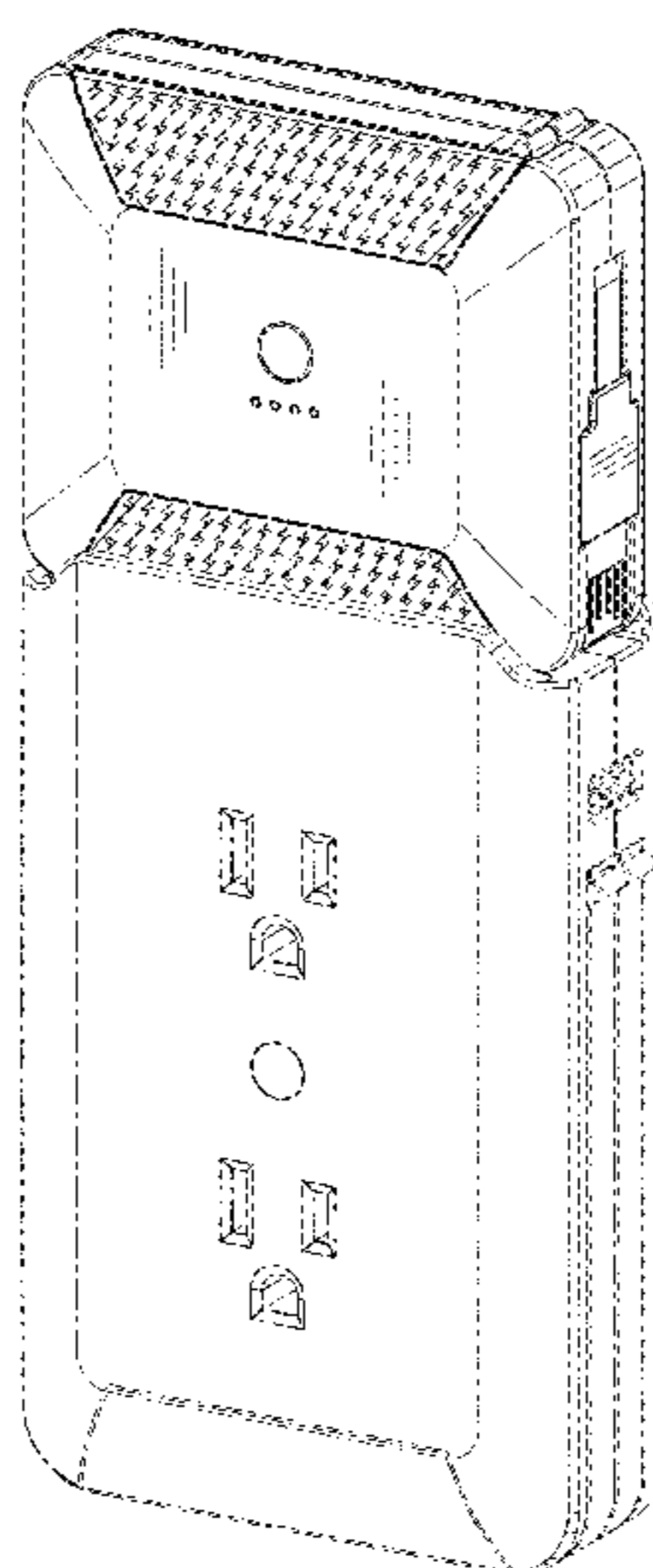
FIG. 8 is a left side elevation view of the battery pack.

FIG. 9 is a top plan view of the battery pack; and,

FIG. 10 is a bottom plan view of the battery pack.

The broken lines shown in the drawings are for illustrative purposes only and form no part of the claimed design.

1 Claim, 5 Drawing Sheets



(56)

References Cited

U.S. PATENT DOCUMENTS

D635,106 S *	3/2011	Cheng	D13/184					
D669,847 S *	10/2012	Jadraque Aznarez	D13/102					
D681,548 S *	5/2013	Zhang	D13/102					
D704,135 S *	5/2014	Stewart	D13/108					
D711,824 S *	8/2014	Matsuoka	D13/110					
D715,734 S *	10/2014	Levy	D13/110					
D718,715 S *	12/2014	Si	D13/110					
D731,970 S *	6/2015	Kamath	D13/110					
D732,472 S *	6/2015	Laffon	D13/110					
D737,764 S *	9/2015	Janos	D13/110					
D738,301 S *	9/2015	Symons	D13/107					
D738,822 S *	9/2015	Stewart	D13/108					
D739,835 S *	9/2015	Bush	D13/184					
					D739,837 S *	9/2015	Bush	D13/184
					D740,749 S *	10/2015	Stewart	D13/108
					D742,824 S *	11/2015	Hsu	D13/103
					2009/0191735 A1 *	7/2009	Lin	H01R 13/72
									439/131
					2014/0049209 A1 *	2/2014	Chang	H02J 7/0052
									320/107
					2014/0333263 A1 *	11/2014	Stewart	H02J 7/0042
									320/111
					2014/0335919 A1 *	11/2014	Stewart	H02J 7/0042
									455/573
					2014/0370742 A1 *	12/2014	Andre	F16C 11/04
									439/501
					2014/0375268 A1 *	12/2014	Zou	H01R 31/065
									320/111

* cited by examiner

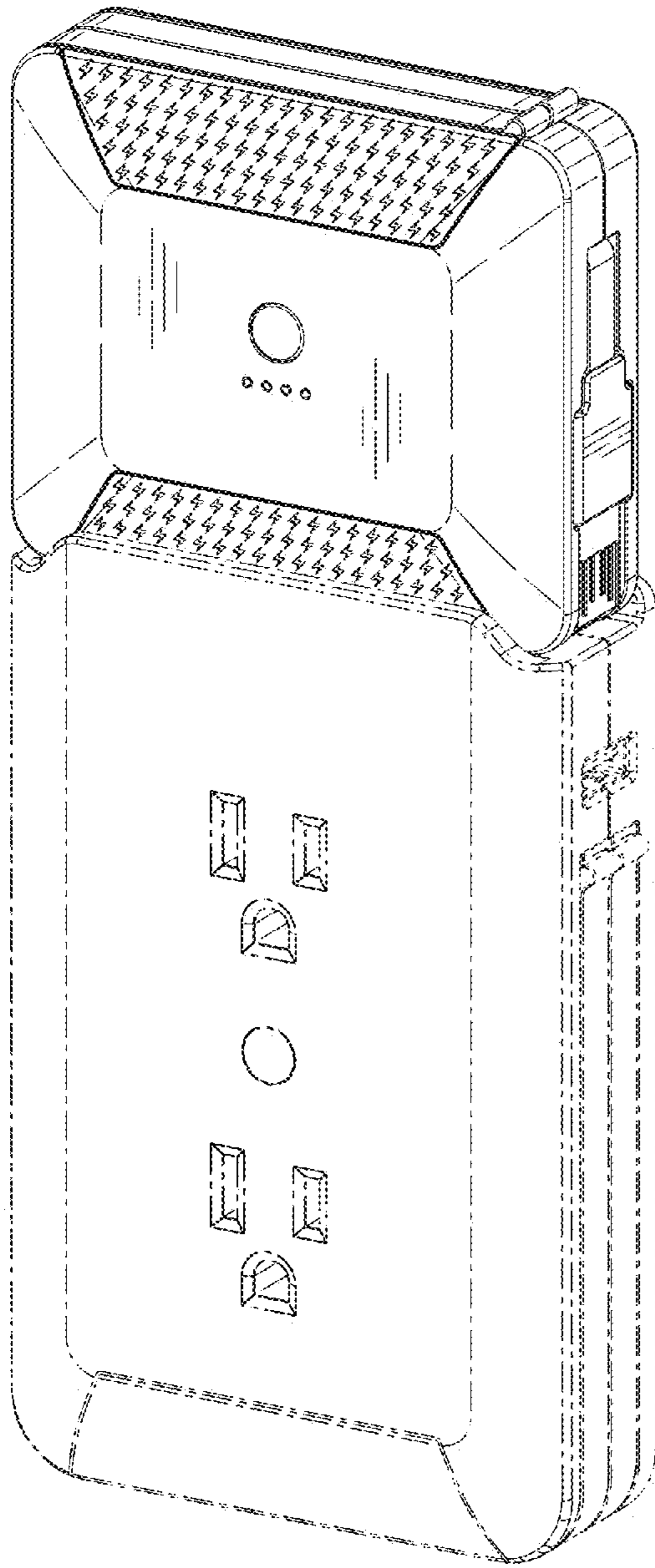


Fig. 1

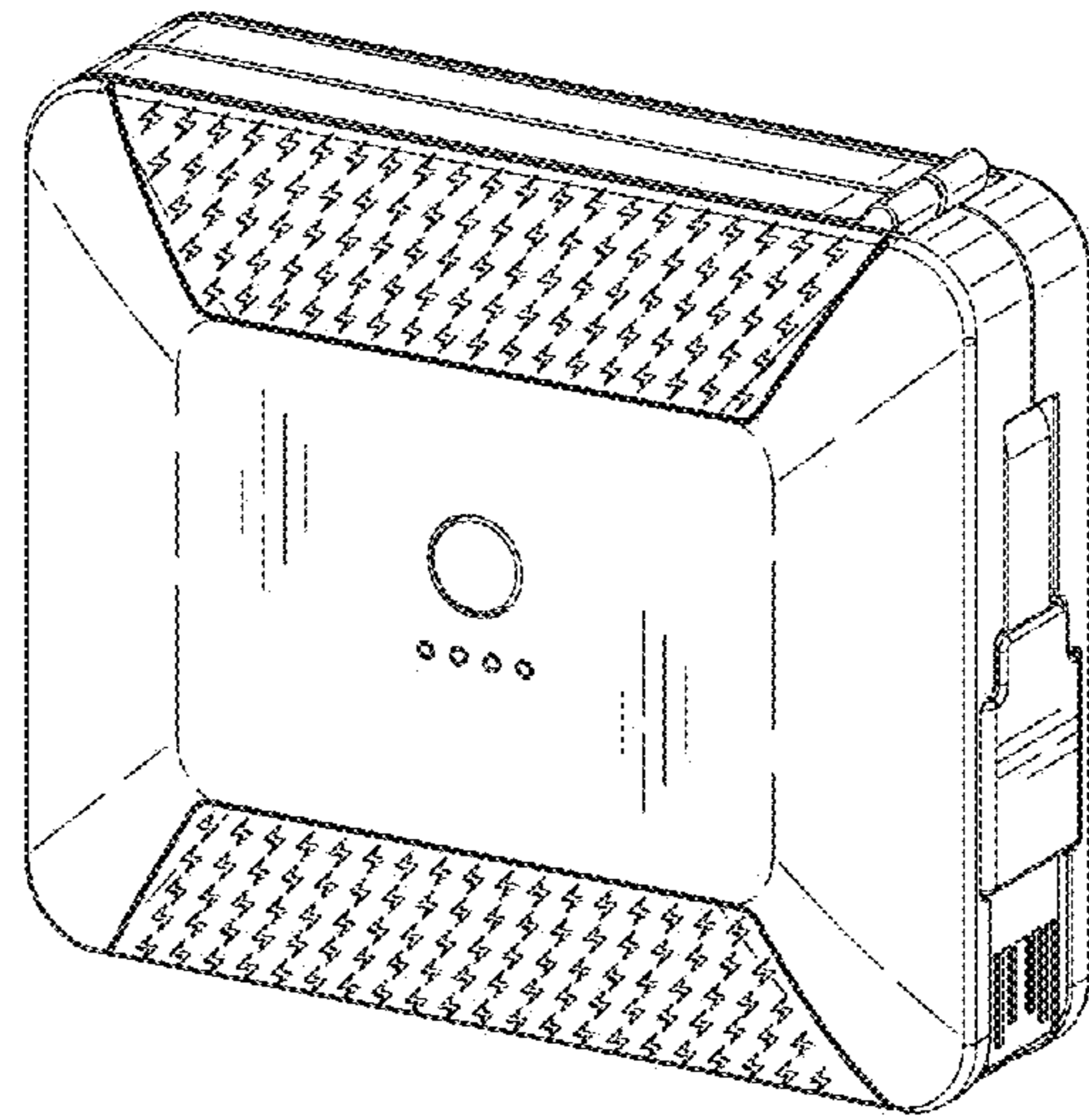


Fig. 2

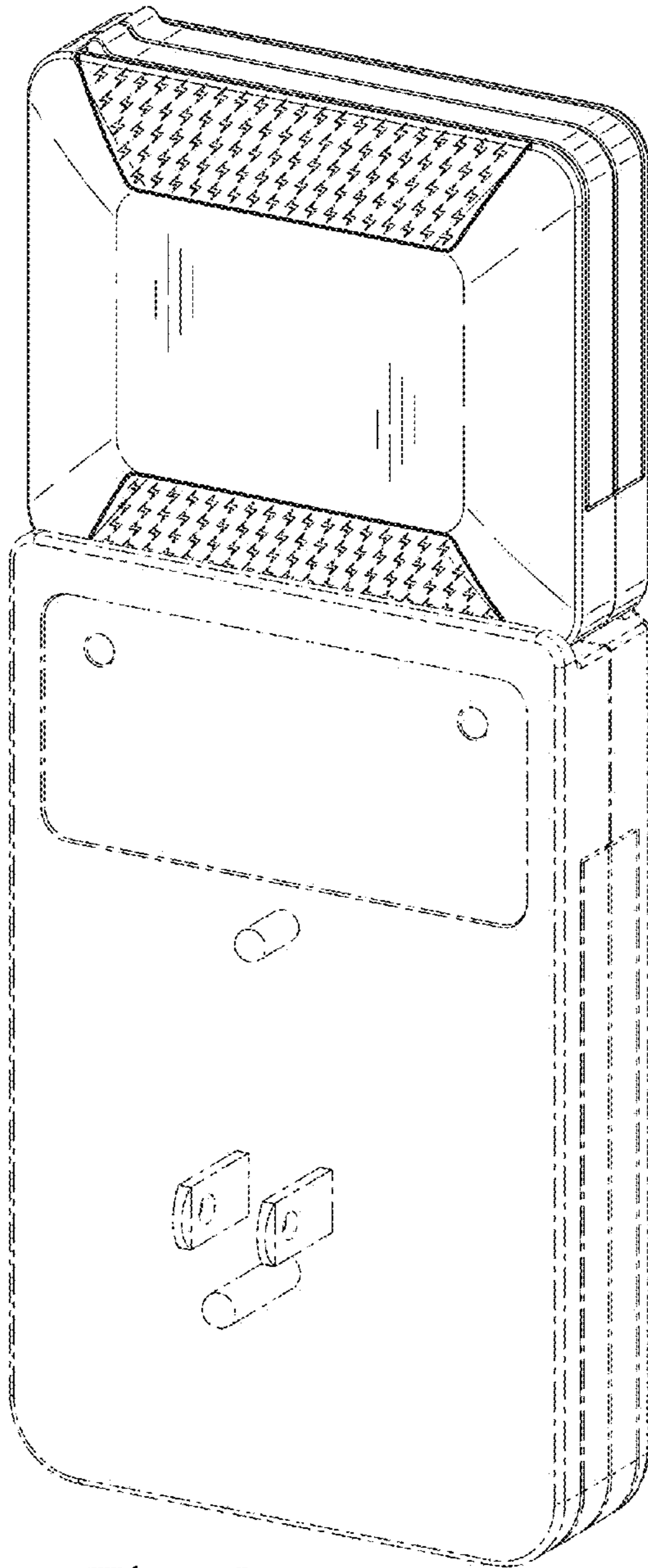


Fig. 3

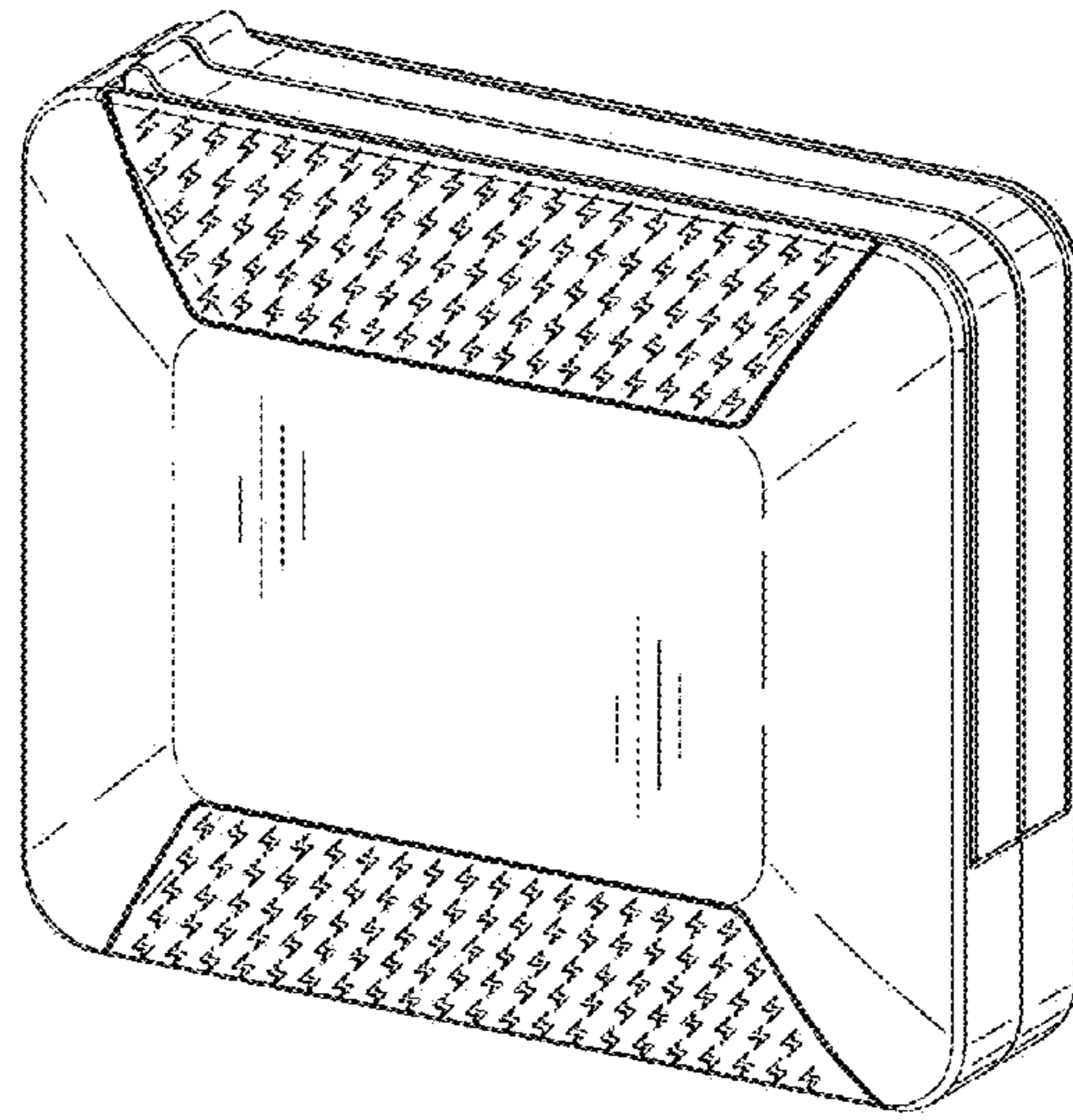


Fig. 4

Fig. 6

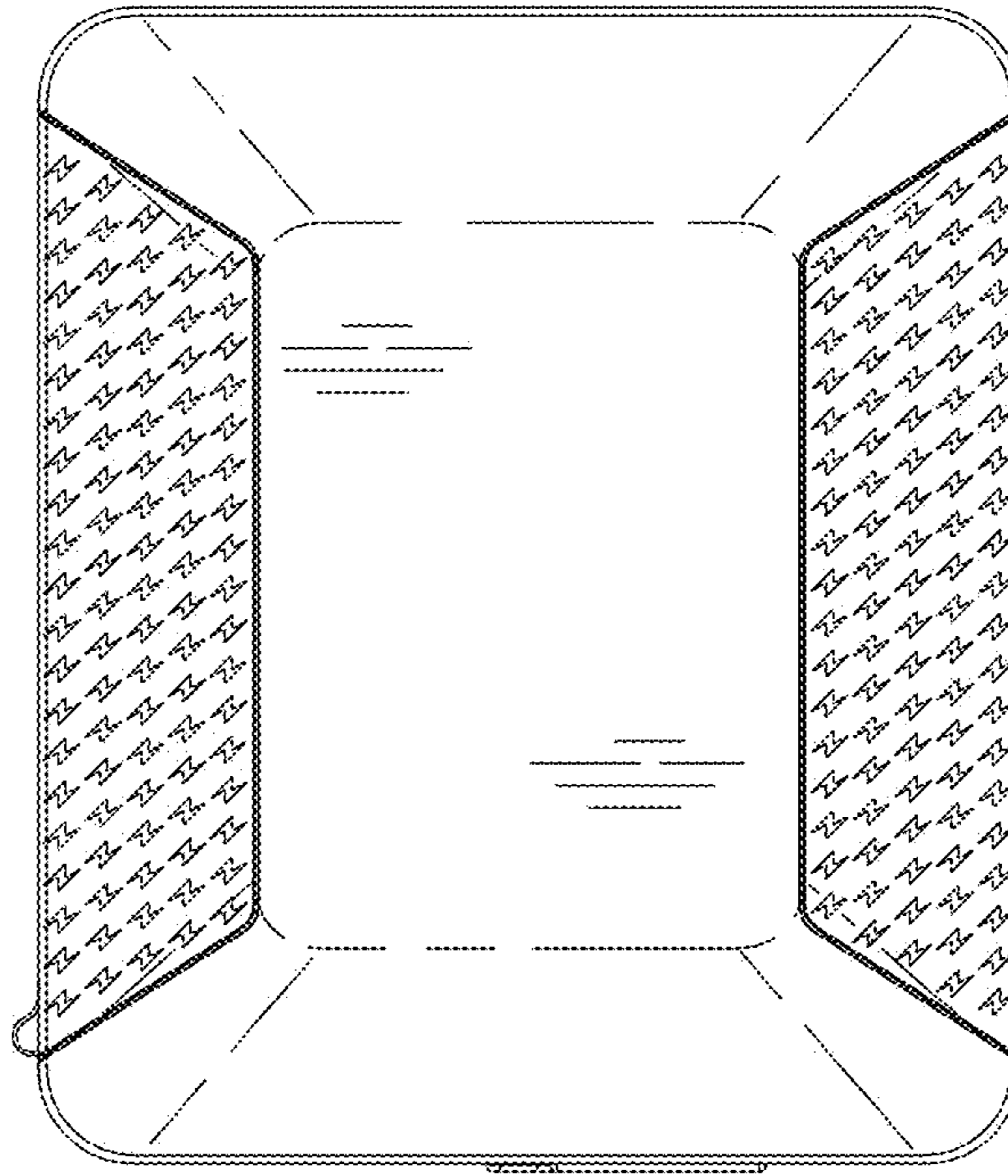


Fig. 5

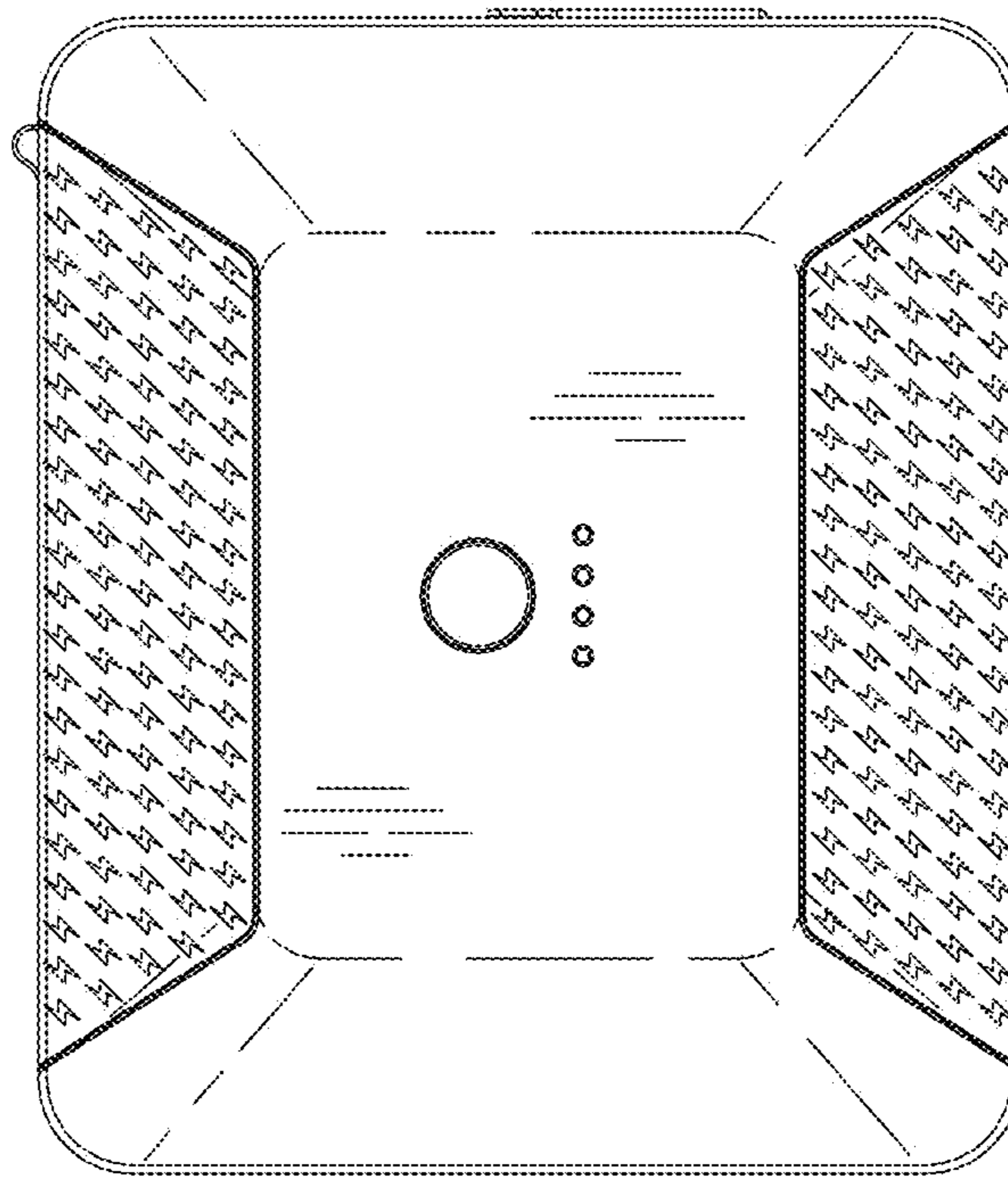


Fig. 8

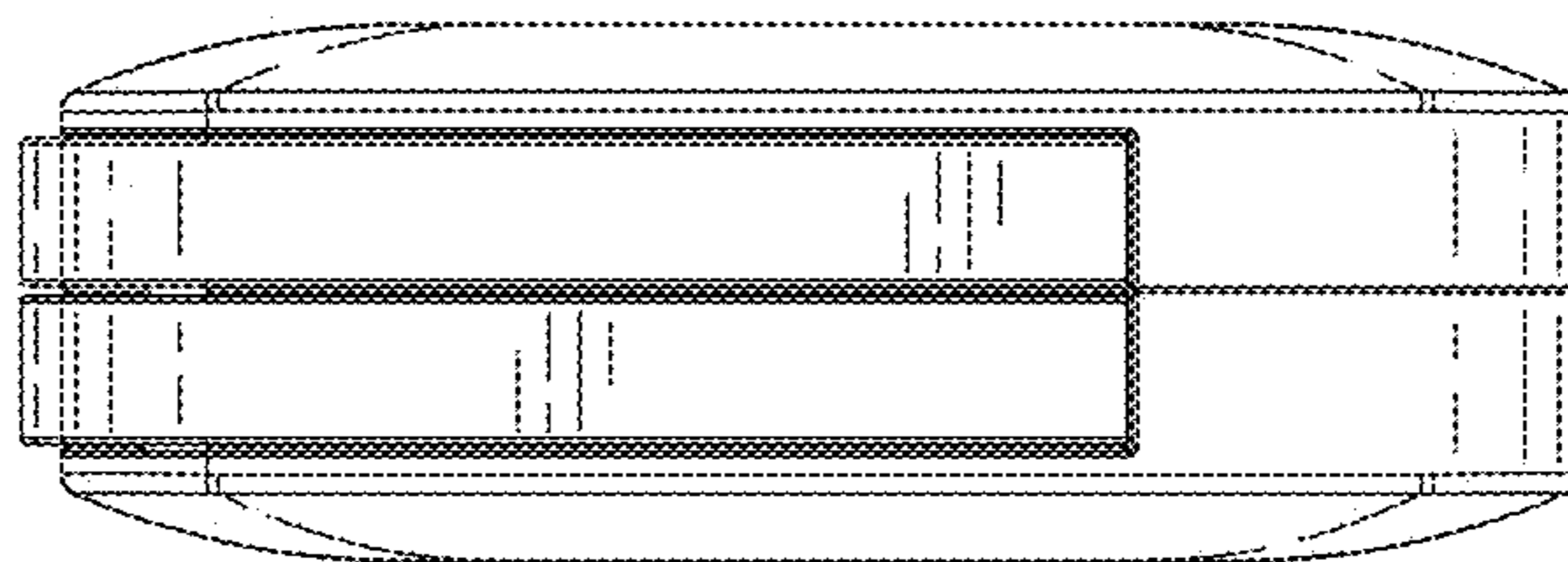


Fig. 7

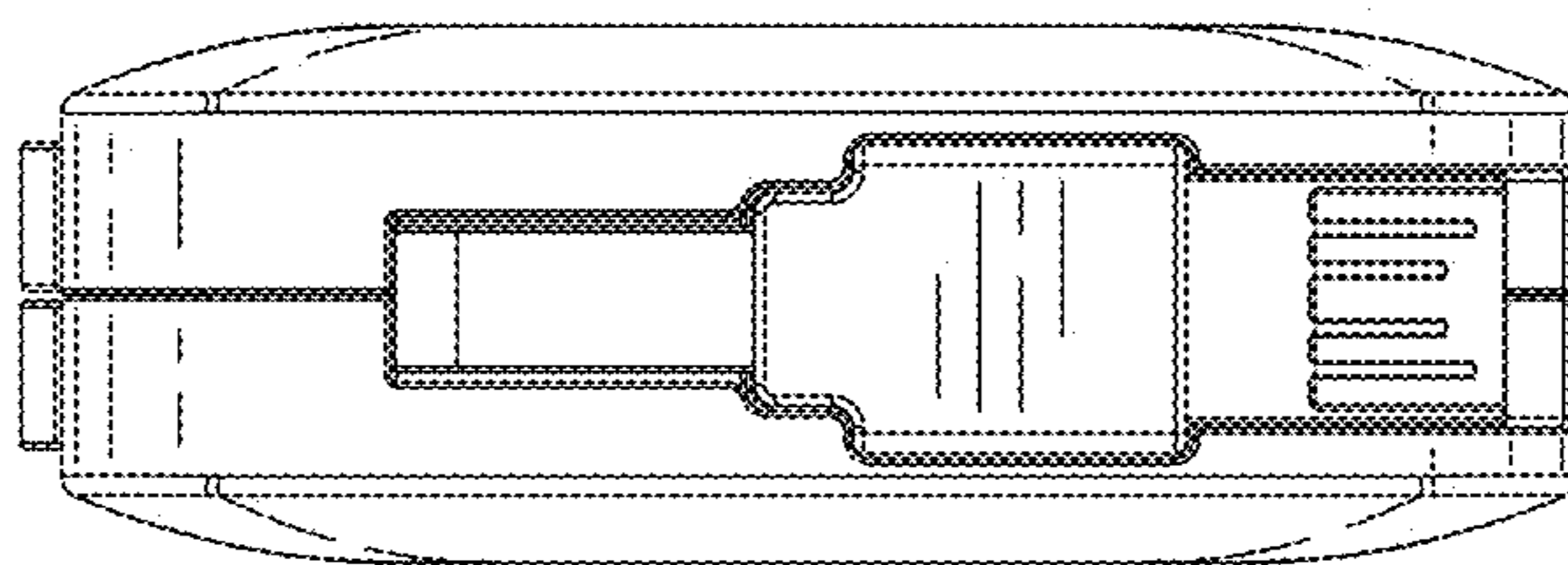


Fig. 9

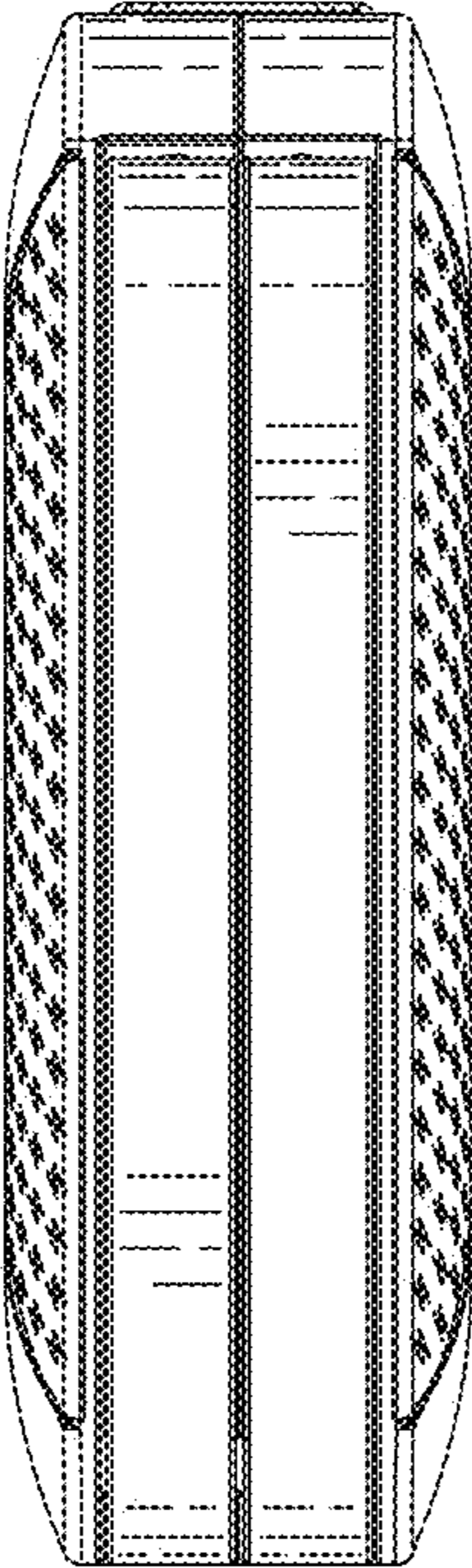


Fig. 10

