



US00D764404S

(12) **United States Design Patent** (10) **Patent No.:** **US D764,404 S**
Lau et al. (45) **Date of Patent:** **** Aug. 23, 2016**

(54) **PORTABLE BATTERY**
(71) Applicant: **Sun Pleasure Company Limited**, San Po Kong, Kowloon (HK)
(72) Inventors: **Vincent W. S. Lau**, Kowloon (HK); **Lei Zheng**, Kowloon (HK)
(73) Assignee: **Sun Pleasure Co. Limited**, Hong Kong (HK)

D686,152 S * 7/2013 Lee D13/103
D686,153 S * 7/2013 Qu D13/103
D713,785 S * 9/2014 Tehrani D13/103
D716,224 S * 10/2014 Blumin D13/108
D722,961 S * 2/2015 Lin D13/103
D727,844 S * 4/2015 Miller D13/103
D727,845 S * 4/2015 Miller D13/103
D745,456 S * 12/2015 Fung D13/108
2013/0193911 A1 * 8/2013 Miller H02J 7/0042
320/107
2014/0042969 A1 * 2/2014 Miller H02J 7/0042
320/111

(**) Term: **14 Years**

(21) Appl. No.: **29/518,622**

(22) Filed: **Feb. 25, 2015**

(51) **LOC (10) Cl.** **13-02**

(52) **U.S. Cl.**
USPC **D13/103; D13/108**

(58) **Field of Classification Search**
USPC D13/102-106, 108, 110, 118-119, 184,
D13/199; D14/356, 432; 429/96-100, 163,
429/176
CPC ... Y02E 60/12; Y02E 60/122; Y02E 60/124;
Y02E 60/50; H01M 2/022; H01M 2/0202;
H01M 2/0212; H01M 2/1061; H01M
10/4257; H01M 10/0436; H01M 1/0262
See application file for complete search history.

(56) **References Cited**

U.S. PATENT DOCUMENTS

D487,458 S * 3/2004 Gentil D14/480.5
D509,181 S * 9/2005 Nellenbach D13/103
D618,237 S * 6/2010 Wang D14/356
D659,094 S * 5/2012 Brand D13/108
D674,748 S * 1/2013 Ferber D13/108
D682,197 S * 5/2013 Leung D13/103
D686,150 S * 7/2013 Lee D13/103

OTHER PUBLICATIONS

The EnerPlex Jumpr Mini; Enerplex, A Division of Ascent Solar Technologies, Inc.

* cited by examiner

Primary Examiner — Rosemary K Tarcza

Assistant Examiner — James Thorn, Sr.

(74) *Attorney, Agent, or Firm* — Raymond Sun

(57) **CLAIM**

The ornamental design for a portable battery, as shown and described.

DESCRIPTION

FIG. 1 is a front perspective view of a portable battery showing my new design.

FIG. 2 is a front view thereof.

FIG. 3 is a rear view thereof.

FIG. 4 is the left side view thereof.

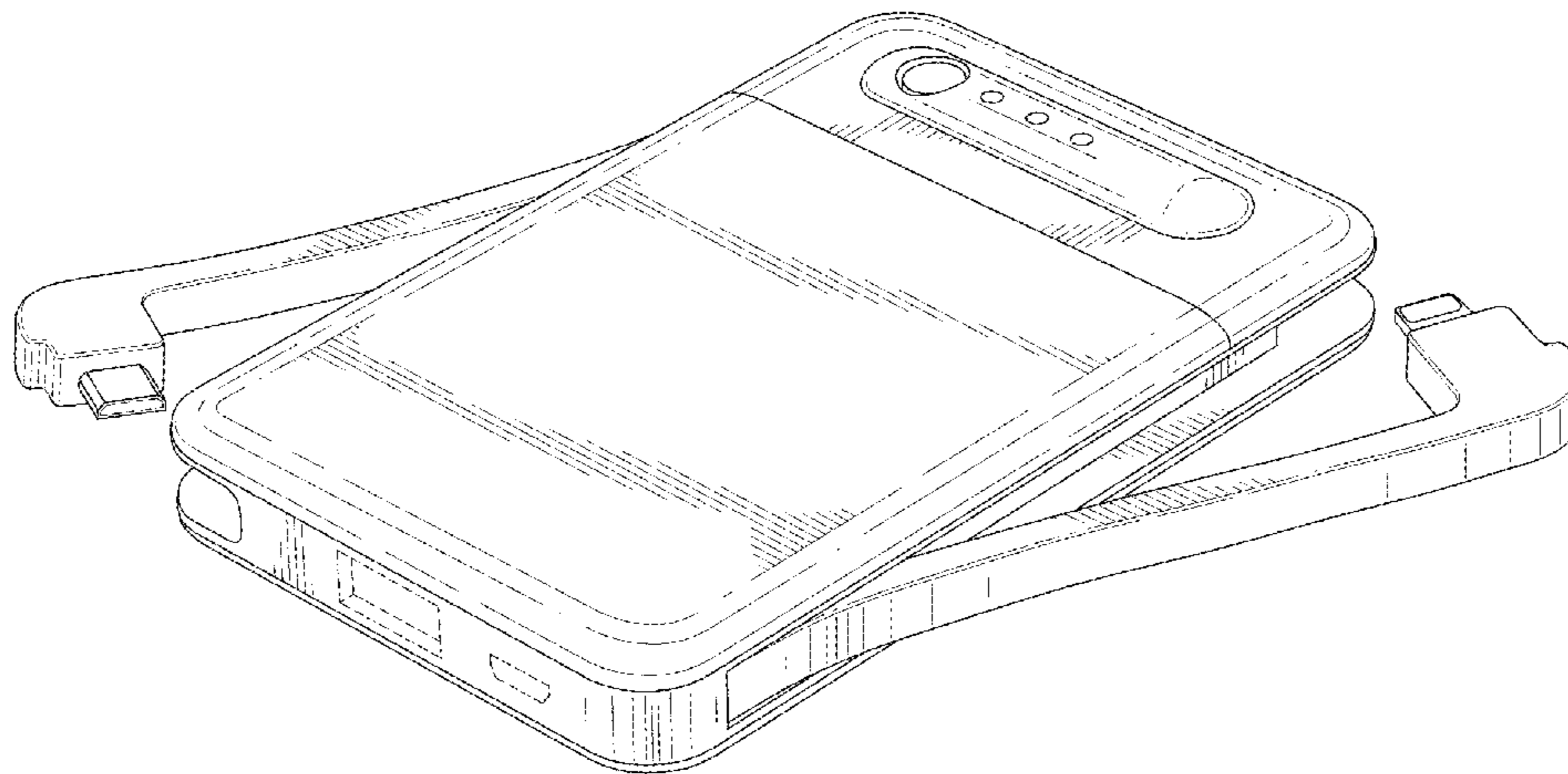
FIG. 5 is a right side view thereof.

FIG. 6 is a top view thereof; and,

FIG. 7 is a bottom view thereof.

The broken lines in the drawings represent portions of the article that form no part of the claimed design.

1 Claim, 5 Drawing Sheets



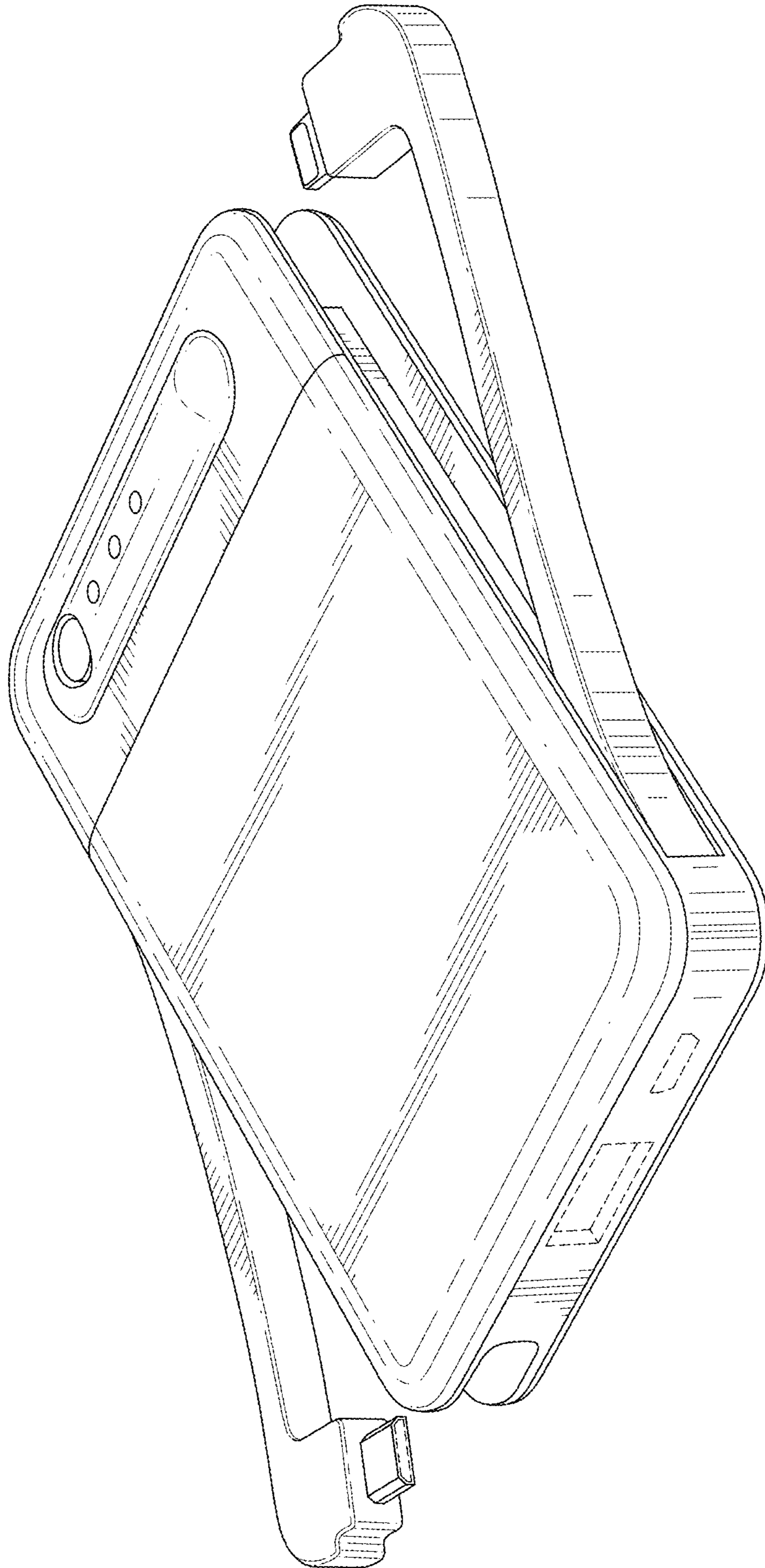


FIG. 1

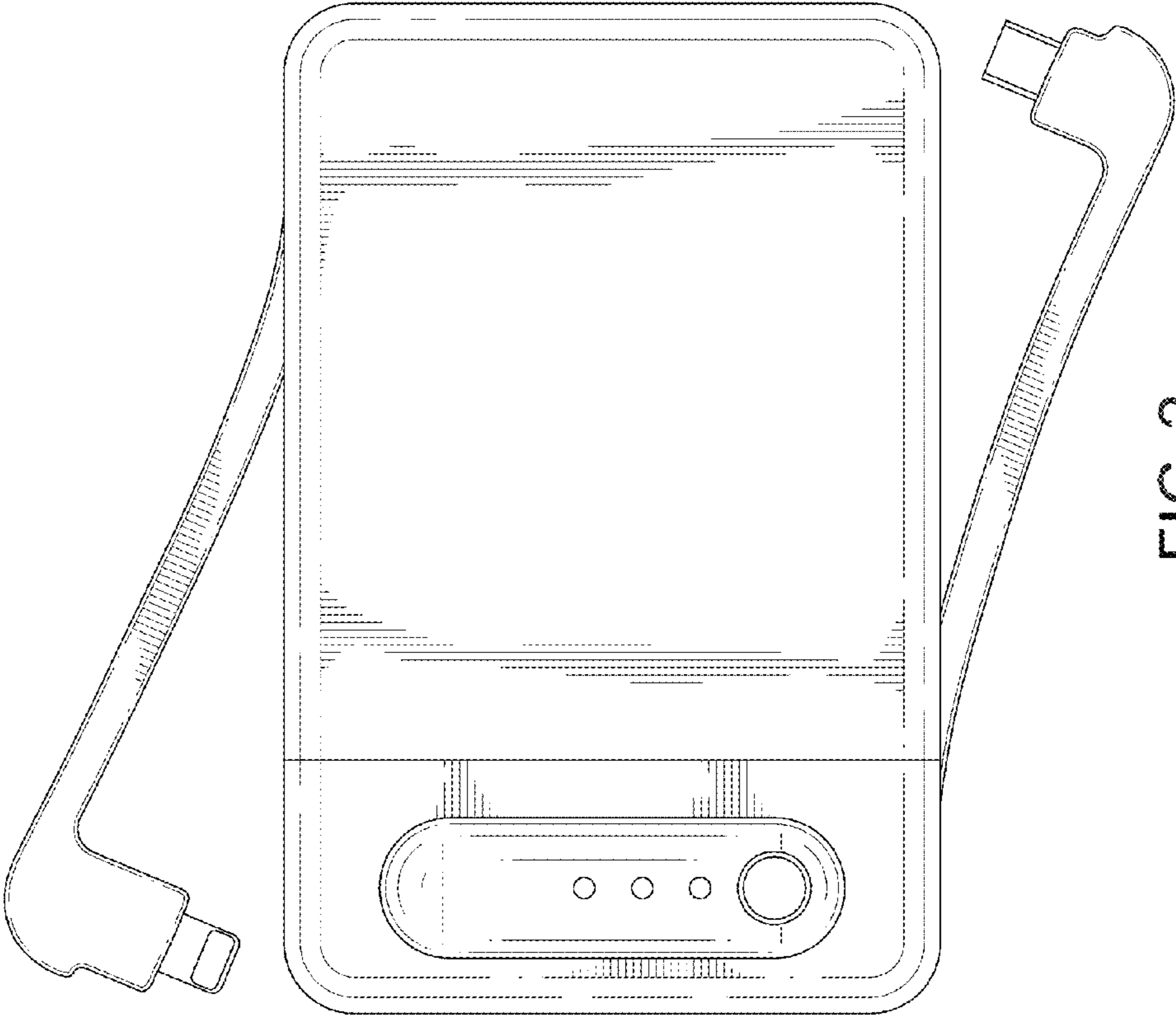


FIG. 2

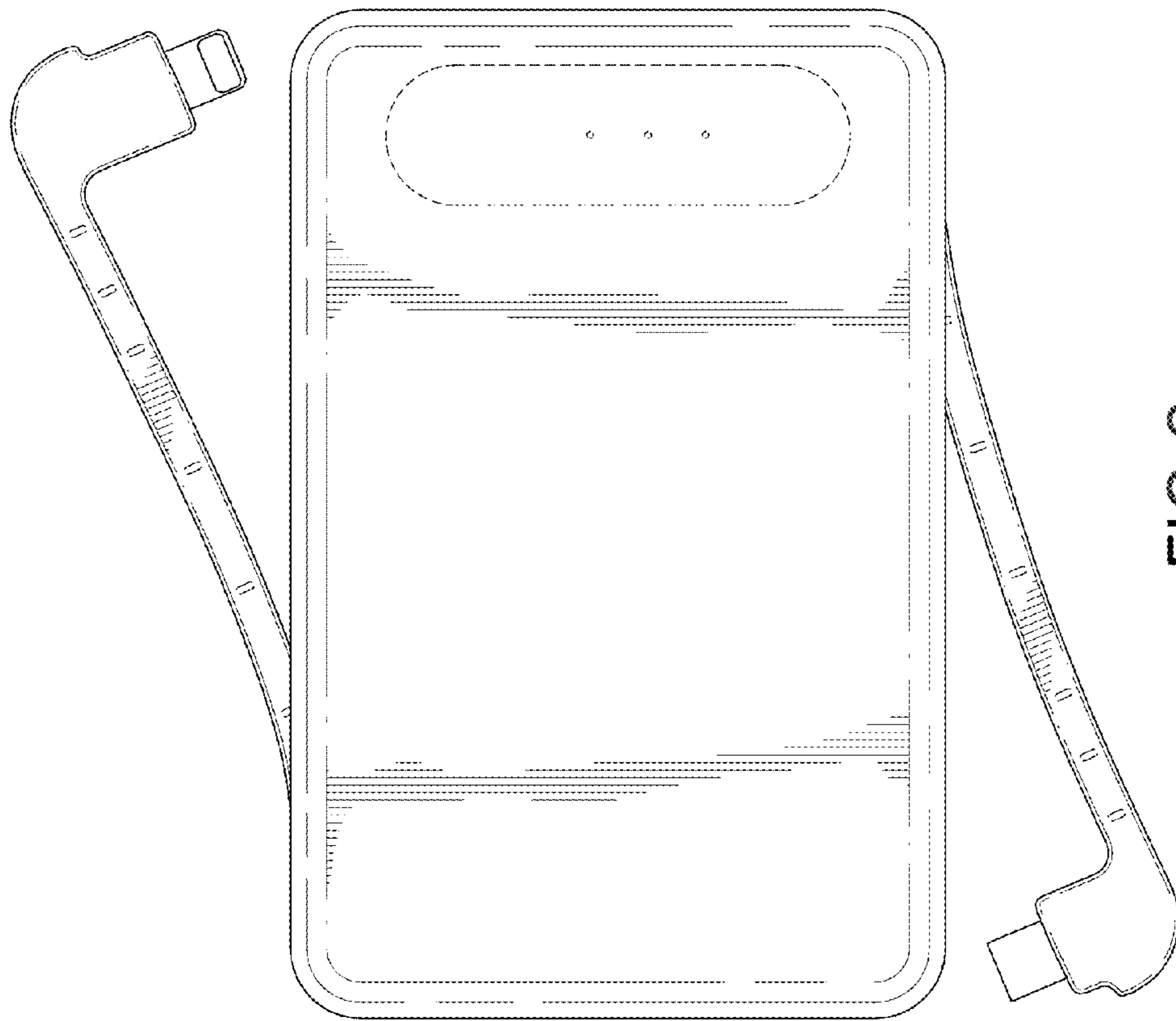


FIG. 3

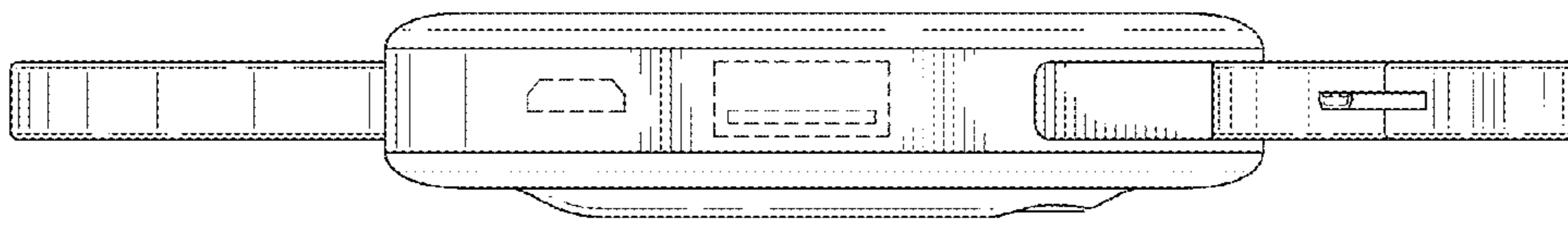


FIG. 5

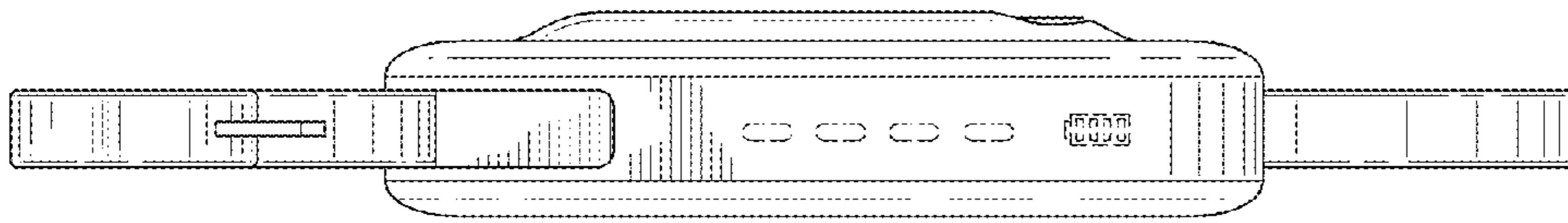


FIG. 4

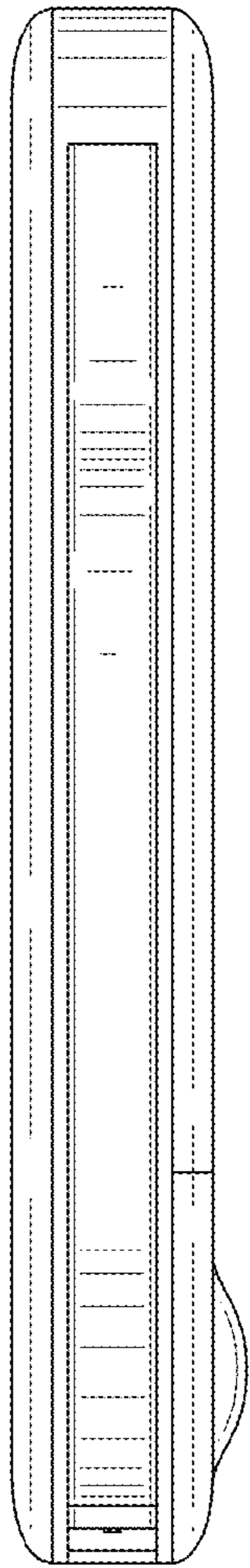


FIG. 6

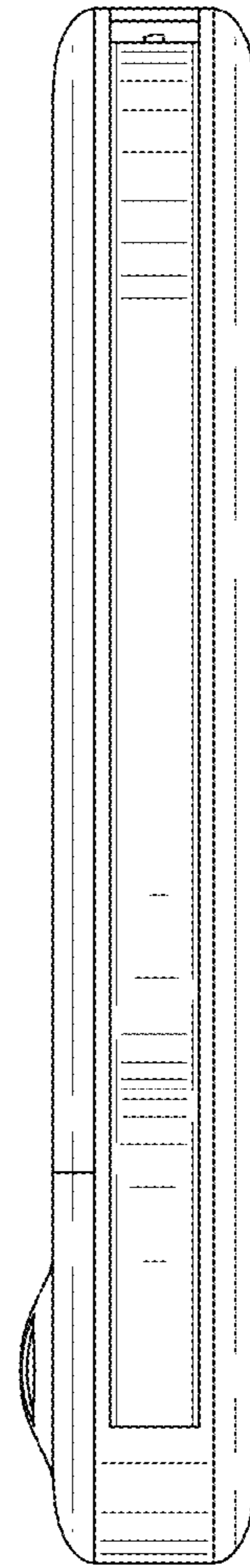


FIG. 7