

US00D764402S

(12) **United States Design Patent** (10) **Patent No.:** **US D764,402 S**
Rowe et al. (45) **Date of Patent:** **** Aug. 23, 2016**

(54) **BATTERY PACK CARRIAGE ASSEMBLY**
(71) Applicant: **Techtronic Industries Co. Ltd.**, Tsuen Wan (HK)
(72) Inventors: **Tyler Rowe**, Anderson, SC (US); **Stuart Miller**, Anderson, SC (US); **J. Luke Jenkins**, Anderson, SC (US); **Matthew Corbin**, Anderson, SC (US); **Nicholas Norton**, Lexington, SC (US); **Sean Campbell**, Anderson, SC (US); **Daniel J. Bowen**, Aiken, SC (US); **C. Keith Long**, Seneca, SC (US)
(73) Assignee: **TECHTRONIC INDUSTRIES CO. LTD.**, Tsuen Wan, New Territories (HK)
(**) Term: **14 Years**
(21) Appl. No.: **29/504,030**
(22) Filed: **Oct. 1, 2014**
(51) **LOC (10) Cl.** **13-02**
(52) **U.S. Cl.**
USPC **D13/103**
(58) **Field of Classification Search**
USPC D13/102, 103, 107, 108, 110, 118, 119, D13/184, 199; 307/82, 109, 150, 151; 320/104, 107, 111, 112, 113, 115, 132, 320/134, 150; 361/600, 601, 623; 429/96, 429/97, 98, 99, 100, 163, 170, 176
CPC H05K 5/0265; H05K 5/0269; H05K 5/0273; H05K 5/0278; H05K 5/0282; H05K 5/0286; H05K 5/0291; H05K 5/0295; H05K 5/03; H05K 5/04; H05K 5/06; H05K 5/061; H05K 5/062
See application file for complete search history.

(56) **References Cited**
U.S. PATENT DOCUMENTS
D442,542 S * 5/2001 Dougherty D13/104
D611,006 S * 3/2010 Lanfear D13/162
D655,245 S * 3/2012 Itoh D13/110
D664,923 S * 8/2012 Harmon D13/119
D665,342 S * 8/2012 Qualls, Jr. D13/106
D693,295 S * 11/2013 Inskeep D13/107
D693,766 S * 11/2013 Hirotsu D13/110

(Continued)

OTHER PUBLICATIONS

“IDX Increases Support for 7.2V 7.4V Battery Users.” Posted Oct. 27, 2015. Kit Plus. http://www.kitplus.com/news/IDX_increases_support_for_7_2V_7_4V_Battery_Users/12762.html.*

(Continued)

Primary Examiner — Susan Bennett Hattan
Assistant Examiner — Suzanne Tisdell
(74) *Attorney, Agent, or Firm* — Michael Best & Friedrich LLP

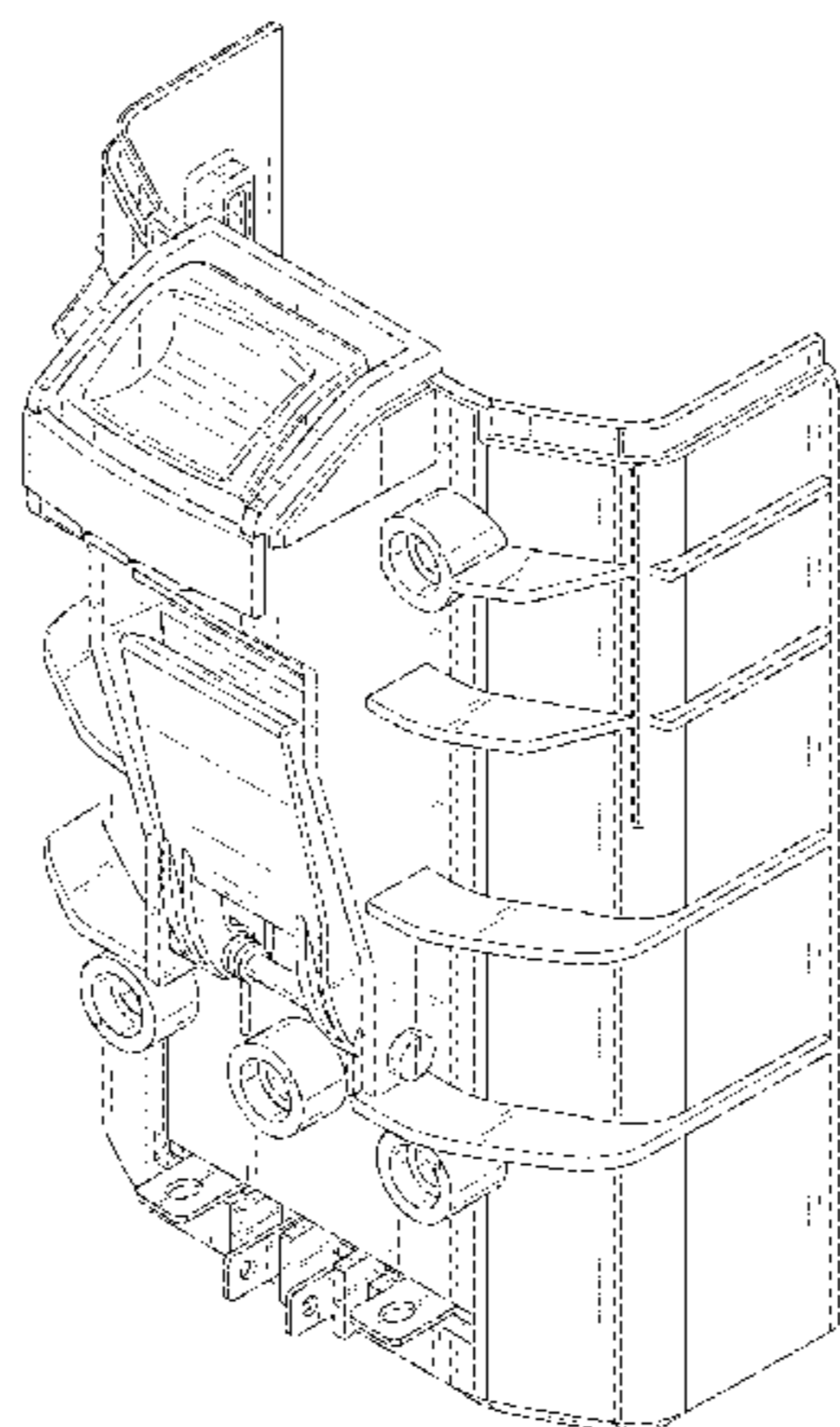
(57) **CLAIM**

The ornamental design for a battery pack carriage assembly, as shown and described.

DESCRIPTION

FIG. 1 is a front perspective view of a first construction of a battery pack carriage assembly.
FIG. 2 is a front view of the battery pack carriage assembly of FIG. 1.
FIG. 3 is a rear view of the battery pack carriage assembly of FIG. 1.
FIG. 4 is a left side view of the battery pack carriage assembly of FIG. 1.
FIG. 5 is a right side view of the battery pack carriage assembly of FIG. 1.
FIG. 6 is a top view of the battery pack carriage assembly of FIG. 1.
FIG. 7 is a bottom view of the battery pack carriage assembly of FIG. 1.
FIG. 8 is a front perspective view of the battery pack carriage assembly of FIG. 1 within a blower; and,
FIG. 9 is a front perspective view of the battery pack carriage assembly of FIG. 1 within a battery pack charger.
The ornamental design which is claimed is shown in solid lines in the drawings. The portions of the design shown in broken lines are included for the purpose of illustrating environment and form no part of the claimed design.

1 Claim, 9 Drawing Sheets



(56)

References Cited

U.S. PATENT DOCUMENTS

D694,180	S	*	11/2013	Inskip	D13/107
D699,180	S	*	2/2014	Sweere	D13/103
D706,217	S	*	6/2014	McKune	D13/110
D716,727	S	*	11/2014	Oyadomari	D13/110
D716,728	S	*	11/2014	Oyadomari	D13/110
D719,095	S	*	12/2014	Oota	D13/103
D723,506	S	*	3/2015	Aglassinger	D14/188
D725,031	S	*	3/2015	Tinius	D13/103
D732,537	S	*	6/2015	Kostrzewski	D14/435
D733,144	S	*	6/2015	Kostrzewski	D14/435
D735,701	S	*	8/2015	Maxam	D14/240
D742,817	S	*	11/2015	Lammers-Meis	D13/103
D745,080	S	*	12/2015	Masano	D16/237

OTHER PUBLICATIONS

“Wasabi Power Battery Charger.” Accessed: Dec. 15, 2015. Amazon. <http://www.amazon.com/Wasabi-Power-NP-FM55H-NP->

FM500H-Cyber-shot/dp/B0011ZCCCW/ref=sr_1_1?s=electronics&ie=UTF8&qid=1450367306&sr=1-1&keywords=wasabi+power+battery+charger+for+Sony+NP-FM30.*
 “Lucent 108386921 Lucent 40 B Battery Charger/ Radio Phone Base.” Recycled Goods. Dec. 15, 2015. <http://www.recycledgoods.com/lucent-108386921-lucent-40b-battery-charger-radio-phone-base.html>.
 “Genie 37845R.S Screw Drive Carriage Assembly.” Accessed: Dec. 15, 2015. Overhead Door Parts Canada. <http://shop.overhead-doorparts.ca/Genie-37845RS-Screw-Drive-Carriage-Assembly-Genie-37845RS.htm>.
 “Ryobi 36V Brushless Blower Vacuum.” Accessed: Dec. 17, 2015. Good Design. <https://www.good-design.com/entry/ryobi-36v-brushless-blower-vacuum/>.
 “Rigid GEN5X 18V Jobsite Blower Review.” First Comment: Oct. 3, 2015. Pro Tool Reviews. <http://www.protoolreviews.com/tools/outdoor-equipment/ridgid-gen5x-18v-jobsite-blower/18629/>.

* cited by examiner

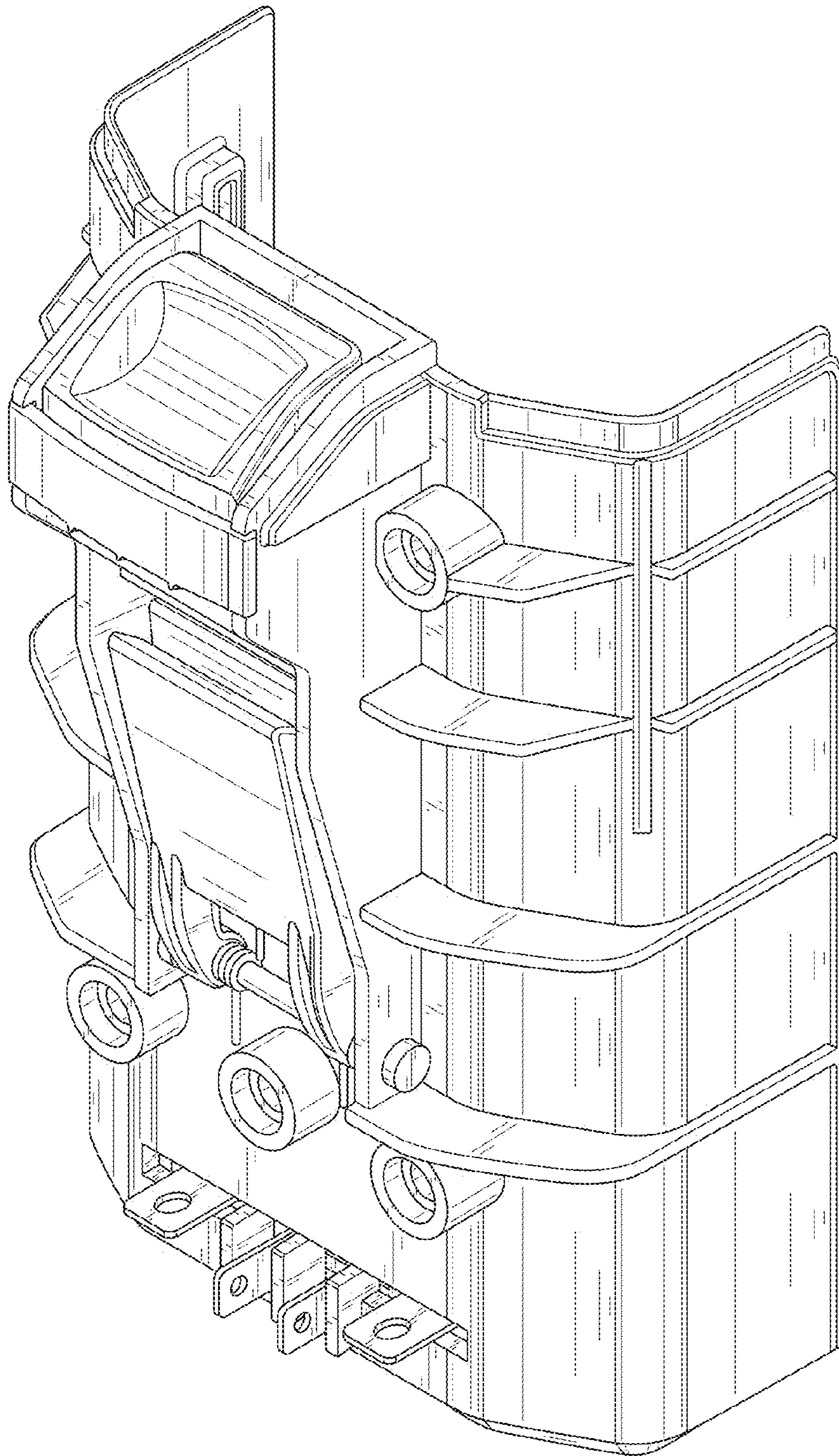


FIG. 1

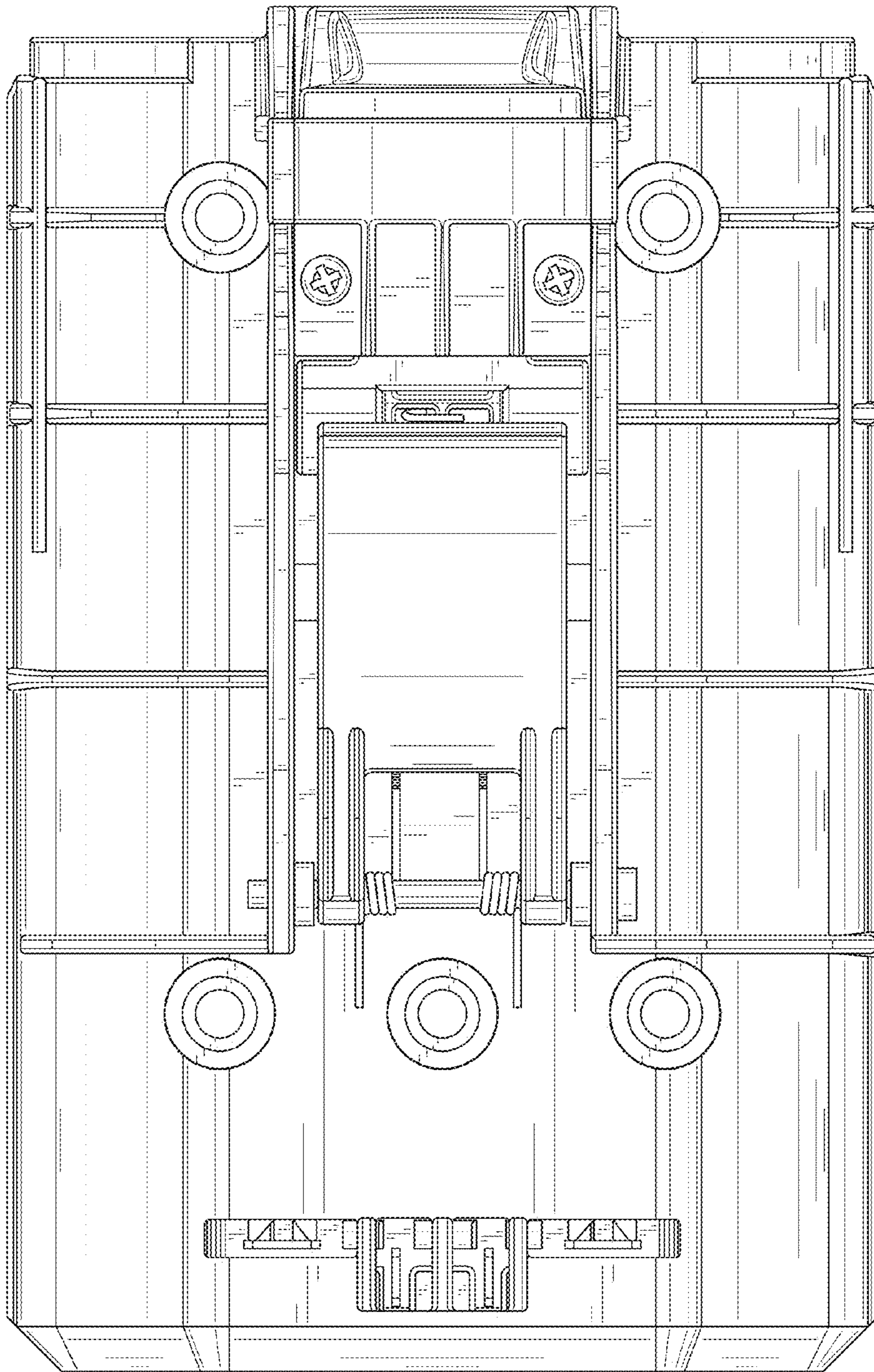


FIG. 2

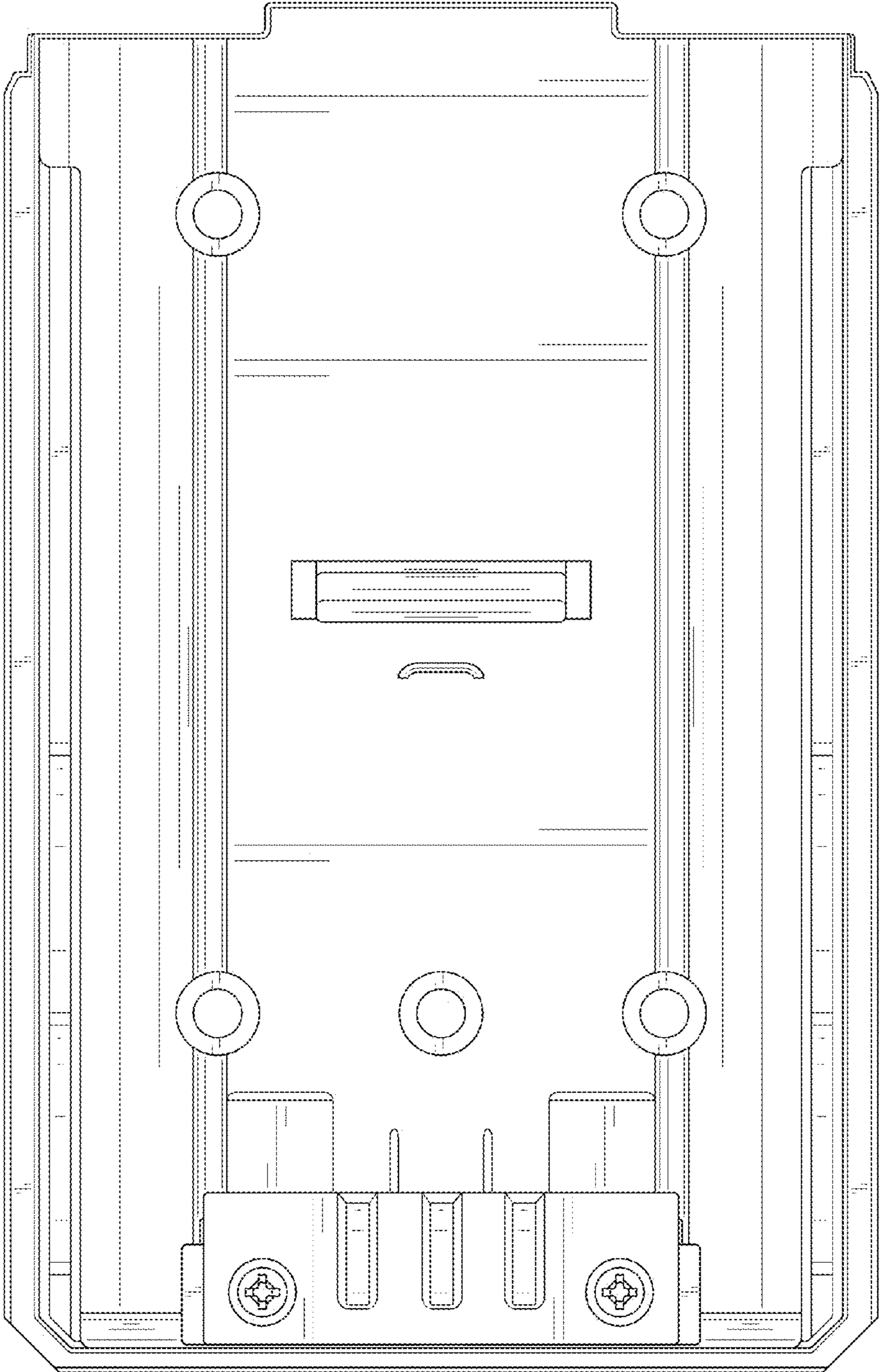


FIG. 3

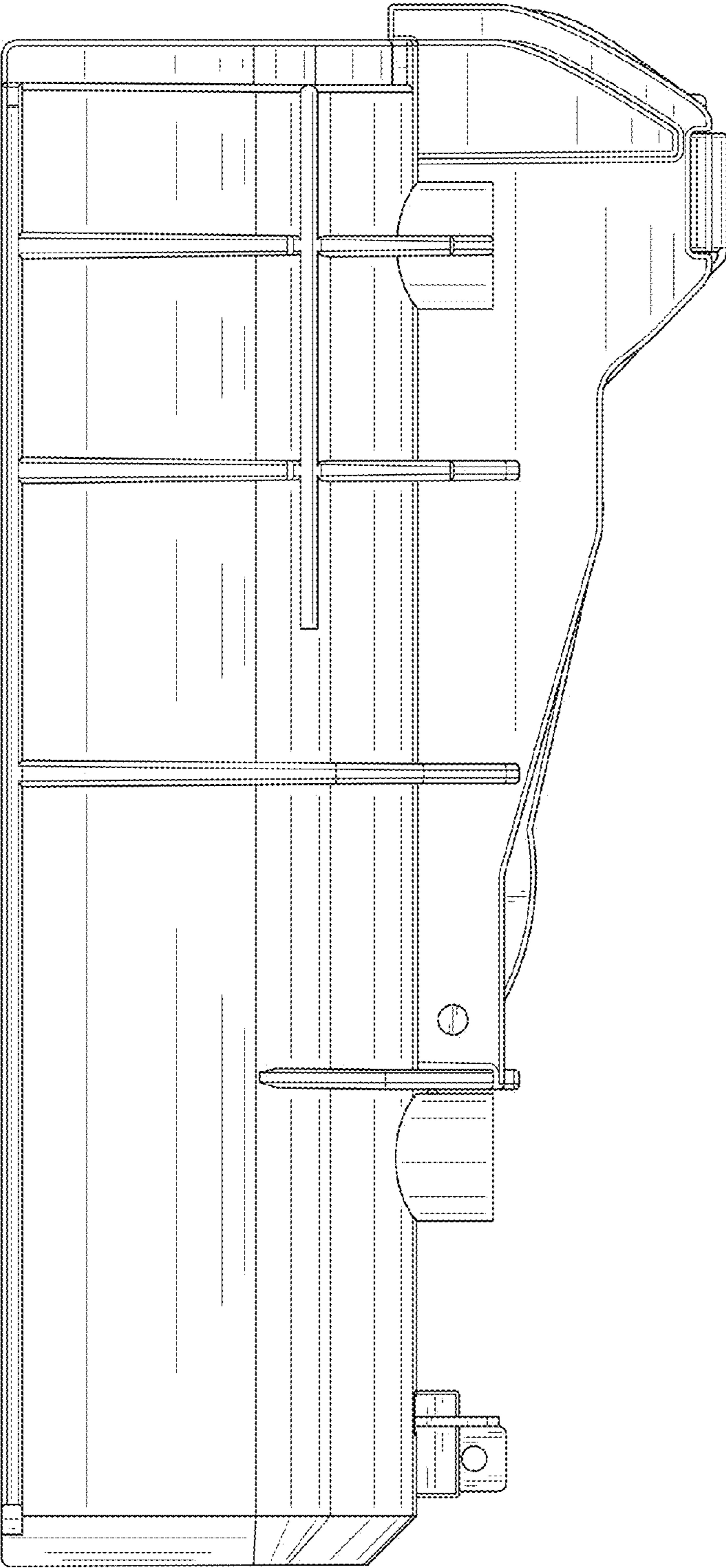


FIG. 4

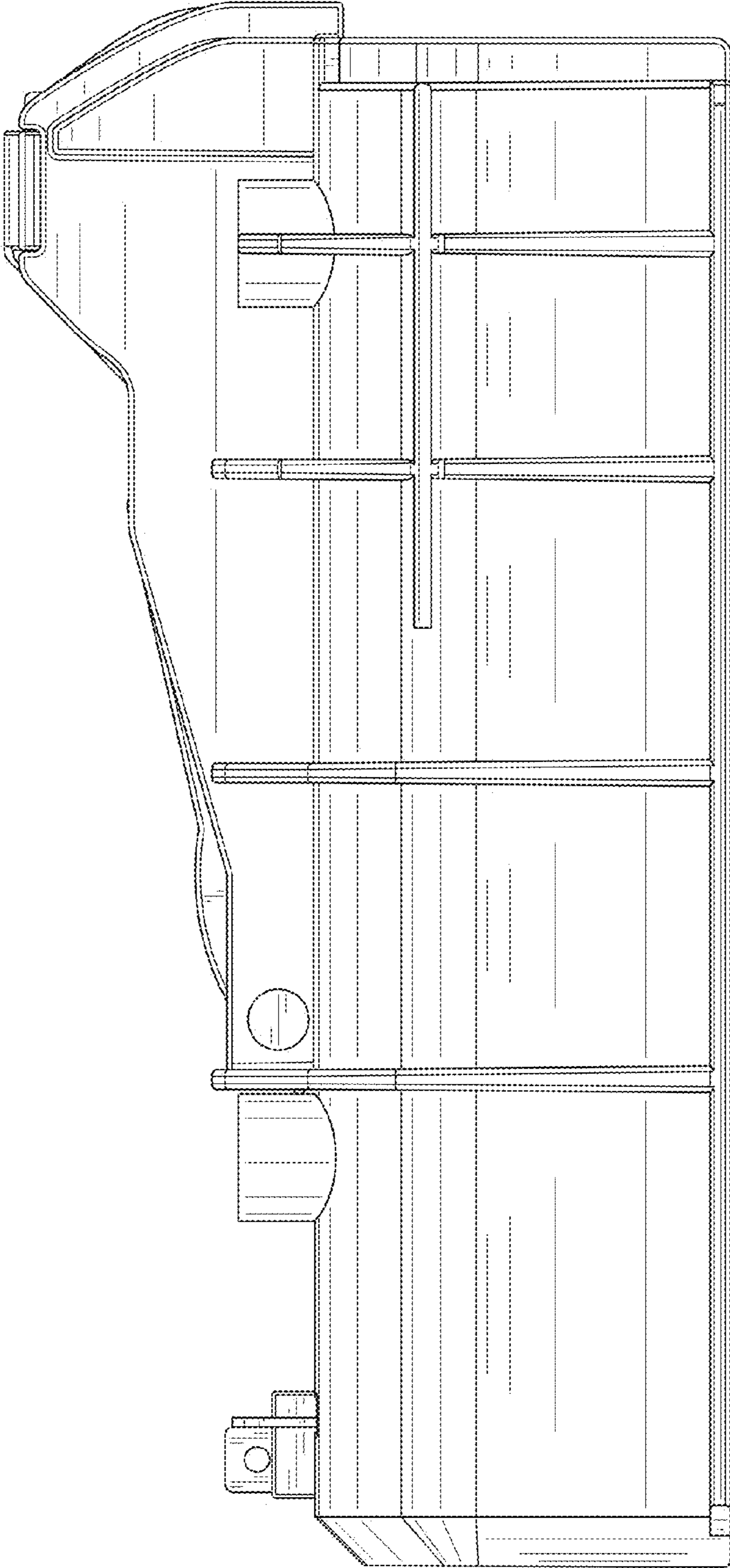


FIG. 5

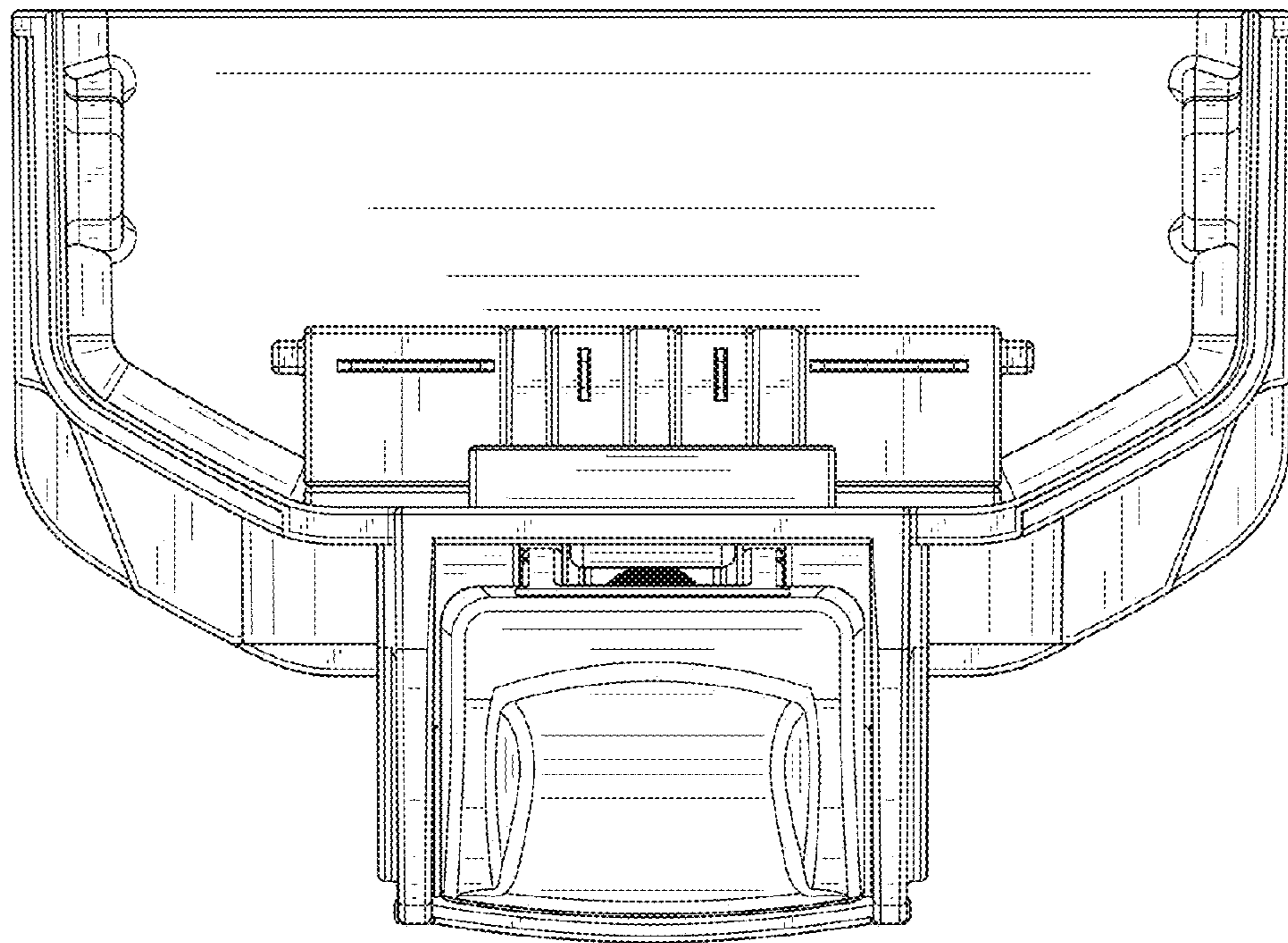


FIG. 6

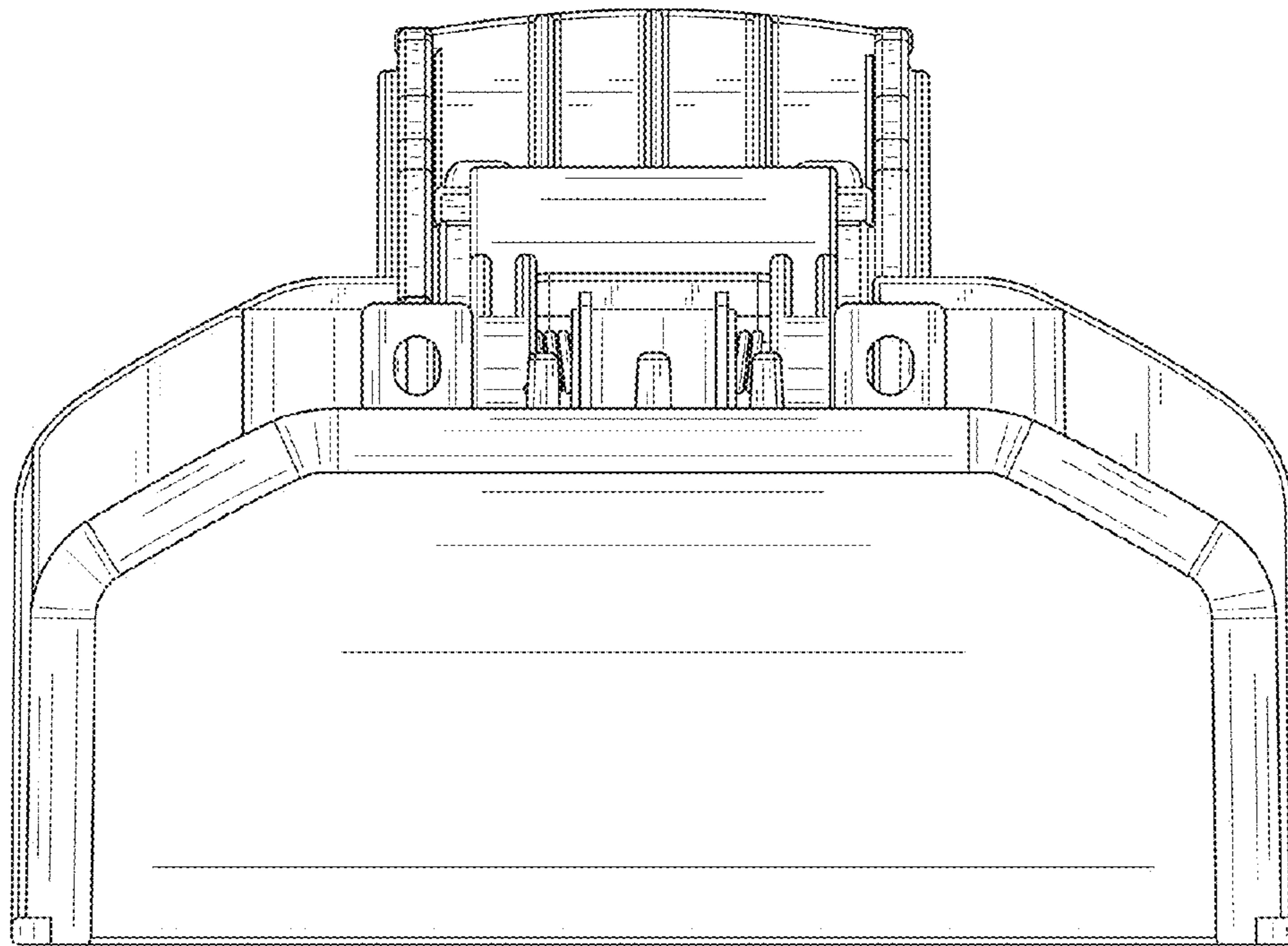


FIG. 7

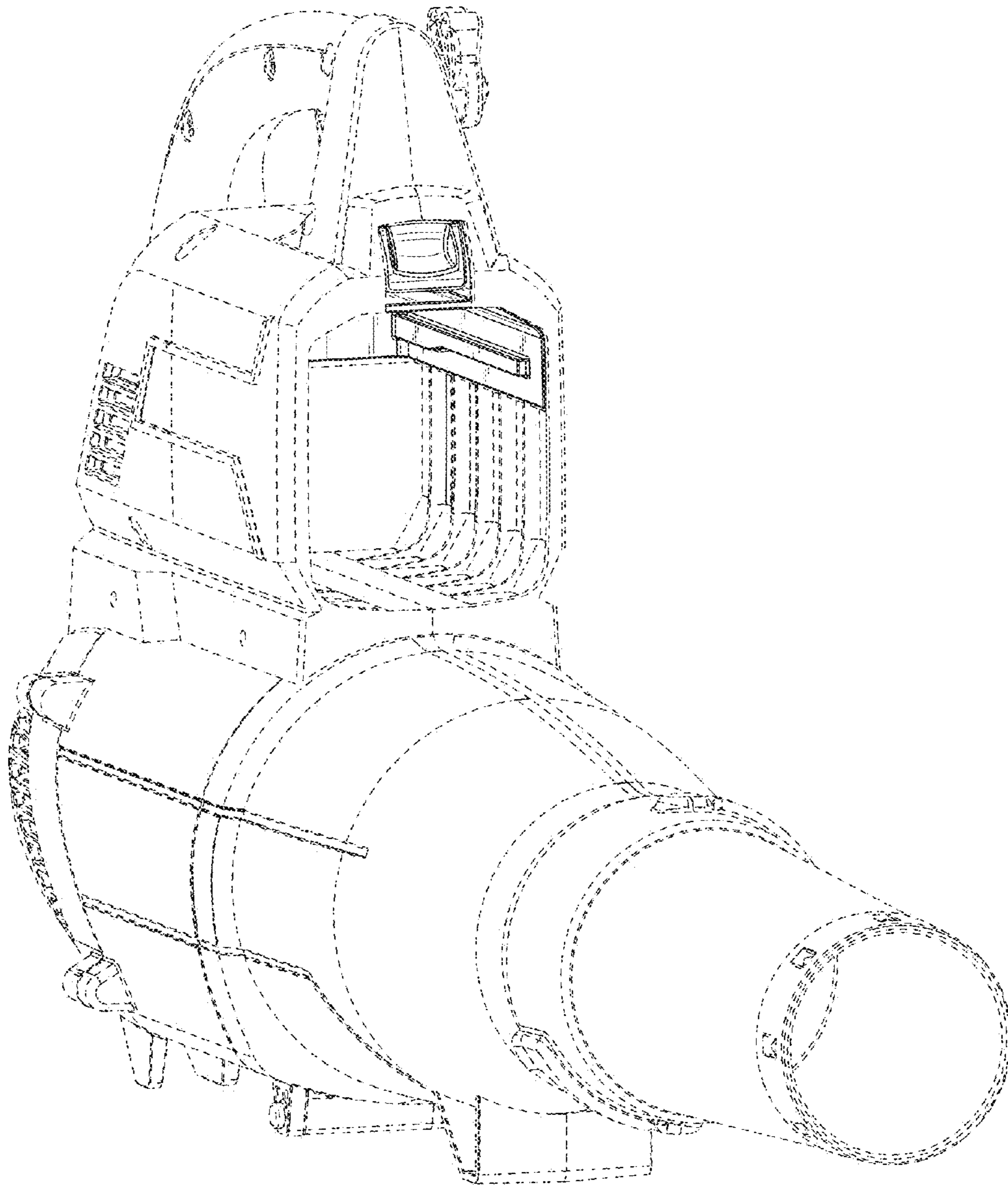


FIG. 8

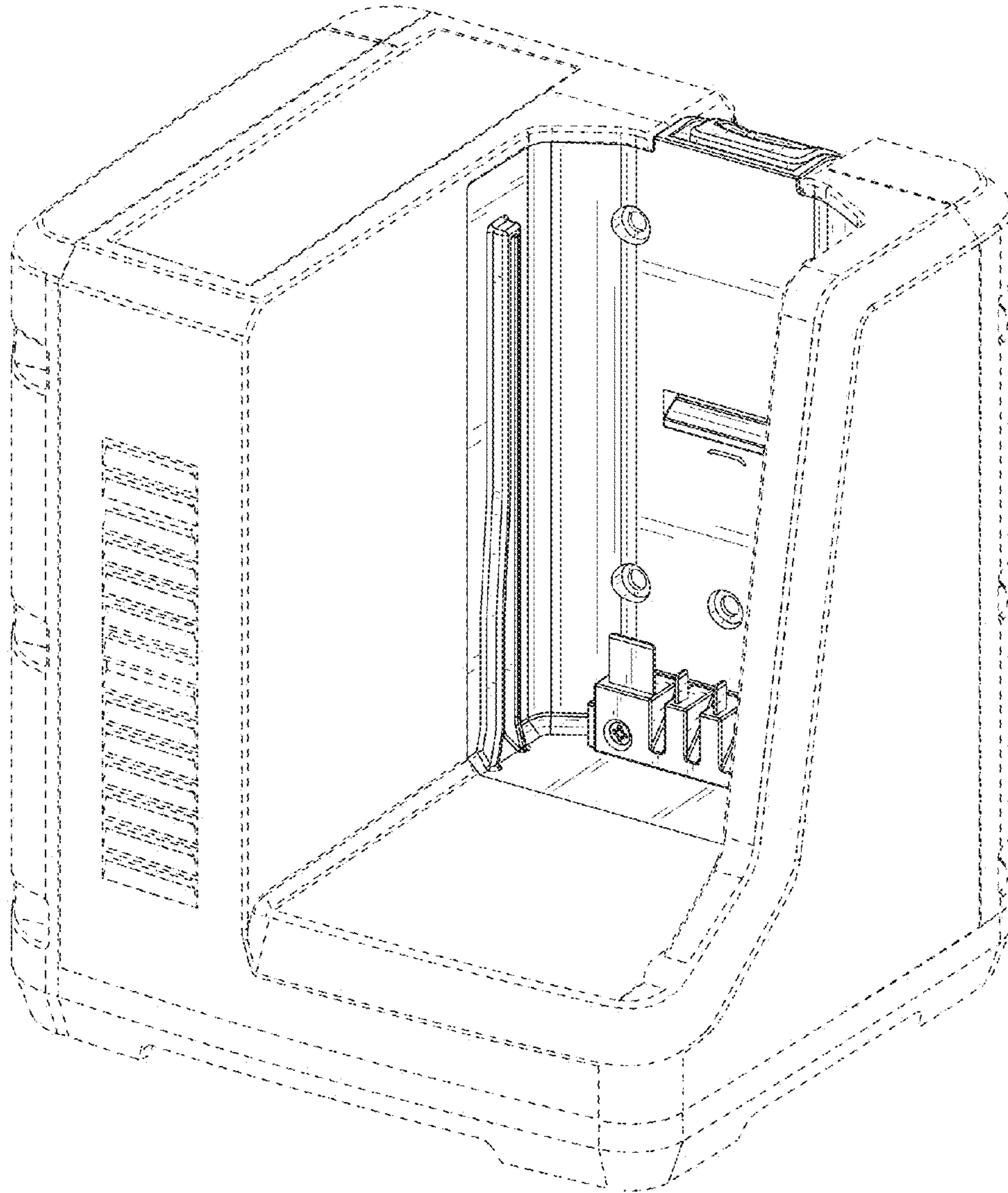


FIG. 9