



US00D764399S

(12) **United States Design Patent**
Yamaguchi

(10) **Patent No.:** **US D764,399 S**

(45) **Date of Patent:** **** Aug. 23, 2016**

(54) **AUTOMOBILE TIRE**

(71) Applicant: **THE YOKOHAMA RUBBER CO., LTD.**, Minato-ku, Tokyo (JP)

(72) Inventor: **Yukihito Yamaguchi**, Hiratsuka (JP)

(73) Assignee: **THE YOKOHAMA RUBBER CO., LTD.**, Minato-ku, Tokyo (JP)

(**) Term: **14 Years**

(21) Appl. No.: **29/510,340**

(22) Filed: **Nov. 26, 2014**

(30) **Foreign Application Priority Data**

May 29, 2014 (JP) 2014-011508

(51) **LOC (10) Cl.** **12-15**

(52) **U.S. Cl.**
USPC **D12/603**

(58) **Field of Classification Search**
USPC D12/568-603
CPC B60C 5/00; B60C 11/04; B60C 11/11;
B60C 11/13; B60C 11/12; B60C 2011/1213;
B60C 11/03
See application file for complete search history.

(56) **References Cited**

U.S. PATENT DOCUMENTS

D499,695 S * 12/2004 Tanabe D12/603
D512,017 S * 11/2005 Ochi D12/603
D602,426 S * 10/2009 Yoda D12/603
2006/0037684 A1 * 2/2006 Vervaeet B60C 11/0302
152/209.24

OTHER PUBLICATIONS

Co-pending U.S. Appl. No. 29/510,335.
Co-pending U.S. Appl. No. 29/510,350.

Co-pending U.S. Appl. No. 29/510,353.
Co-pending U.S. Appl. No. 29/510,360.
Co-pending U.S. Appl. No. 29/510,362.
Co-pending U.S. Appl. No. 29/510,367.
Co-pending U.S. Appl. No. 29/510,371.
Co-pending U.S. Appl. No. 29/510,375.

* cited by examiner

Primary Examiner — George D Kirschbaum
Assistant Examiner — Jennifer Watkins
(74) *Attorney, Agent, or Firm* — Banner & Witcoff, Ltd.

(57) **CLAIM**

The ornamental design for an automobile tire, as shown and described.

DESCRIPTION

FIG. 1 is a perspective view of an automobile tire showing my new design;
FIG. 2 is a front view thereof;
FIG. 3 is a rear view thereof;
FIG. 4 is a left side view thereof;
FIG. 5 is a right side view thereof;
FIG. 6 is a top view thereof;
FIG. 7 is a bottom view thereof;
FIG. 8 is a partially enlarged view of a portion defined by lines 8-8 shown in FIG. 1;
FIG. 9 is a partially enlarged view of a portion defined by lines 9-9 shown in FIG. 2; and,
FIG. 10 is a cross sectional view of a portion defined by lines 10-10 shown in FIG. 9.
In the drawings, the evenly dashed broken lines defining the sidewall and inner bead depict portions of an automobile tire and form no part of the claim. The unevenly dashed broken line in the figures is for the purpose of depicting the peripheral boundary between the claimed tire tread and the unclaimed sidewall and form no part of the claim.

1 Claim, 10 Drawing Sheets

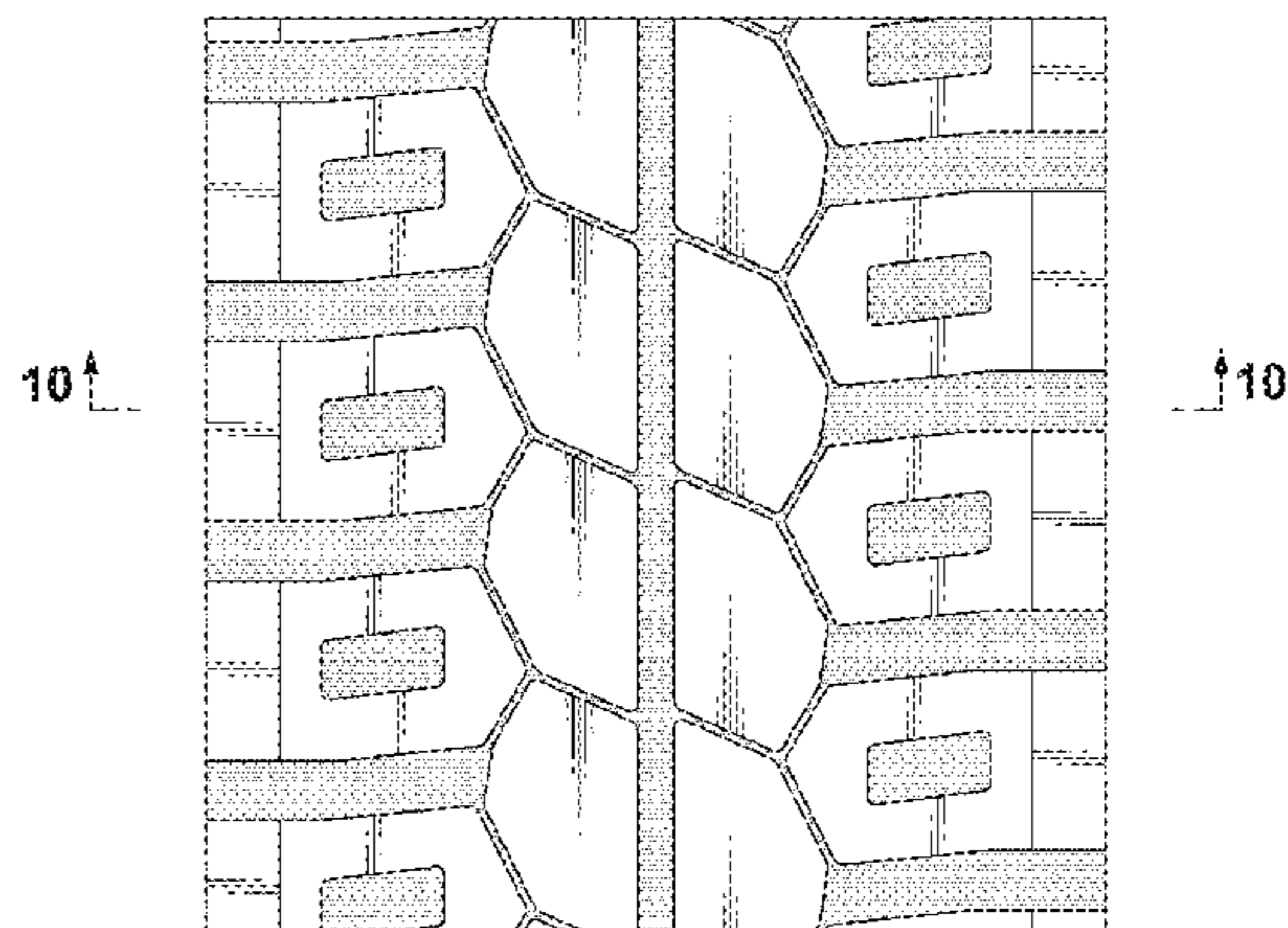
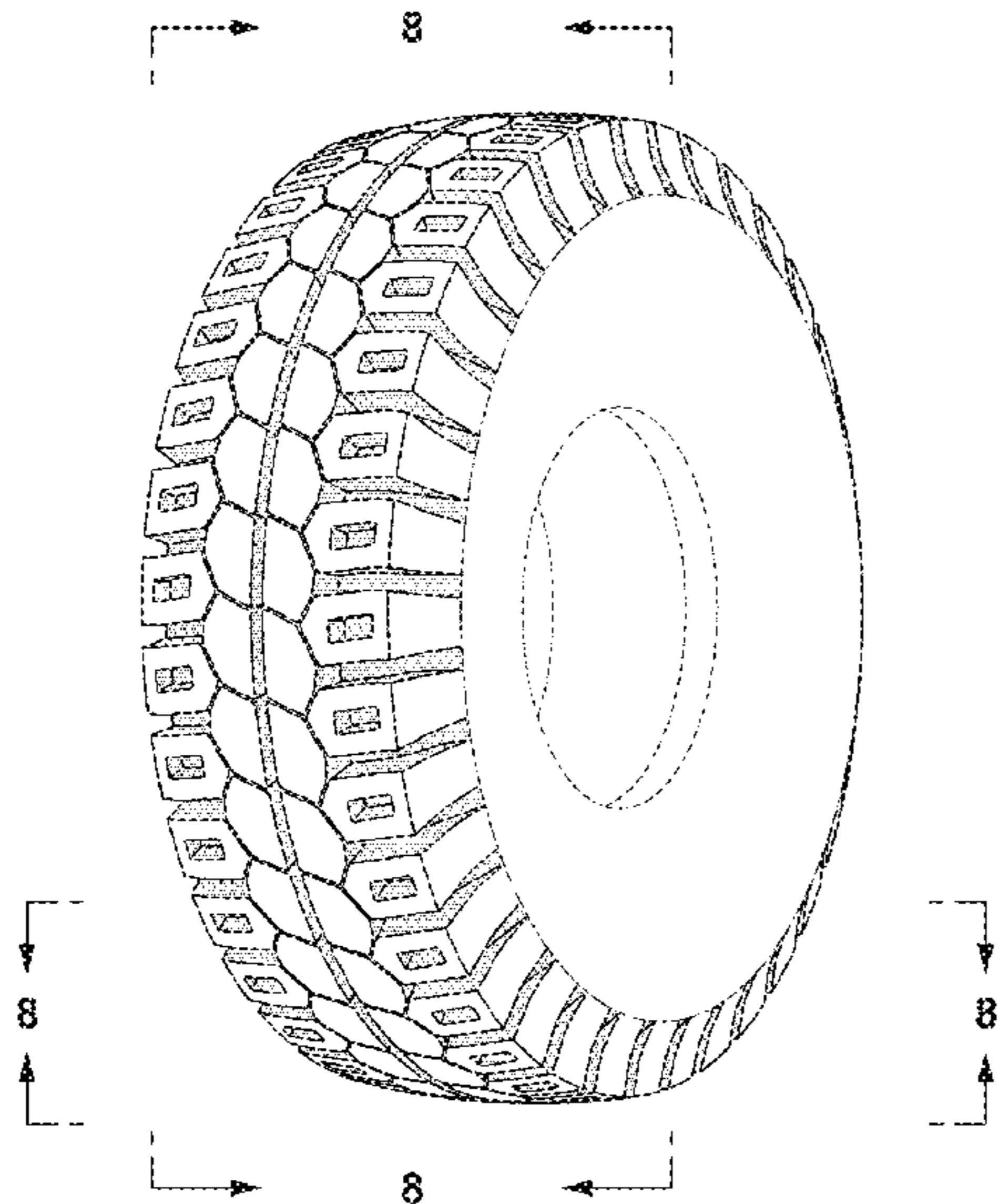


FIG. 1

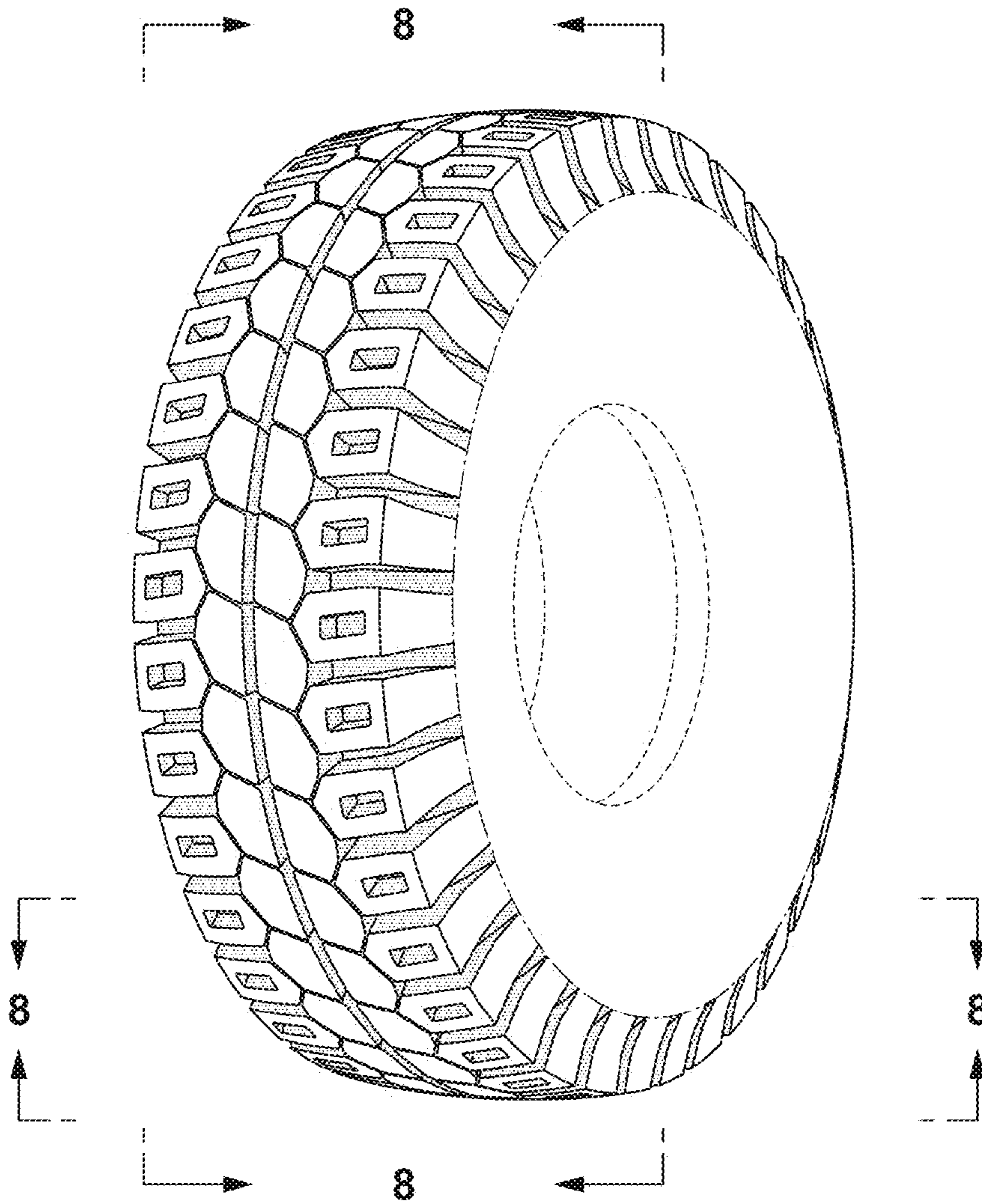


FIG. 2

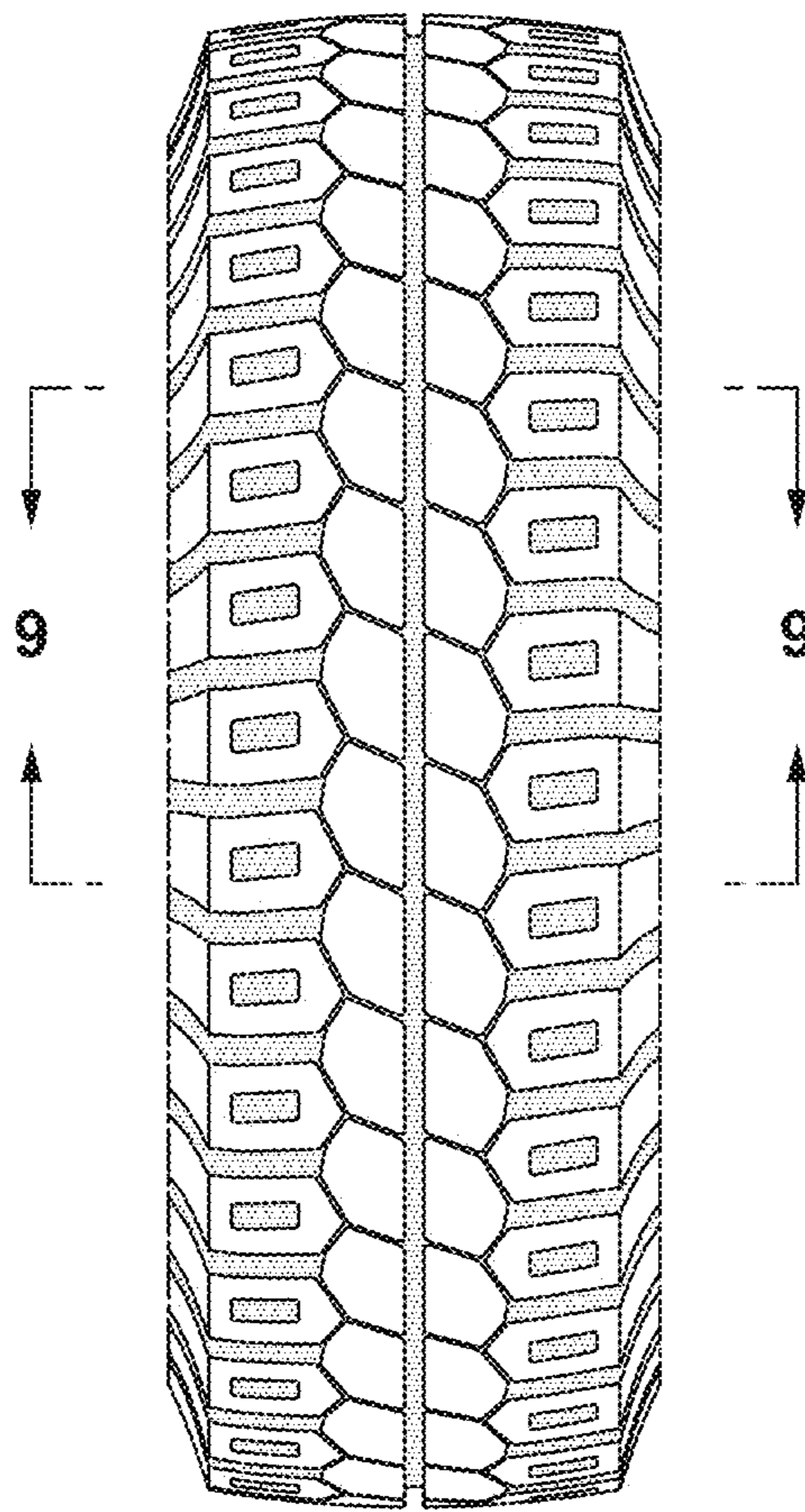


FIG. 3

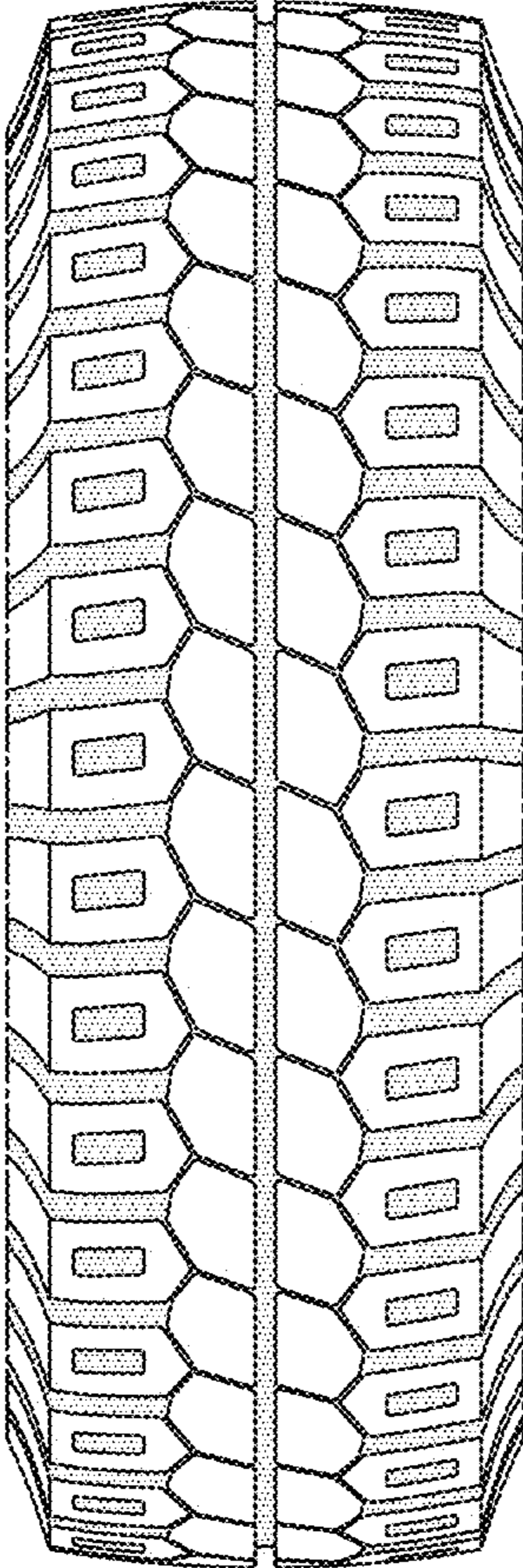


FIG. 4

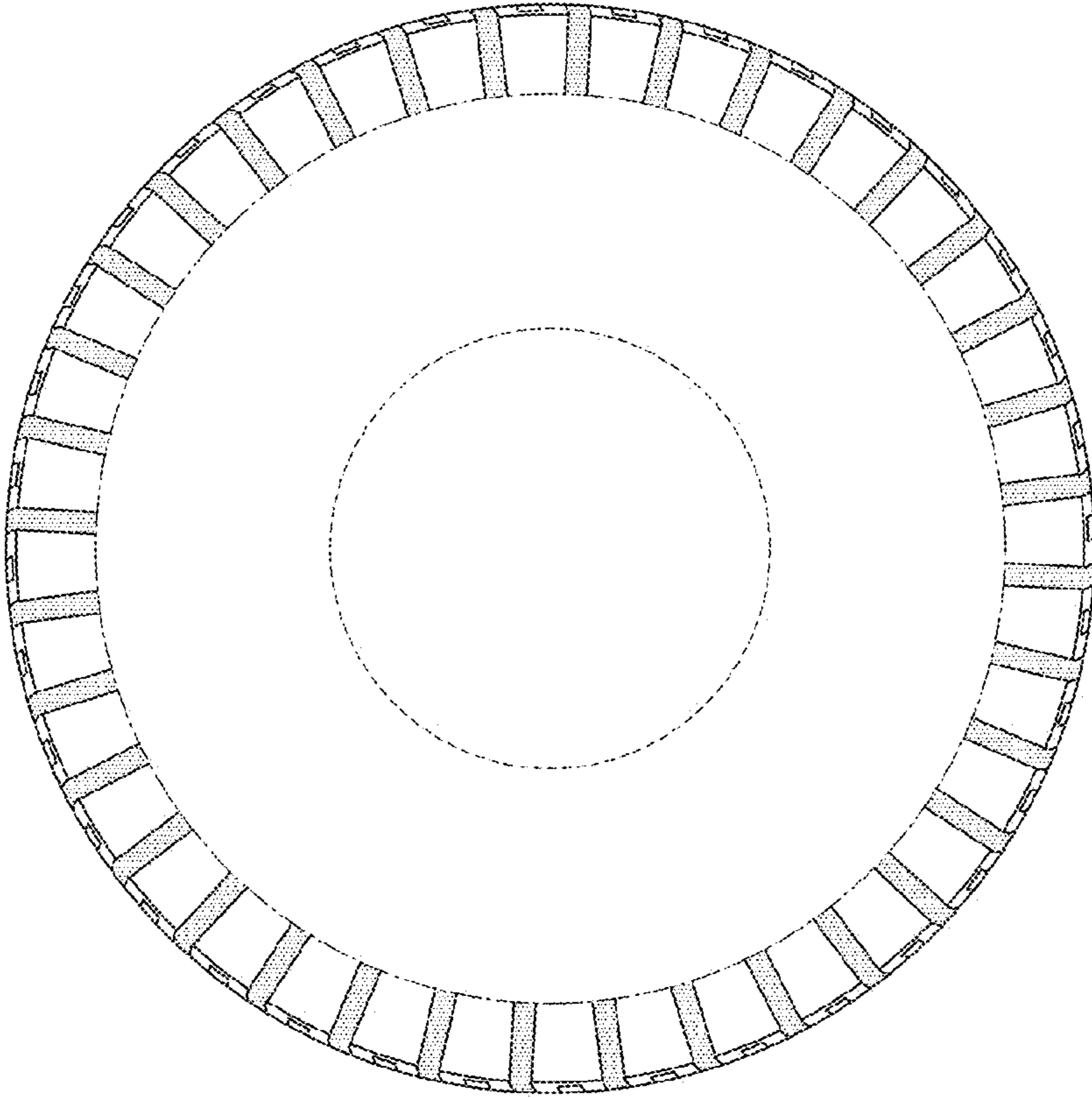


FIG. 5

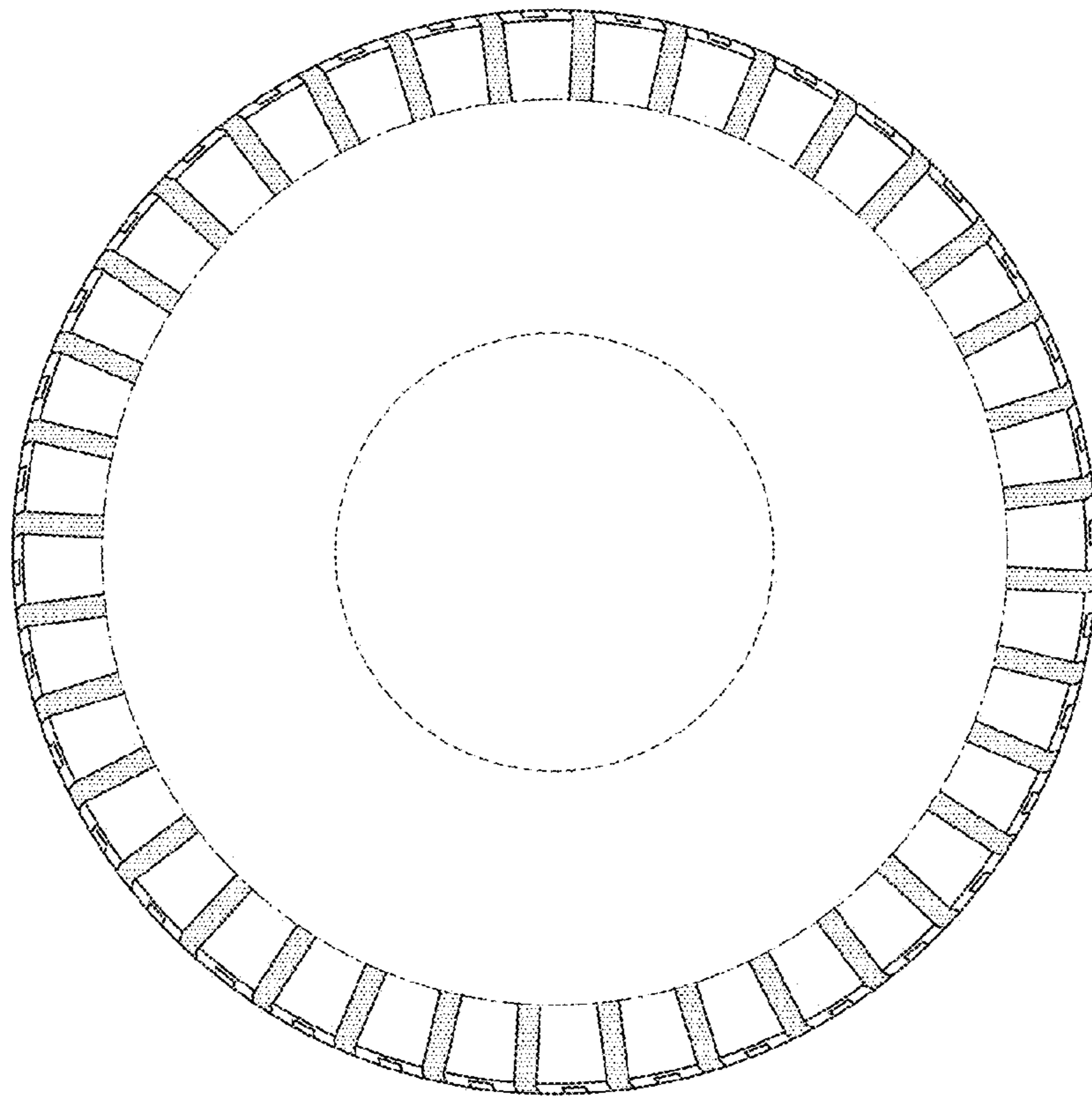


FIG. 6

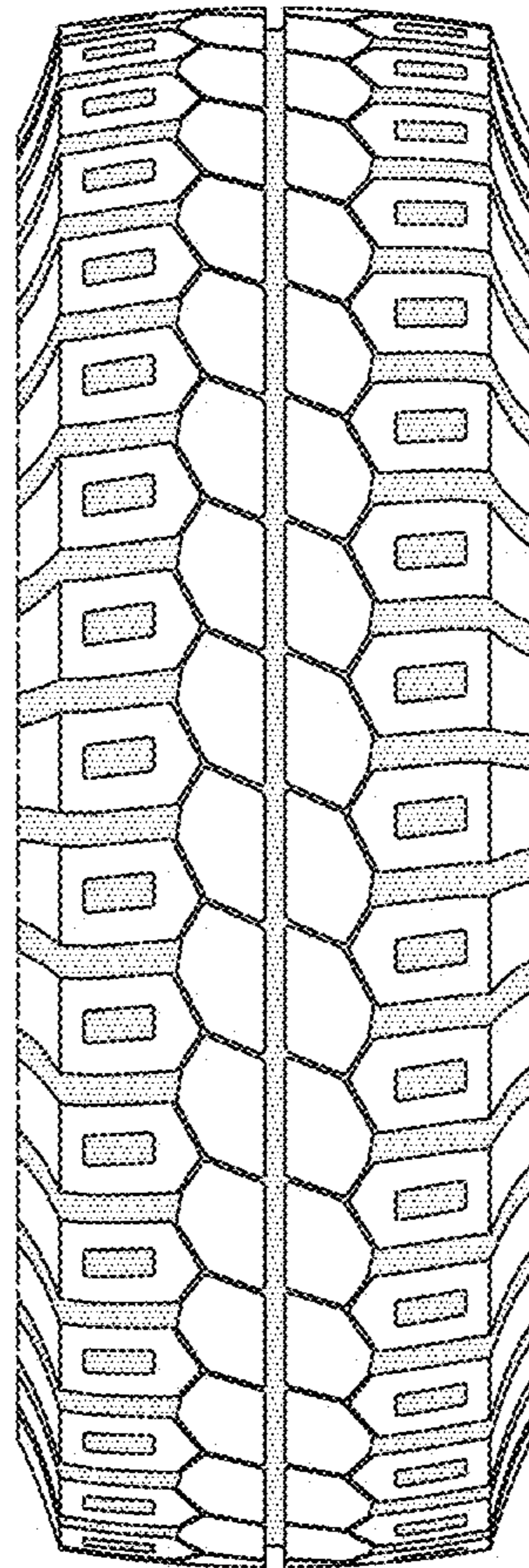


FIG. 7

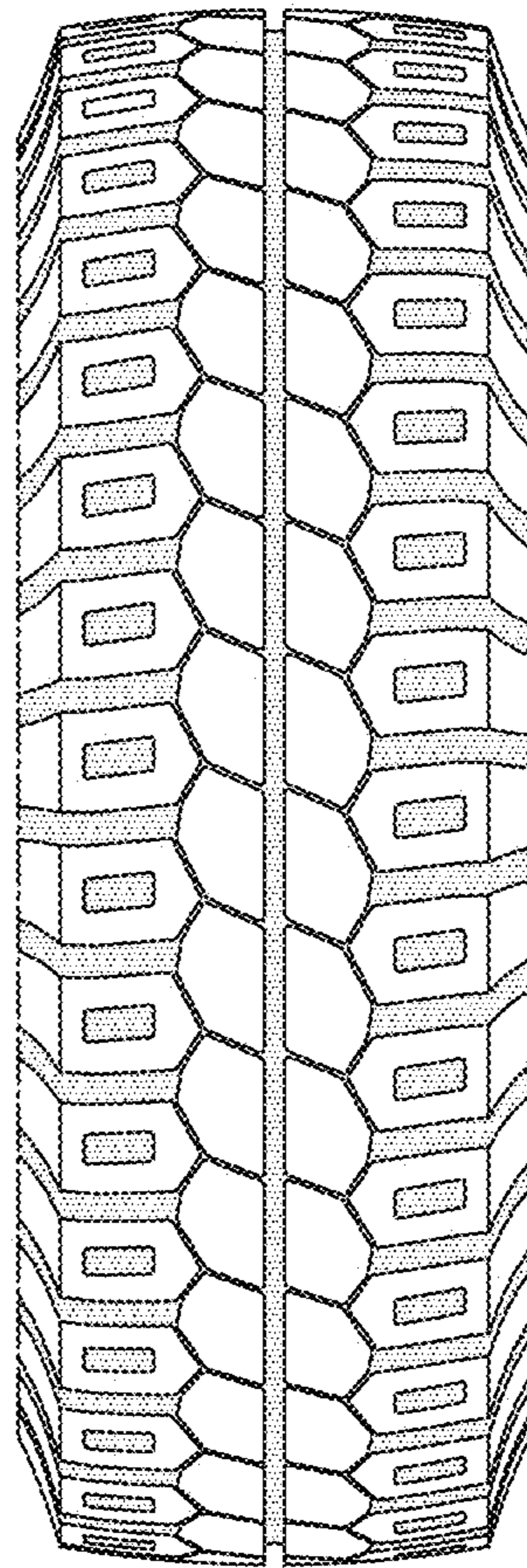


FIG. 8

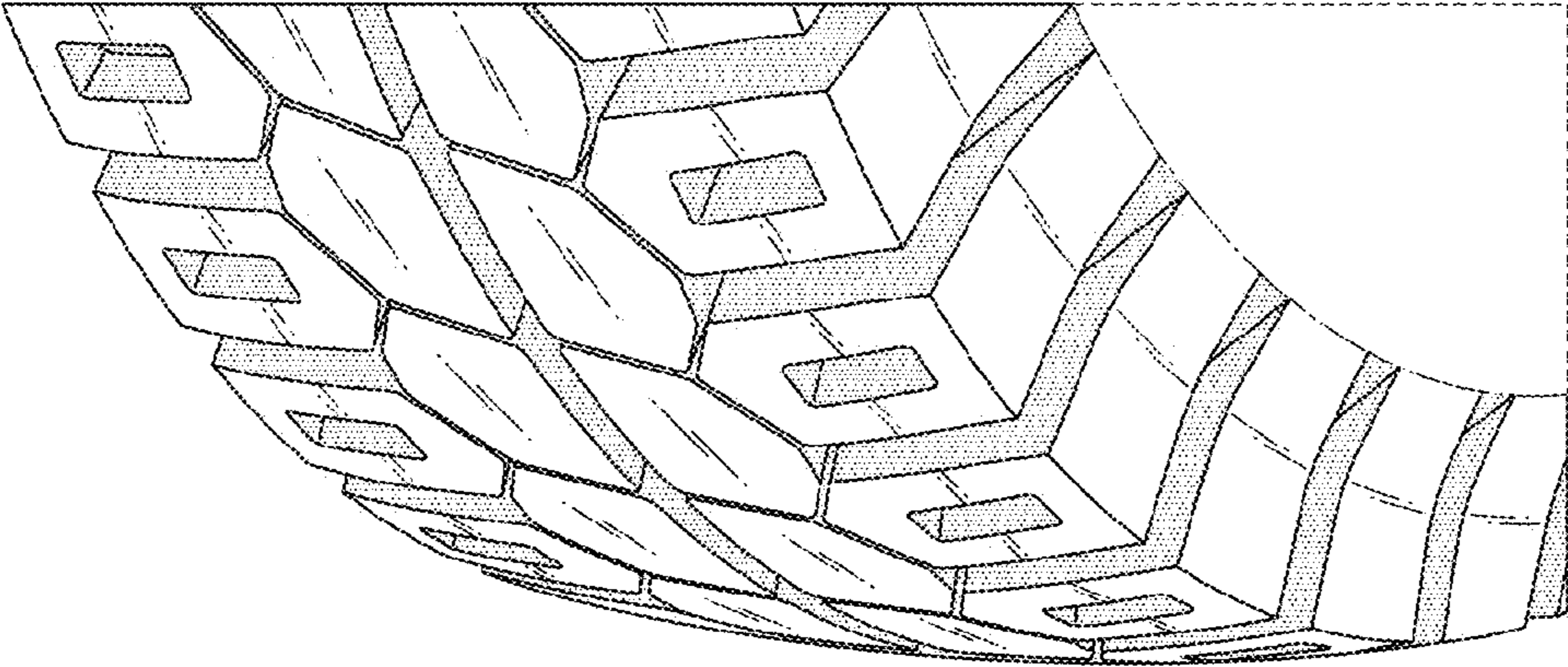


FIG. 9

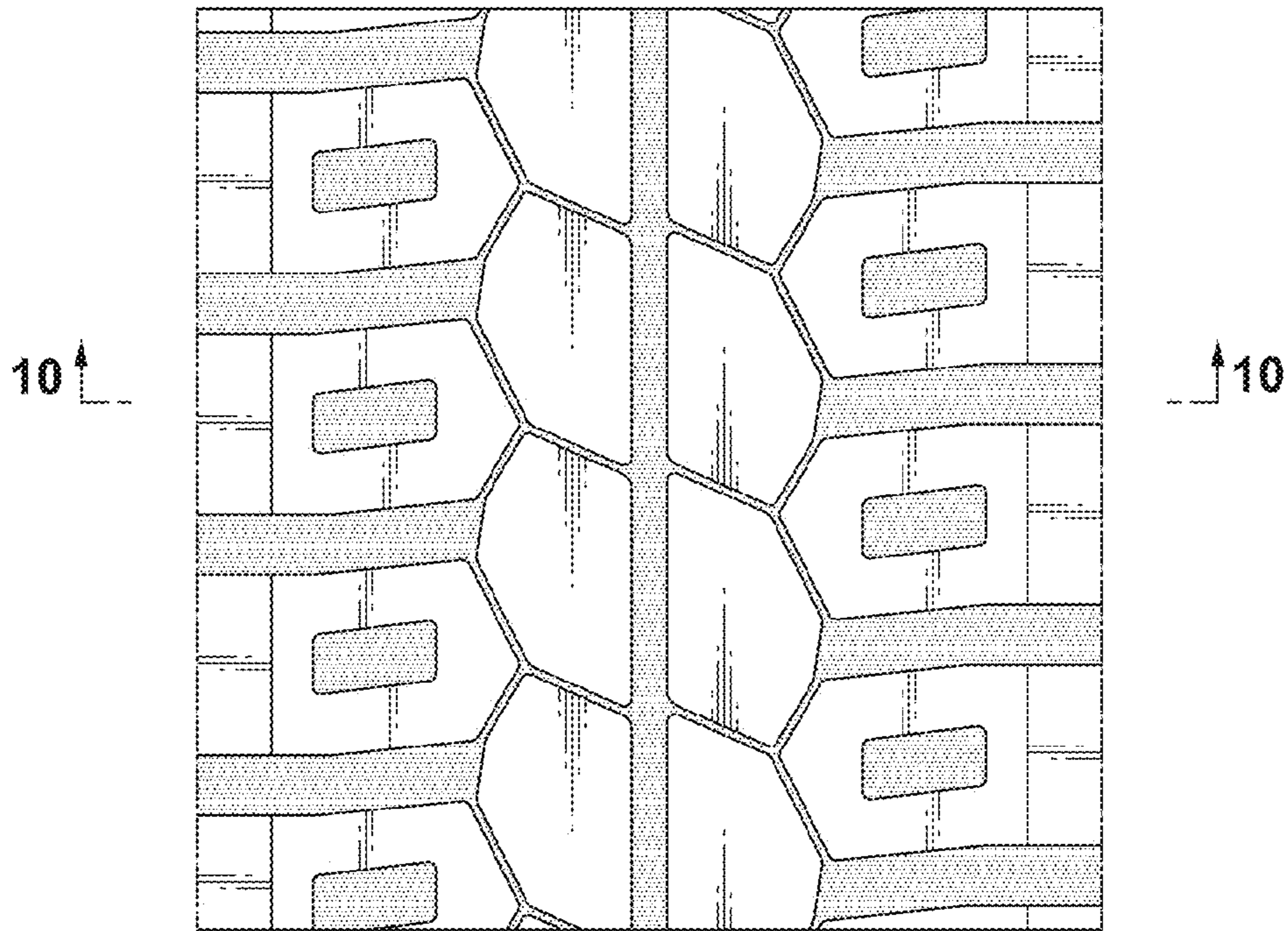


FIG. 10

