



US00D764389S

(12) **United States Design Patent**  
**Thieman**

(10) **Patent No.:** **US D764,389 S**  
(45) **Date of Patent:** **\*\* Aug. 23, 2016**

(54) **TIRE TREAD**

(71) Applicant: **Kurt A. Thieman**, Findlay, OH (US)

(72) Inventor: **Kurt A. Thieman**, Findlay, OH (US)

(73) Assignee: **COOPER TIRE & RUBBER COMPANY**, Findlay, OH (US)

(\*\*) Term: **14 Years**

(21) Appl. No.: **29/503,529**

(22) Filed: **Sep. 26, 2014**

(51) **LOC (10) Cl.** ..... **12-15**

(52) **U.S. Cl.**  
USPC ..... **D12/564**

(58) **Field of Classification Search**  
USPC ..... 152/5, 151, 152.1, 167, 208,  
152/209.1-209.28, 246, 450, 526, 527, 532,  
152/535, 538, 541; D12/145, 500-605,  
D12/900-901  
CPC ..... B60C 11/00-11/246; B60C 2011/0337;  
B60C 2011/0339; B60C 2011/0386; B60C  
3/00-3/08; B60C 1/00; B60C 2200/00;  
B60C 2200/02; B60C 2200/04; B60C  
2200/06; B60C 2200/065; B60C 2200/08;  
B60C 2200/10; B60C 2200/12; B60C  
2200/14; B60C 7/00; B60C 7/02; B60C 7/04;  
B60C 7/06; B60C 7/08; B60C 5/00; B60C  
13/00

See application file for complete search history.

(56) **References Cited**

**U.S. PATENT DOCUMENTS**

D381,607 S *	7/1997	Attinello	.....	D12/581
D382,236 S *	8/1997	Kakegawa	.....	D12/603
D403,632 S *	1/1999	Guspodin	.....	D12/603
D403,994 S	1/1999	Williams		
D415,451 S	10/1999	Weber et al.		
D427,950 S	7/2000	Miller et al.		
6,311,748 B1 *	11/2001	Boiocchi	.....	B60C 11/0302 152/209.2

D455,395 S *	4/2002	Blankenship	.....	D12/588
D471,860 S *	3/2003	Murata	.....	D12/584
D494,922 S *	8/2004	Kindig	.....	D12/603
D497,876 S	11/2004	Williams		
D498,205 S	11/2004	Young et al.		
D571,715 S	6/2008	Ashton et al.		
D588,984 S	3/2009	Lee		
D598,365 S	8/2009	Tagashira		
D606,930 S	12/2009	Taylor et al.		
D614,121 S *	4/2010	Janesh	.....	D12/597
D615,480 S	5/2010	Jacobs		
D642,975 S *	8/2011	Givens	.....	D12/586
D668,207 S	10/2012	Brown et al.		
D669,421 S	10/2012	Stuckey et al.		

(Continued)

**OTHER PUBLICATIONS**

Michelin Tires "Hatchback" from <http://www.biologyjunction.com/tire-tread-patterns.html>.

(Continued)

*Primary Examiner* — Manpreet Matharu

*Assistant Examiner* — Keith Wilson

(74) *Attorney, Agent, or Firm* — Fay Sharpe LLP

(57) **CLAIM**

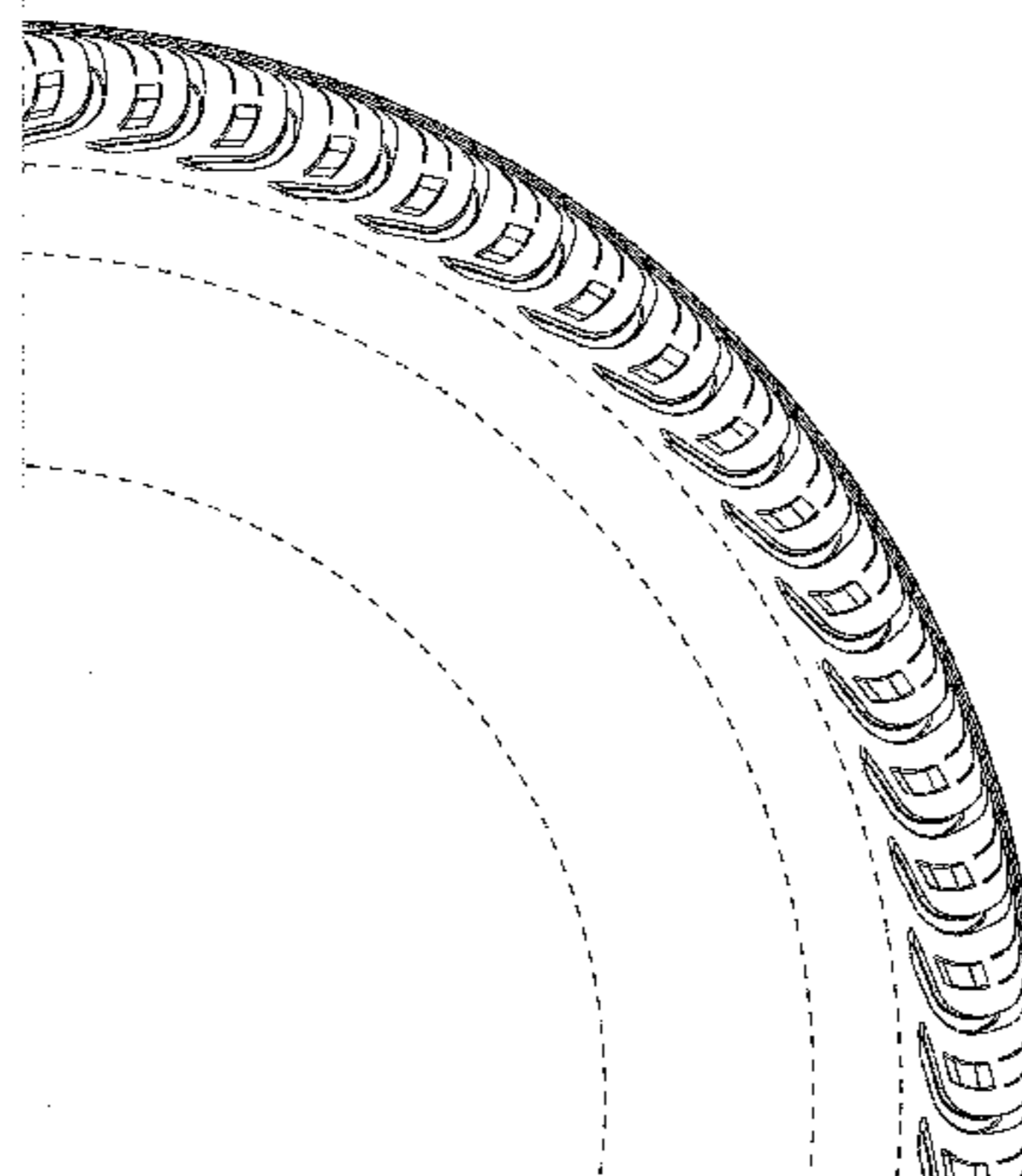
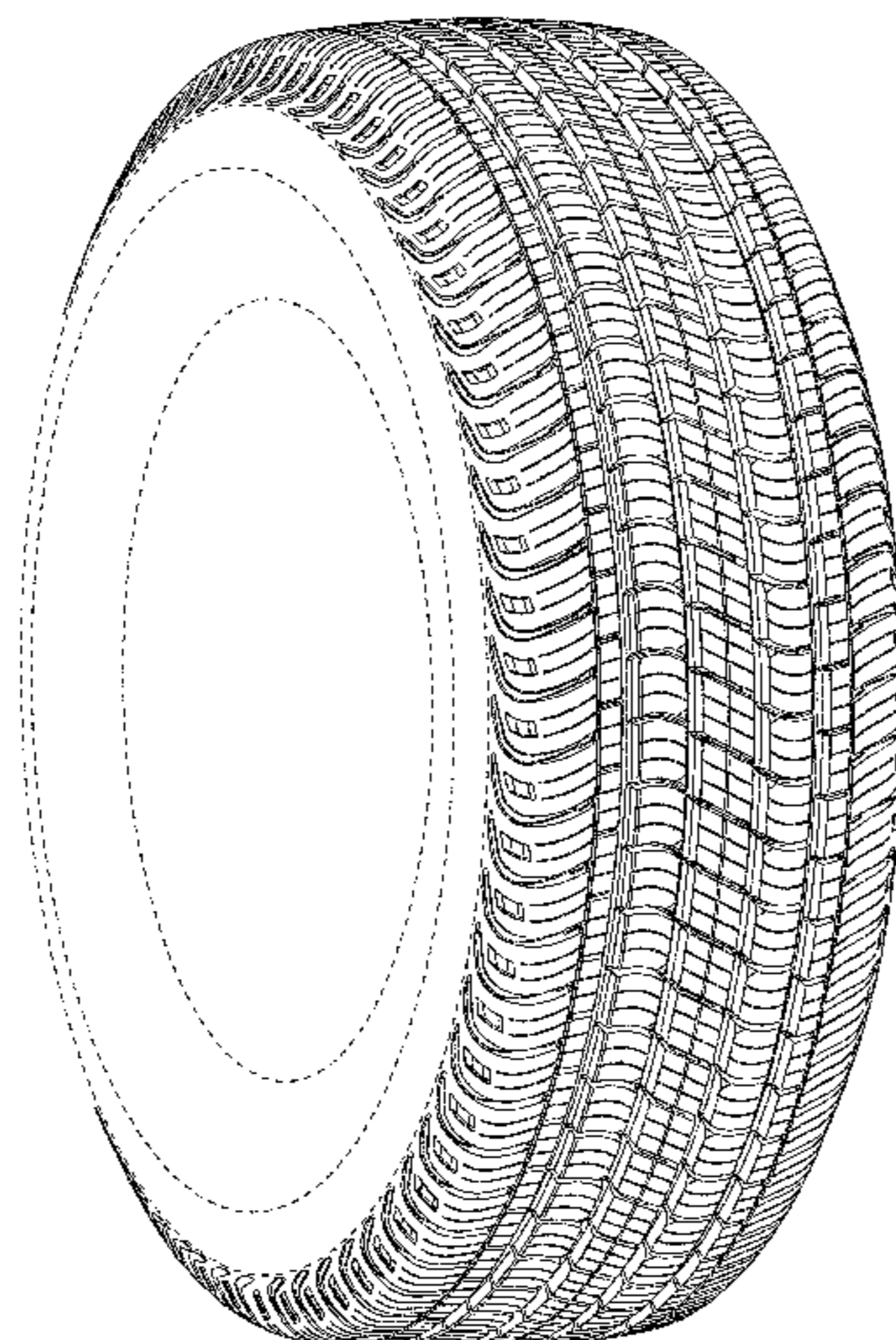
The ornamental design for a tire tread, as shown and described.

**DESCRIPTION**

FIG. 1 is a perspective view of a tire tread;  
FIG. 2 is a partial side view thereof;  
FIG. 3 is a side view thereof;  
FIG. 4 is an enlarged partial front view thereof; and,  
FIG. 5 is a front view thereof.

The broken line rectangles in FIGS. 3 and 5 depict the borders of the enlarged fragmentary views of FIGS. 2 and 4, respectively, and form no part of the claim. The broken line showings of the sidewall, inner bead, and up to the shoulder tread, and the peripheral boundary between the tire tread and the sidewall are included for the purpose of illustrating environment and form no part of the claim.

**1 Claim, 5 Drawing Sheets**



(56)

**References Cited**

U.S. PATENT DOCUMENTS

D669,843 S 10/2012 Grote  
D686,973 S 7/2013 Otani  
8,555,939 B2 10/2013 Hada  
D742,808 S \* 11/2015 Schimmoeller ..... D12/521  
D742,814 S \* 11/2015 Fleckner ..... D12/601  
2003/0205305 A1 \* 11/2003 Kuwajima ..... B60C 11/0302  
152/209.18  
2004/0069389 A1 \* 4/2004 Ratliff, Jr. .... B60C 11/0302  
152/209.15

2011/0007933 A1\* 1/2011 Lempitsky ..... G06T 17/00  
382/100

2012/0152421 A1 6/2012 Stuckey  
2013/0153100 A1 6/2013 Piffard et al.

OTHER PUBLICATIONS

FRSport.com "Tire Tread Patterns" from [http://frsport.com/Tire-Tread-Patterns\\_t\\_81.html](http://frsport.com/Tire-Tread-Patterns_t_81.html).

tirecrazy.com Hankook DYnaPro ATM RF10 from <http://tirecrazy.com/tires/hankook/dynapro-atm-rf10-p.html>.

\* cited by examiner



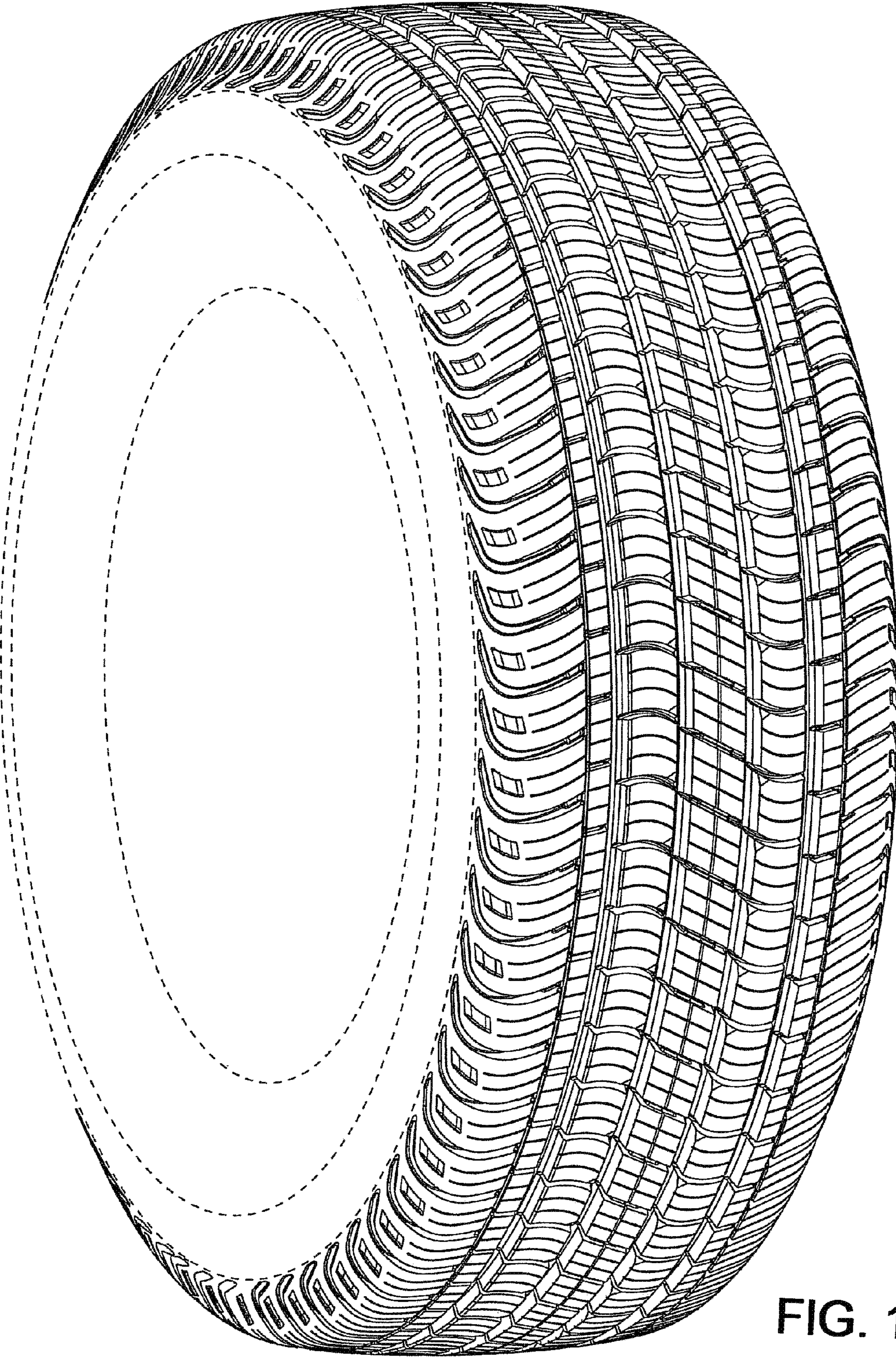


FIG. 1

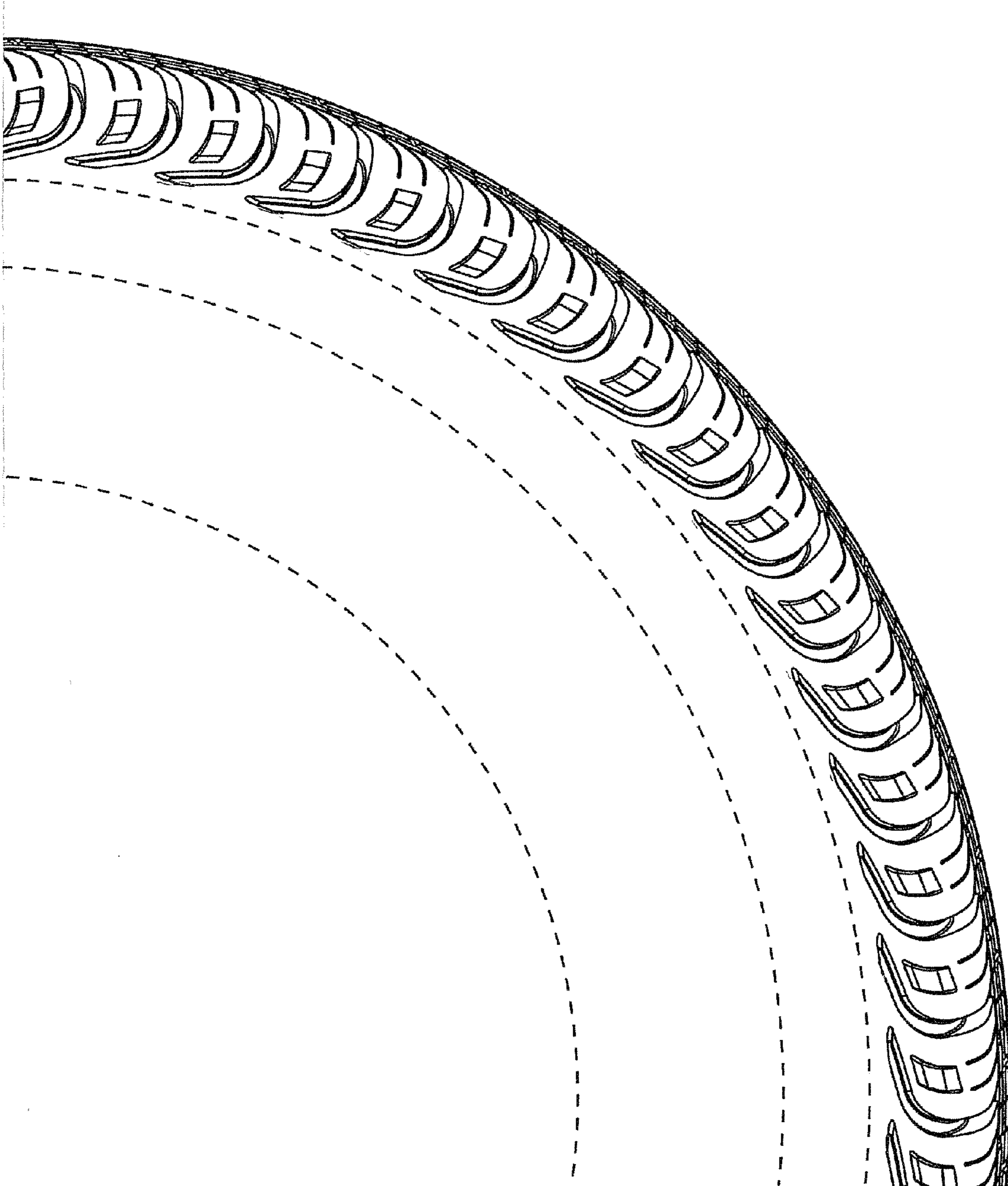


FIG. 2



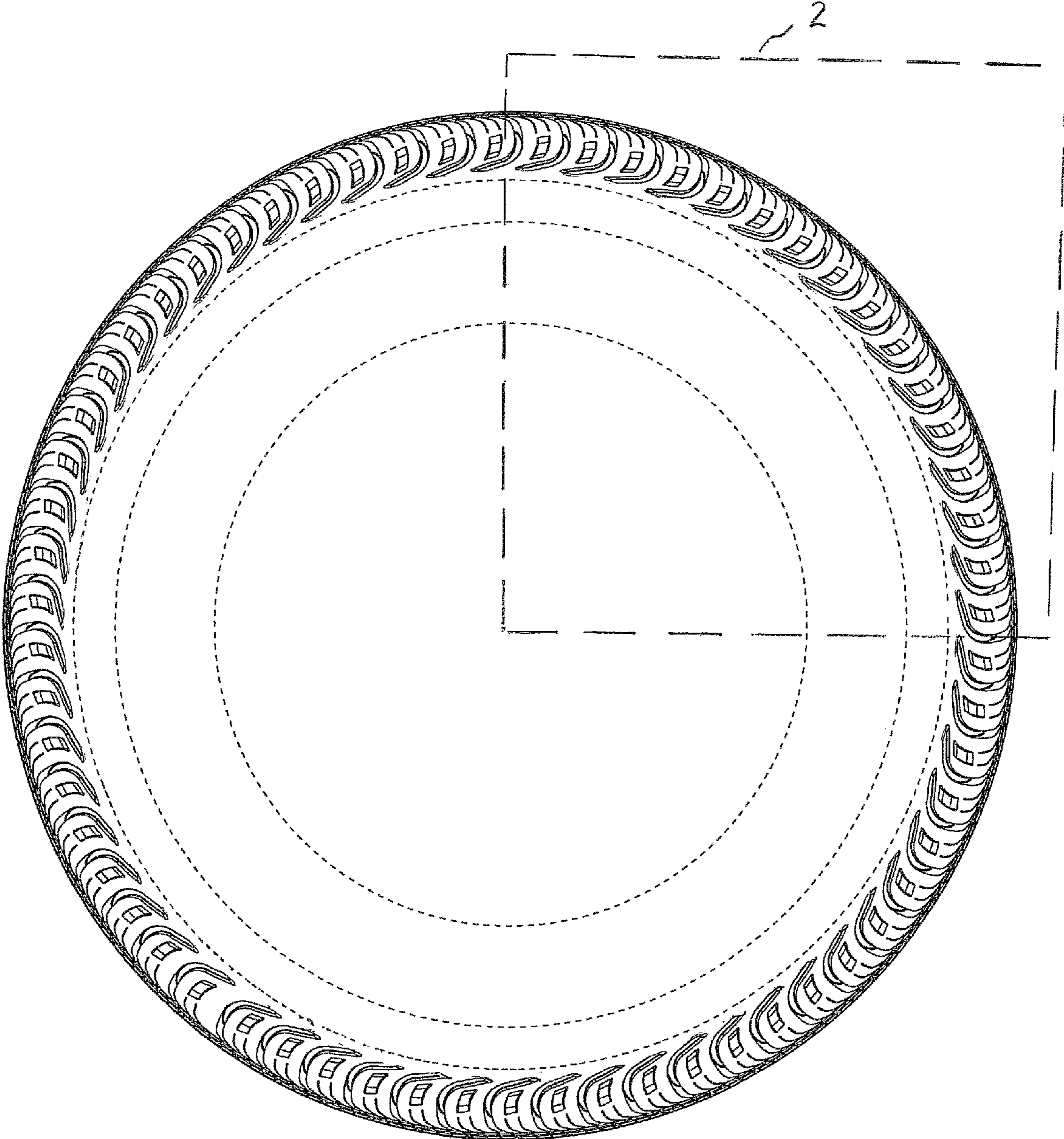


FIG. 3

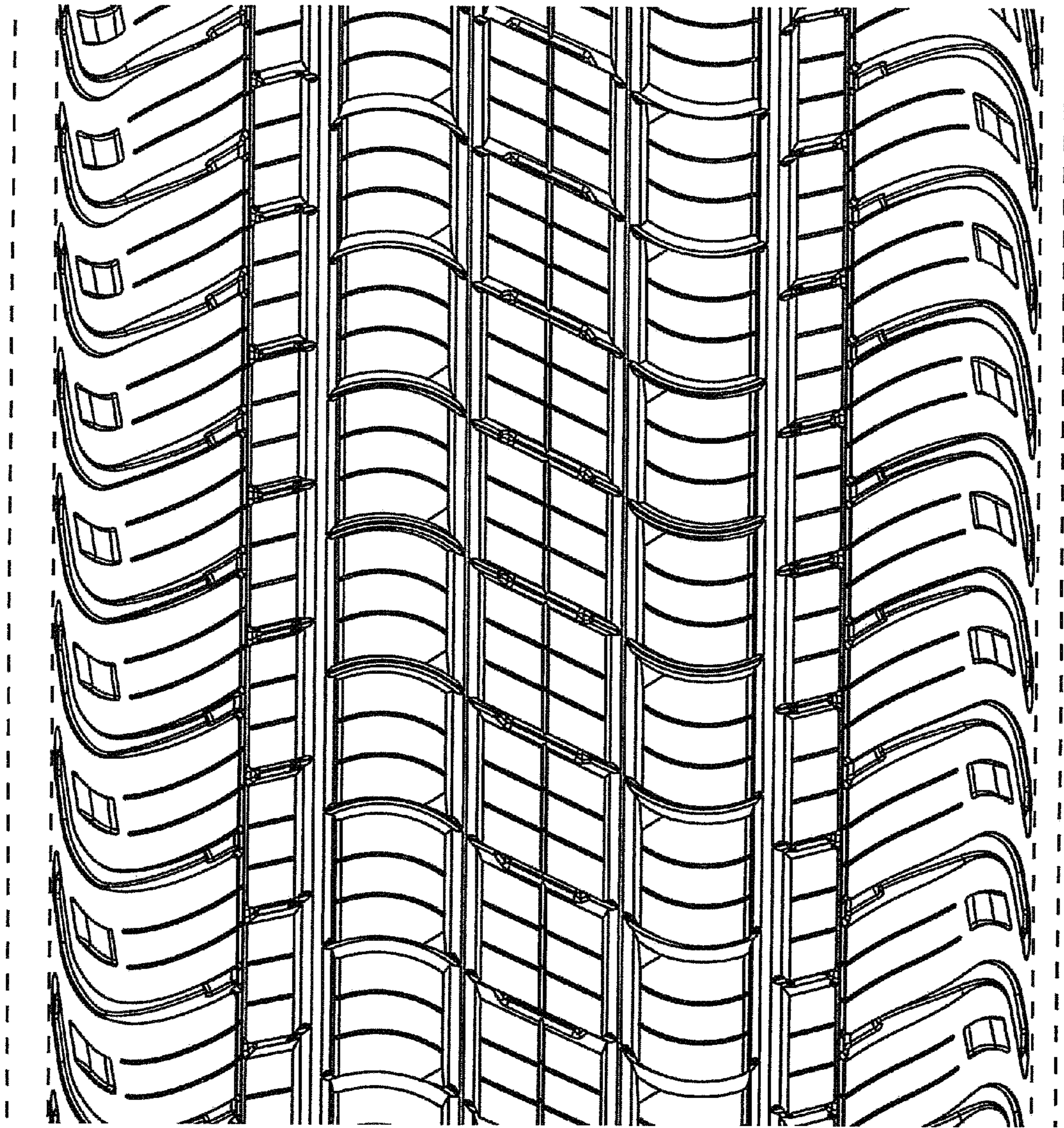


FIG. 4



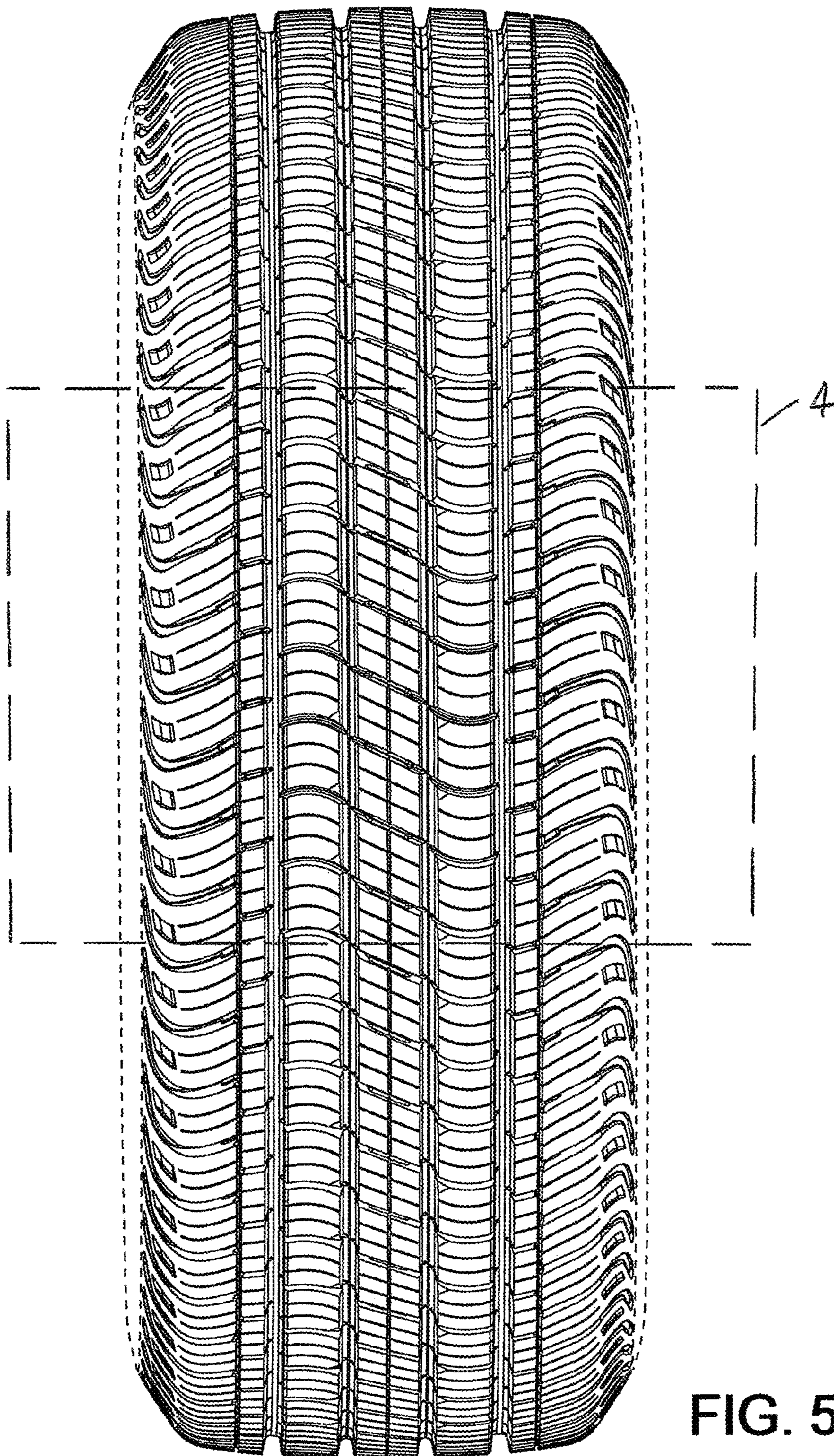


FIG. 5