



US00D764387S

(12) **United States Design Patent**
Tanaka

(10) **Patent No.:** **US D764,387 S**

(45) **Date of Patent:** **** Aug. 23, 2016**

(54) **CENTER CONSOLE FOR AUTOMOBILE**

FOREIGN PATENT DOCUMENTS

(71) Applicant: **Nissan Motor Co., Ltd.**, Yokohama,
Kanagawa (JP)

JP	D1251929 S	9/2005
JP	D1253369 S	10/2005
JP	D1293020 S	2/2007
JP	D1308921 S	9/2007
JP	D1327140 S	4/2008
JP	D1341442 S	10/2008
JP	D1384126 S	4/2010
JP	D1352018 S	5/2010
JP	D1367250 S	8/2011
JP	D1420732 S	8/2011
JP	D1434236 S	2/2012
JP	D1458879 S	1/2013
JP	D1461202 S	2/2014

(72) Inventor: **Senji Tanaka**, Kanagawa (JP)

(73) Assignee: **Nissan Motor Co., Ltd.**, Yokohama (JP)

(**) Term: **15 Years**

(21) Appl. No.: **29/534,370**

(22) Filed: **Jul. 28, 2015**

(30) **Foreign Application Priority Data**

Jan. 30, 2015 (JP) 2015-001781

(51) **LOC (10) Cl.** **12-16**

(52) **U.S. Cl.**
USPC **D12/419**

(58) **Field of Classification Search**
USPC D12/415-426.1
CPC B64D 11/06; F16M 11/12; F16M 11/10
See application file for complete search history.

(56) **References Cited**

U.S. PATENT DOCUMENTS

D359,266 S *	6/1995	Karp	D12/419
D448,720 S *	10/2001	Nash	D12/192
6,616,206 B2 *	9/2003	Luginbill	B60N 2/4646 224/539
D522,957 S *	6/2006	Miyashita	D12/415
D568,232 S *	5/2008	Motozaki	D12/421
7,980,409 B2 *	7/2011	Vasko	B60R 7/04 220/326
D673,496 S	1/2013	Kikuta et al.		
D711,810 S	8/2014	Matsuo et al.		
D711,811 S	8/2014	Maruyama et al.		
D718,218 S	11/2014	Tanaka et al.		
D724,521 S *	3/2015	Ashley	D12/419
D725,582 S	3/2015	Kobari et al.		
D725,583 S *	3/2015	Seki	D12/419
9,199,579 B2 *	12/2015	Gillis	B60R 7/04

* cited by examiner

Primary Examiner — Katrina A Betton

(74) *Attorney, Agent, or Firm* — Global IP Counselors, LLP

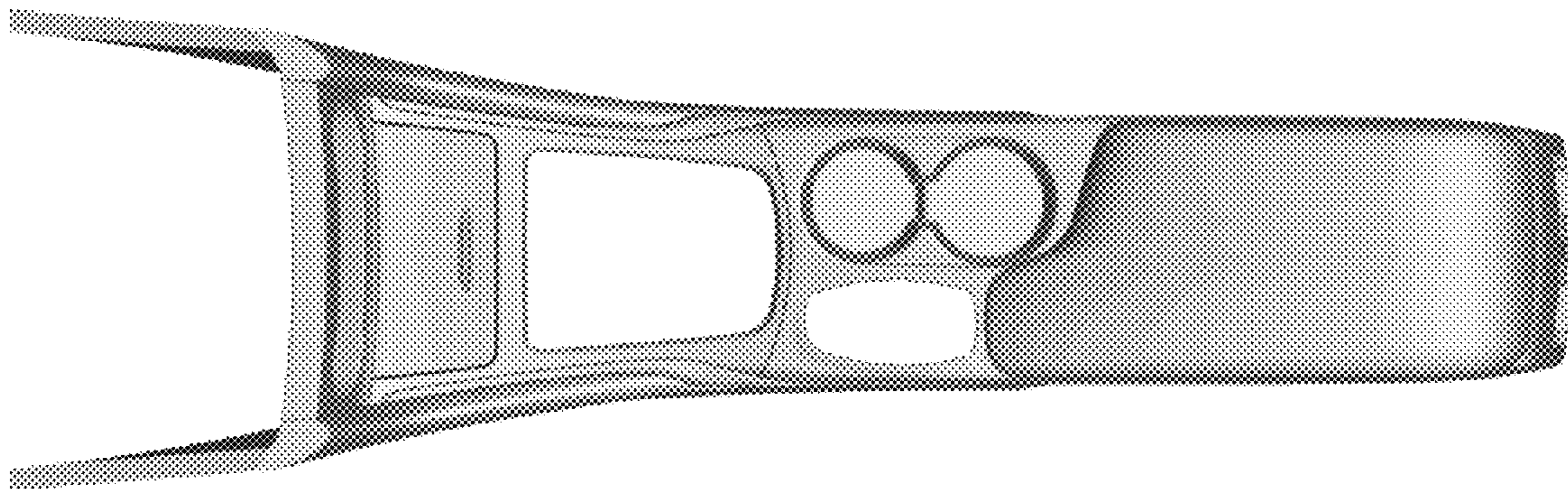
(57) **CLAIM**

The ornamental design for a center console for an automobile, as shown and described.

DESCRIPTION

FIG. 1 is a front elevational view of a center console for an automobile in accordance with my new design;
 FIG. 2 is a top plan view of the center console in accordance with my new design of FIG. 1;
 FIG. 3 is a bottom plan view of the center console in accordance with my new design of FIGS. 1 and 2;
 FIG. 4 is a left side elevational view of the center console in accordance with my new design of FIGS. 1 to 3;
 FIG. 5 is a right side elevational view of the center console in accordance with my new design of FIGS. 1 to 4;
 FIG. 6 is a front, left perspective view of the center console in accordance with my new design of FIGS. 1 to 5;
 FIG. 7 is a rear, right perspective view of the center console in accordance with my new design of FIGS. 1 to 6; and,
 FIG. 8 is a rear elevational view of the center console in accordance with my new design of FIGS. 1 to 7.
 The inside surfaces of the center console form no part of the claimed design since the inside surfaces are hidden when the center console is mounted to an automobile.
 A second embodiment of our new design is identical to the first embodiment. The second embodiment of our new design includes the mirror image of the center console shown in FIGS. 1 to 8.

1 Claim, 8 Drawing Sheets



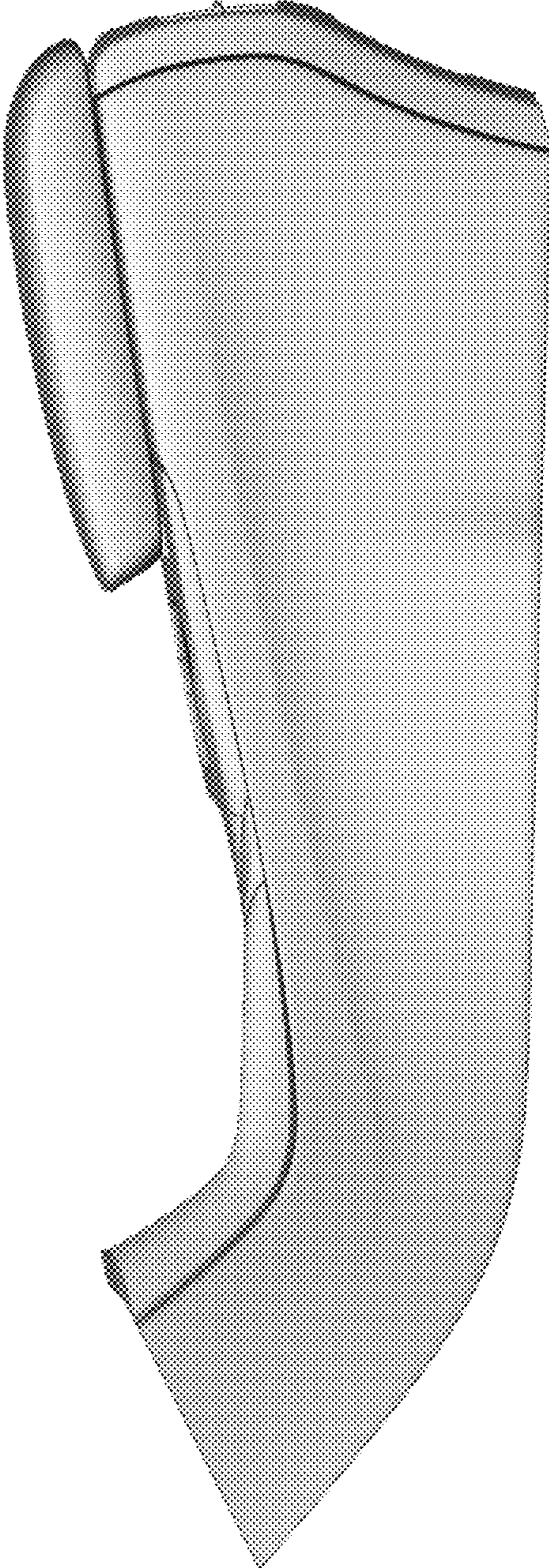


FIG. 1

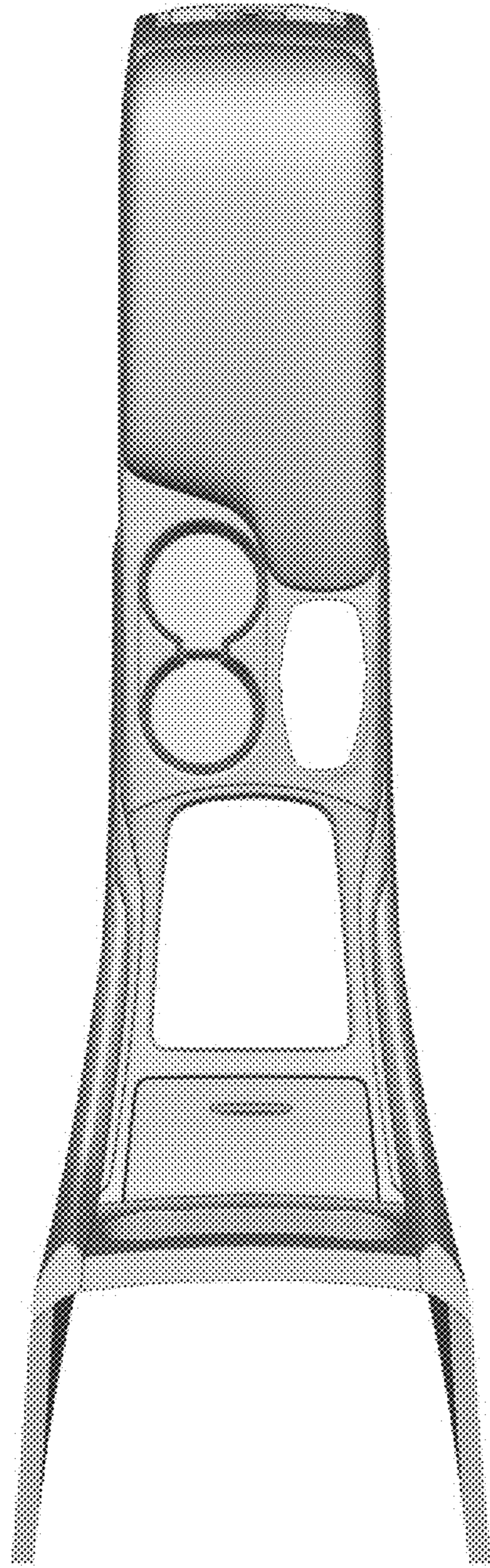


FIG. 2

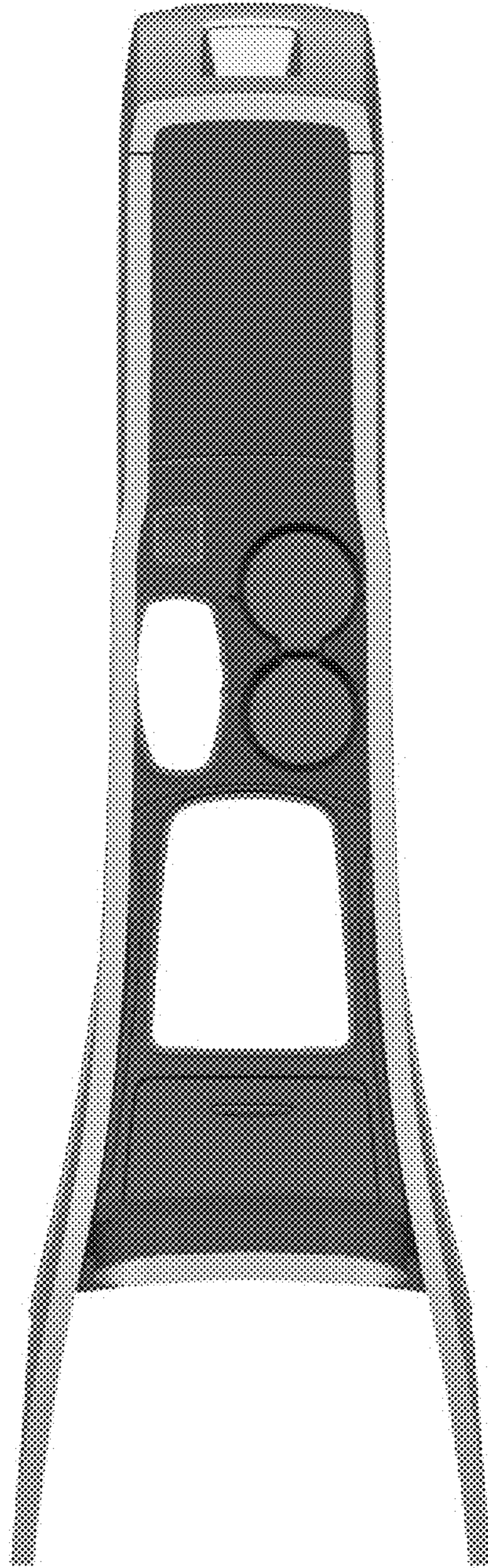


FIG. 3

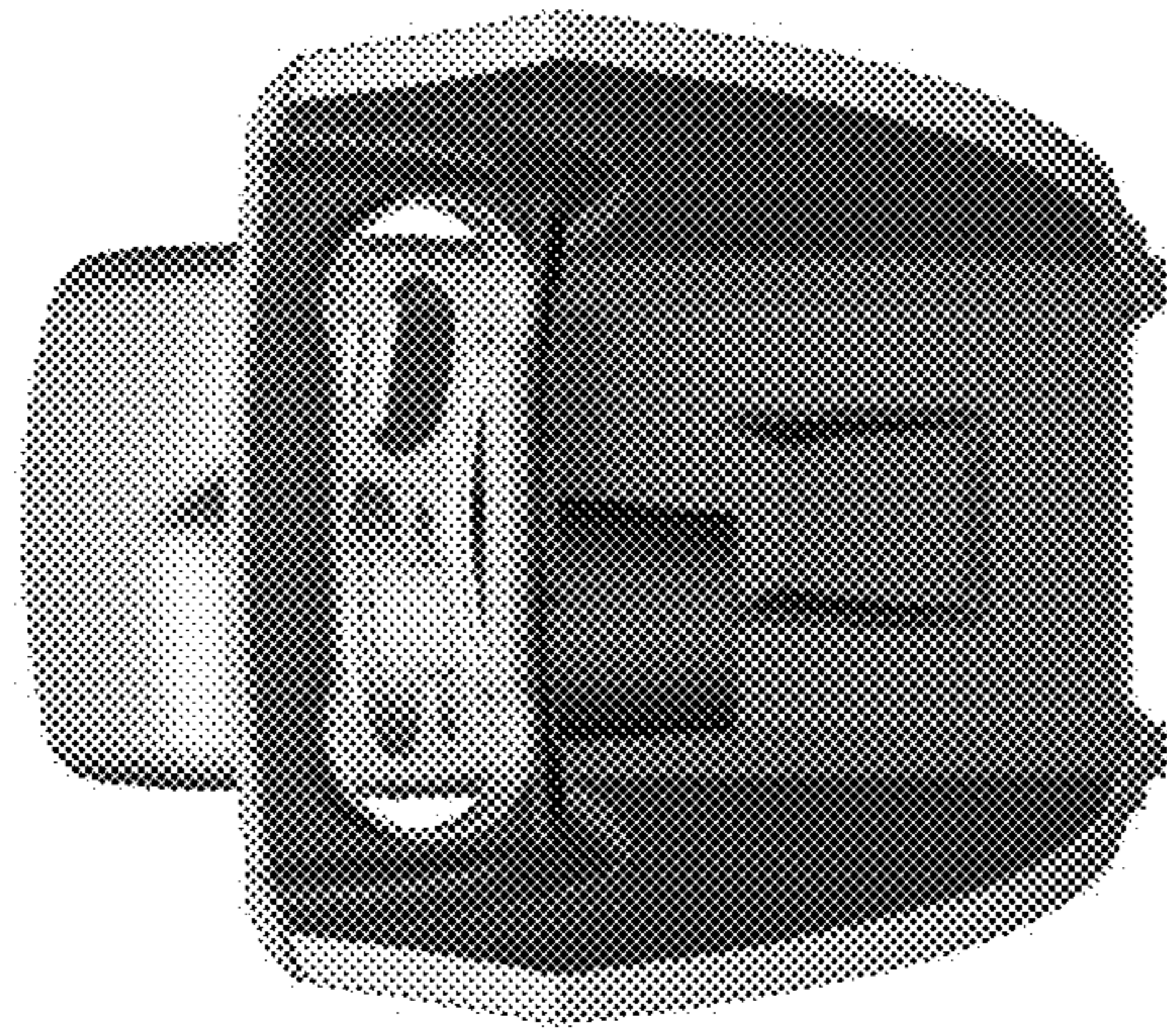


FIG. 4

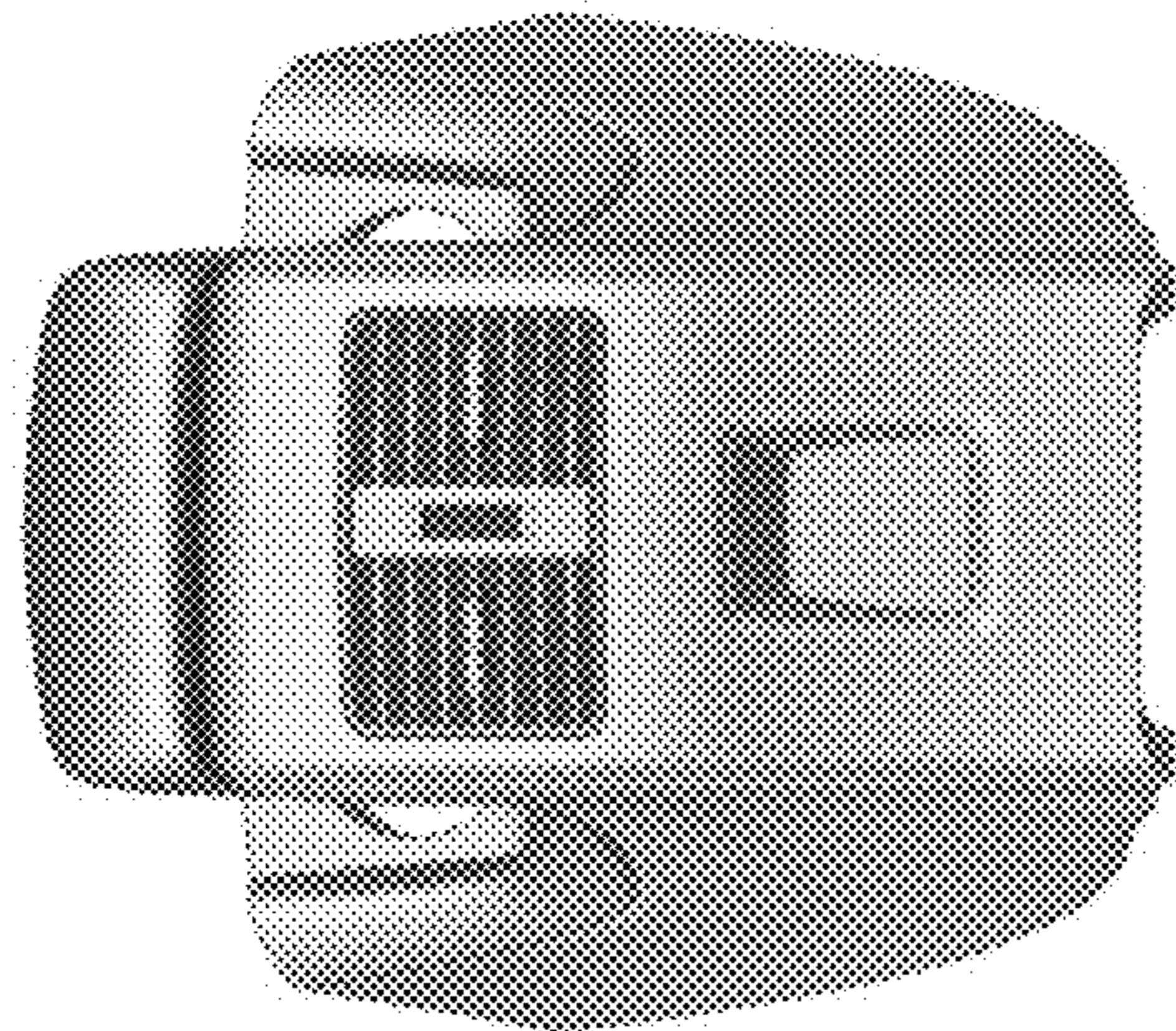


FIG. 5

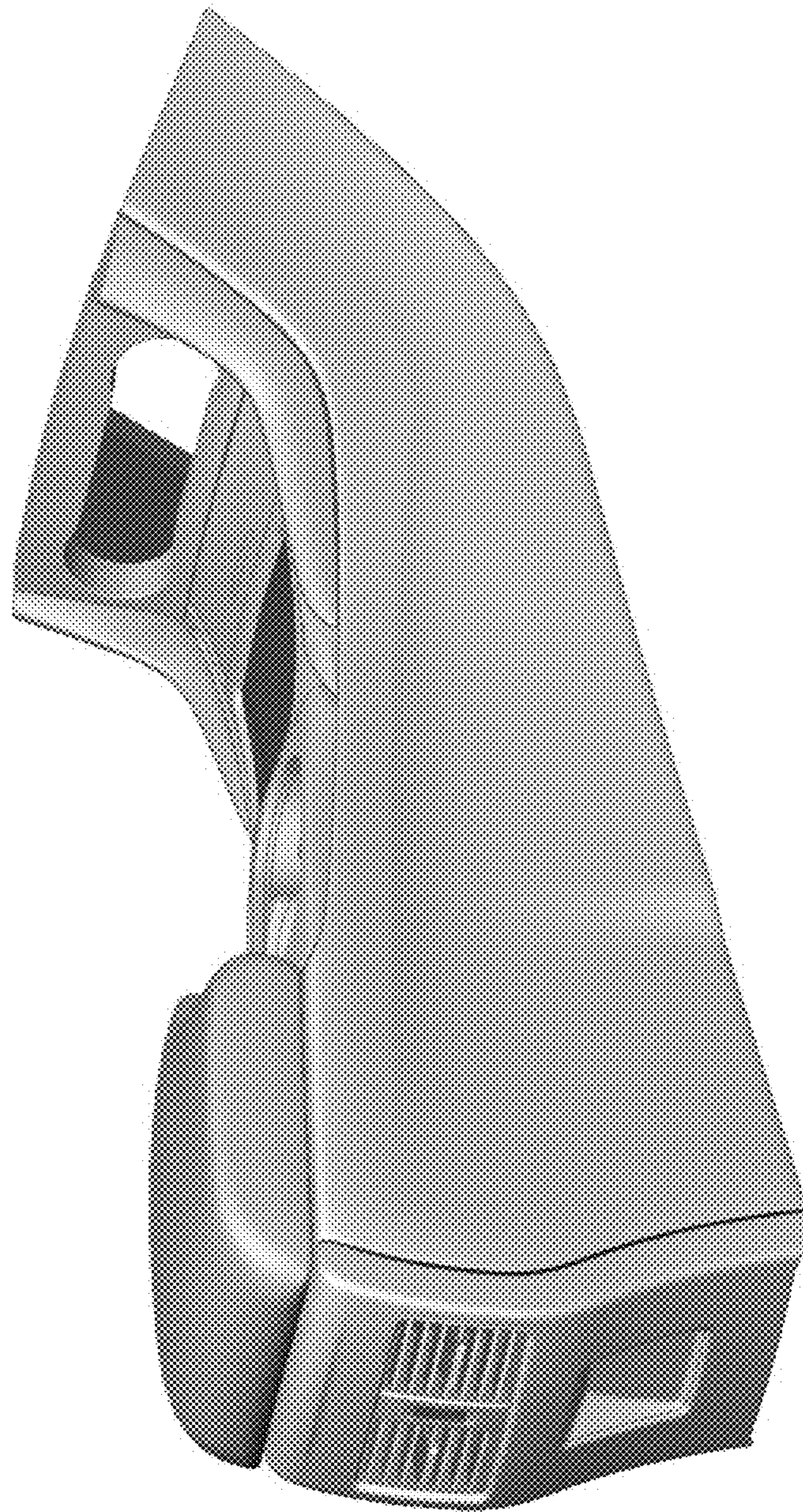


FIG. 6

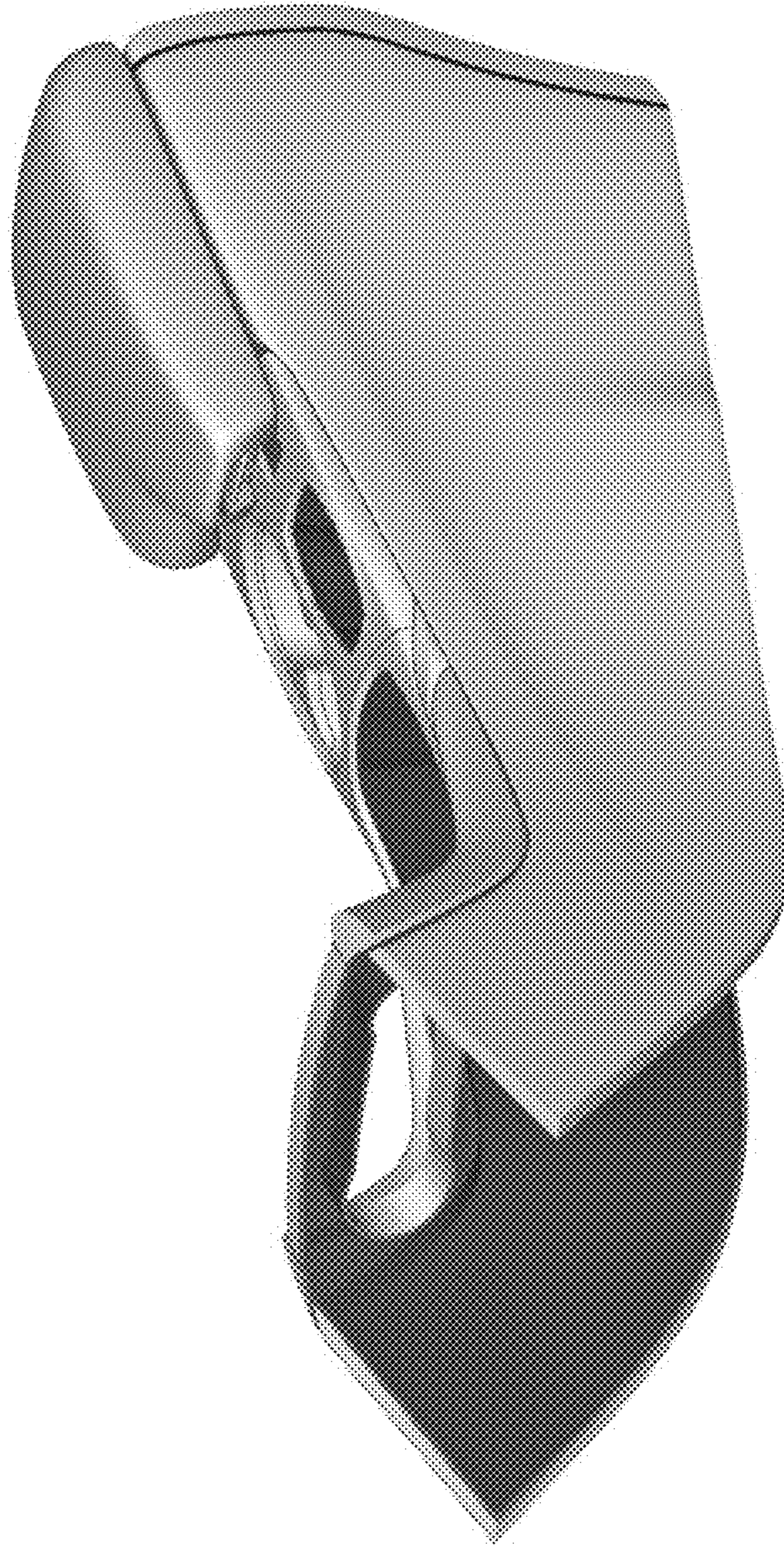


FIG. 7

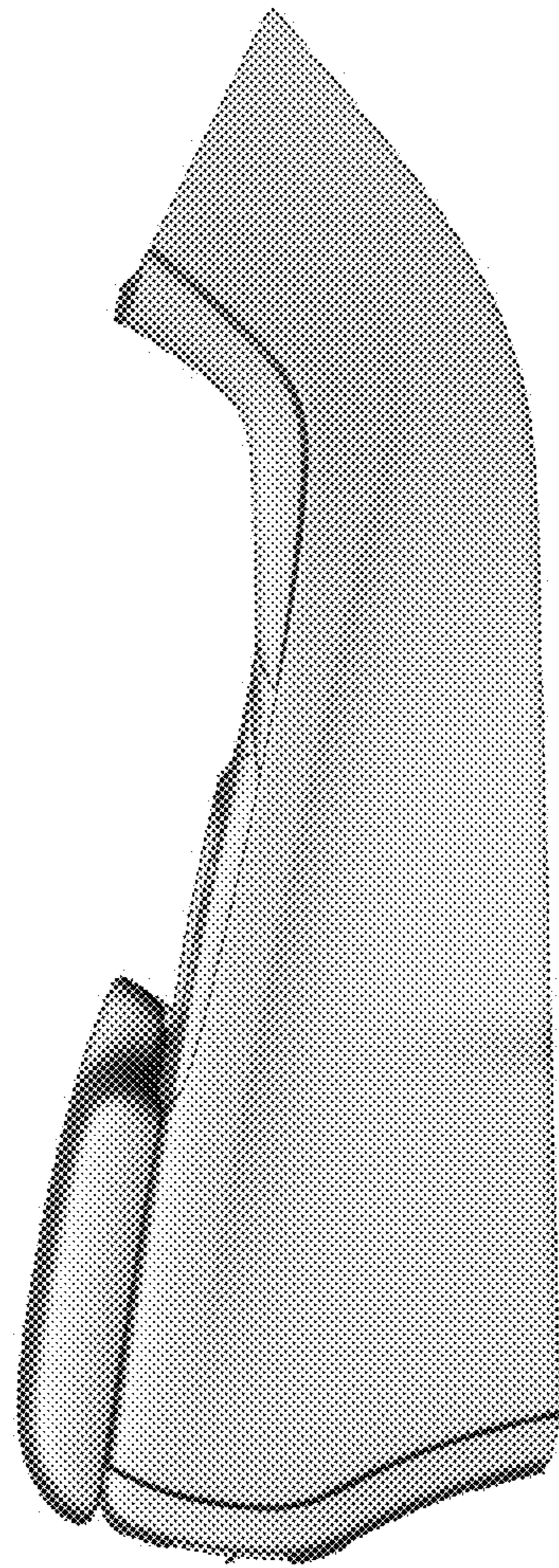


FIG. 8