



US00D764384S

(12) **United States Design Patent**
Tran et al.

(10) **Patent No.:** **US D764,384 S**

(45) **Date of Patent:** **** Aug. 23, 2016**

- (54) **AIRCRAFT DELTA FIN**
- (71) Applicants: **Dong Tran**, Los Angeles, CA (US);
Klaus Tritschler, Los Angeles, CA (US)
- (72) Inventors: **Dong Tran**, Los Angeles, CA (US);
Klaus Tritschler, Los Angeles, CA (US)
- (73) Assignee: **Icon Aircraft, Inc.**, Vacaville, CA (US)
- (**) Term: **14 Years**

4,291,853	A *	9/1981	Sigalla	B64C 5/02 244/199.1
6,202,959	B1 *	3/2001	Hyde	B64C 5/06 244/130
7,070,144	B1 *	7/2006	DiCocco	B64C 5/12 244/204.1
D620,876	S *	8/2010	Miralles	D12/345
D739,807	S *	9/2015	Strand	D12/324
2004/0056150	A1 *	3/2004	Morgenstern	B64C 39/068 244/45 R
2012/0091266	A1 *	4/2012	Whalen	B64C 5/06 244/87

- (21) Appl. No.: **29/496,588**
- (22) Filed: **Jul. 15, 2014**
- (51) **LOC (10) Cl.** **12-07**
- (52) **U.S. Cl.**
USPC **D12/345**
- (58) **Field of Classification Search**
USPC D12/319, 322, 323, 326, 327, 328, 329,
D12/330, 339, 341, 342, 343, 344, 345;
D21/436, 438, 439, 440, 441, 446, 447,
D21/448, 449, 450, 453
CPC B64C 39/00; B64C 3/00; B64C 29/00
See application file for complete search history.

* cited by examiner

Primary Examiner — Robert M Spear
Assistant Examiner — Marissa J Cash
(74) *Attorney, Agent, or Firm* — Martensen IP

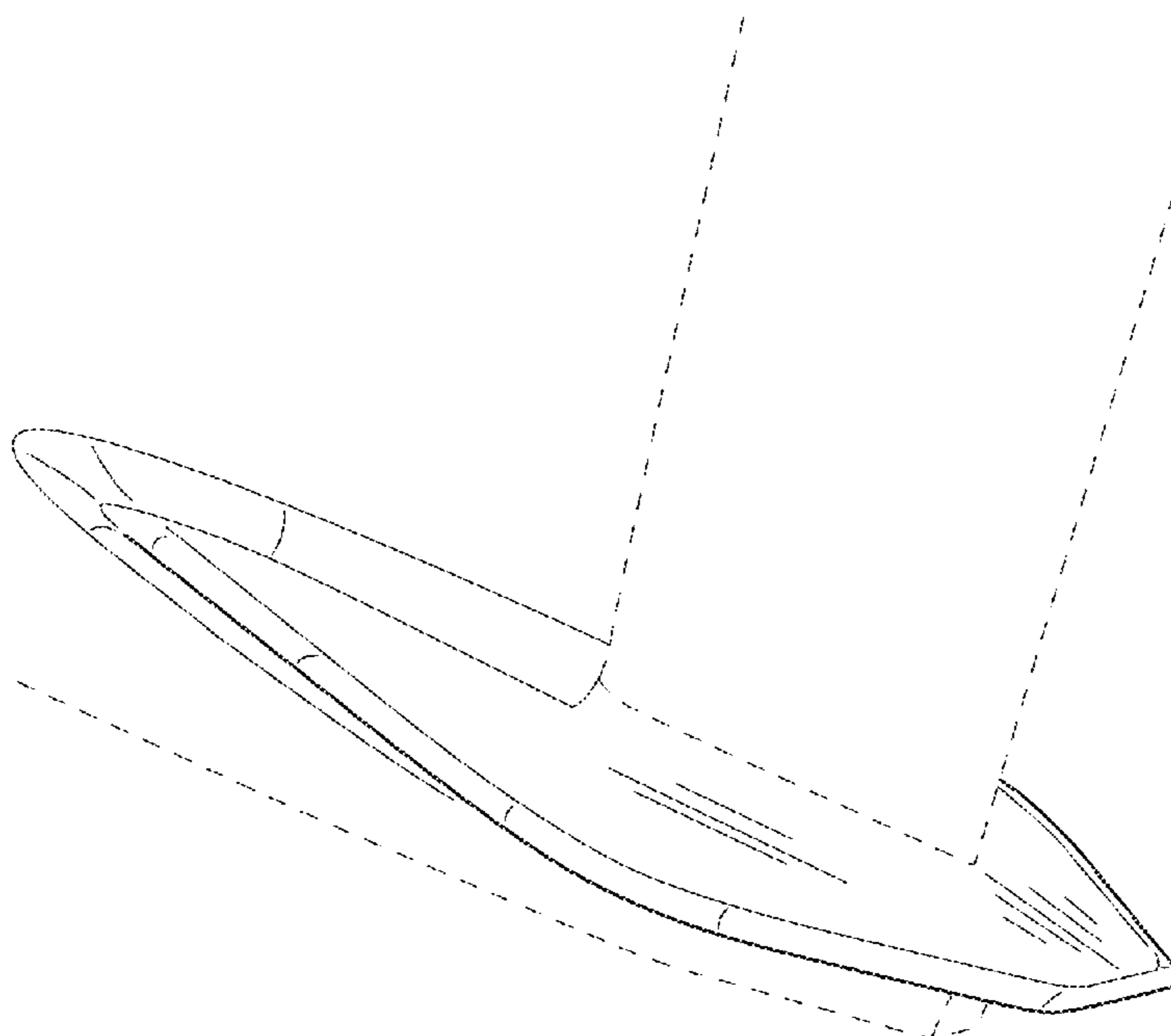
(57) **CLAIM**
The ornamental design for an aircraft delta fin, as shown and described.

DESCRIPTION

FIG. 1 is a rear, top perspective drawing of an aircraft delta fin showing our new design and its environment.
FIG. 2 is a detailed rear, top perspective view thereof;
FIG. 3 is a right side perspective view thereof;
FIG. 4 is a left side perspective view thereof;
FIG. 5 is a back plan view thereof; and,
FIG. 6 is a bottom plan view of thereof.
The portions of the drawings shown in broken lines indicate surrounding structure and environment that forms no part of the claimed design.

1 Claim, 6 Drawing Sheets

- (56) **References Cited**
U.S. PATENT DOCUMENTS
2,960,286 A * 11/1960 Louthan B64C 30/00
244/91
3,738,595 A * 6/1973 Bouchnik B64C 3/56
244/218



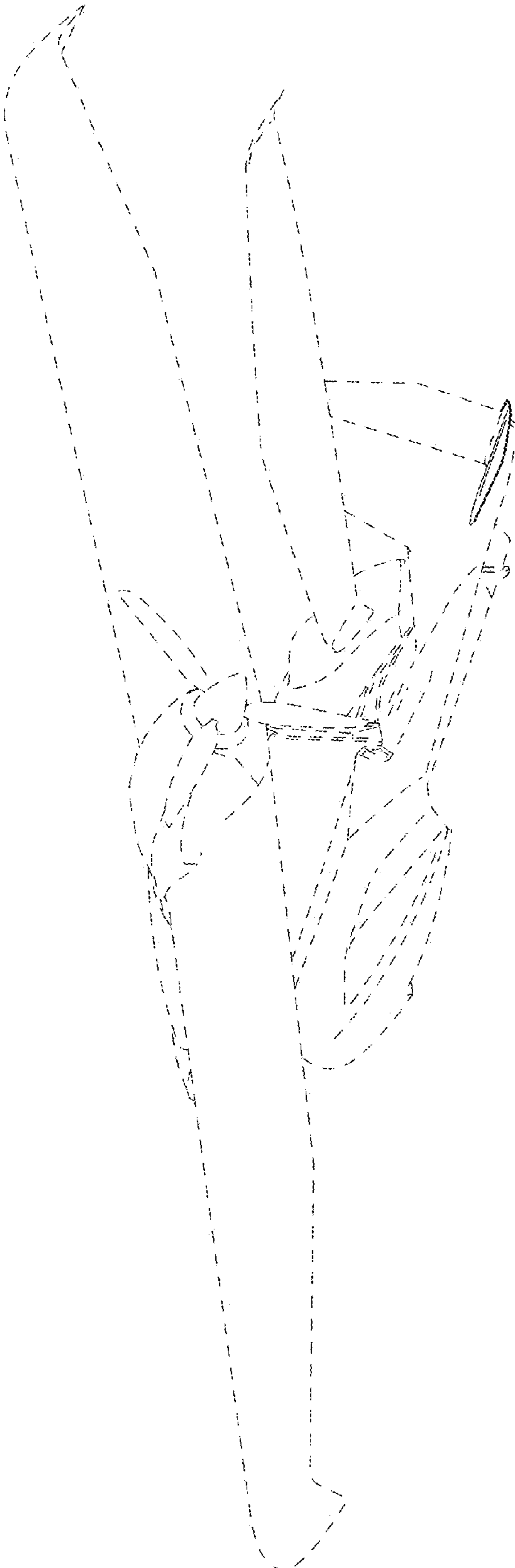


FIG.1

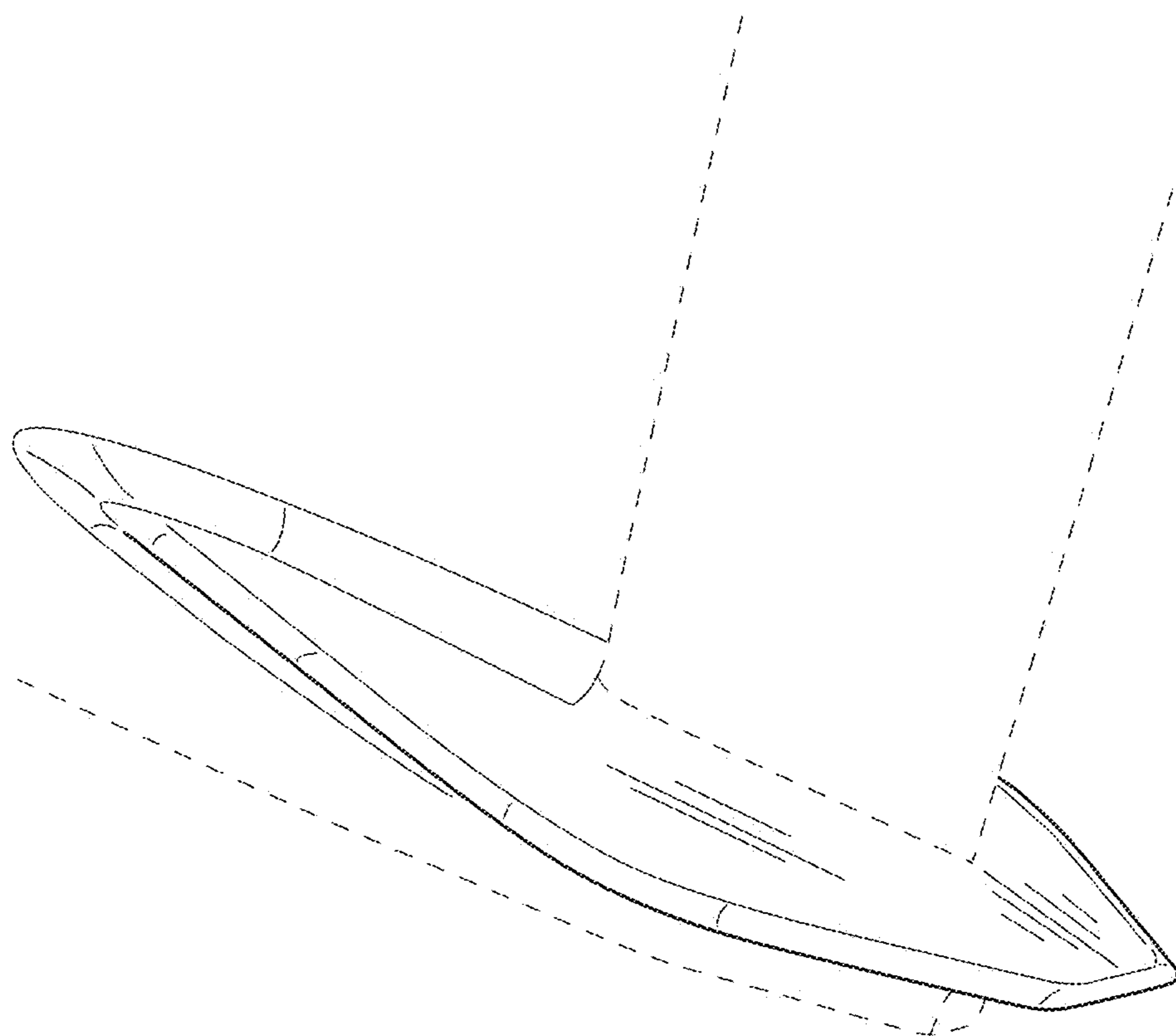


FIG.2

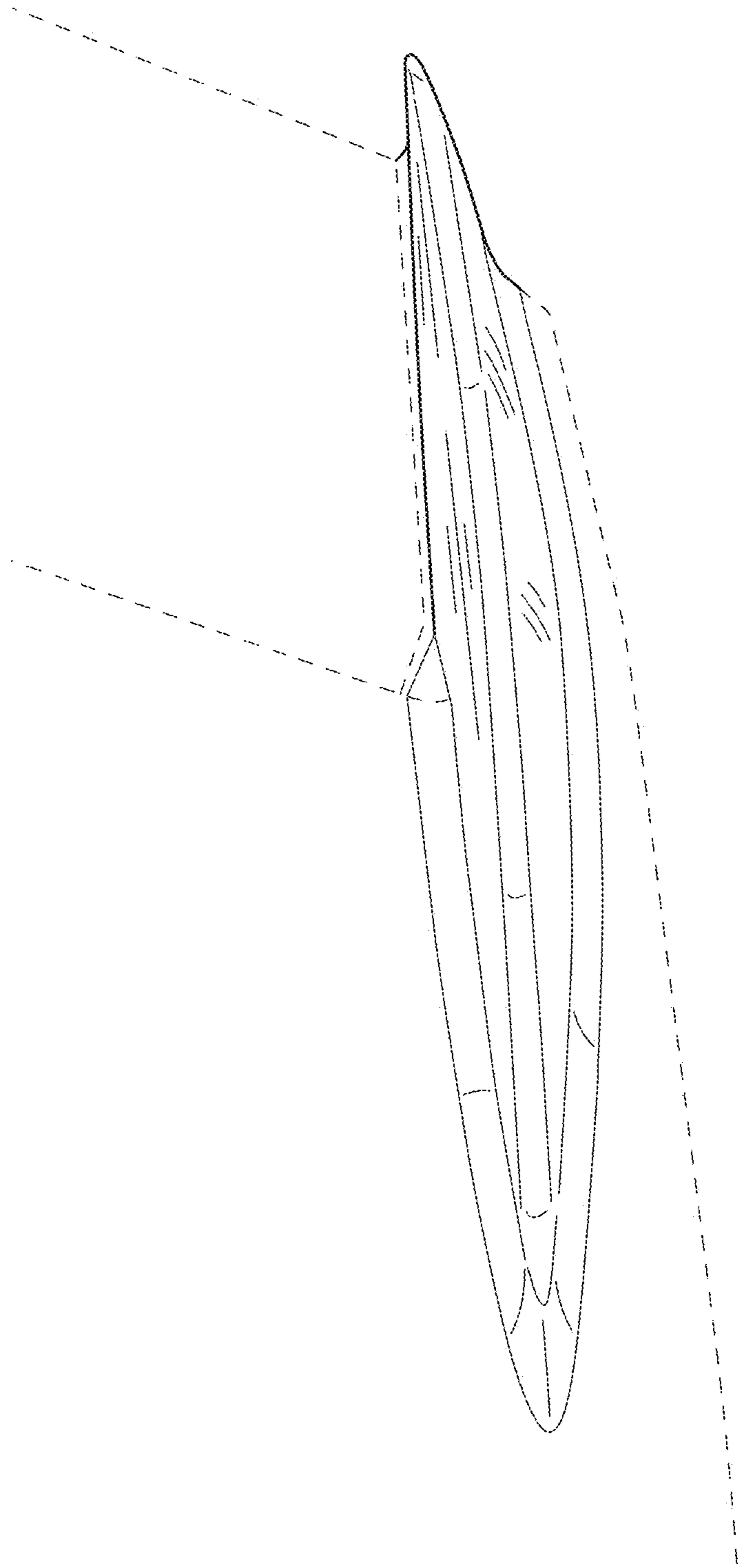


FIG.3

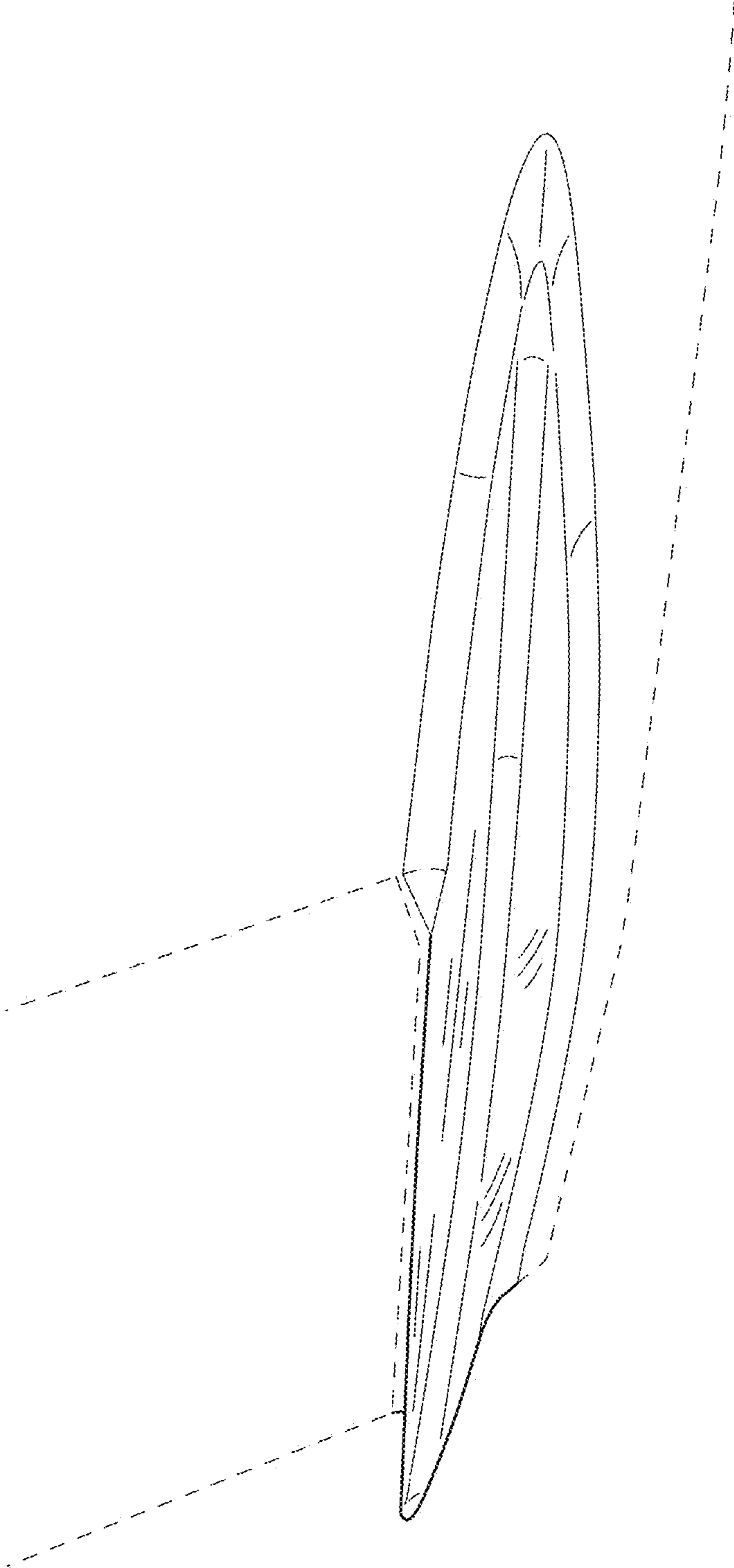


FIG.4

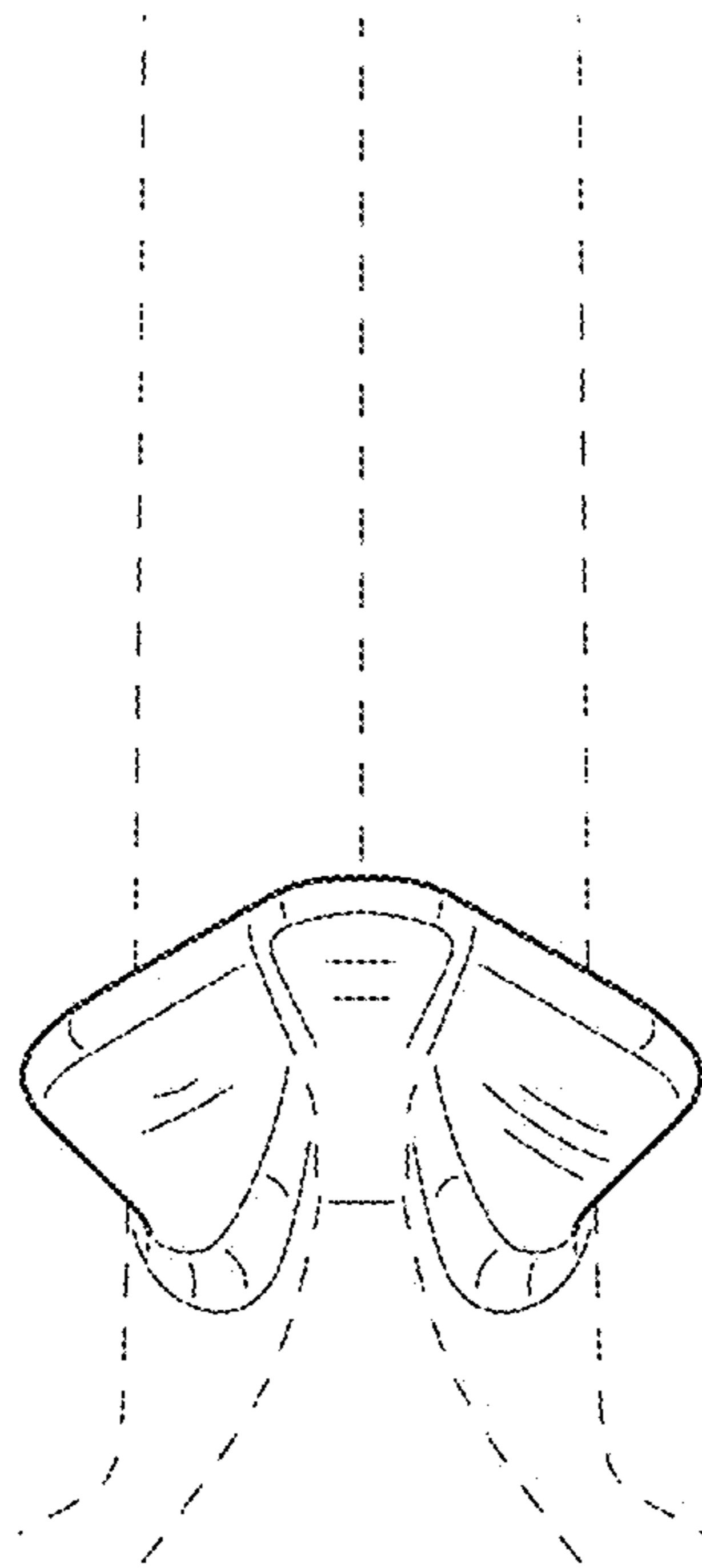


FIG.5

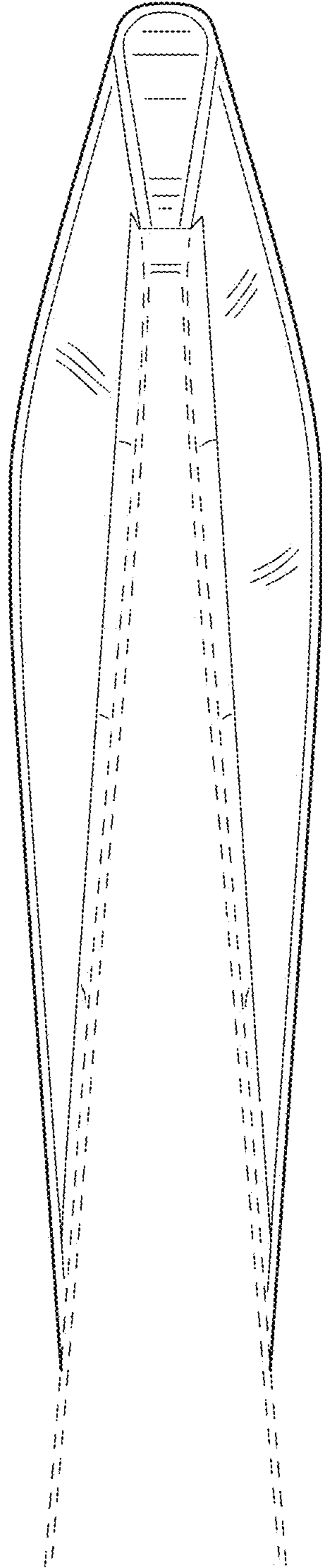


FIG.6