

US00D764383S

(12) **United States Design Patent**
Grovender et al.

(10) **Patent No.:** **US D764,383 S**

(45) **Date of Patent:** **** *Aug. 23, 2016**

- (54) **WATERCRAFT BOW**
- (71) Applicant: **Premier Marine, Inc.**, Wyoming, MN (US)
- (72) Inventors: **David Grovender**, North Branch, MN (US); **Steve Melbostad**, North Branch, MN (US)
- (73) Assignee: **Premier Marine, Inc.**, Wyoming, MN (US)
- (*) Notice: This patent is subject to a terminal disclaimer.
- (**) Term: **15 Years**
- (21) Appl. No.: **29/527,015**
- (22) Filed: **May 14, 2015**
- (51) **LOC (10) Cl.** **12-06**
- (52) **U.S. Cl.**
USPC **D12/317**
- (58) **Field of Classification Search**
USPC D12/300-318
CPC B63B 29/00; B63B 27/00; B63B 27/14; B63B 17/00; B63B 1/04; B63B 1/08; B63B 1/18; B63B 1/20
See application file for complete search history.

D292,510 S *	10/1987	Hawkins	D12/317
D300,021 S *	2/1989	Riley	D12/318
D306,007 S *	2/1990	DePrey	D12/318
D318,451 S *	7/1991	Lathers	D12/314
D333,810 S *	3/1993	Wenstadt	D12/313
D349,090 S *	7/1994	Wenstadt	D12/318
D356,289 S *	3/1995	Trent	D12/307
5,481,998 A *	1/1996	Trent	B63B 3/00 114/355
D409,555 S *	5/1999	Lapointe	D12/300
D523,804 S *	6/2006	Guay	D12/300
D524,224 S *	7/2006	Guay	D12/300
7,162,969 B2 *	1/2007	Houlder	B63B 27/14 114/362
D547,256 S *	7/2007	Kalil	D12/317
D743,318 S *	11/2015	Curts	D12/317

* cited by examiner

Primary Examiner — Cynthia M Chin

(74) *Attorney, Agent, or Firm* — Winthrop & Weinstine, P.A.

(57) **CLAIM**

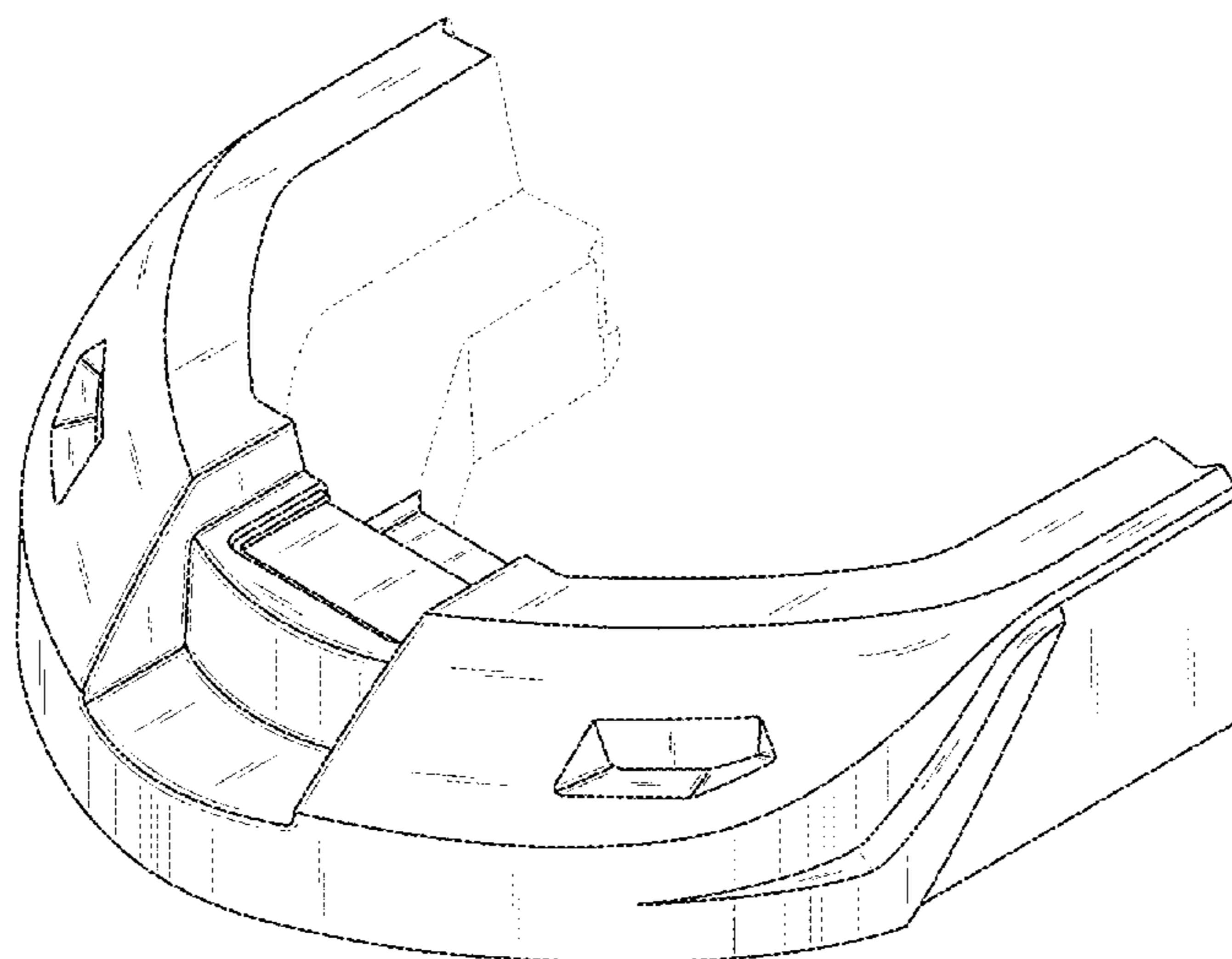
The ornamental design for a watercraft bow, as shown and described.

DESCRIPTION

FIG. 1 is a perspective view of a watercraft bow;
 FIG. 2 is a front view of the watercraft bow of FIG. 1;
 FIG. 3 is a back view of the watercraft bow of FIG. 1;
 FIG. 4 is a side view of the watercraft bow of FIG. 1;
 FIG. 5 is a top view of the watercraft bow of FIG. 1; and,
 FIG. 6 is a bottom view of the watercraft bow of FIG. 1.
 The broken lines immediately adjacent the shaded areas represent the bounds of the claim and all other broken lines represent unclaimed portions of the design. None of the broken lines form a part of the claimed design.

1 Claim, 6 Drawing Sheets

- (56) **References Cited**
U.S. PATENT DOCUMENTS
D246,234 S * 11/1977 Whitley D12/314
D280,094 S * 8/1985 Riviezzo D12/318
4,548,155 A * 10/1985 Hegg B63B 17/00
114/362



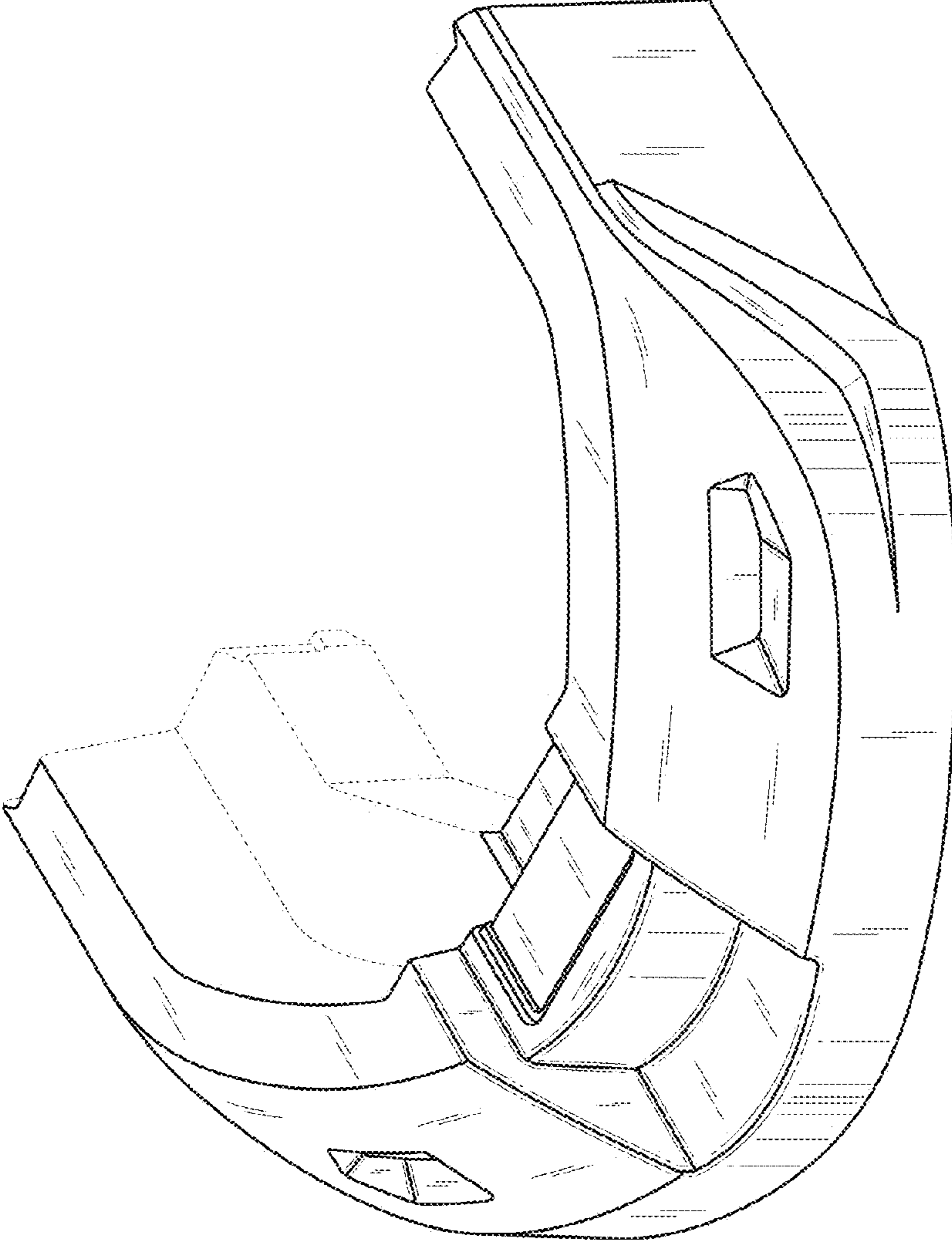


Fig. 1

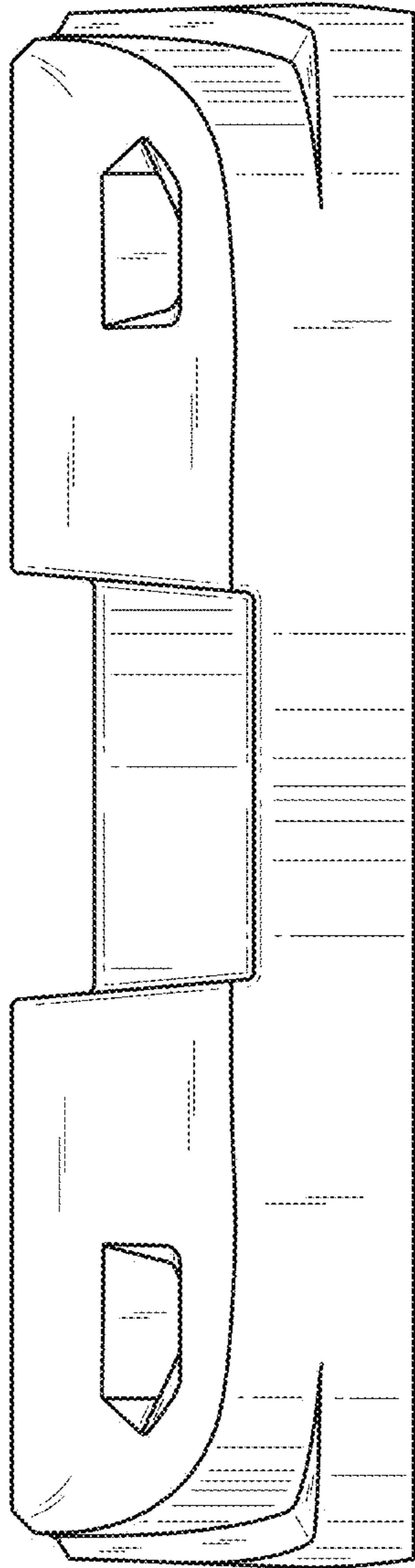


Fig. 2

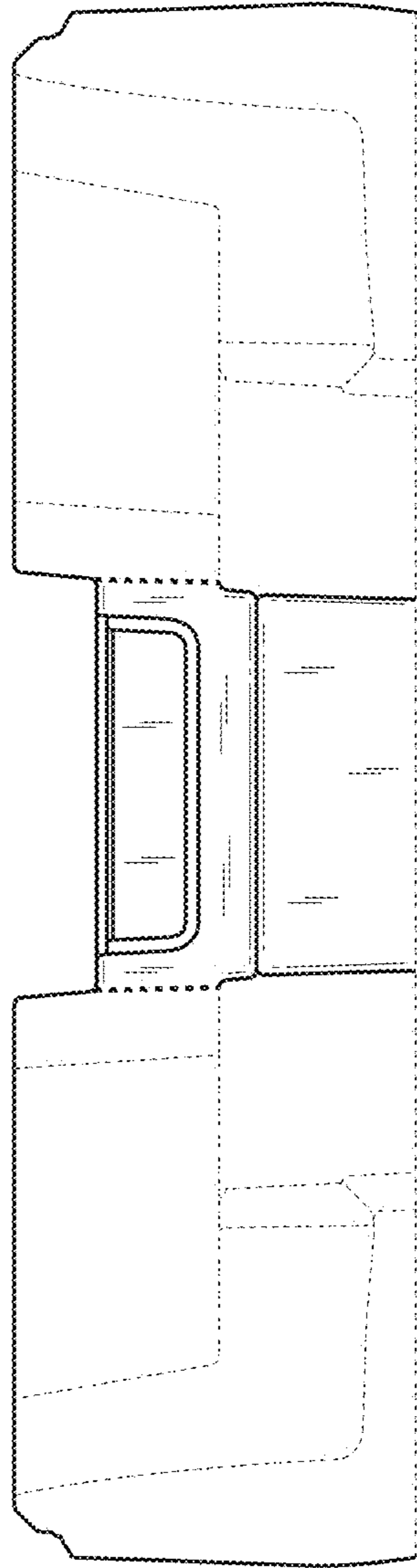


Fig. 3

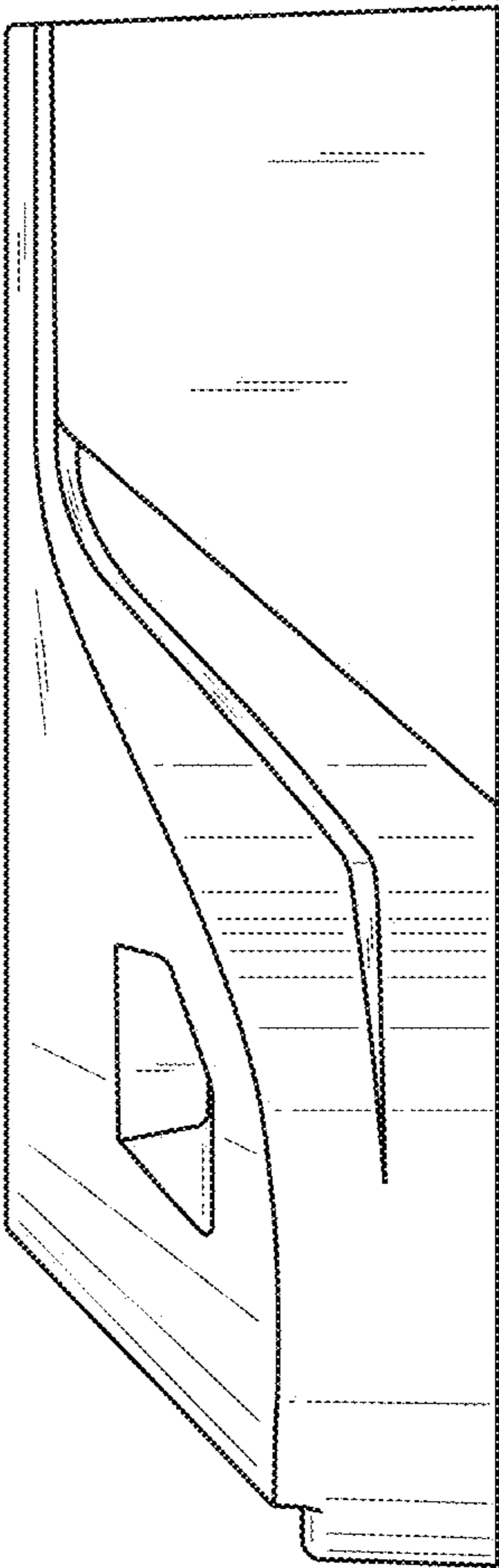


Fig. 4

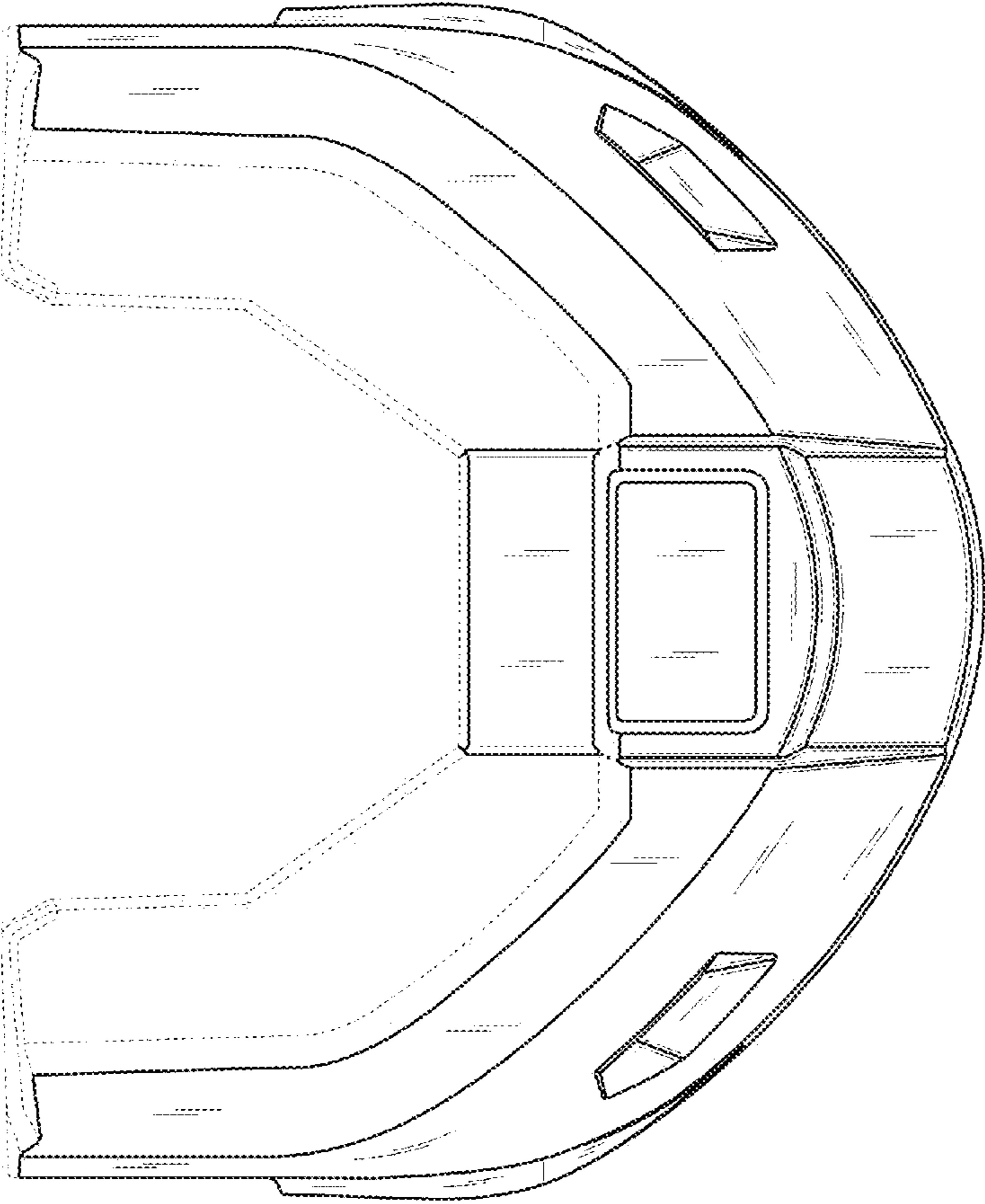


Fig. 5

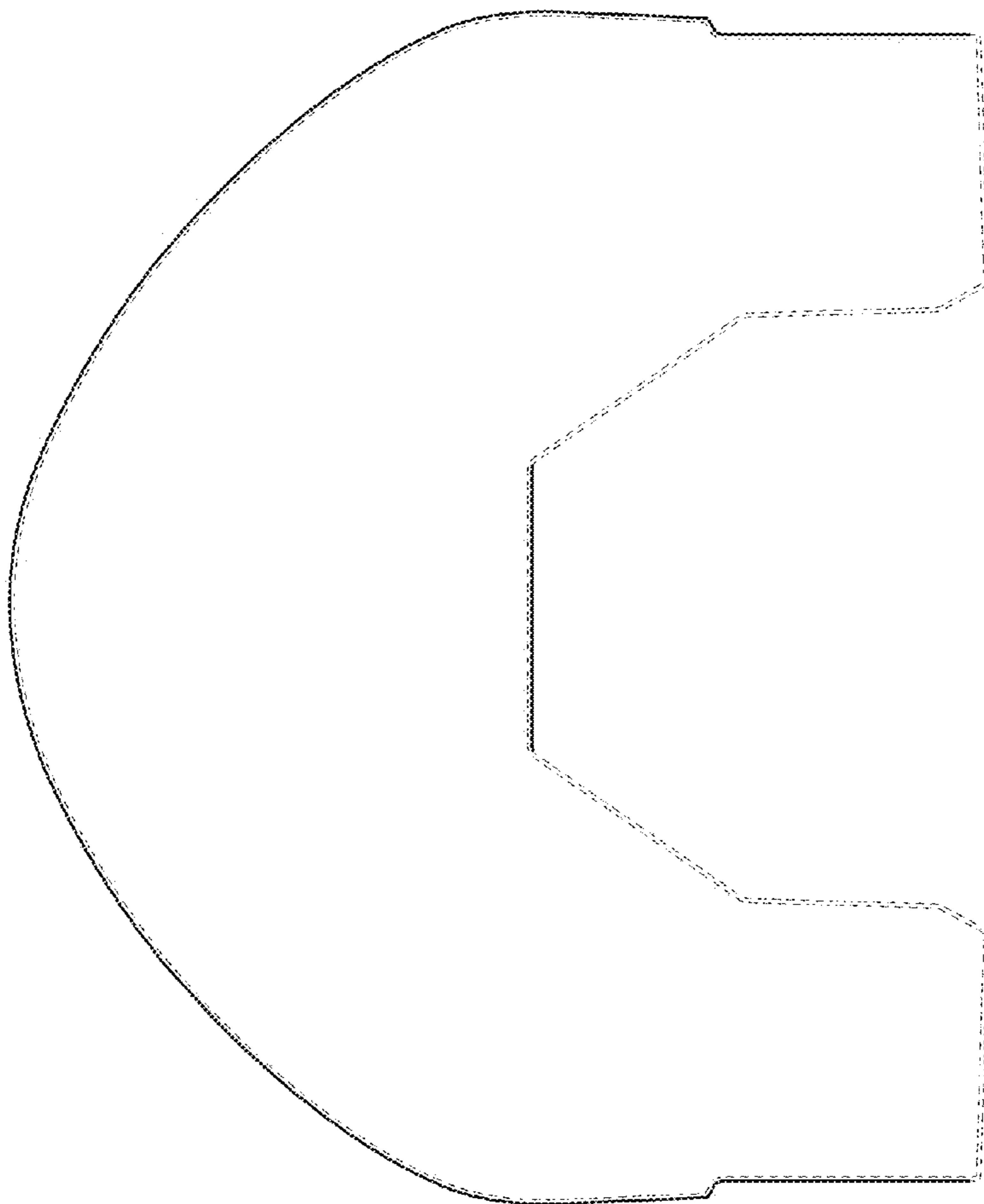


Fig. 6