

US00D764377S

(12) **United States Design Patent**
Ross

(10) **Patent No.:** **US D764,377 S**

(45) **Date of Patent:** **** Aug. 23, 2016**

(54) **DOCKING PAD FOR A PONTOON BOAT**

(71) Applicant: **Ronnie L. Ross**, Bixby, OK (US)

(72) Inventor: **Ronnie L. Ross**, Bixby, OK (US)

(**) Term: **14 Years**

(21) Appl. No.: **29/526,684**

(22) Filed: **May 12, 2015**

(51) **LOC (10) Cl.** **12-06**

(52) **U.S. Cl.**
USPC **D12/317**

(58) **Field of Classification Search**
USPC D12/101, 317, 318
CPC B63C 3/00; B63C 3/02; B63B 1/00;
B63B 13/00; B60P 3/1033; B60P 3/1066;
B60P 3/1075; B60F 3/0092

See application file for complete search history.

(56) **References Cited**

U.S. PATENT DOCUMENTS

4,260,282	A	4/1981	Dorsey et al.	
4,286,906	A	9/1981	Robertson	
4,801,153	A *	1/1989	Wilson	B60P 3/1033 280/414.1
4,900,216	A *	2/1990	Godbersen	B60P 3/1066 193/35 R
4,972,791	A *	11/1990	Williams	B63C 5/04 114/219
5,131,342	A	7/1992	Sackett	
5,267,811	A	12/1993	Evans	
D344,834	S *	3/1994	Ries	D12/317
D356,058	S *	3/1995	Newton	D12/101
5,634,761	A *	6/1997	Carrick	B60P 3/1033 280/414.1

D390,814	S *	2/1998	Weinacht	D12/101
5,888,019	A *	3/1999	Quastad	B63C 3/12 114/44
5,961,139	A *	10/1999	Nichols, II	B60P 3/1066 114/344
6,263,820	B1	7/2001	Crifase et al.	
6,964,241	B1	11/2005	Krebs	
8,678,703	B2	3/2014	Varsoke	
2006/0130727	A1	6/2006	Eischeid	
2009/0297310	A1 *	12/2009	Heck	B60P 3/1033 414/498
2012/0020061	A1	1/2012	Schefers et al.	
2014/0010593	A1	1/2014	Davis	

* cited by examiner

Primary Examiner — Cynthia M Chin

(74) *Attorney, Agent, or Firm* — Dennis D. Brown; Brown Patent Law, PLLC

(57) **CLAIM**

The ornamental design for a docking pad for a pontoon boat, as shown and described.

DESCRIPTION

FIG. 1 is a perspective view of the docking pad illustrating my new design.

FIG. 2 is a front elevational view thereof.

FIG. 3 is a rear elevational view thereof.

FIG. 4 is a left side elevational view thereof.

FIG. 5 is a right side elevational view thereof.

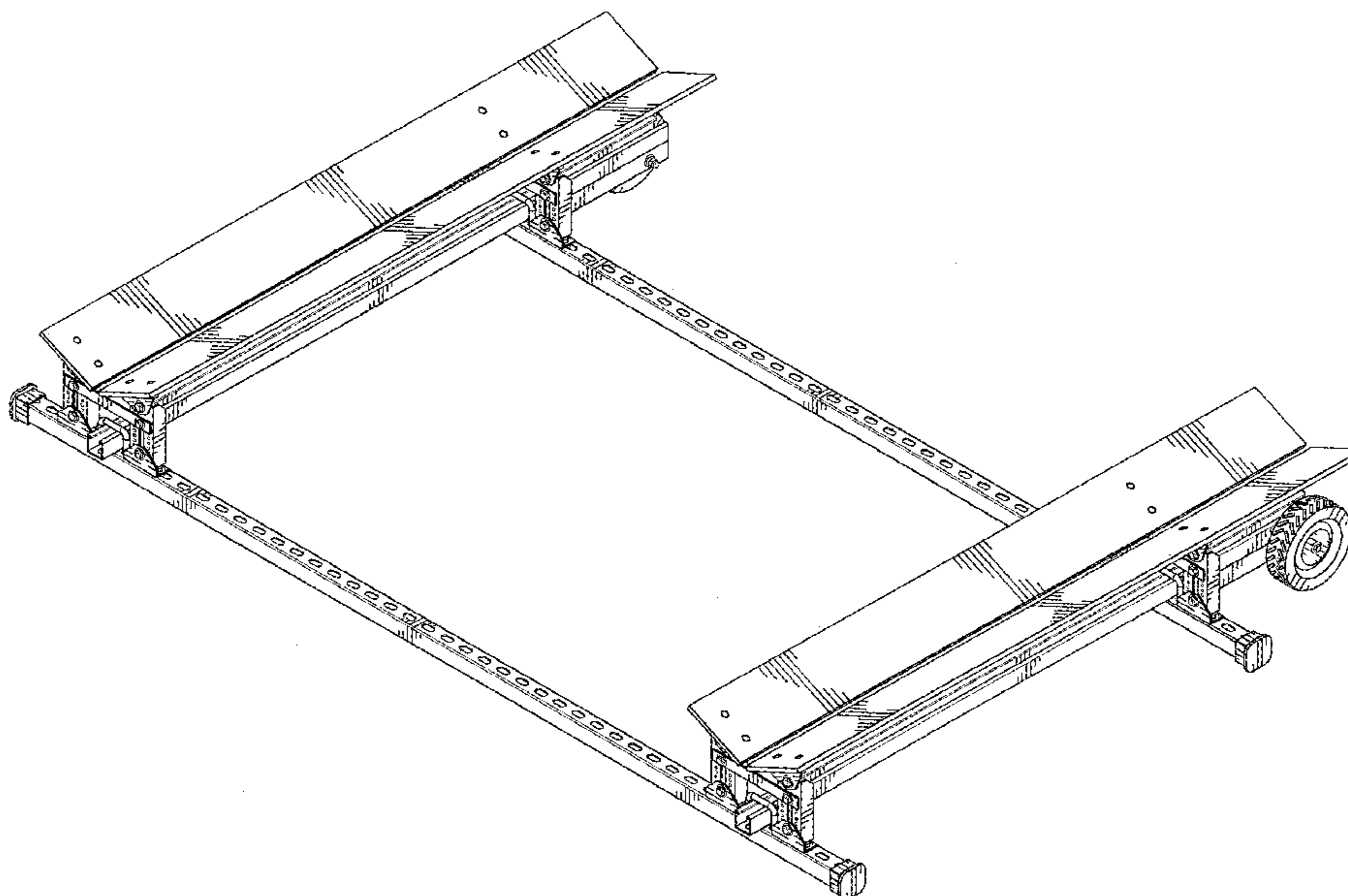
FIG. 6 is a top view thereof.

FIG. 7 is a bottom view thereof; and,

FIG. 8 is an environmental view illustrating the use thereof for docking a pontoon boat.

The broken lines shown in the drawings represent unclaimed portions of the design and form no part thereof.

1 Claim, 6 Drawing Sheets



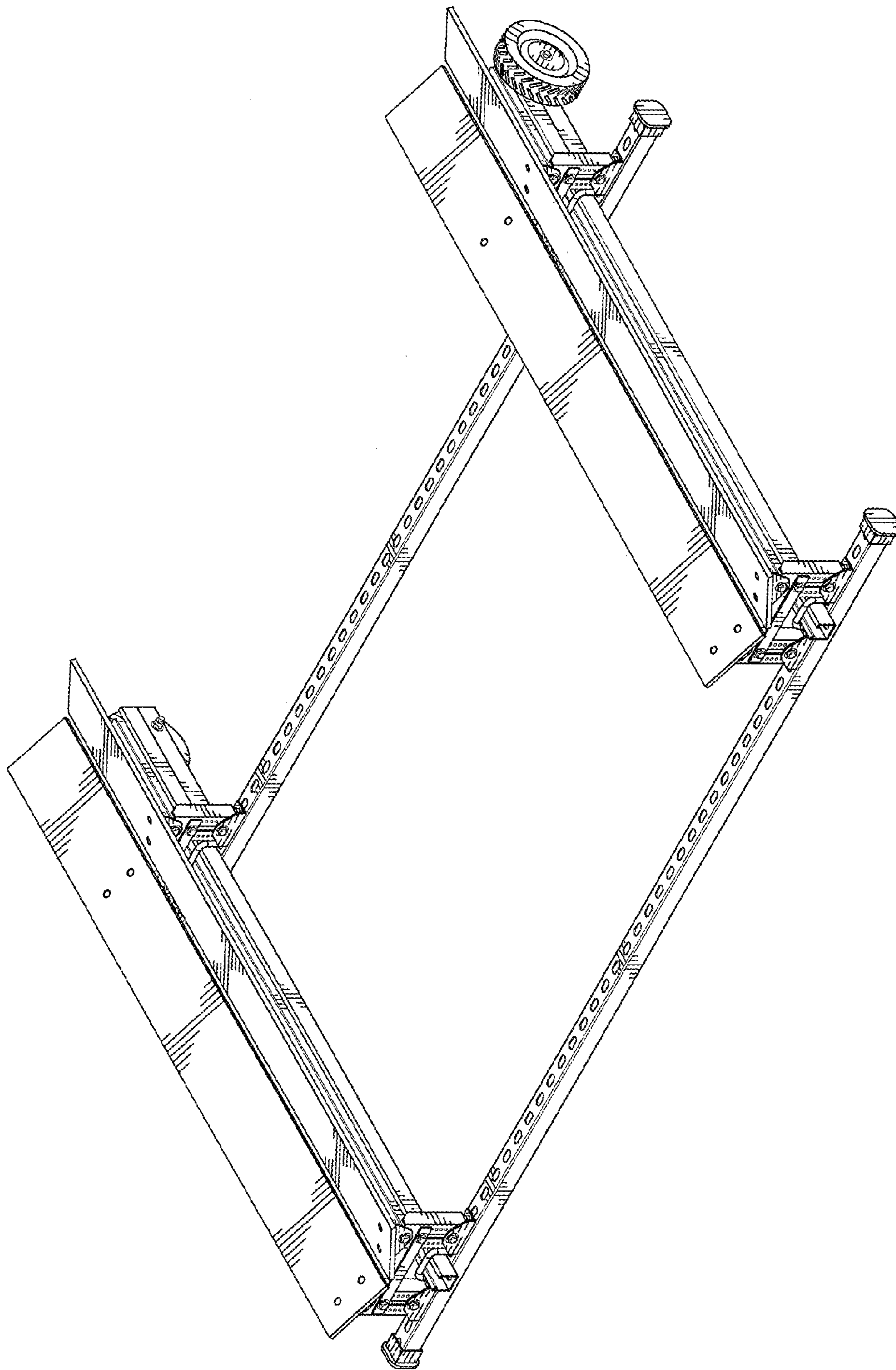


FIG. 1



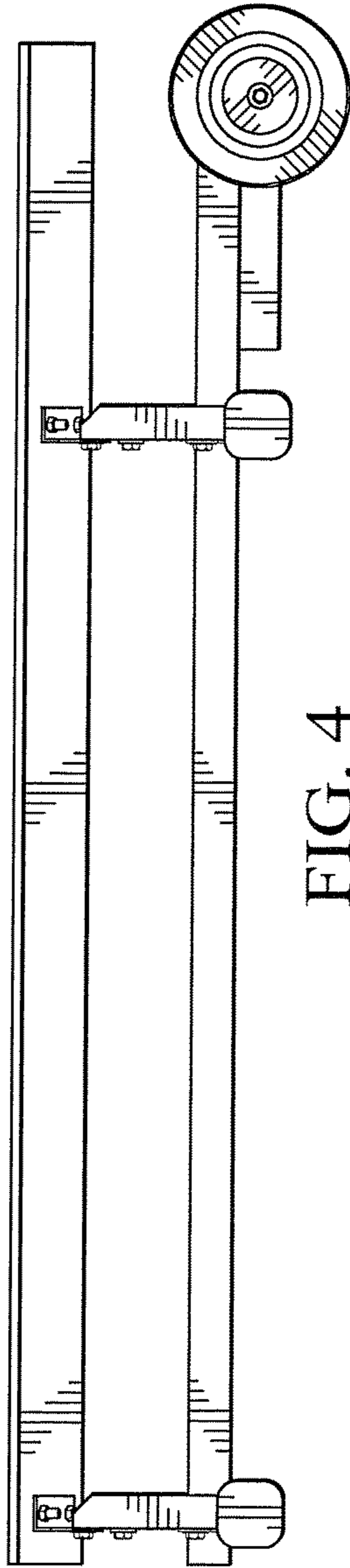


FIG. 4

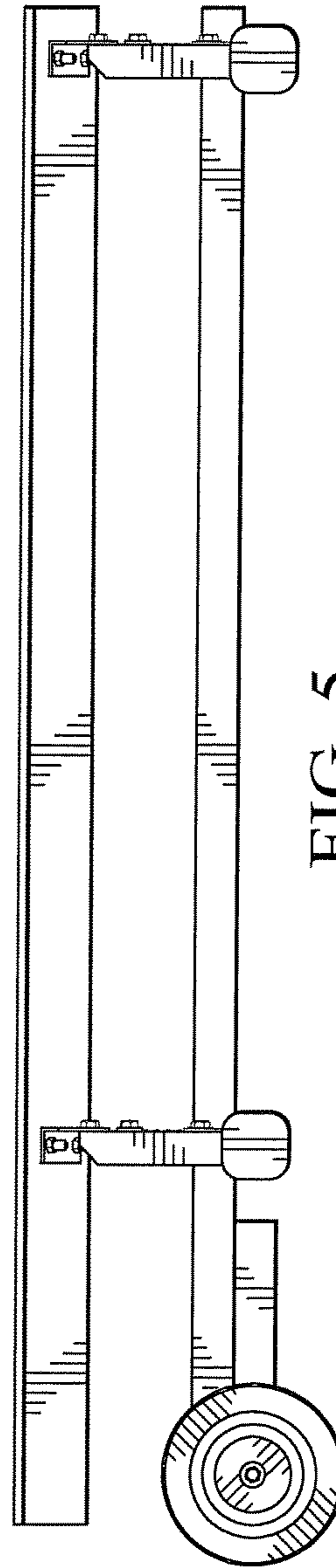


FIG. 5

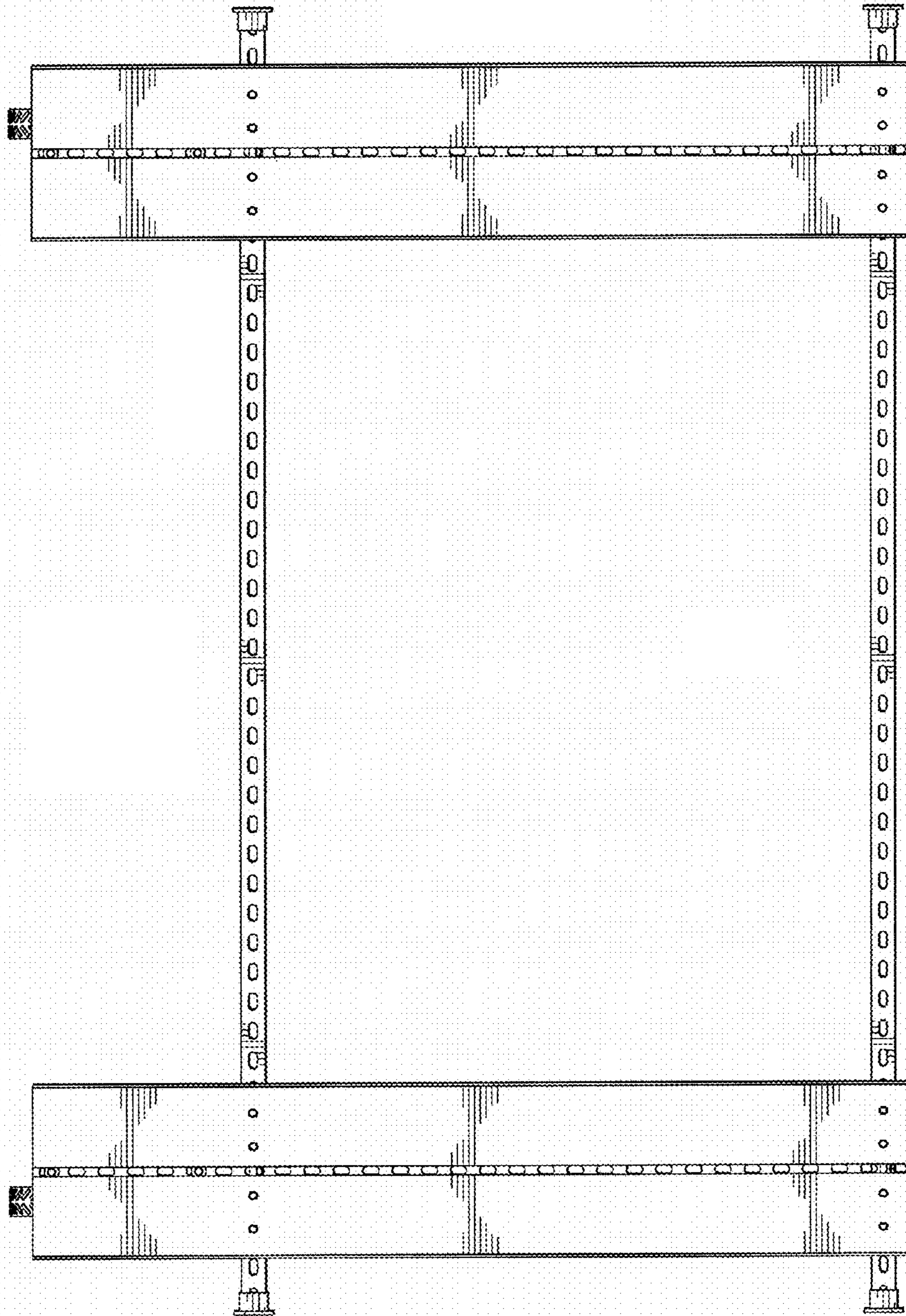


FIG. 6

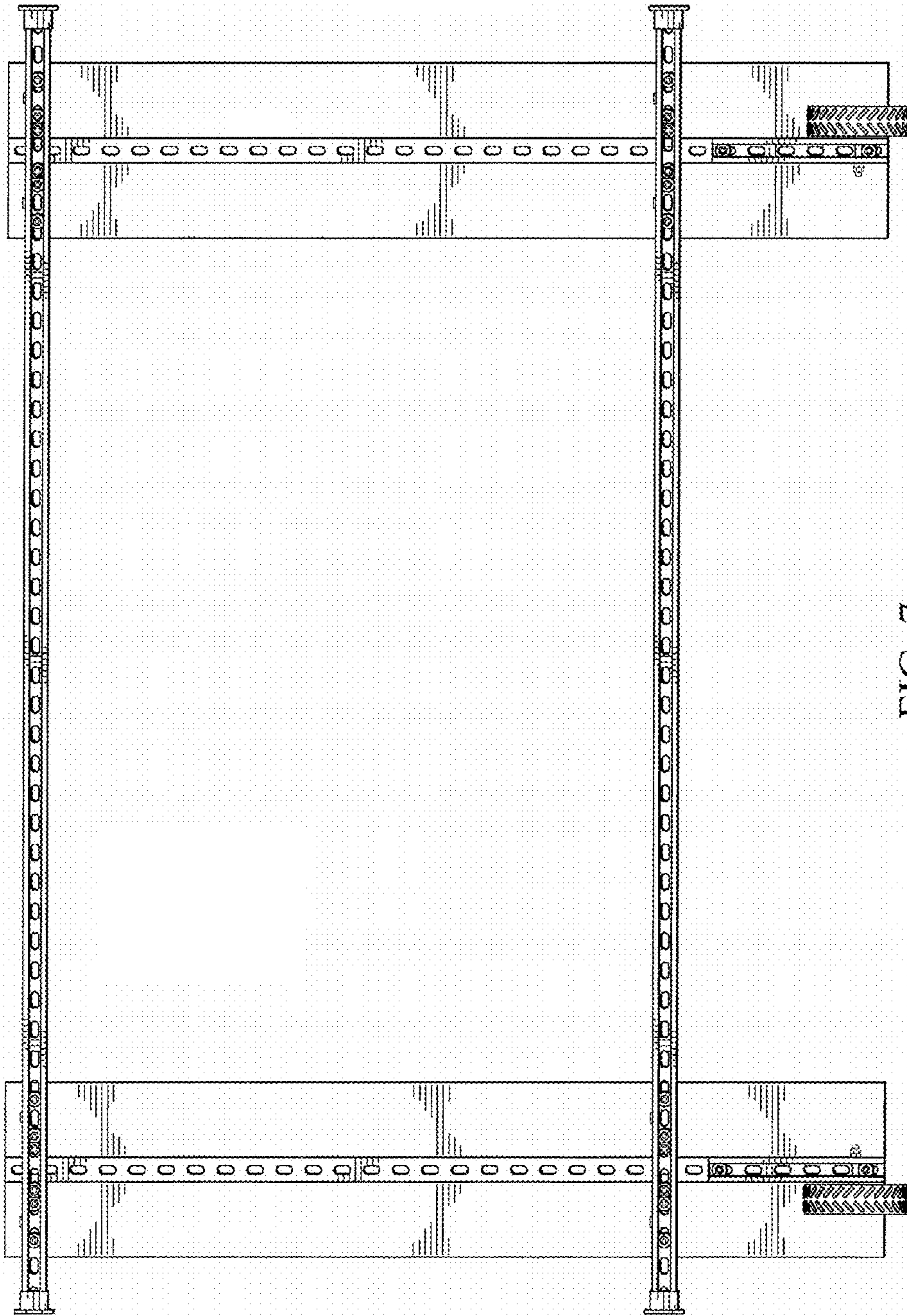


FIG. 7

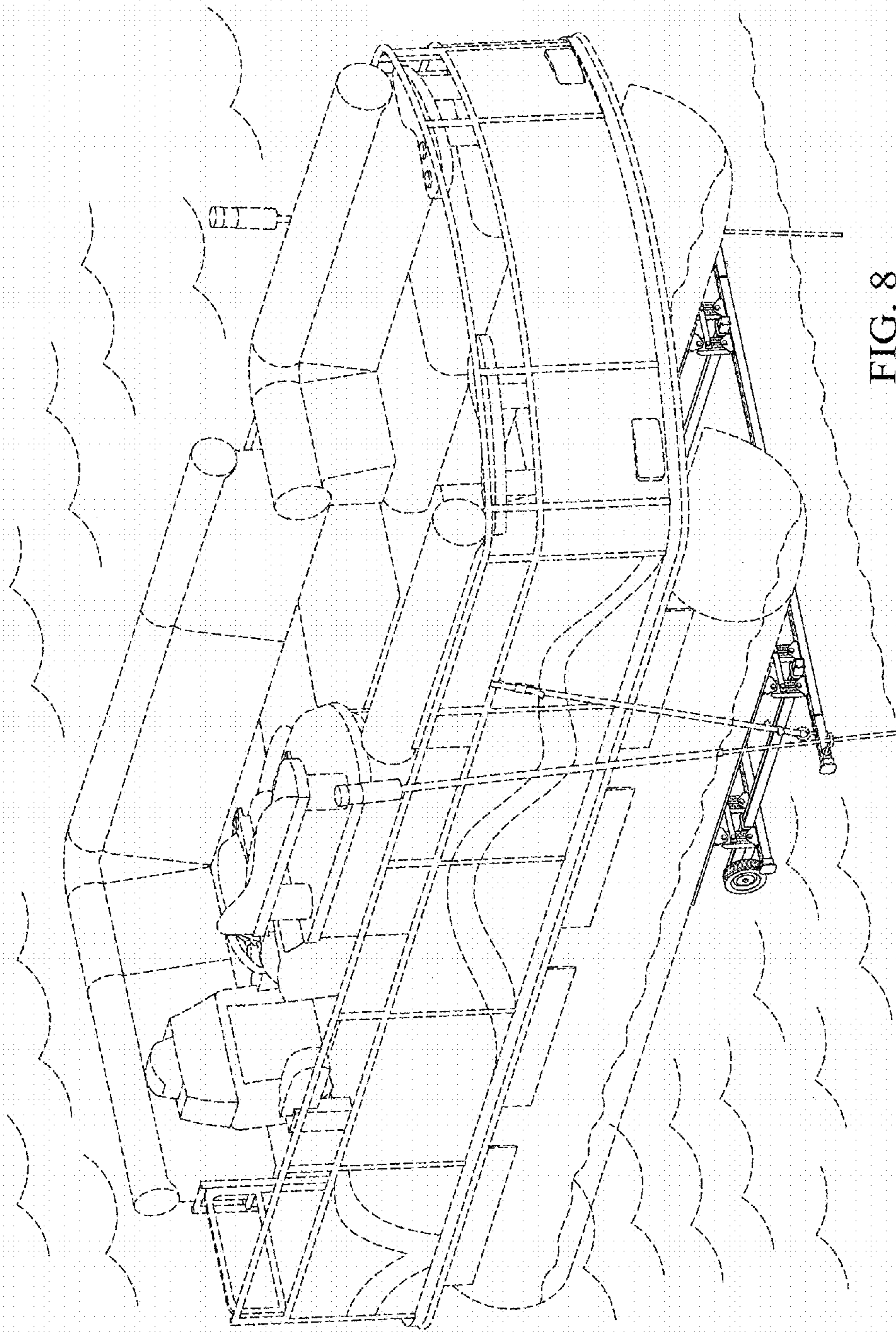


FIG. 8