



US00D764376S

(12) **United States Design Patent**  
**Braver et al.**

(10) **Patent No.:** **US D764,376 S**

(45) **Date of Patent:** **\*\* Aug. 23, 2016**

- (54) **MARINE VESSEL**
- (71) Applicants: **Skip Braver**, Opa Locka, FL (US);  
**Sidney Lanier**, Bradenton, FL (US)
- (72) Inventors: **Skip Braver**, Opa Locka, FL (US);  
**Sidney Lanier**, Bradenton, FL (US)
- (73) Assignee: **Cigarette Racing Team, LLC.**, Opa  
Locka, FL (US)
- (\*\*) Term: **14 Years**
- (21) Appl. No.: **29/521,055**
- (22) Filed: **Mar. 19, 2015**

- 4,688,506 A 8/1987 Van Breems
- 4,729,334 A 3/1988 DeJean, Jr.
- 4,744,778 A 5/1988 Porter
- 4,807,556 A 2/1989 Hillier
- D306,007 S 2/1990 DePrey et al.
- 4,917,037 A 4/1990 Hargett, Sr.
- D310,059 S 8/1990 Porter
- D315,892 S 4/1991 Tollefson et al.
- D319,424 S 8/1991 Marks
- 5,044,294 A 9/1991 Kronich et al.
- D322,240 S 12/1991 Carlson
- 5,136,963 A 8/1992 Zuzik
- D329,038 S 9/1992 Dekker et al.
- 5,143,013 A 9/1992 Huebner
- 5,211,126 A 5/1993 Johnson
- 5,224,297 A 7/1993 Watkins
- 5,232,385 A 8/1993 Hatfield

(Continued)

**Related U.S. Application Data**

- (63) Continuation-in-part of application No. 29/503,370,  
filed on Sep. 25, 2014.
- (51) **LOC (10) Cl.** ..... **12-06**
- (52) **U.S. Cl.**  
USPC ..... **D12/300**
- (58) **Field of Classification Search**  
USPC ..... D12/300, 302, 303, 304, 307, 310–314,  
D12/316, 317; 114/39.11–39.15,  
114/39.21–39.32, 61.1, 61.2, 61.32, 61.33,  
114/62, 355–358, 271, 273, 283, 288–292,  
114/343, 363; 440/27, 35  
CPC ..... B63B 17/00; B63B 17/02; B63B 35/81;  
B63B 35/816; B62B 21/04  
See application file for complete search history.

(56) **References Cited**

**U.S. PATENT DOCUMENTS**

- D246,035 S 10/1977 Rudiger
- 4,425,861 A 1/1984 Raikamo
- 4,469,040 A 9/1984 Gougeon et al.
- D277,472 S 2/1985 Alter
- D280,094 S 8/1985 Riviezzo
- 4,548,155 A 10/1985 Hegg et al.
- D290,949 S 7/1987 Scarboro

**FOREIGN PATENT DOCUMENTS**

EM 1380455-0001 8/2013

*Primary Examiner* — Cynthia M Chin

(74) *Attorney, Agent, or Firm* — Malloy & Malloy, P.L.

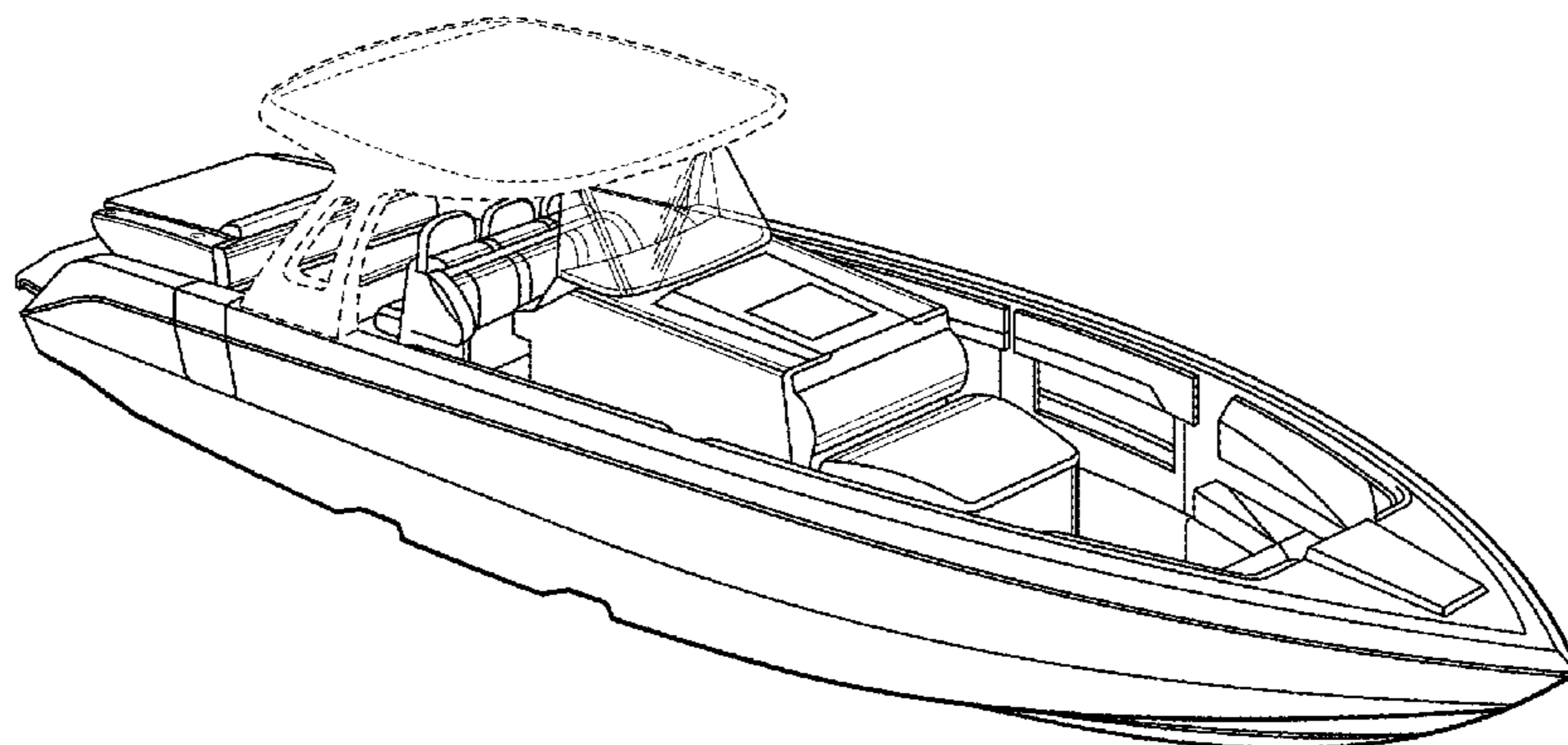
(57) **CLAIM**

The ornamental design for a marine vessel, as shown and described.

**DESCRIPTION**

FIG. 1 is a perspective view illustrating my design for a marine vessel;  
 FIG. 2 is a right side elevation view thereof;  
 FIG. 3 is a left side elevation view thereof;  
 FIG. 4 is a top plan view thereof;  
 FIG. 5 is a top plan view of the marine vessel with the top removed;  
 FIG. 6 is a bottom plan view thereof;  
 FIG. 7 is a front elevation view thereof; and,  
 FIG. 8 is a rear elevation view thereof.  
 The broken lines in the drawings are for illustrative purposes only and form no part of the claimed design.

**1 Claim, 8 Drawing Sheets**



(56)

References Cited

U.S. PATENT DOCUMENTS

D345,339 S	3/1994	Wenstadt et al.					
D349,090 S	7/1994	Wenstadt					
D357,223 S	4/1995	Thompson et al.					
D375,479 S	11/1996	Lapointe et al.					
5,715,770 A	2/1998	Heyworth					
D393,443 S *	4/1998	Cassell .....	D12/314				
5,934,215 A	8/1999	Burg					
5,937,777 A	8/1999	Azima					
D429,682 S	8/2000	Garland et al.					
D430,098 S	8/2000	Vuckovis					
6,131,340 A	10/2000	Clark et al.					
6,354,236 B1	3/2002	Davidson					
6,701,863 B2	3/2004	Kalhok et al.					
D509,469 S	9/2005	Longpre et al.					
D514,054 S *	1/2006	Blount .....	D12/300				
D524,714 S *	7/2006	Barbeito .....	D12/300				
D547,256 S	7/2007	Kalil					
7,237,503 B2	7/2007	Stepp					
D548,666 S	8/2007	Laupman					
7,255,054 B1	8/2007	DiGregorio					
D553,071 S	10/2007	De Rover					
D574,313 S	8/2008	De Rover					
D587,641 S	3/2009	Bouckaert					
				7,591,228 B2	9/2009	Hopper et al.	
				D642,108 S	7/2011	Gros	
				8,443,746 B2	5/2013	Pegg et al.	
				D700,127 S	2/2014	Fuller, IV	
				D717,226 S	11/2014	Braver et al.	
				D726,635 S	4/2015	Curts	
				9,003,997 B2 *	4/2015	Gratz .....	B63B 17/00 114/362
				9,021,972 B1	5/2015	Braver et al.	
				D738,284 S	9/2015	Okuyama et al.	
				D743,318 S	11/2015	Curts	
				2005/0087117 A1	4/2005	Scott et al.	
				2007/0006789 A1	1/2007	Davidson et al.	
				2009/0227157 A1	9/2009	Mochizuki	
				2010/0037814 A1	2/2010	Sahr et al.	
				2010/0282154 A1	11/2010	Cook et al.	
				2010/0319604 A1	12/2010	Mayrand et al.	
				2011/0197800 A1	8/2011	Kalil	
				2011/0223815 A1	9/2011	Kinoshita	
				2012/0028517 A1	2/2012	Mochizuki et al.	
				2013/0055944 A1	3/2013	Poulsen	
				2013/0160695 A1	6/2013	Gratz et al.	
				2013/0247813 A1	9/2013	Pegg et al.	
				2014/0116319 A1	5/2014	Dougherty et al.	
				2014/0202372 A1	7/2014	De Basto et al.	
				2014/0216320 A1	8/2014	Lee	

\* cited by examiner

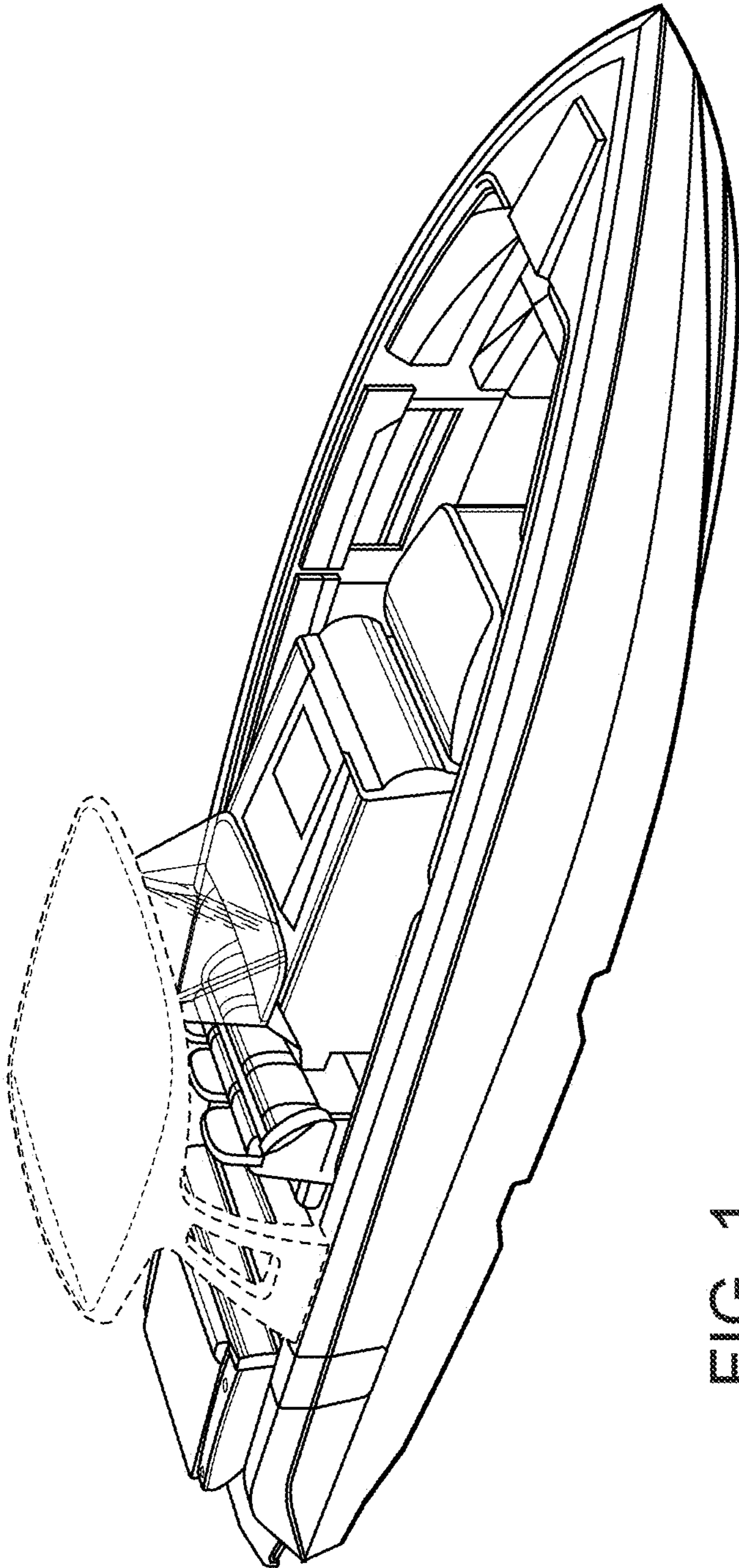


FIG. 1

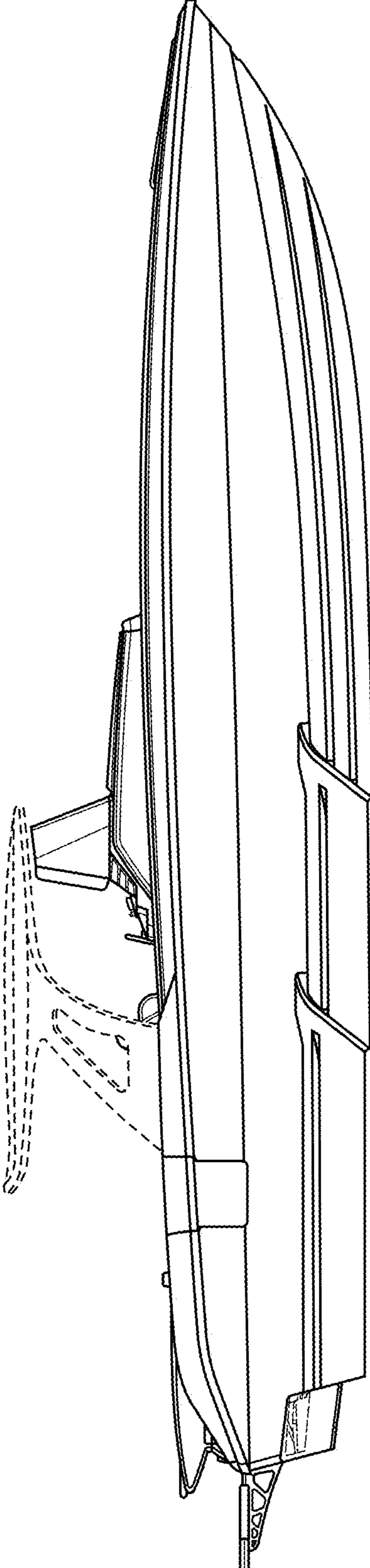


FIG. 2



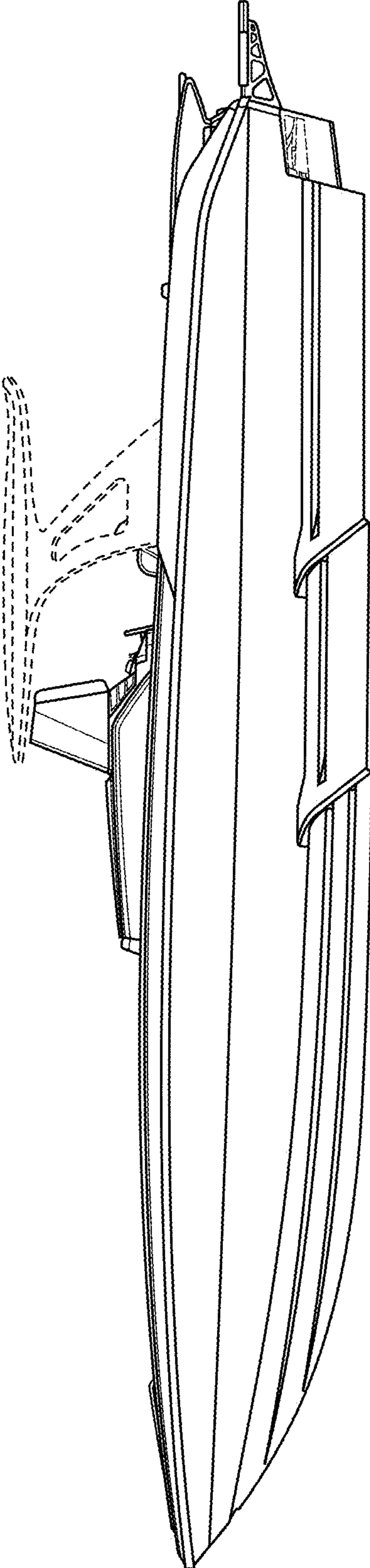


FIG. 3

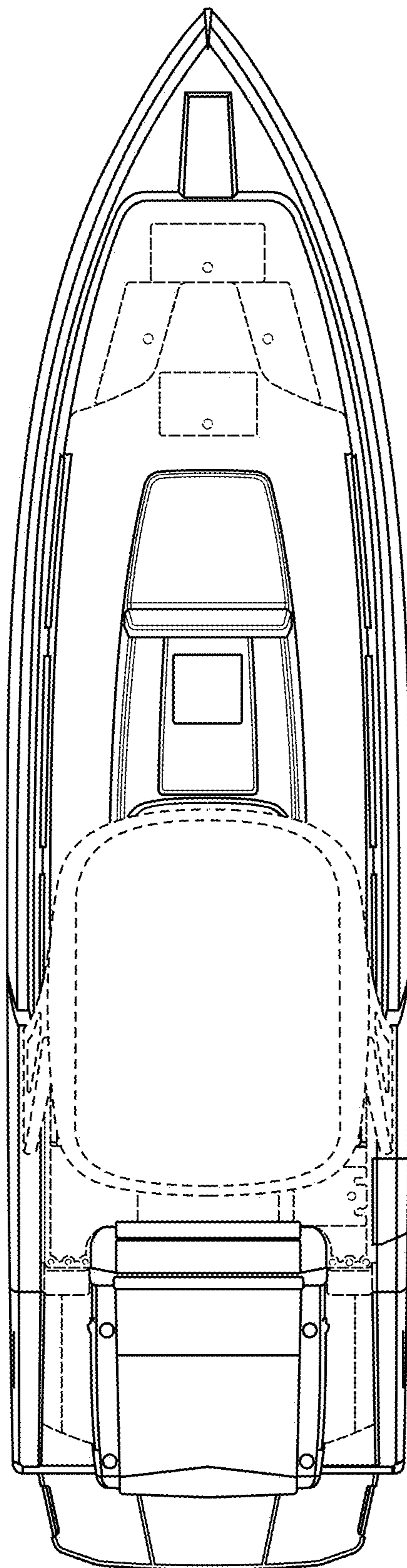


FIG. 4

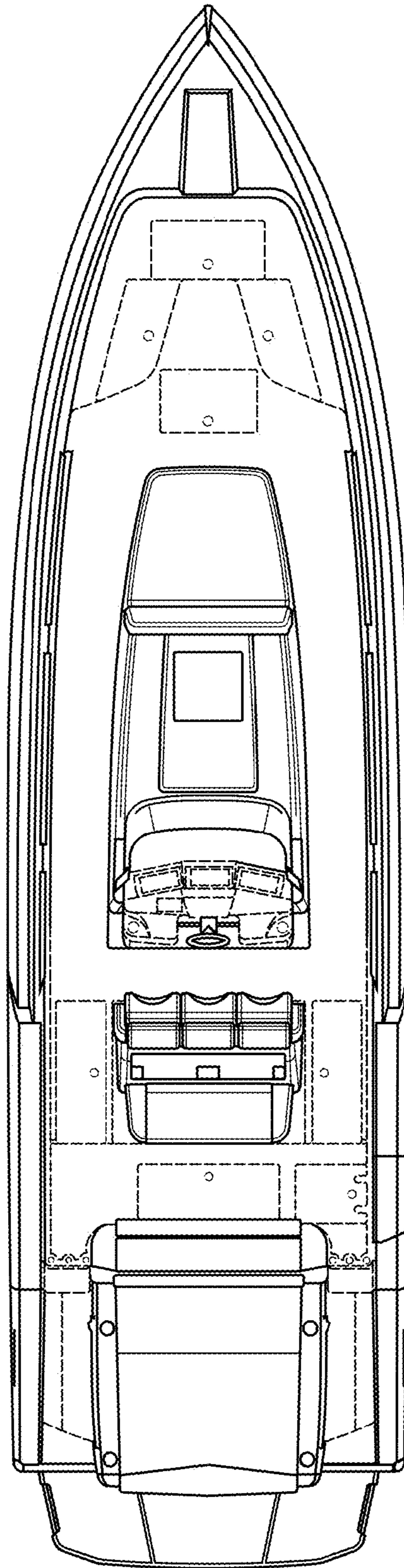


FIG. 5

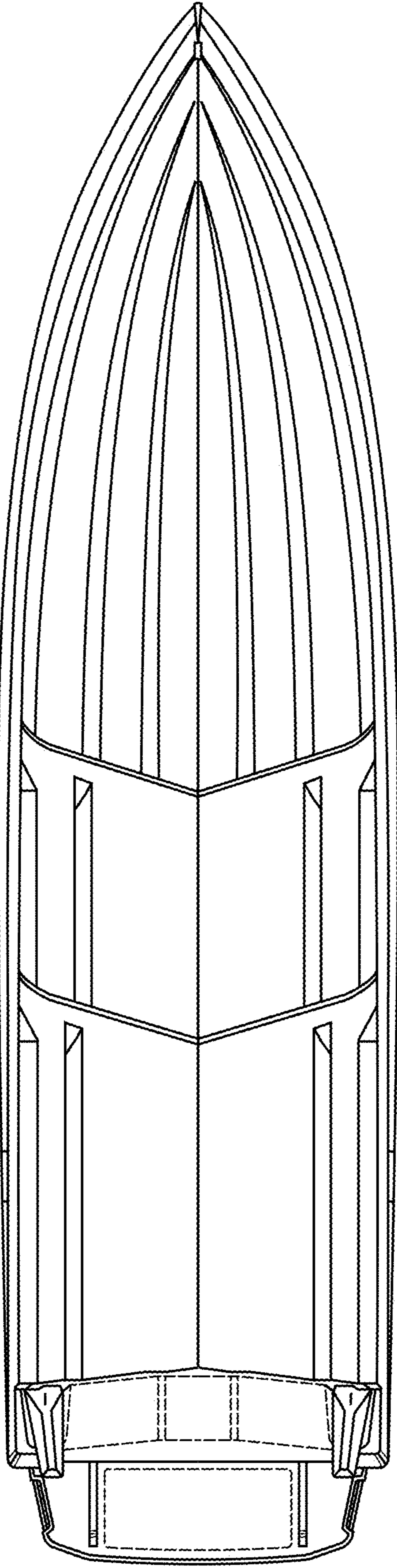


FIG. 6



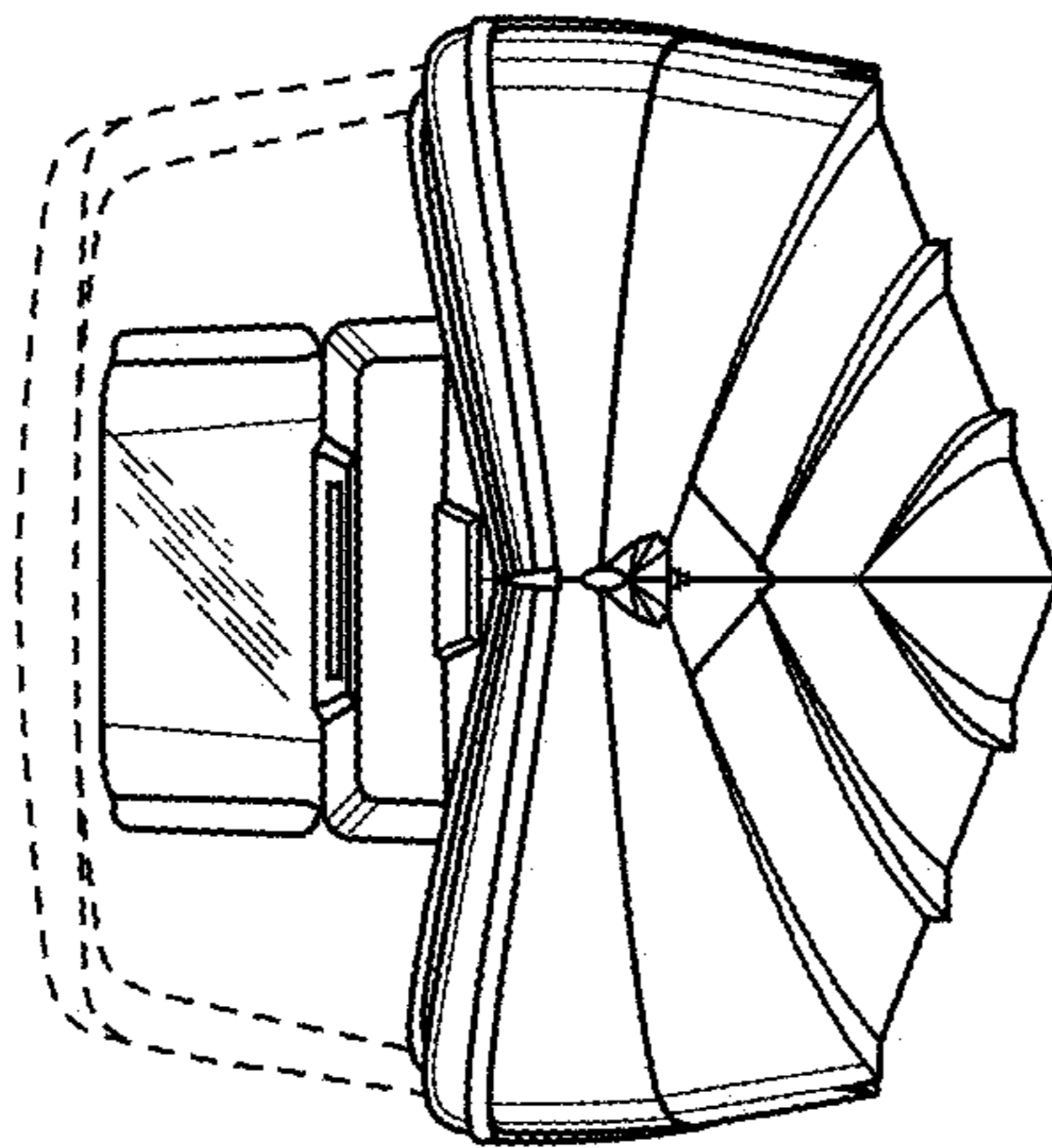


FIG. 7

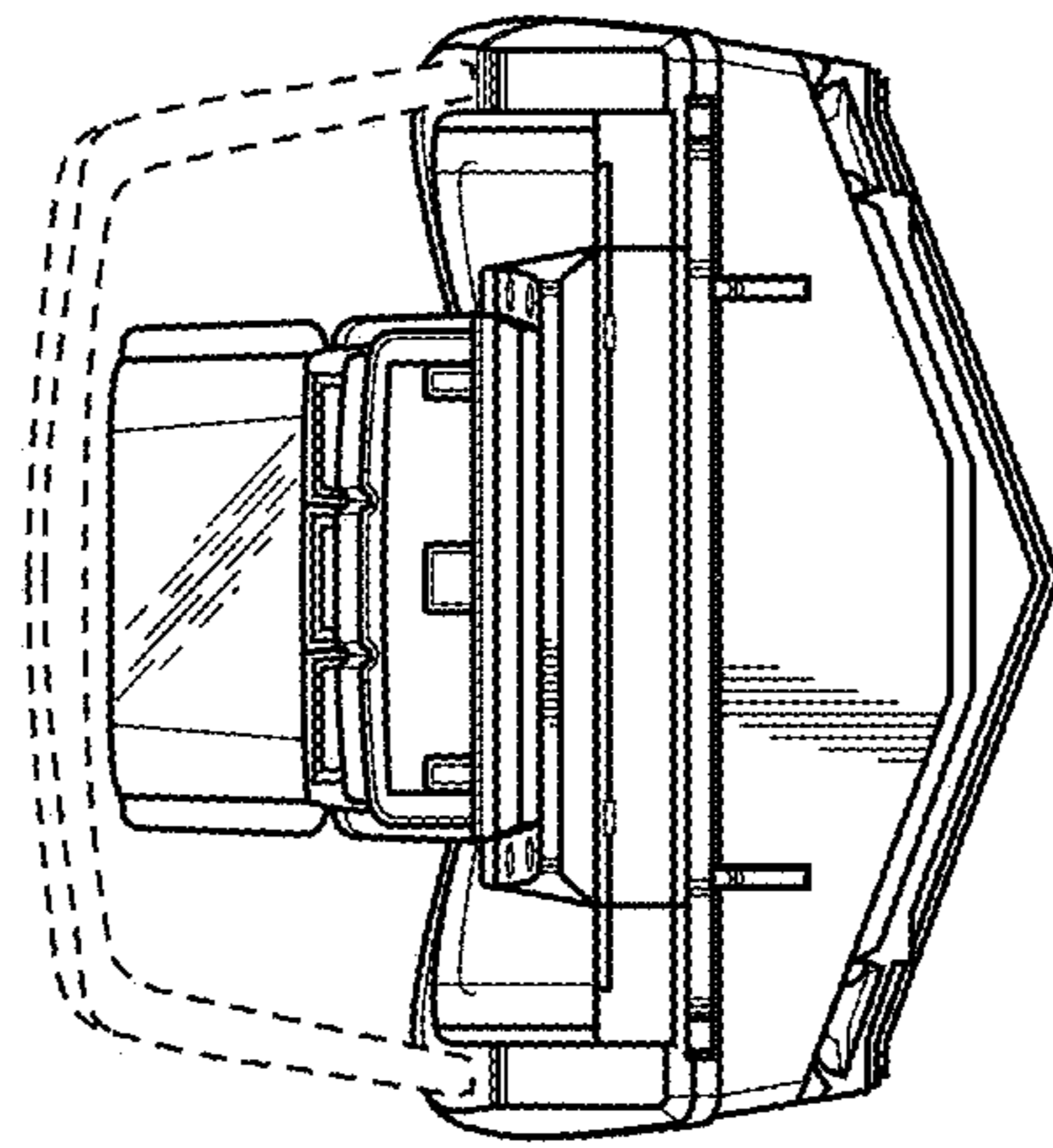


FIG. 8