

US00D764371S

(12) **United States Design Patent**  
**Zhao**

(10) **Patent No.:** **US D764,371 S**

(45) **Date of Patent:** **\*\* Aug. 23, 2016**

- (54) **AUTOMOBILE WHEEL**
- (71) Applicant: **John Zhao**, Monterey Park, CA (US)
- (72) Inventor: **John Zhao**, Monterey Park, CA (US)
- (73) Assignee: **Wah Hung Group Inc.**, Monterey Park, CA (US)
- (\*\*) Term: **14 Years**
- (21) Appl. No.: **29/504,591**
- (22) Filed: **Oct. 7, 2014**
- (51) **LOC (10) Cl.** ..... **12-16**
- (52) **U.S. Cl.**  
USPC ..... **D12/211**
- (58) **Field of Classification Search**  
USPC ..... D12/204–213; 301/37.101, 64.101, 65  
See application file for complete search history.

D697,860 S *	1/2014	Borkert	.....	D12/211
D708,110 S *	7/2014	Borkert	.....	D12/211
D719,076 S *	12/2014	McLeod	.....	D12/211
D723,986 S *	3/2015	Lemke	.....	D12/209
D726,619 S *	4/2015	Gotschke	.....	D12/209
D727,826 S *	4/2015	Chung	.....	D12/211
D731,389 S *	6/2015	Gotschke	.....	D12/211
D736,135 S *	8/2015	Grake	.....	D12/211

\* cited by examiner

*Primary Examiner* — Ian Simmons

*Assistant Examiner* — Samantha Q Lawrence

(74) *Attorney, Agent, or Firm* — Adli Law Group P.C.

(57) **CLAIM**

I claim the ornamental design for an automobile wheel, as shown and described.

**DESCRIPTION**

FIG. 1 is a perspective view of an automobile wheel according to the claimed design; and, FIG. 2 is a front elevational view of the automobile wheel according to the claimed design.

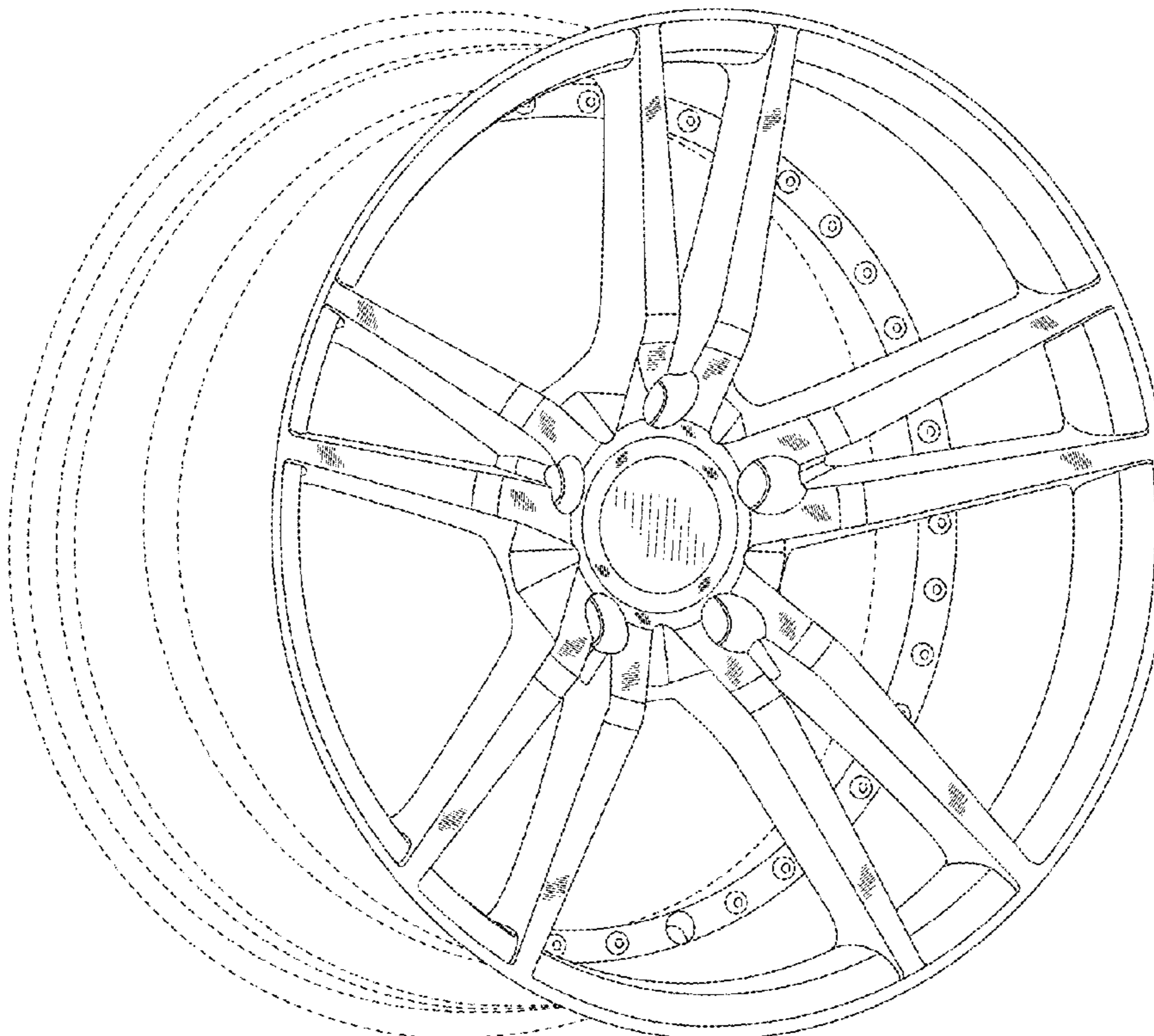
The ornamental design which is claimed is shown in solid lines in the drawings. The broken lines shown in FIG. 1 illustrate portions of the automobile wheel that form no part of the claimed design.

**1 Claim, 2 Drawing Sheets**

(56) **References Cited**

U.S. PATENT DOCUMENTS

D428,846 S *	8/2000	Yoshida	.....	D12/211
D513,487 S *	1/2006	Wachtler	.....	D12/209
D656,879 S *	4/2012	Gallert	.....	D12/211
D686,132 S *	7/2013	Truebsbach	.....	D12/209
D691,081 S *	10/2013	Watkin	.....	D12/211



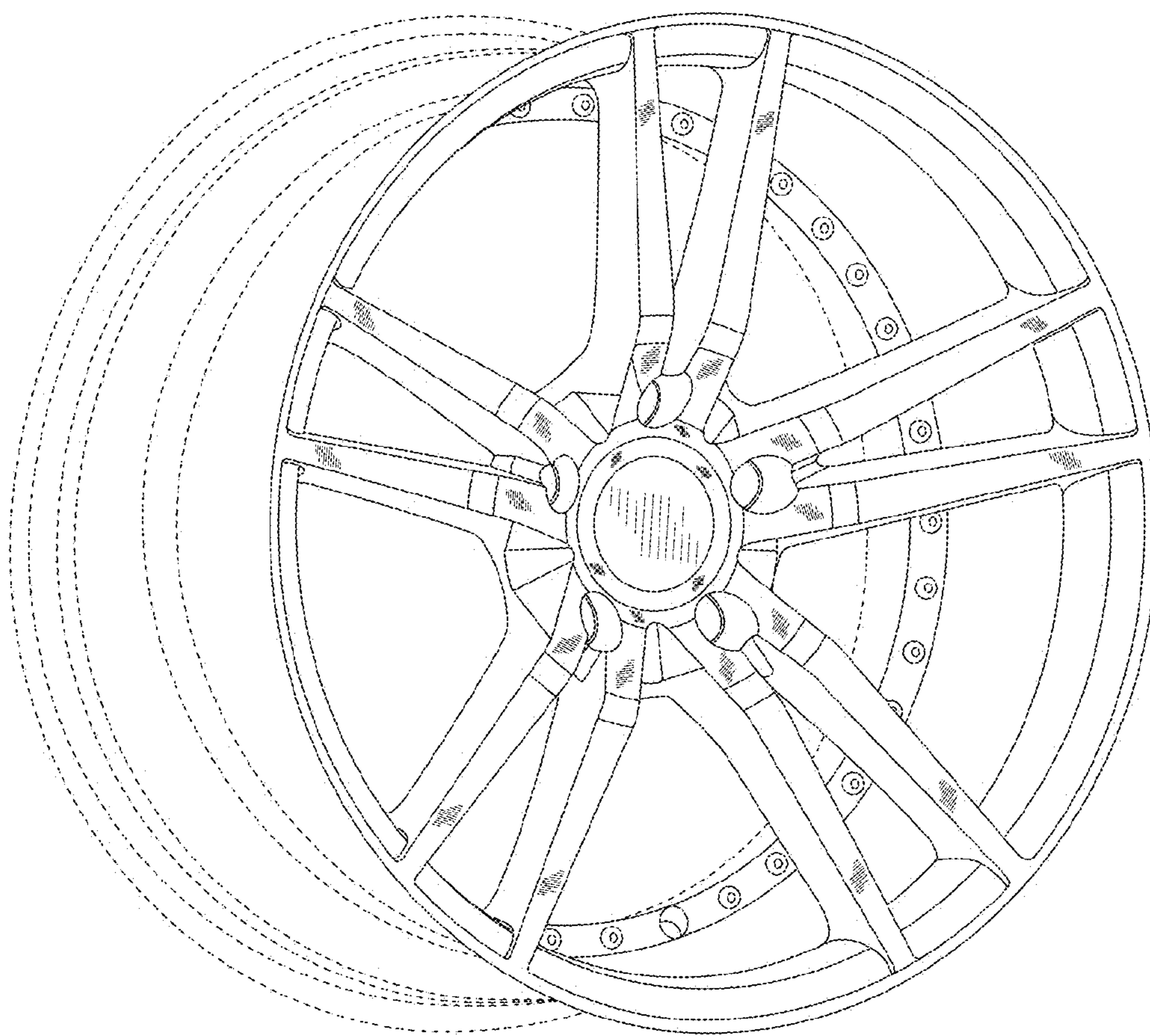


FIG. 1

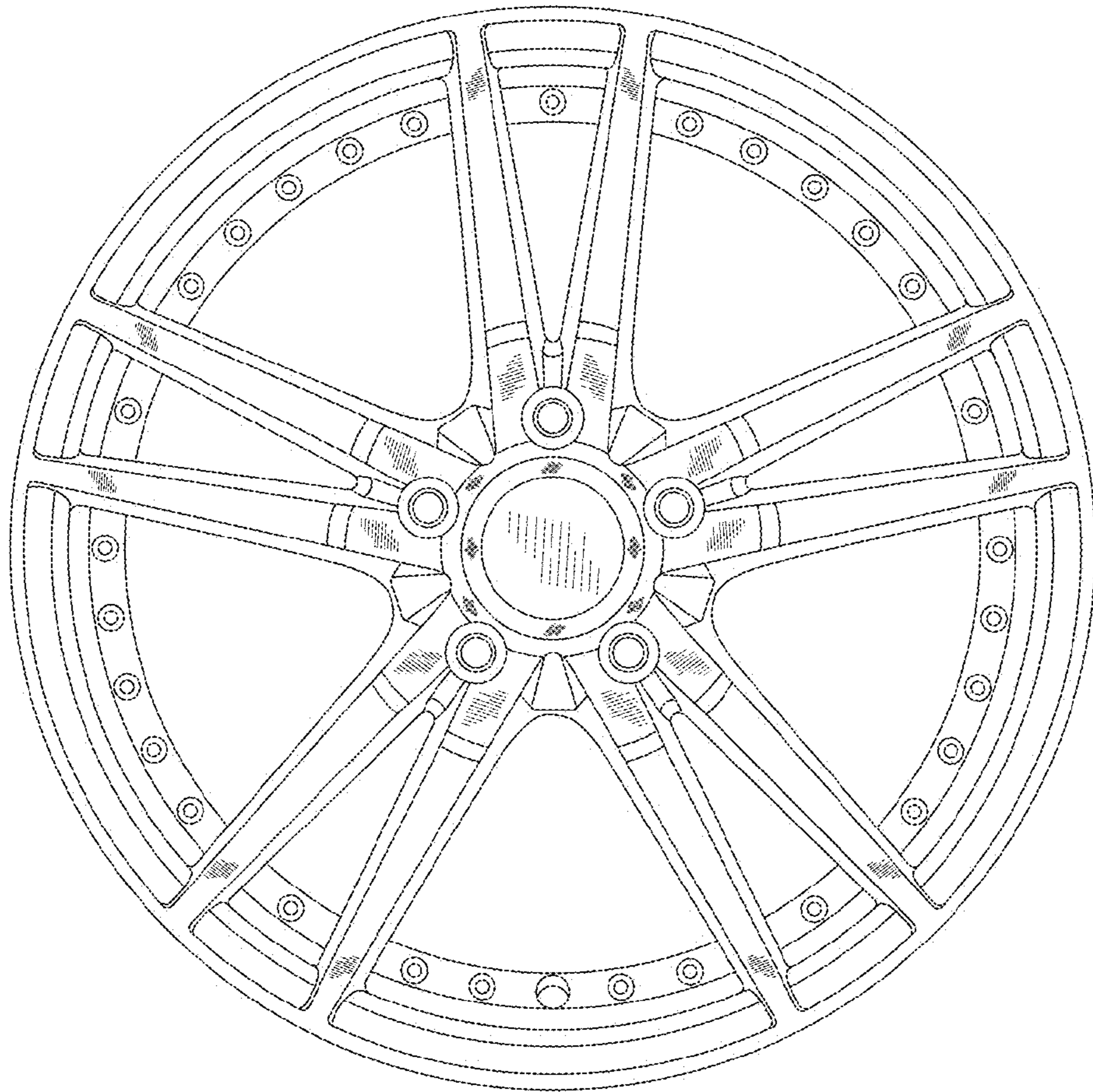


FIG. 2