



US00D764370S

(12) **United States Design Patent**
Chung

(10) **Patent No.:** **US D764,370 S**

(45) **Date of Patent:** **** Aug. 23, 2016**

(54) **AUTOMOTIVE WHEEL**

(71) Applicant: **Suny Chung**, Anaheim, CA (US)

(72) Inventor: **Suny Chung**, Anaheim, CA (US)

(**) Term: **15 Years**

(21) Appl. No.: **29/538,599**

(22) Filed: **Sep. 4, 2015**

(51) **LOC (10) Cl.** **12-16**

(52) **U.S. Cl.**
USPC **D12/209**

(58) **Field of Classification Search**
USPC D12/204–213
CPC B60B 7/00; B60B 7/02; B60B 7/04;
B60B 7/01; B60B 7/06; B60B 3/02; B60B
3/04; B60B 3/06; B60B 3/10; B60B 1/00;
B60B 1/08; B60B 1/10; B60B 1/12
See application file for complete search history.

(56) **References Cited**

U.S. PATENT DOCUMENTS

D405,409 S *	2/1999	Baumgartner	D12/211
D406,092 S *	2/1999	Baumgartner	D12/211
D451,067 S *	11/2001	Frizzi	D12/211
D472,865 S *	4/2003	Wechner	D12/211

D527,332 S *	8/2006	Khan	D12/211
D553,069 S *	10/2007	Ettensberger	D12/211
D597,015 S *	7/2009	Juergens	D12/211
D622,199 S *	8/2010	Gallert	D12/211
D630,144 S *	1/2011	Chung	D12/209
D635,076 S *	3/2011	De Bono	D12/209
D636,320 S *	4/2011	Lamm	D12/211
D638,339 S *	5/2011	Tirado	D12/209
D638,340 S *	5/2011	Park	D12/209
D660,769 S *	5/2012	Pollmann	D12/211
D661,239 S *	6/2012	Pollmann	D12/209
D684,517 S *	6/2013	Scheinutte	D12/211
D713,773 S *	9/2014	Scheinutte	D12/209
D723,990 S *	3/2015	Muntada Roura	D12/209
D746,208 S *	12/2015	Battams	D12/209

* cited by examiner

Primary Examiner — Stacia Cadmus

(57) **CLAIM**

The ornamental design for an automotive wheel, as shown and described.

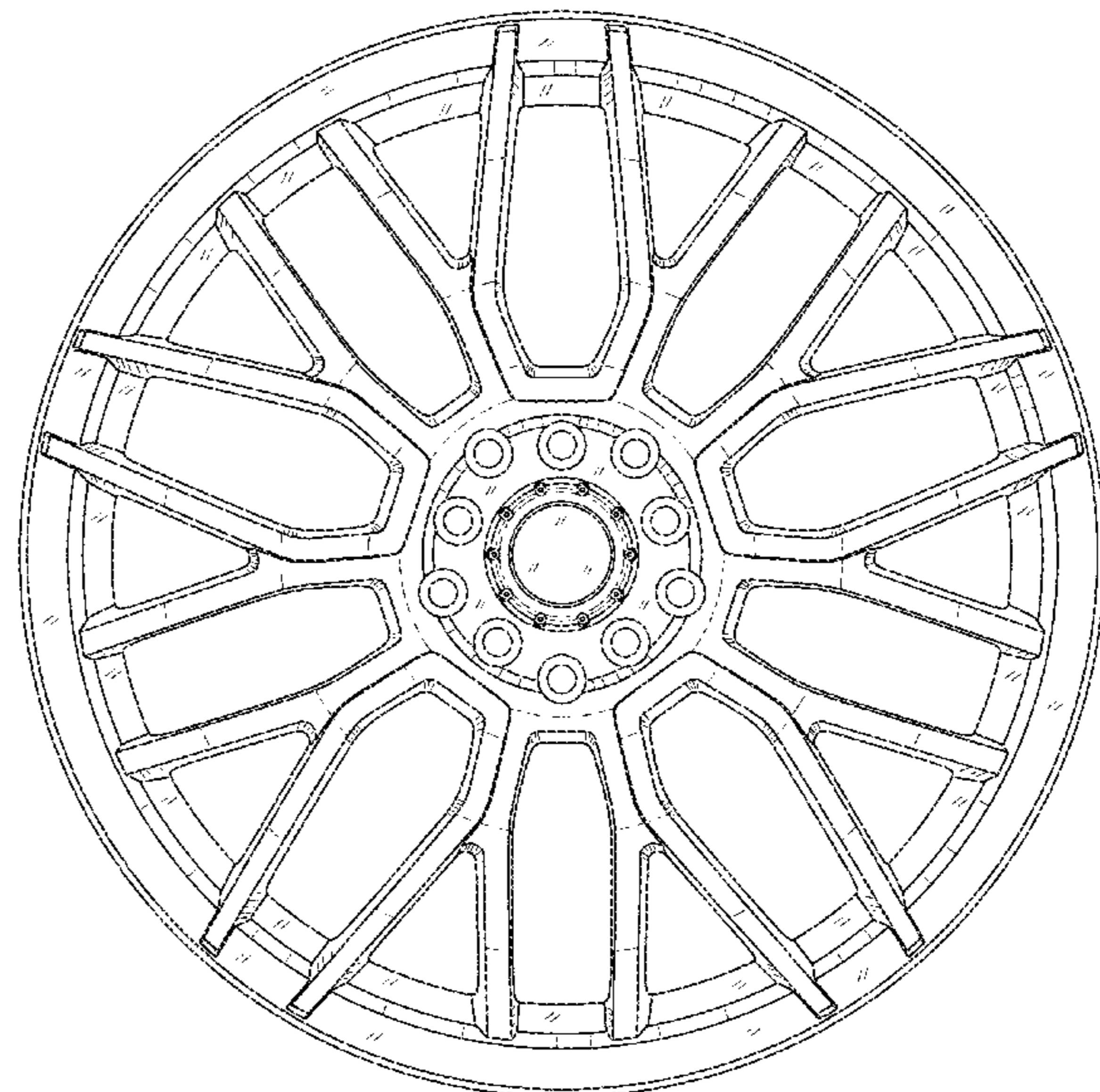
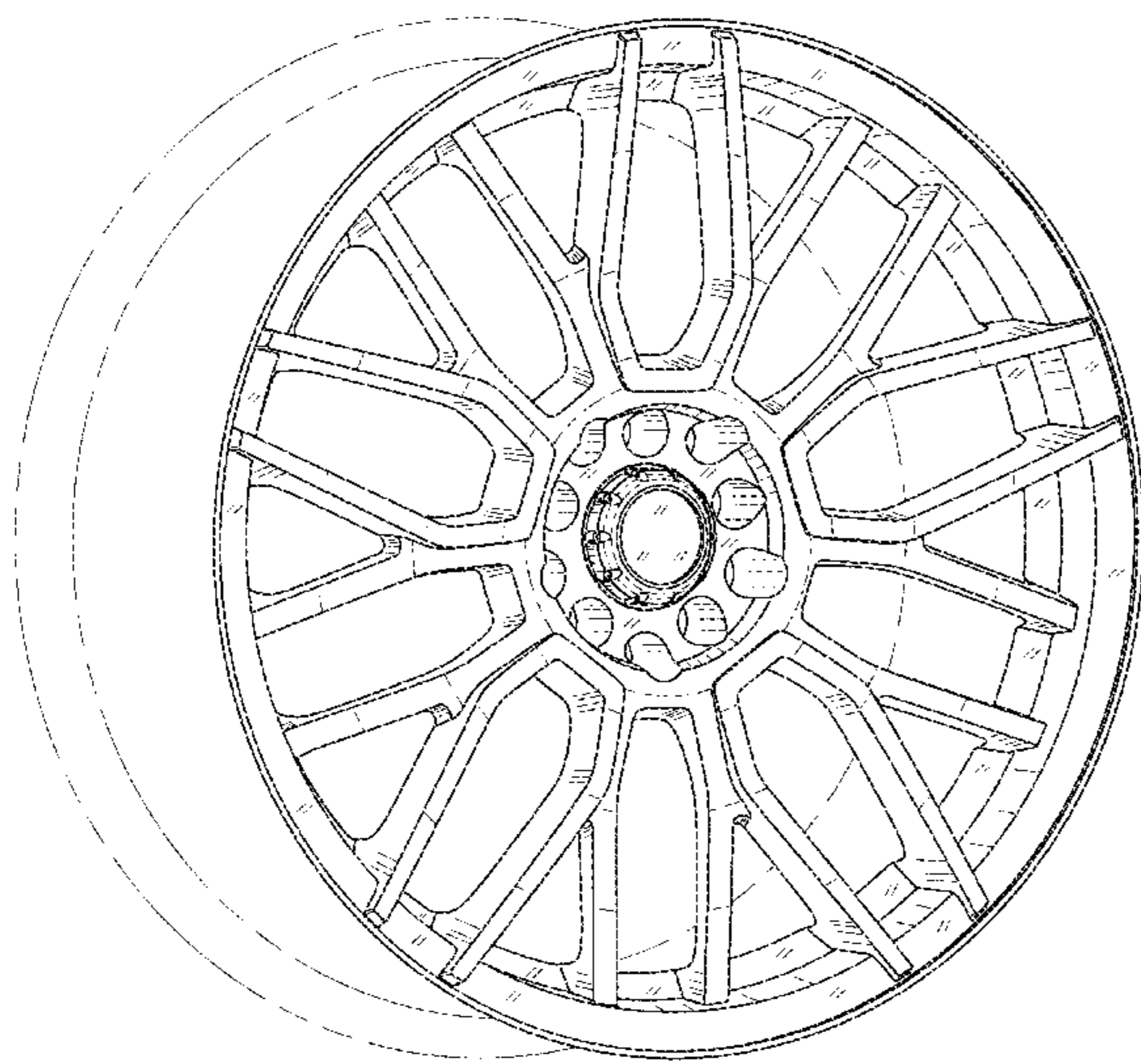
DESCRIPTION

FIG. 1 is a perspective view of an automotive wheel, showing my new design; and,

FIG. 2 is a front view thereof.

The broken line showing of the rear portion of the wheel is included for the purpose of illustrating environment and forms no part of the claimed design.

1 Claim, 2 Drawing Sheets



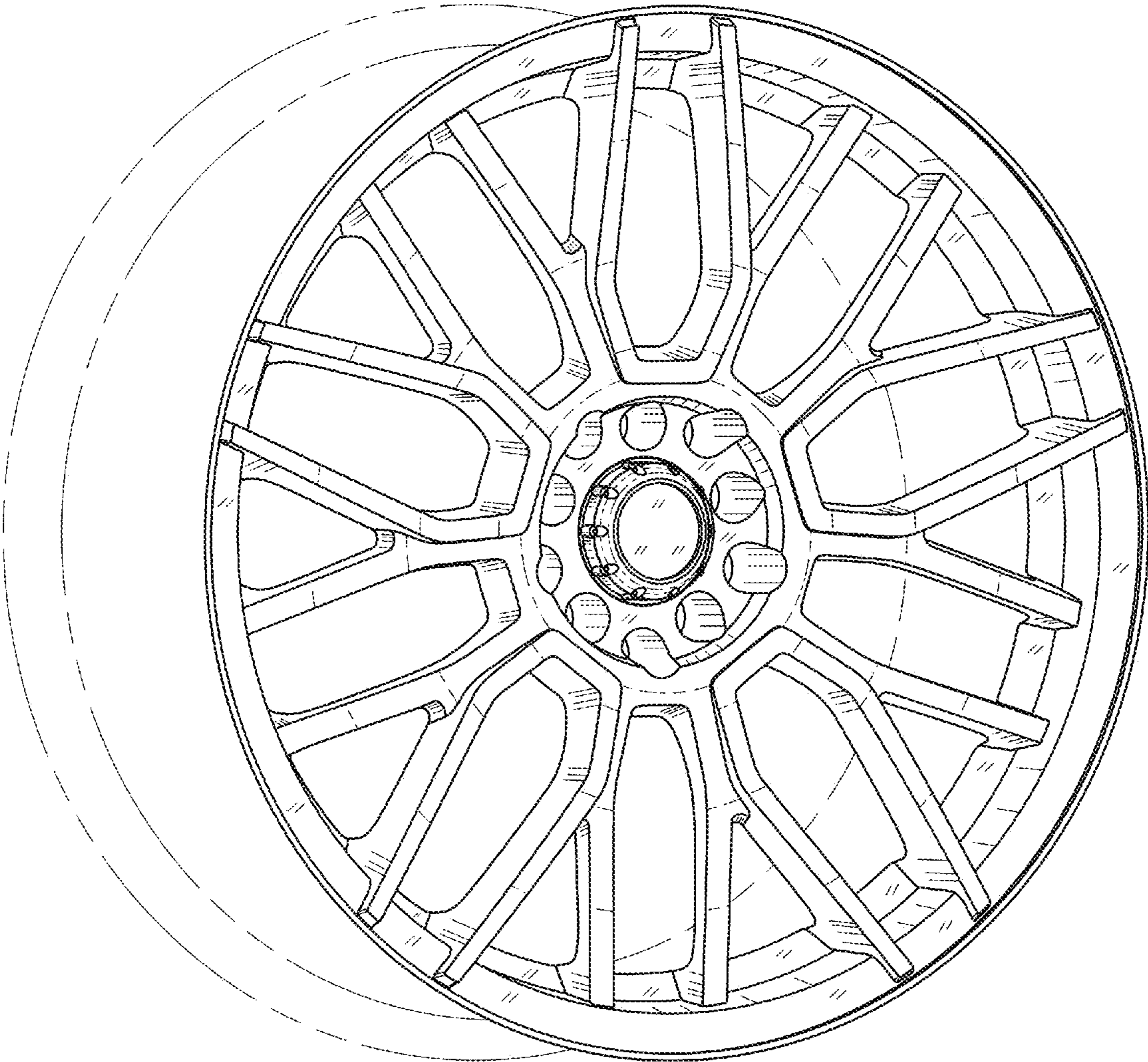


FIGURE 1

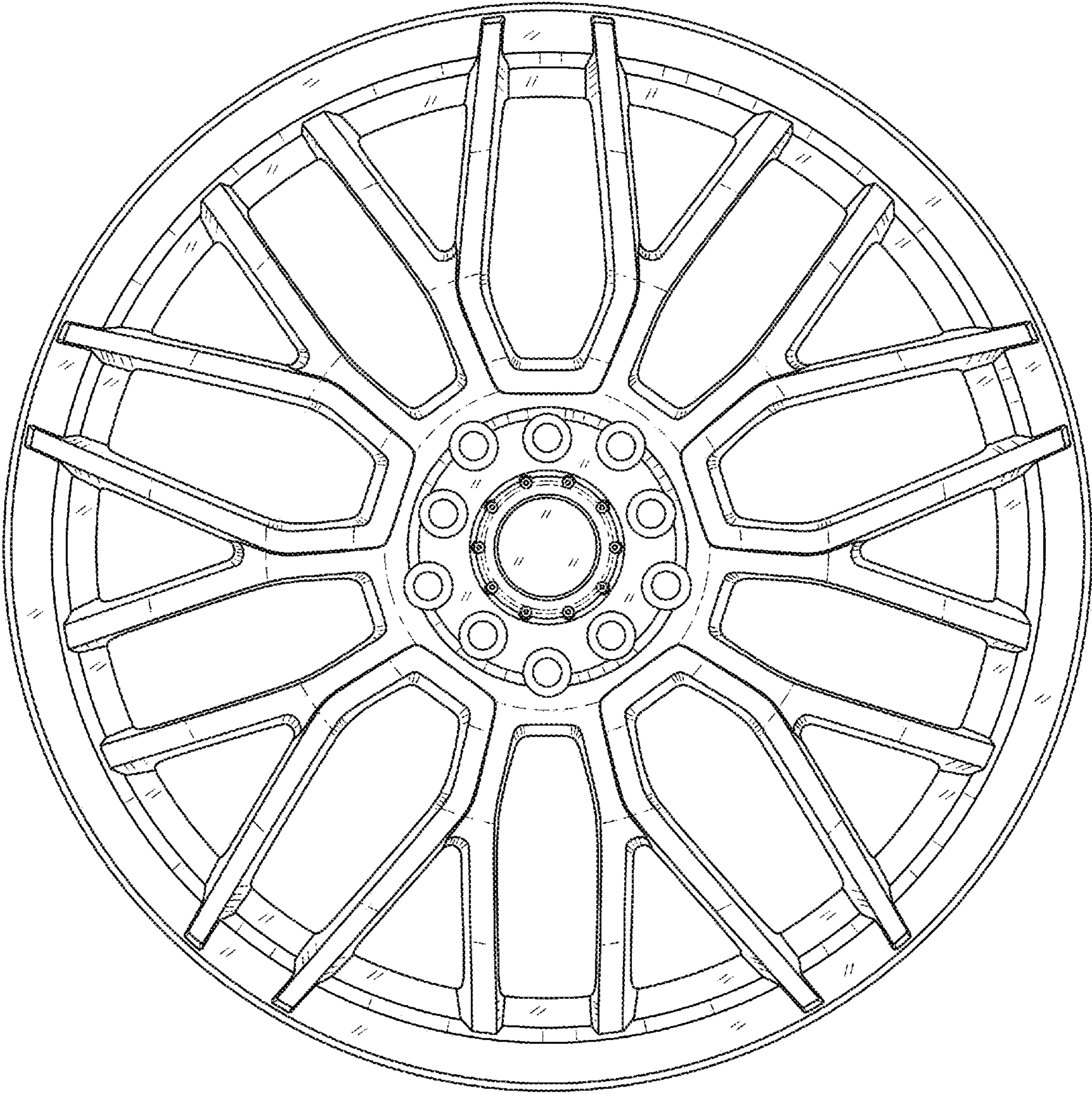


FIGURE 2