



US00D764366S

(12) **United States Design Patent**
Zhao

(10) **Patent No.:** **US D764,366 S**

(45) **Date of Patent:** **** Aug. 23, 2016**

- (54) **AUTOMOBILE WHEEL**
- (71) Applicant: **John Zhao**, Monterey Park, CA (US)
- (72) Inventor: **John Zhao**, Monterey Park, CA (US)
- (73) Assignee: **Wah Hung Group Inc.**, Monterey Park, CA (US)
- (**) Term: **14 Years**
- (21) Appl. No.: **29/503,755**
- (22) Filed: **Sep. 29, 2014**
- (51) **LOC (10) Cl.** **13-16**
- (52) **U.S. Cl.**
USPC **D12/208**
- (58) **Field of Classification Search**
USPC D12/204-213; 301/37.101, 64.101, 65
See application file for complete search history.

D588,517 S *	3/2009	Aroney	D12/211
D593,477 S *	6/2009	Chen et al.	D12/211
D627,701 S *	11/2010	Hilpert	D12/211
D641,302 S *	7/2011	Ettensberger	D12/211
D682,765 S *	5/2013	Alfonso	D12/211
D682,766 S *	5/2013	Zhao	D12/211
D683,688 S *	6/2013	Alfonso	D12/211
D701,157 S *	3/2014	McMath	D12/211
D730,261 S *	5/2015	Johnson	D12/211

* cited by examiner

Primary Examiner — Ian Simmons
Assistant Examiner — Samantha Q Lawrence
(74) *Attorney, Agent, or Firm* — Adli Law Group P.C.

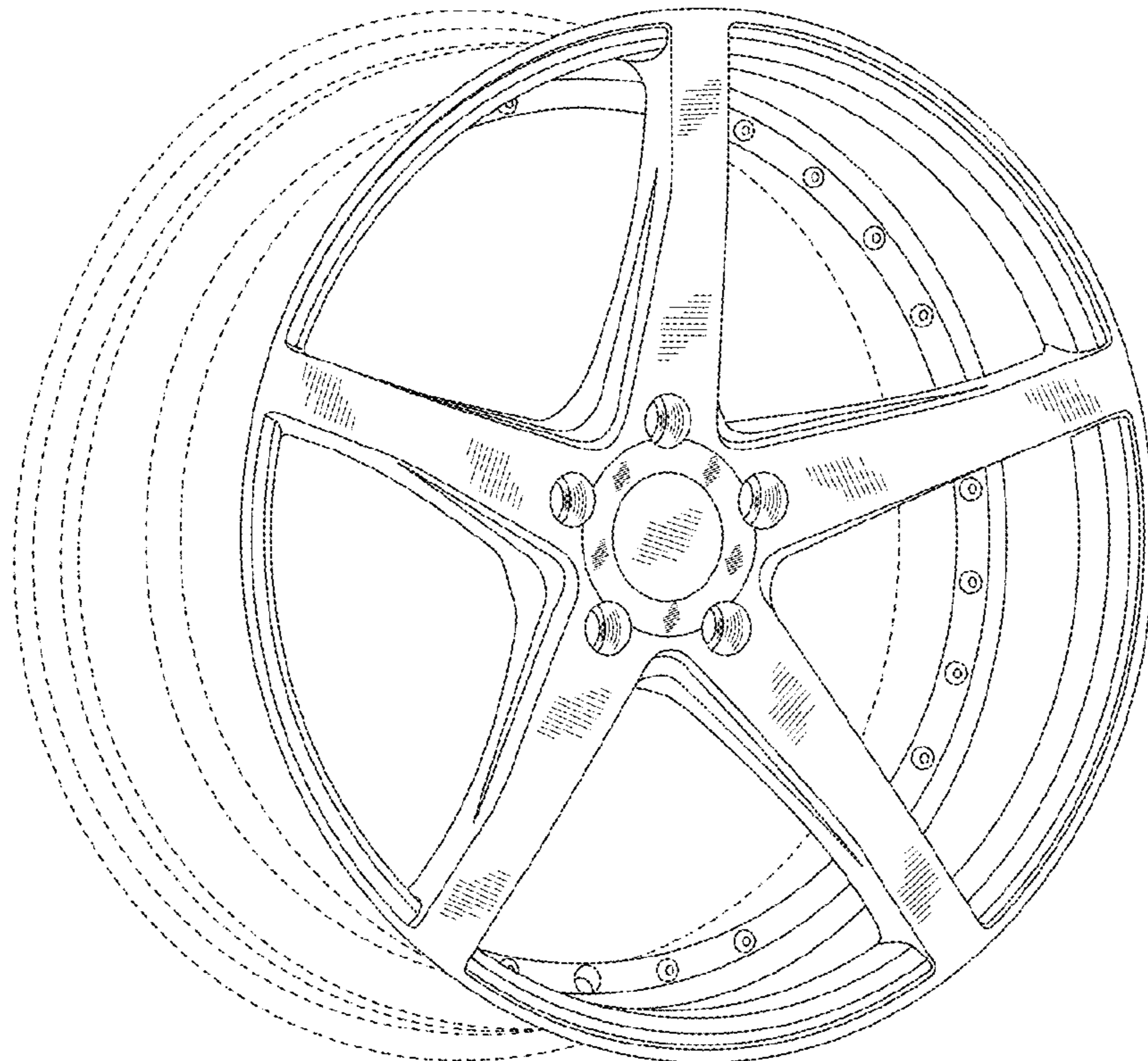
(57) **CLAIM**
I claim the ornamental design for an automobile wheel, as shown and described.

DESCRIPTION

FIG. 1 is a perspective view of an automobile wheel according to the claimed design; and, FIG. 2 is a front elevational view of the automobile wheel according to the claimed design. The ornamental design which is claimed is shown in solid lines in the drawings. The broken lines shown in FIG. 1 illustrate portions of the automobile wheel that form no part of the claimed design.

1 Claim, 2 Drawing Sheets

- (56) **References Cited**
U.S. PATENT DOCUMENTS
D466,068 S * 11/2002 Maifrini D12/211
D515,492 S * 2/2006 Fitzgerald D12/211
7,097,730 B2 * 8/2006 Woelfel et al. 156/290
D542,211 S * 5/2007 Hieke D12/211
D553,067 S * 10/2007 Muzzarelli D12/211



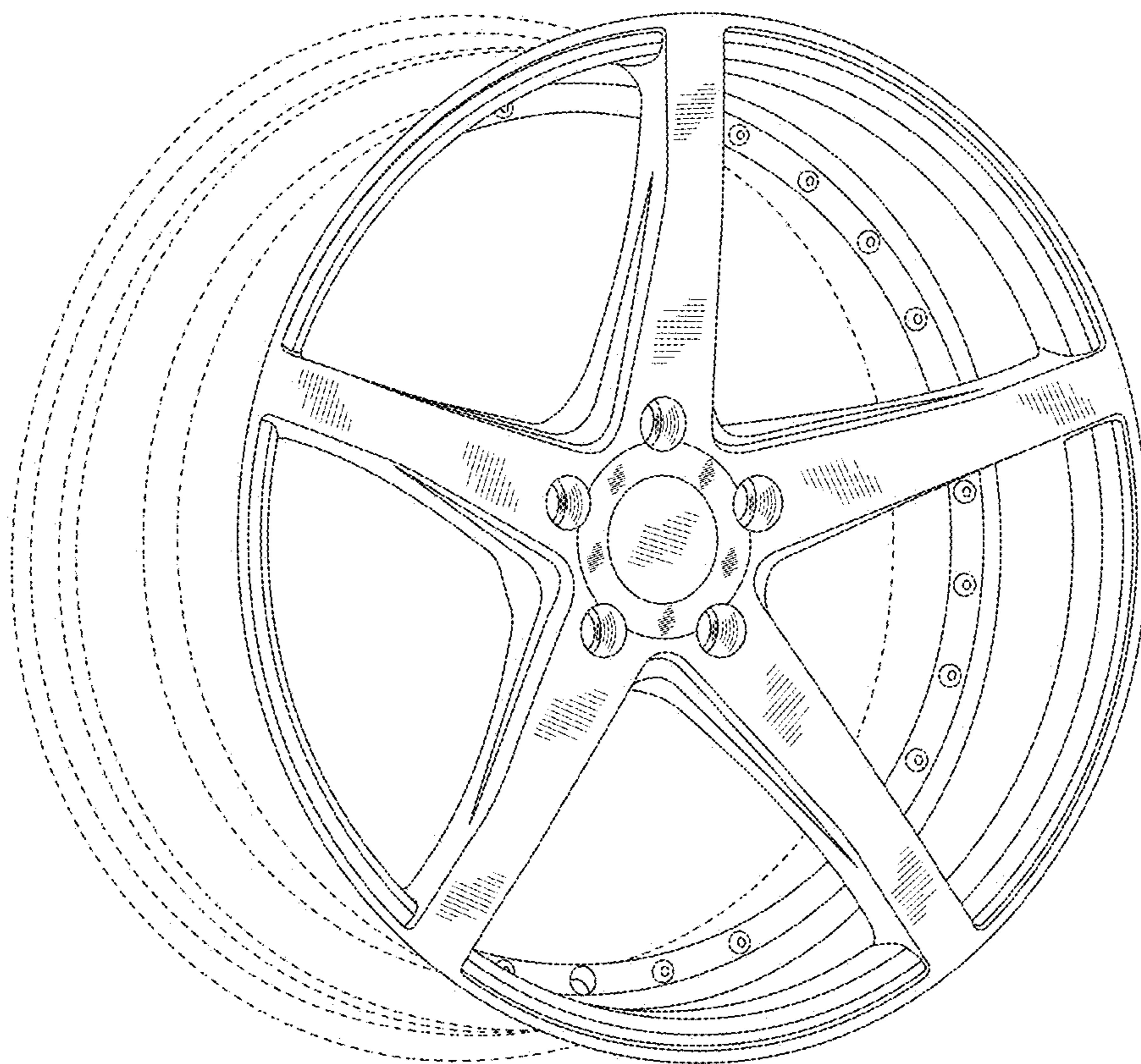


FIG. 1

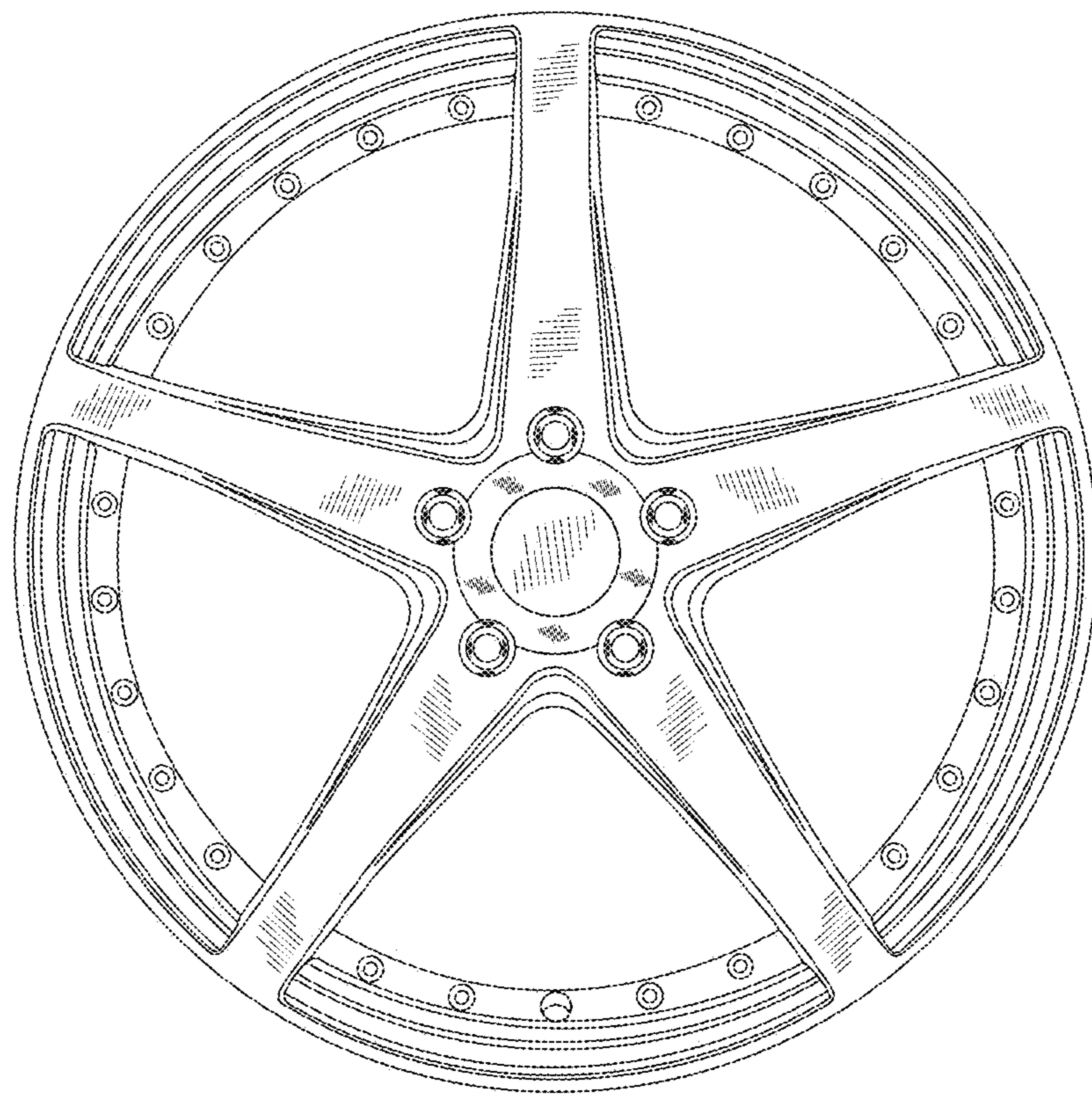


FIG. 2