



US00D764365S

(12) **United States Design Patent**
Hirai et al.

(10) **Patent No.:** **US D764,365 S**

(45) **Date of Patent:** **** Aug. 23, 2016**

(54) **WHEEL FOR MOTORCYCLE**

(71) Applicant: **HONDA MOTOR CO., LTD.**, Tokyo
(JP)

(72) Inventors: **Minoru Hirai**, Wako (JP); **Masamoto Ito**, Wako (JP)

(73) Assignee: **HONODA MOTOR CO., LTD.**, Tokyo
(JP)

(**) Term: **14 Years**

(21) Appl. No.: **29/522,545**

(22) Filed: **Mar. 31, 2015**

(30) **Foreign Application Priority Data**

Oct. 1, 2014 (JP) 2014-021864

(51) **LOC (10) Cl.** **12-16**

(52) **U.S. Cl.**
USPC **D12/205**

(58) **Field of Classification Search**
USPC D12/204–213; D21/563
CPC B60B 7/00; B60B 7/02; B60B 7/04;
B60B 7/01; B60B 7/06; B60B 3/02; B60B
3/04; B60B 3/06; B60B 3/10; B60B 1/00;
B60B 1/08; B60B 1/10; B60B 1/12
See application file for complete search history.

(56) **References Cited**

U.S. PATENT DOCUMENTS

361,914 A * 4/1887 Nagy B60B 1/08
D12/205
D46,710 S * 11/1914 West D12/205
D224,221 S * 7/1972 De Puydt et al. D12/205
D249,680 S * 9/1978 Smith D12/205

D253,050 S * 10/1979 Lohmeyer D12/205
D256,931 S * 9/1980 Smith D21/563
D259,195 S * 5/1981 Smith D12/205
D267,167 S * 12/1982 Suzuki D12/205
D269,603 S * 7/1983 Whitmarsh D12/205
D396,680 S * 8/1998 Kuribayashi D12/209
D427,558 S * 7/2000 Neeper D12/211
D534,474 S * 1/2007 Kim D12/211
D596,547 S * 7/2009 Passarotto D12/205
D670,631 S * 11/2012 Buell D12/209
D676,369 S * 2/2013 Buell D12/209
D713,773 S * 9/2014 Scheinhutte D12/209
D733,632 S * 7/2015 Juergens D12/211
D741,774 S * 10/2015 Werwie, III D12/205

* cited by examiner

Primary Examiner — Stacia Cadmus

(74) *Attorney, Agent, or Firm* — Birch, Stewart, Kolasch & Birch, LLP

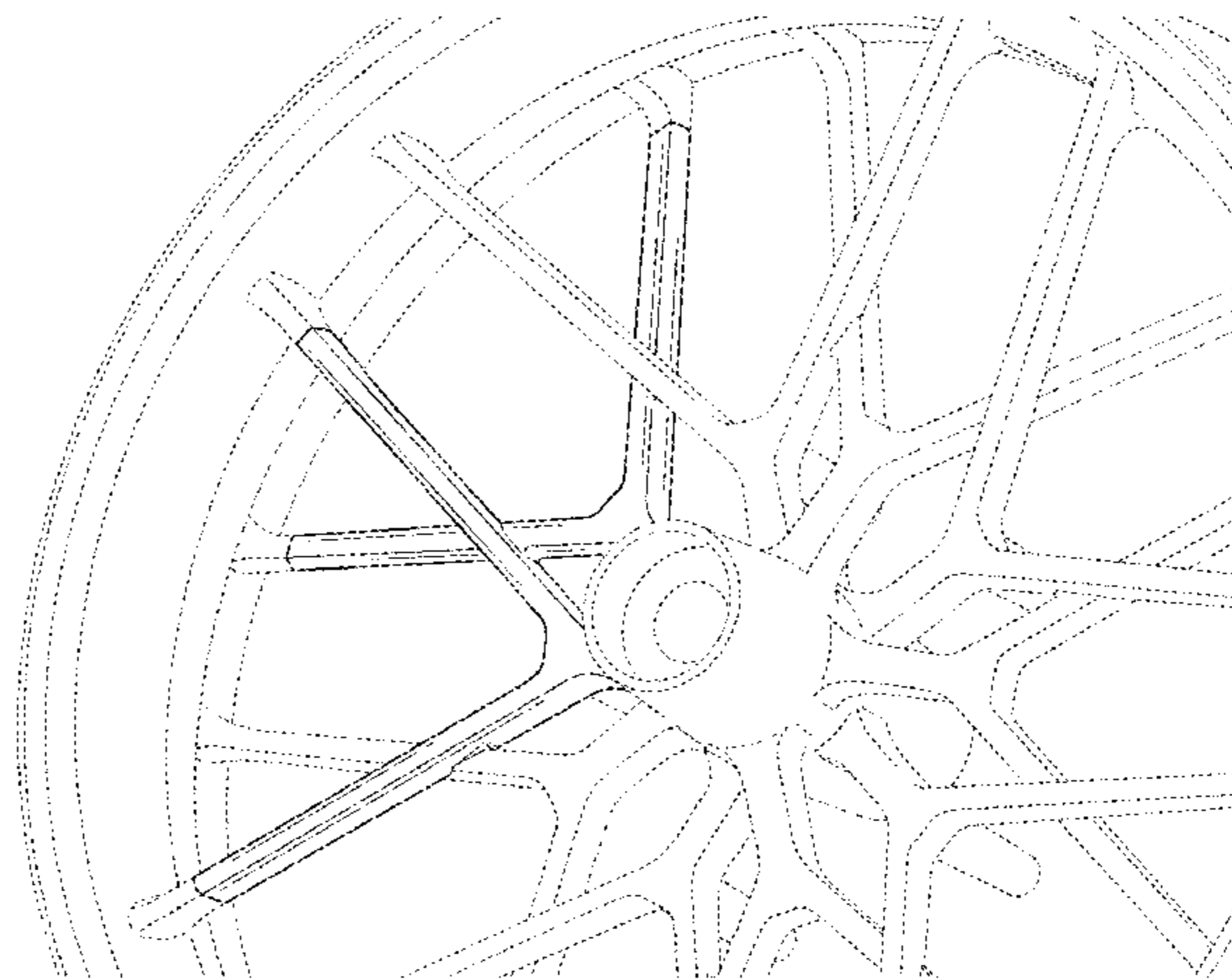
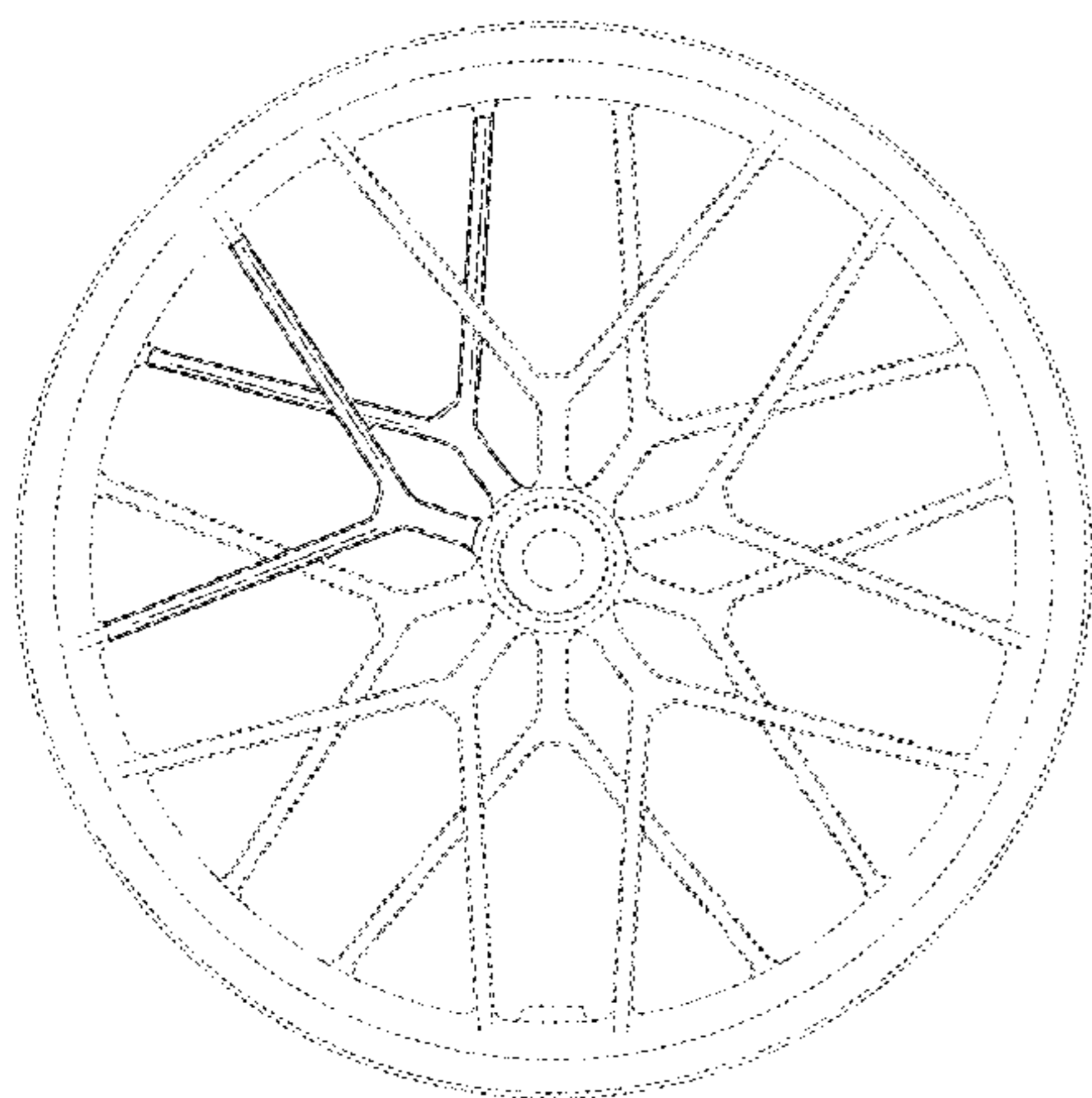
(57) **CLAIM**

The ornamental design for a wheel for motorcycle, as shown and described.

DESCRIPTION

FIG. 1 is a front view of a wheel for motorcycle showing our new design;
FIG. 2 is a rear view thereof;
FIG. 3 is a right front side perspective view thereof;
FIG. 4 is an enlarged partial front side perspective thereof;
FIG. 5 is a right rear side perspective thereof;
FIG. 6 is an enlarged partial rear side perspective thereof;
FIG. 7 is a left front side perspective view thereof; and,
FIG. 8 is a left rear side perspective view thereof.
The portions shown in broken lines are for the purpose of showing environmental structure only and form no part of the claimed design.

1 Claim, 8 Drawing Sheets



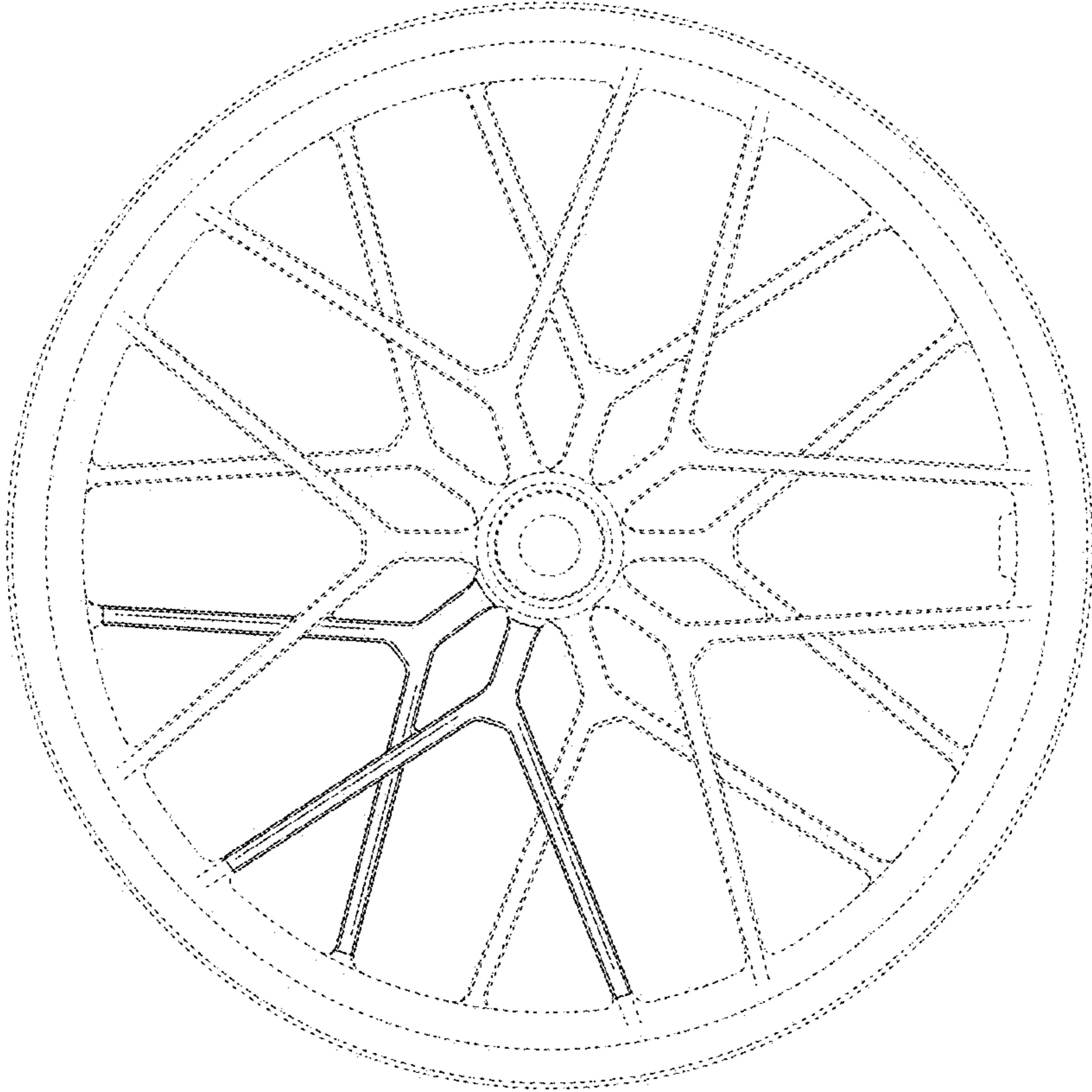


FIG. 1

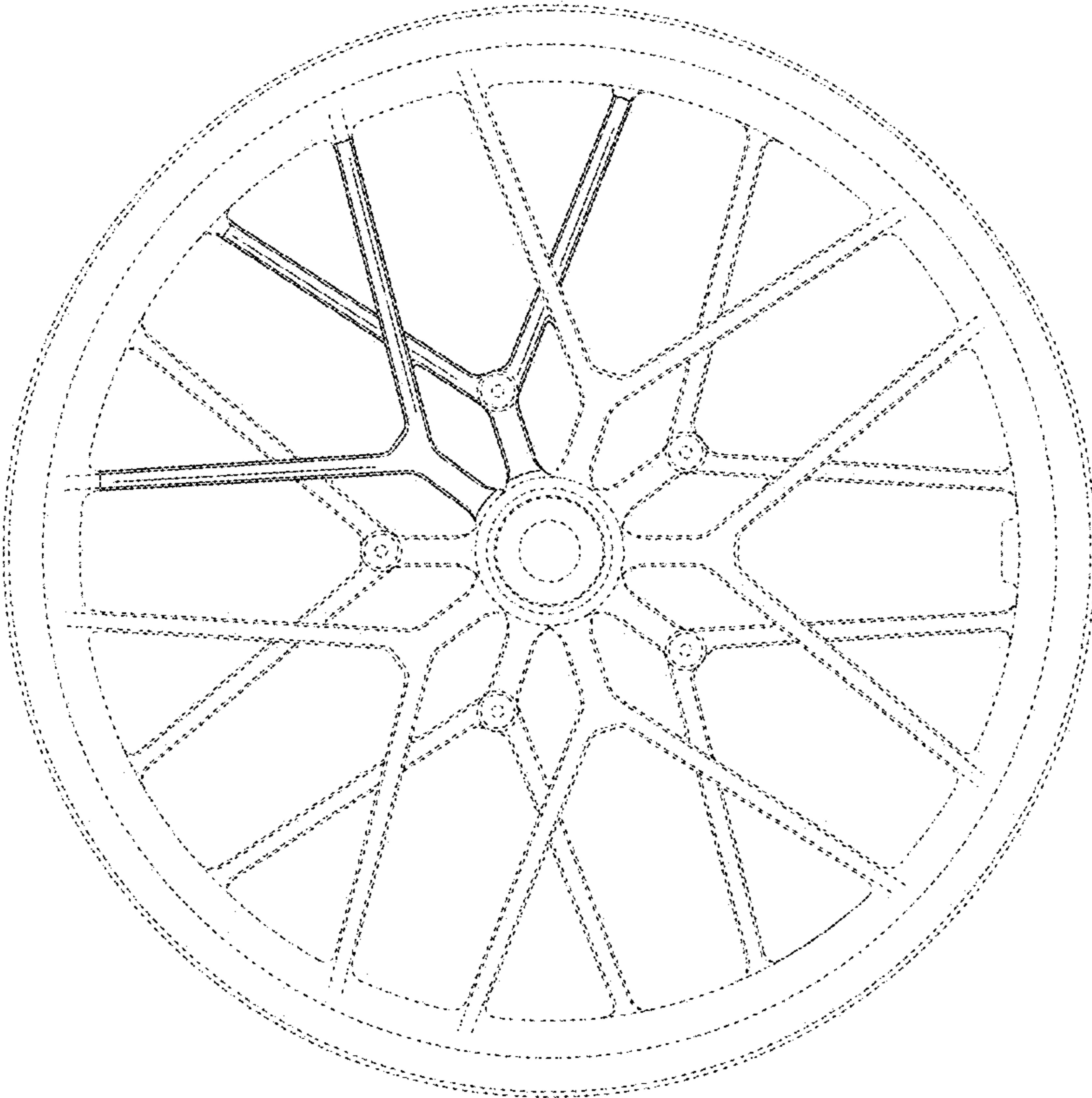


FIG. 2

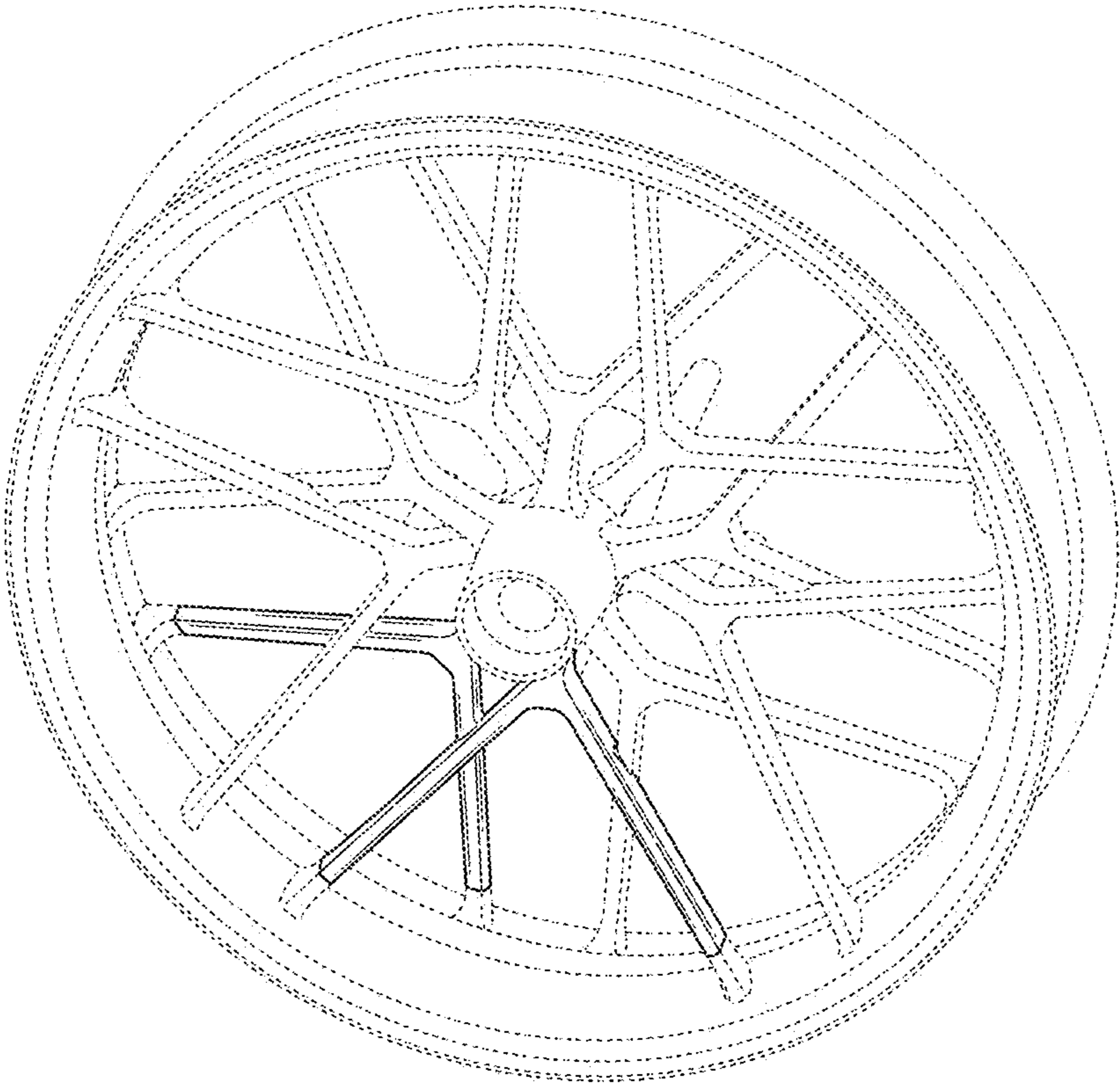


FIG. 3

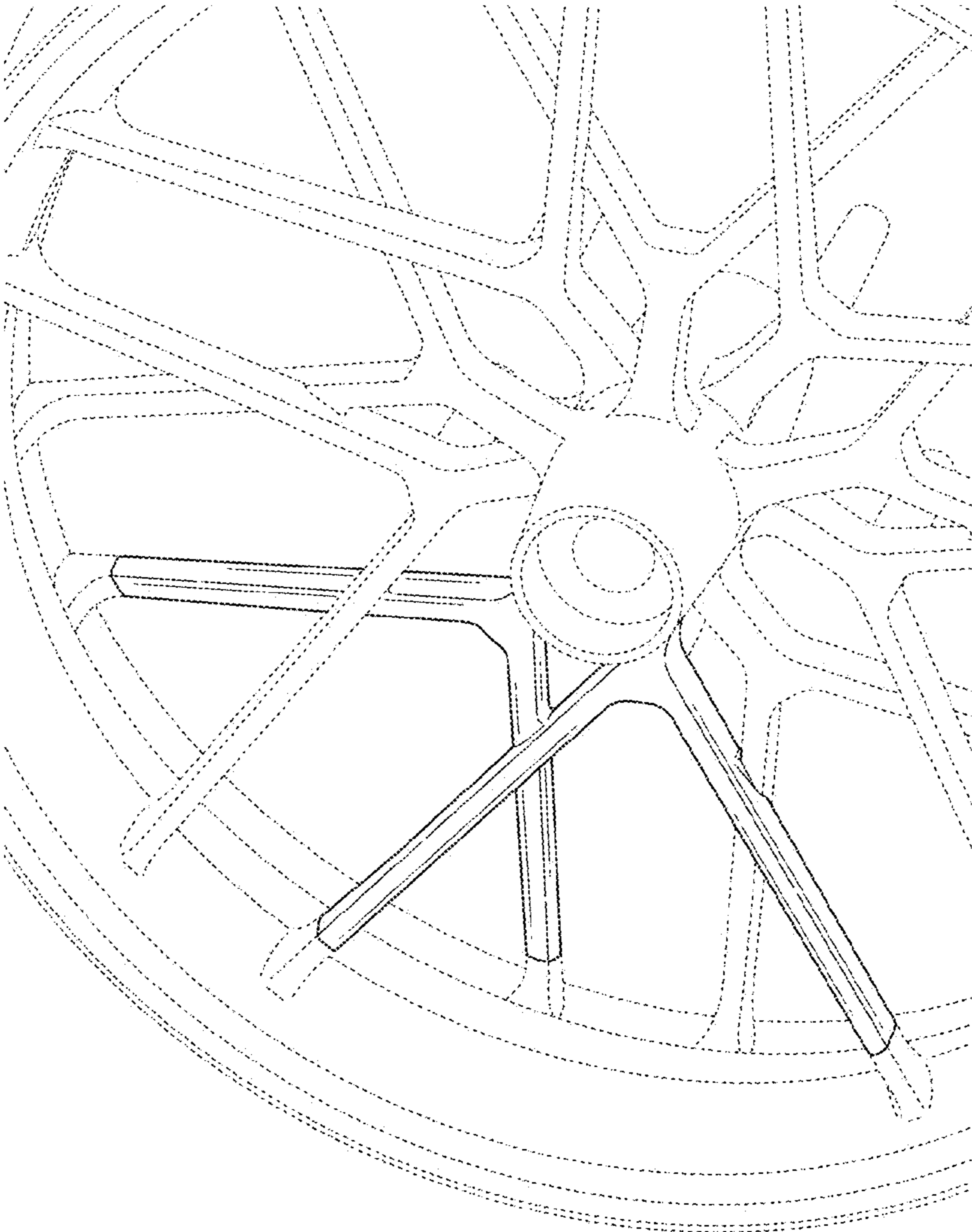


FIG. 4

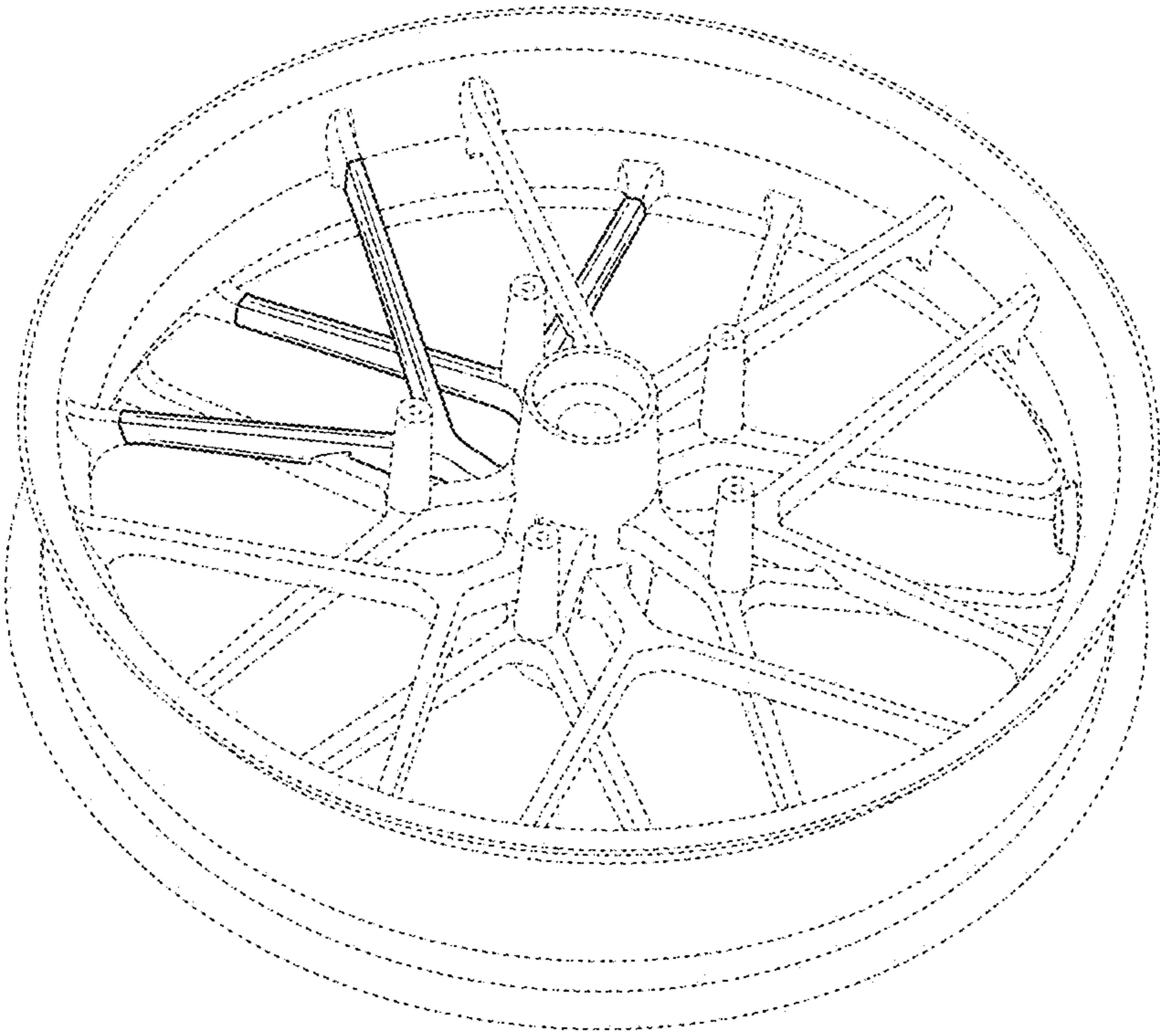


FIG. 5

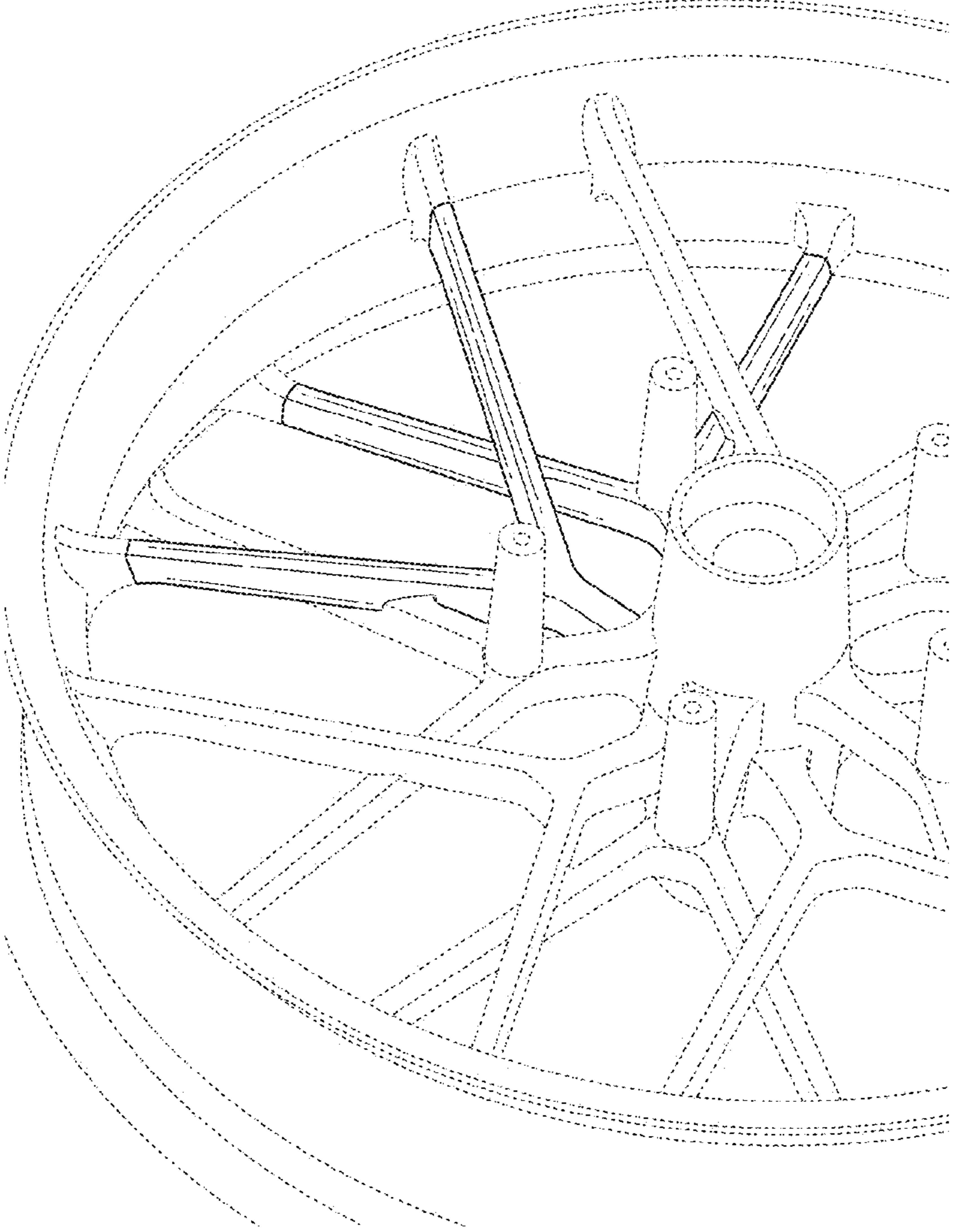


FIG. 6

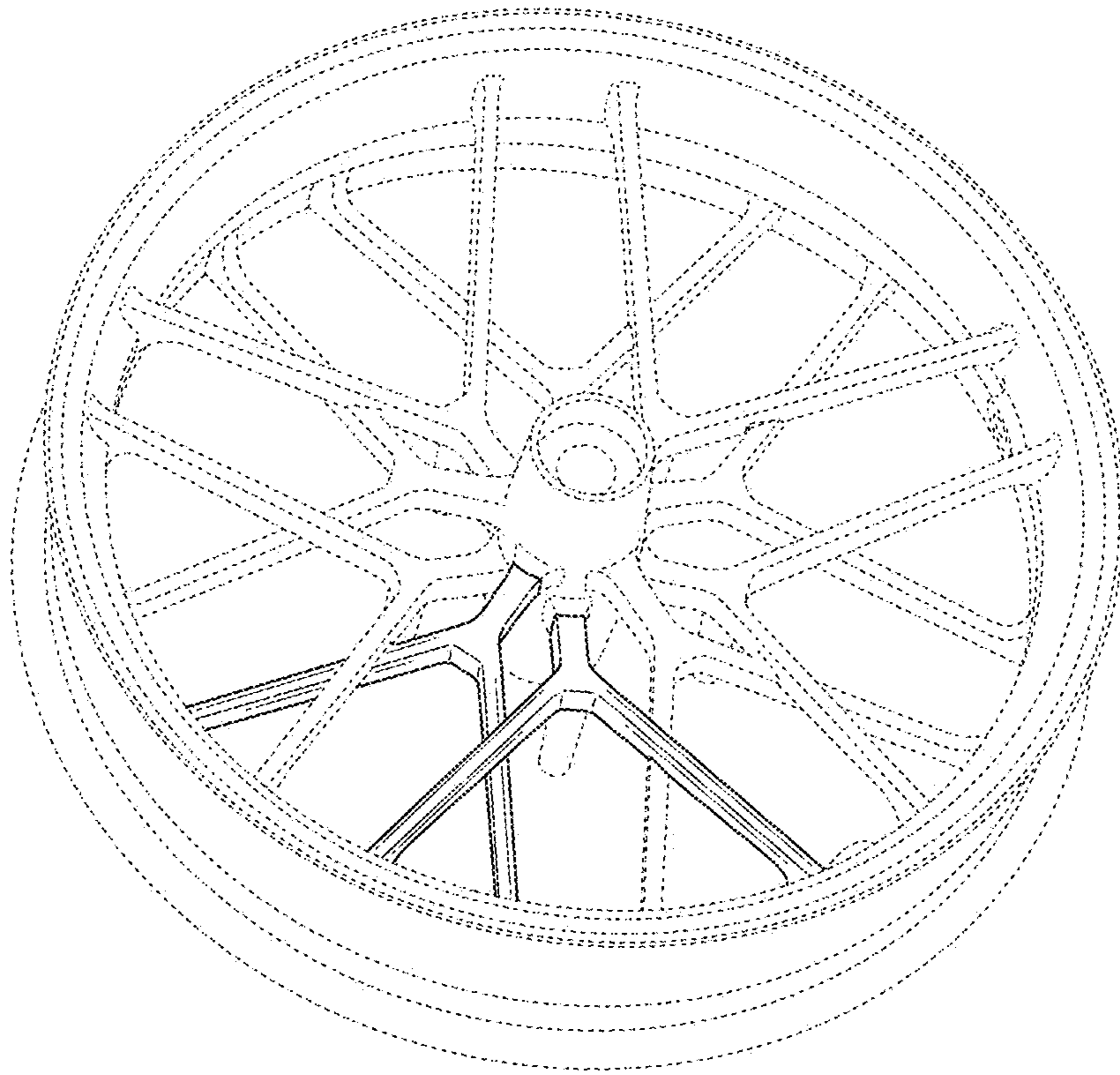


FIG. 7

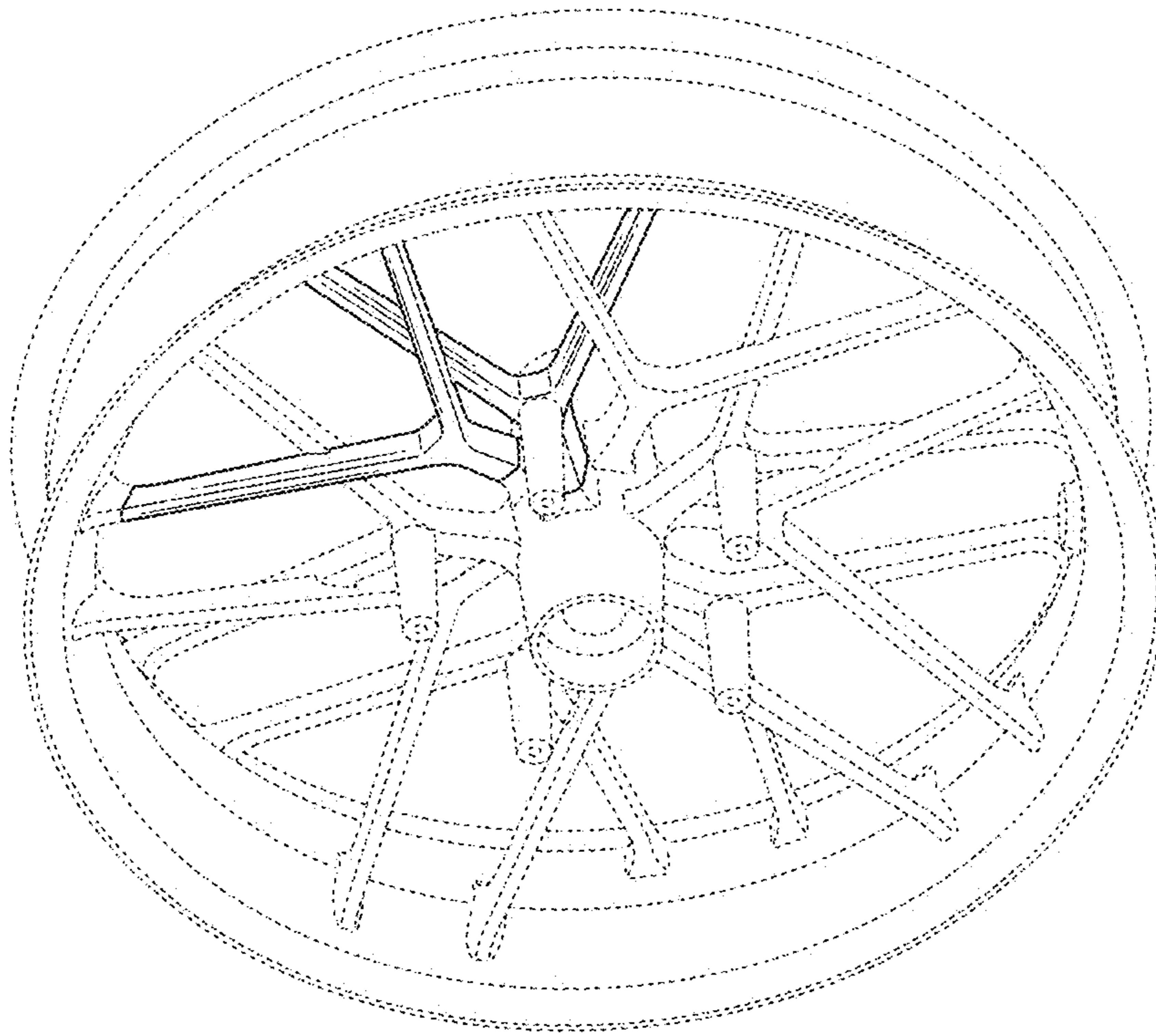


FIG. 8