

US00D764364S

(12) **United States Design Patent**
Ichikawa et al.

(10) **Patent No.:** **US D764,364 S**

(45) **Date of Patent:** **** Aug. 23, 2016**

(54) **INSTALLATION PANEL FOR VEHICLE**

(56) **References Cited**

(71) Applicant: **Alpine Electronics, Inc.**, Tokyo (JP)

U.S. PATENT DOCUMENTS

(72) Inventors: **Takashi Ichikawa**, Tokyo (JP); **Hiroshi Fujimoto**, Tokyo (JP)

D555,647 S *	11/2007	Quilling, II	D14/224
7,430,110 B2 *	9/2008	Quilling, II	B60R 11/02 361/679.01
D602,013 S *	10/2009	Quilling, II	D14/258
D602,483 S *	10/2009	Fiore, IV	D14/258
D602,930 S *	10/2009	Quilling, II	D14/258
D639,287 S *	6/2011	Quilling, II	D14/258
D723,537 S *	3/2015	Quilling, II	D14/258
D755,775 S *	5/2016	Fiore, IV	D14/258
D755,777 S *	5/2016	Fiore, IV	D14/258

(73) Assignee: **ALPINE ELECTRONICS, INC.**,
Tokoyo (JP)

(**) Term: **14 Years**

* cited by examiner

(21) Appl. No.: **29/516,627**

Primary Examiner — Katrina A Betton

(22) Filed: **Feb. 4, 2015**

(74) *Attorney, Agent, or Firm* — Brinks Gilson & Lione

(51) **LOC (10) Cl.** **12-08**

(57) **CLAIM**

The ornamental design for an installation panel for vehicle, as shown and described.

(52) **U.S. Cl.**

DESCRIPTION

USPC **D12/195**

(58) **Field of Classification Search**

USPC D12/195, 193, 414, 190, 196; D15/17,

D15/28; D10/46, 98, 102–103; D8/302–303

CPC B60J 5/04; B60N 2/466; B60N 2/4693;

B60R 13/0243; B60R 13/02

FIG. 1 is a perspective view of an installation panel for vehicle

showing the new design;

FIG. 2 is a front view thereof;

FIG. 3 is a rear view thereof;

FIG. 4 is a top view thereof;

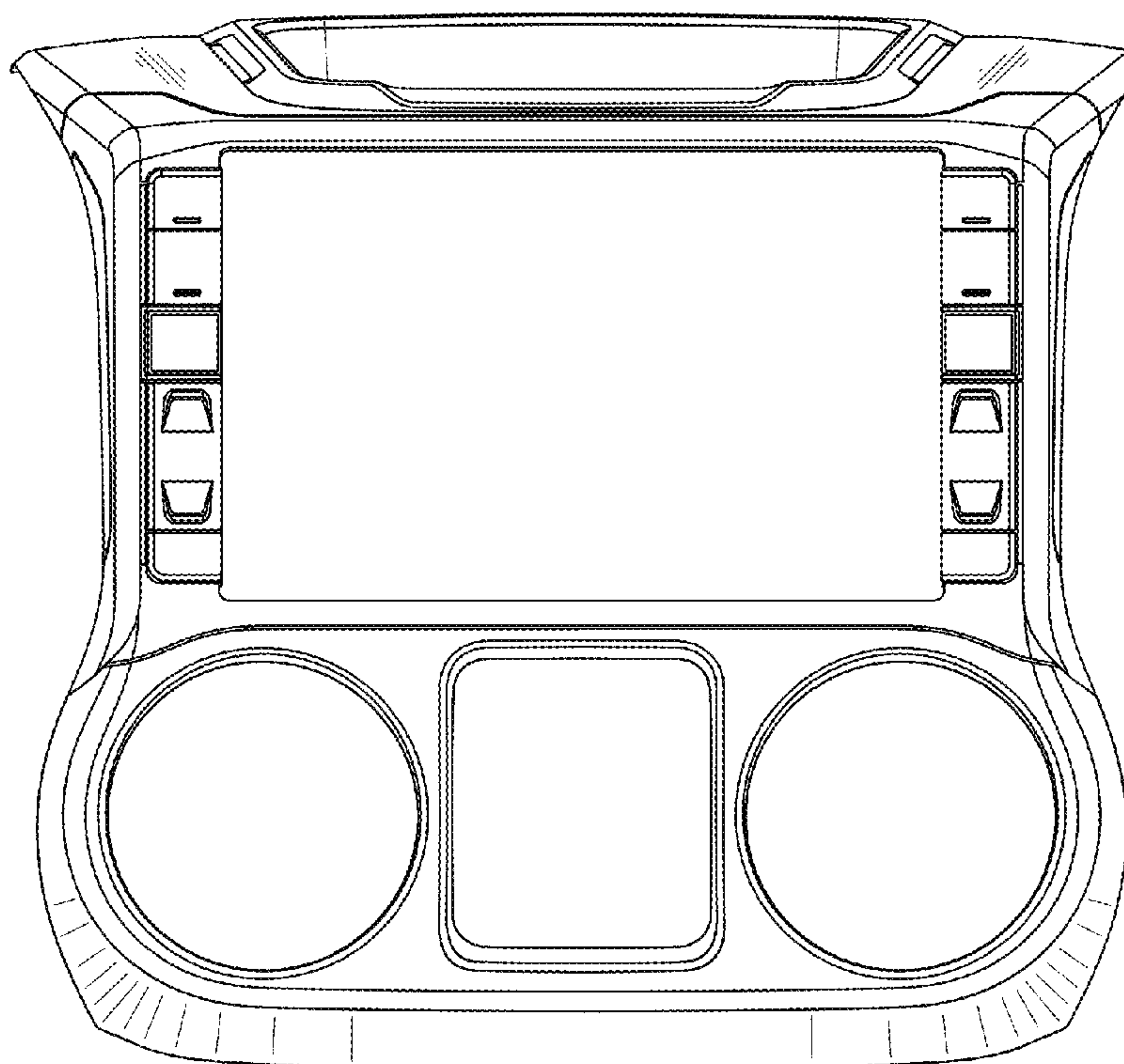
FIG. 5 is a bottom view thereof;

FIG. 6 is a left-side view thereof; and,

FIG. 7 is a right-side view thereof.

See application file for complete search history.

1 Claim, 7 Drawing Sheets



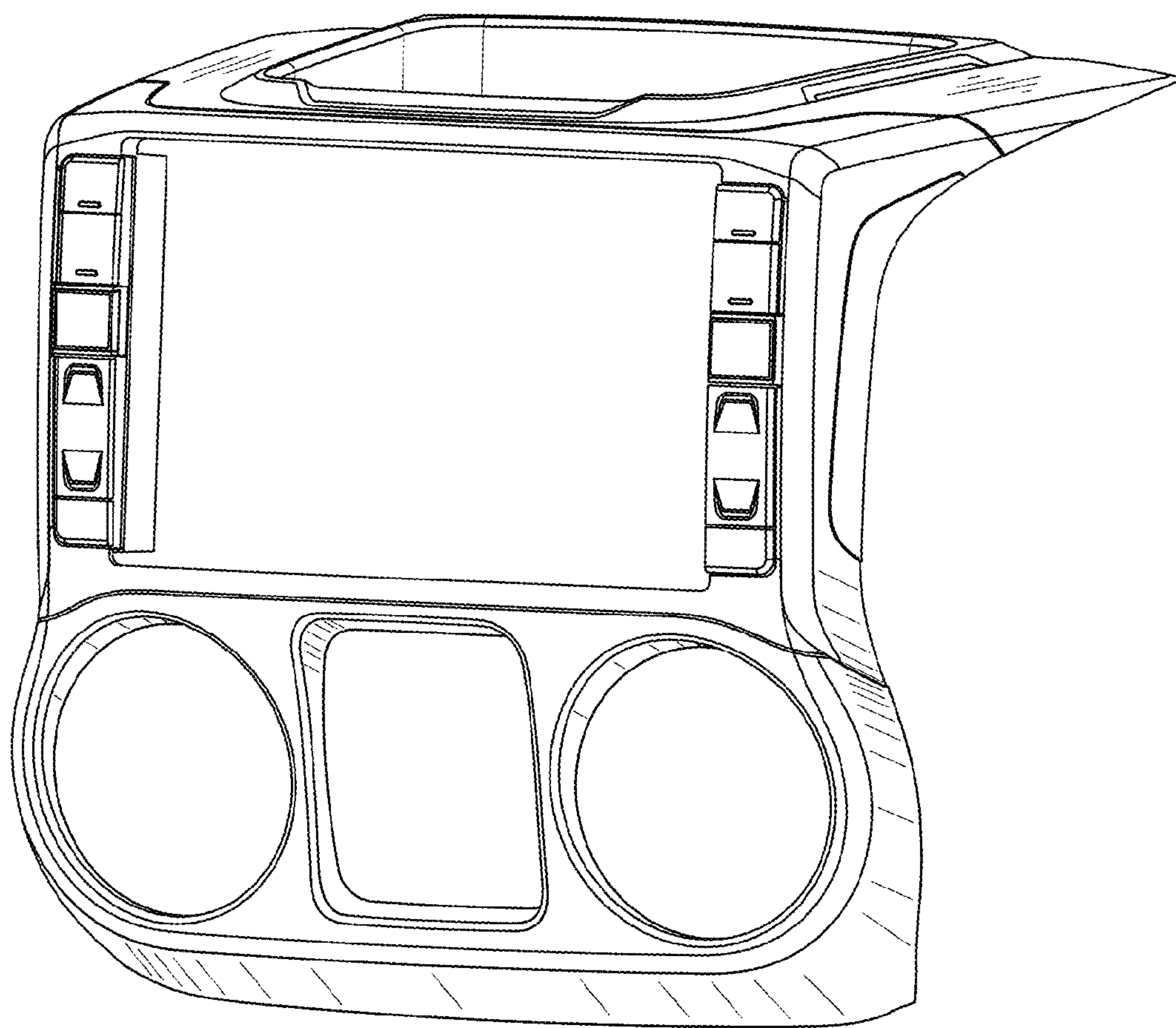


FIG. 1

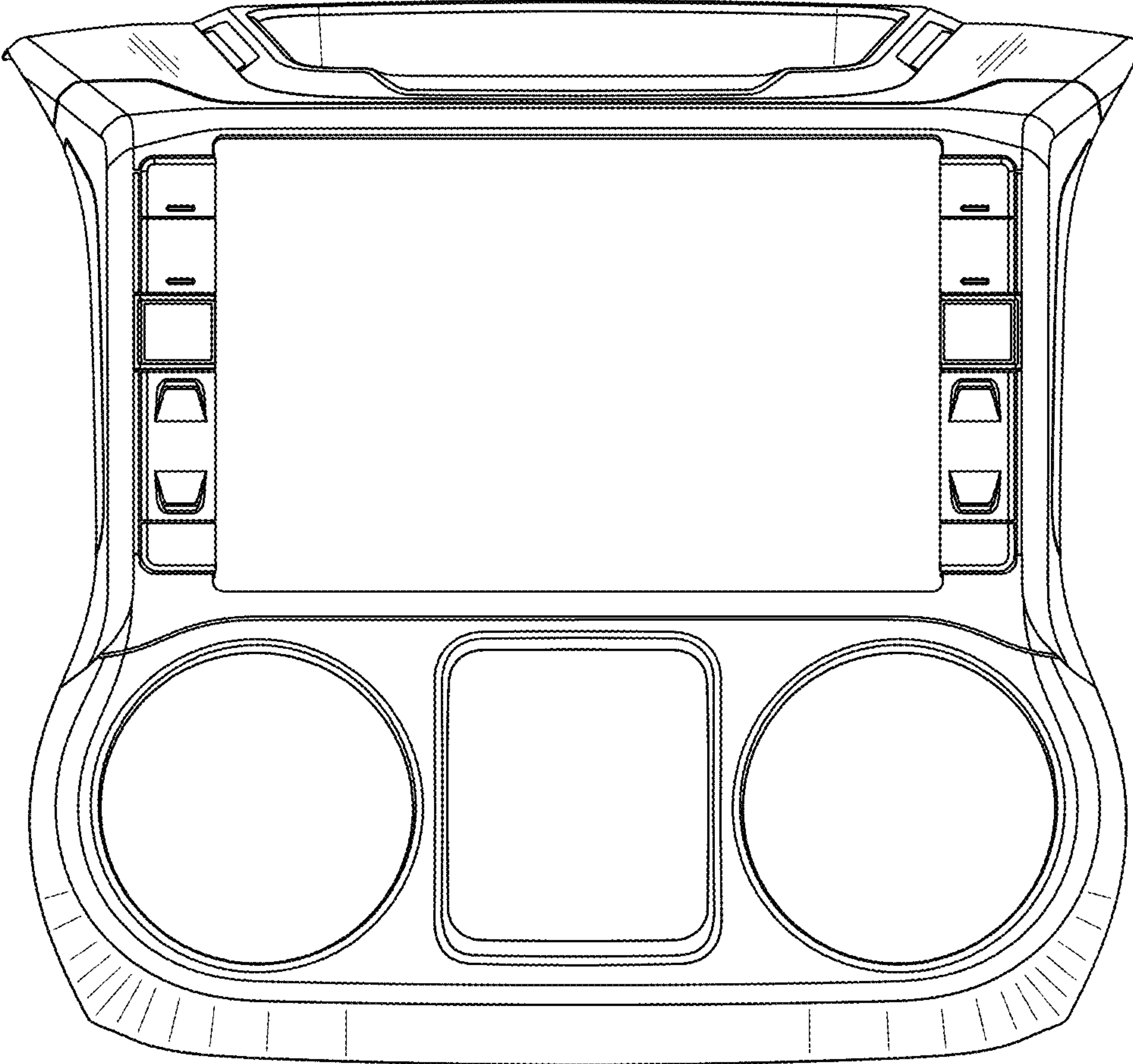


FIG. 2

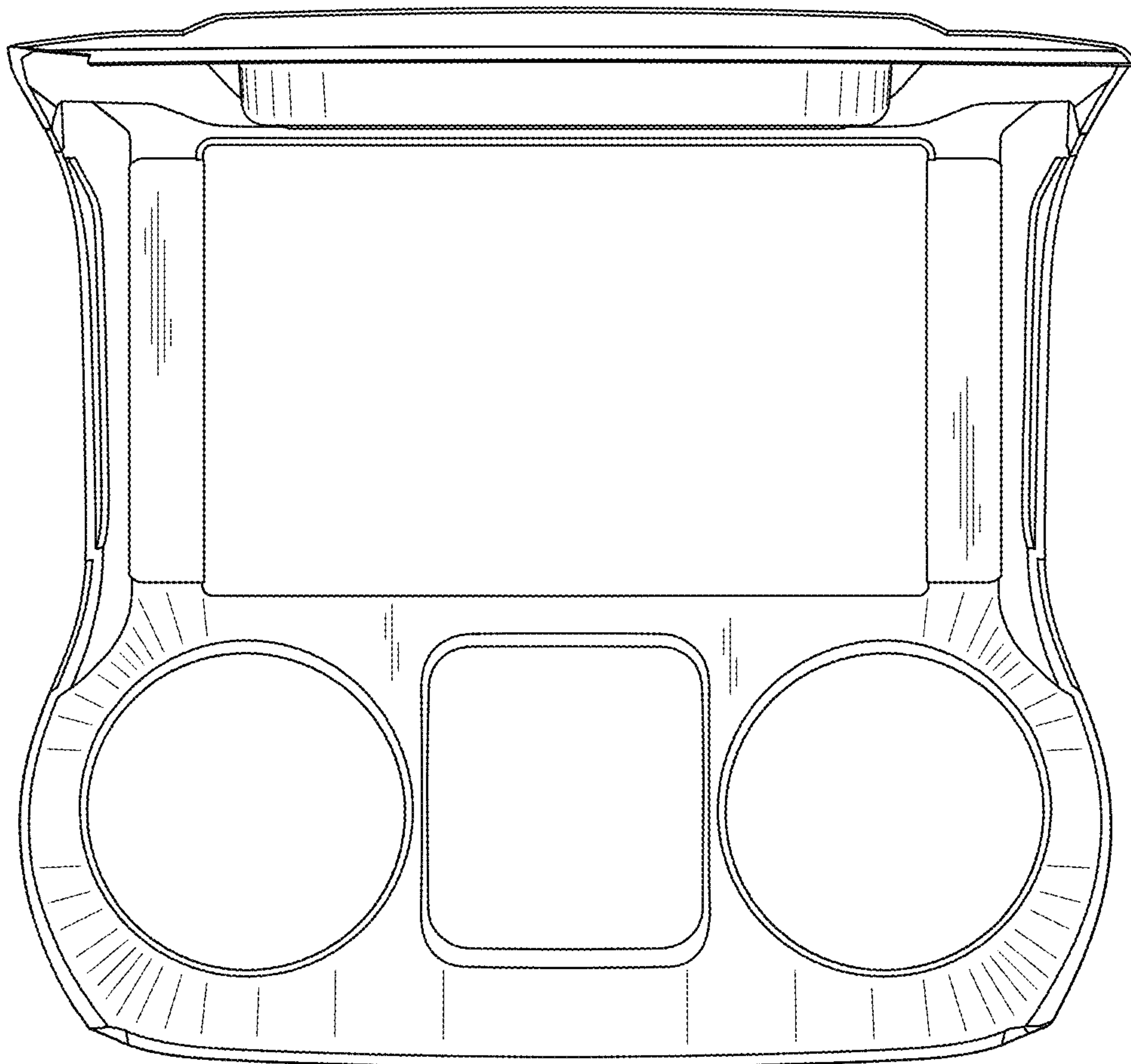


FIG. 3

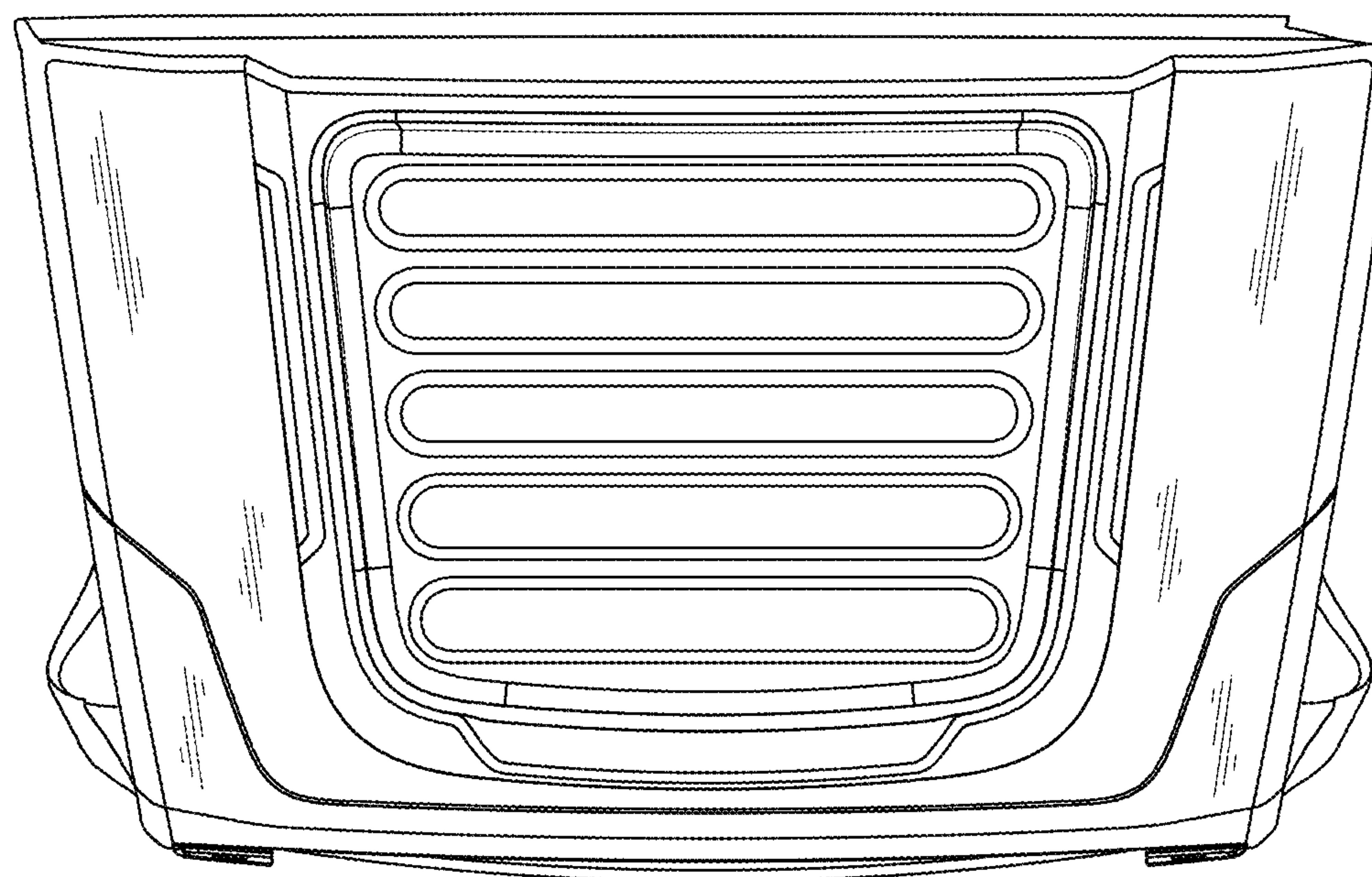


FIG. 4

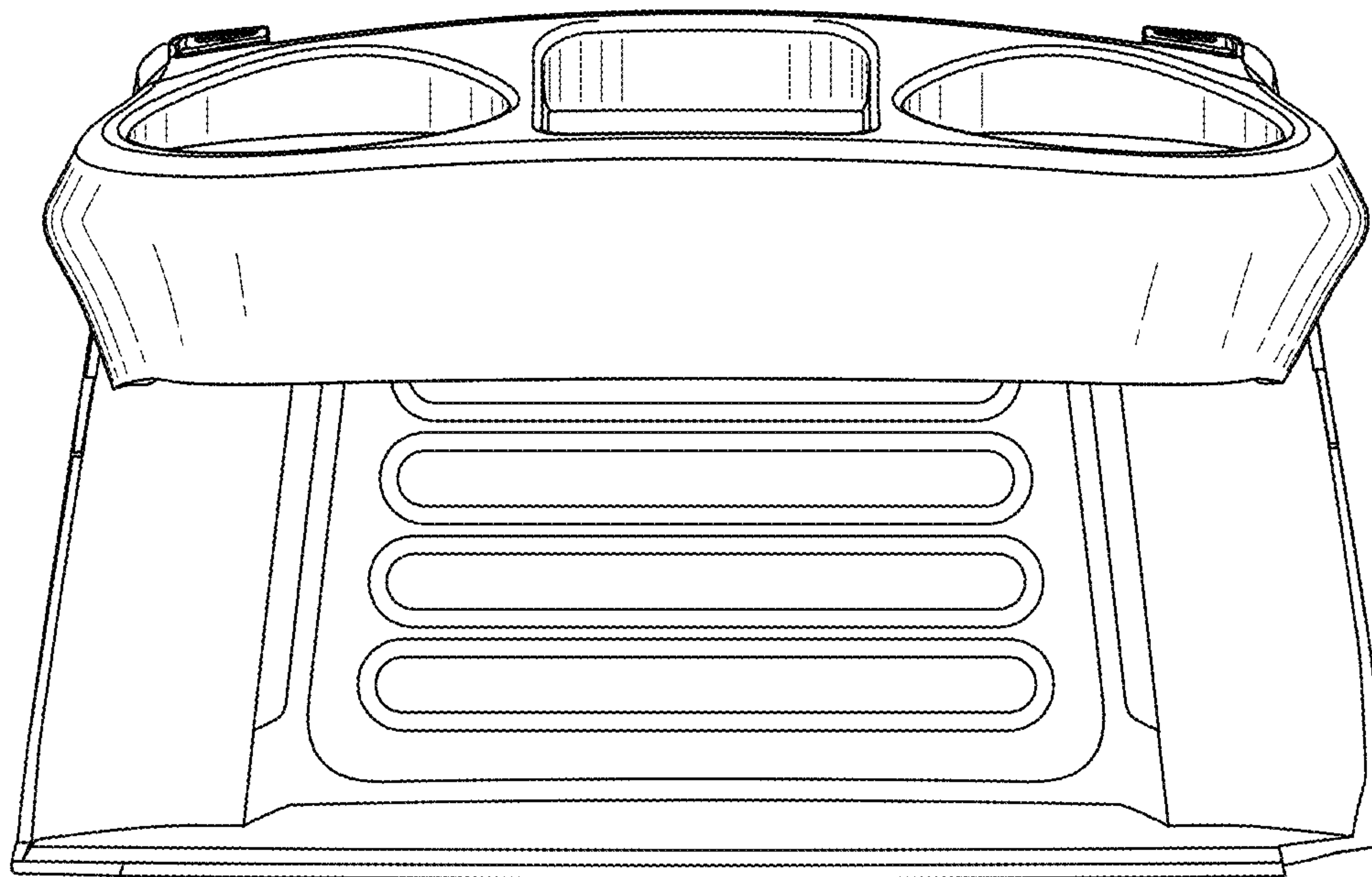


FIG. 5

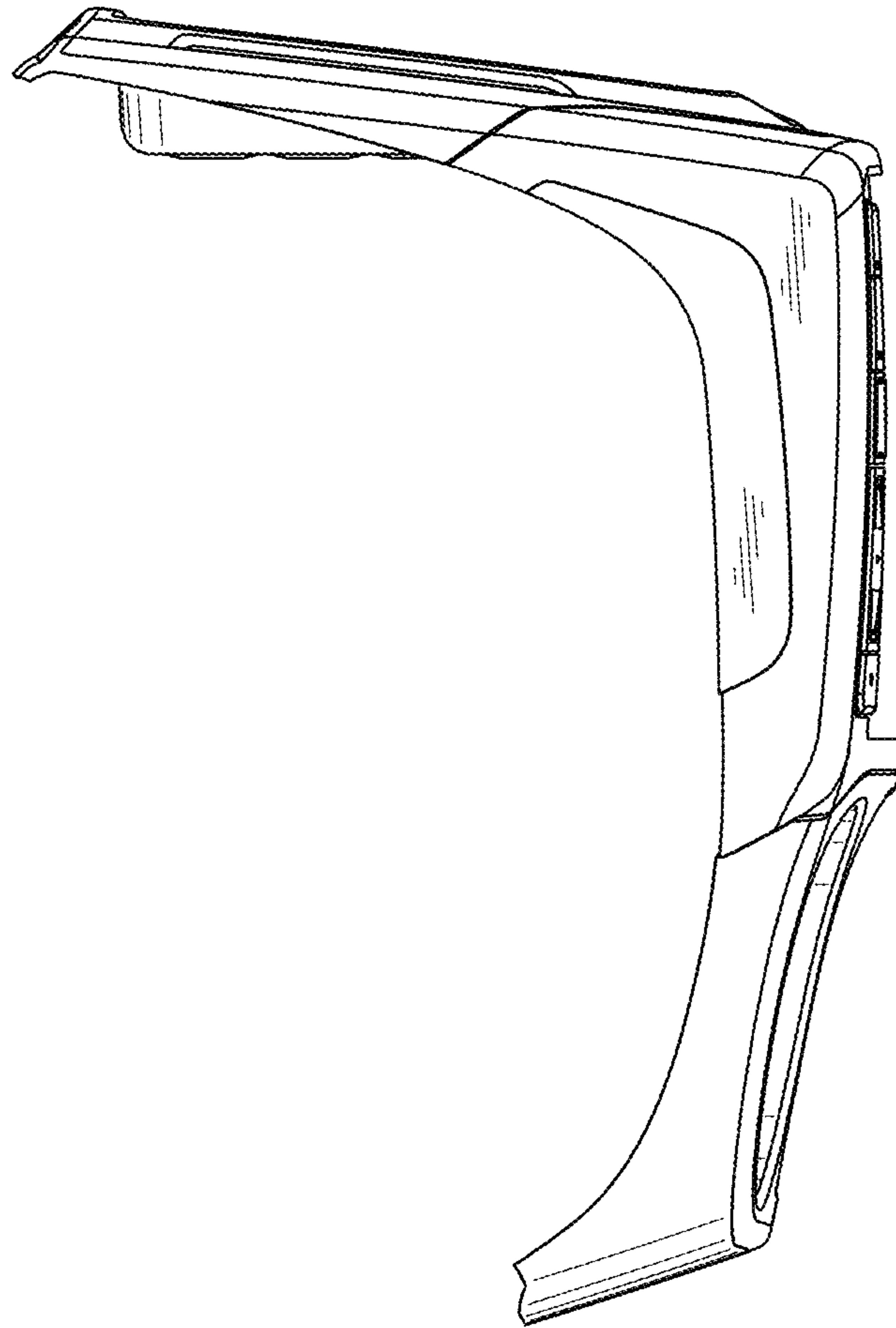


FIG. 6

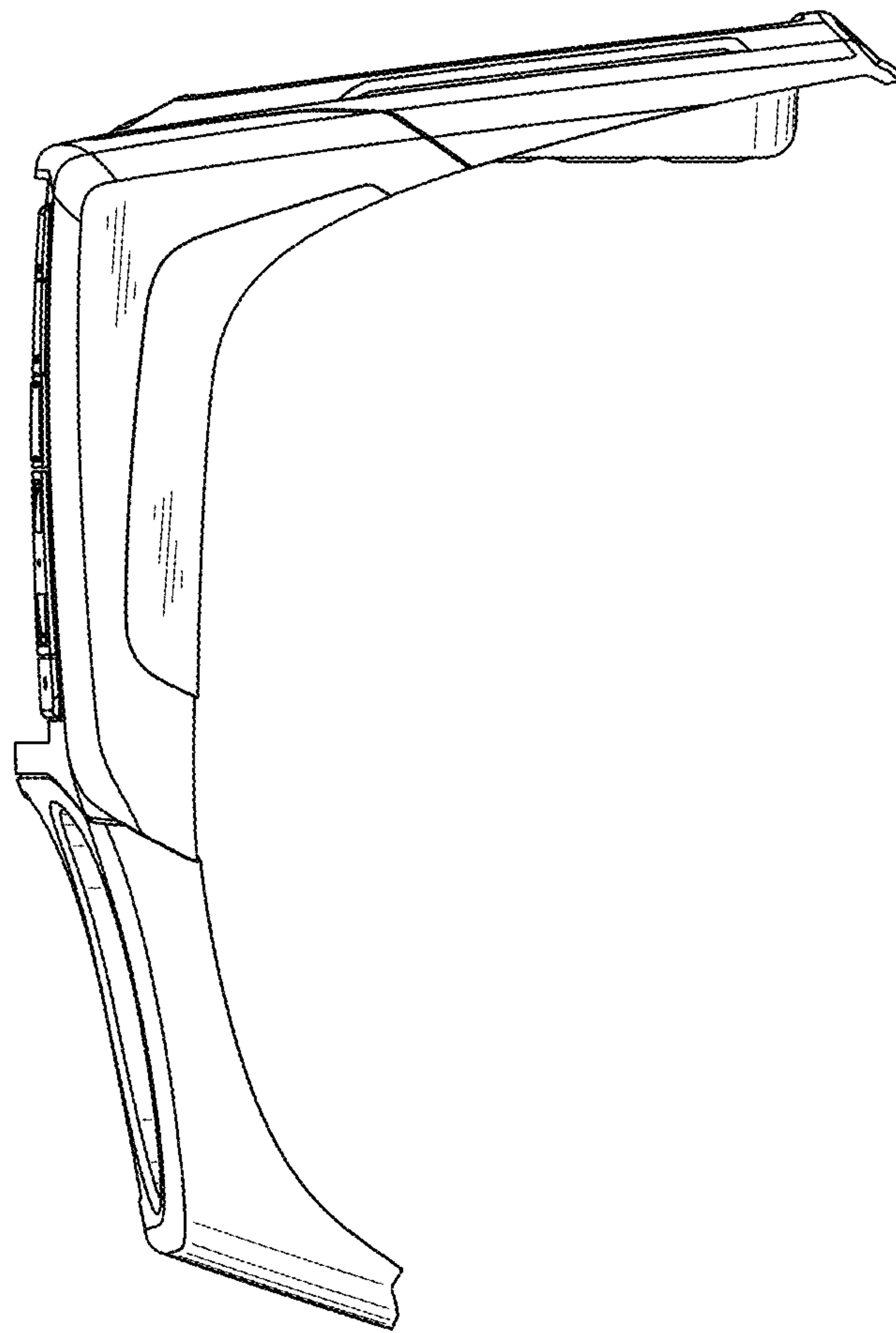


FIG. 7