

US00D764363S

(12) **United States Design Patent**
Varga

(10) **Patent No.:** **US D764,363 S**
(45) **Date of Patent:** **** Aug. 23, 2016**

(54) **SIDE VIEW MIRROR FOR MOTOR VEHICLE**

(56) **References Cited**

(71) Applicant: **Dr. Ing. h.c. F. Porsche**
Aktiengesellschaft, Stuttgart (DE)

(72) Inventor: **Peter Varga, Pforzheim (DE)**

(73) Assignee: **Dr. Ing. h.c. F. Porsche**
Aktiengesellschaft, Stuttgart (DE)

(**) Term: **14 Years**

(21) Appl. No.: **29/502,233**

(22) Filed: **Sep. 12, 2014**

(30) **Foreign Application Priority Data**

Mar. 14, 2014 (DE) 40 2014 100 270

(51) **LOC (10) Cl.** **12-06**

(52) **U.S. Cl.**
USPC **D12/187**

(58) **Field of Classification Search**
USPC D12/187-189, 96; D6/300, 309
CPC B60R 1/076; G02B 7/18; G02B 7/182;
G02B 5/08

See application file for complete search history.

U.S. PATENT DOCUMENTS

D702,611 S	4/2014	Borkert	
D702,612 S	4/2014	Borkert	
D710,775 S *	8/2014	Minamisawa	D12/187
D713,769 S *	9/2014	Knothe	D12/187
D716,208 S *	10/2014	Rigolio	D12/187
D724,510 S *	3/2015	McMahan	D12/187
D726,610 S *	4/2015	Gong	D12/187
D727,229 S *	4/2015	Varga	D12/187
D730,254 S *	5/2015	Glover	D12/187

* cited by examiner

Primary Examiner — Katrina A Betton

(74) *Attorney, Agent, or Firm* — RatnerPrestia

(57) **CLAIM**

The ornamental design for a side view mirror for a motor vehicle, as shown and described.

DESCRIPTION

FIG. 1 is a perspective view of a side view mirror for a motor vehicle;

FIG. 2 is a front elevation view thereof;

FIG. 3 is a rear elevation view thereof;

FIG. 4 is an elevation view thereof from the right side;

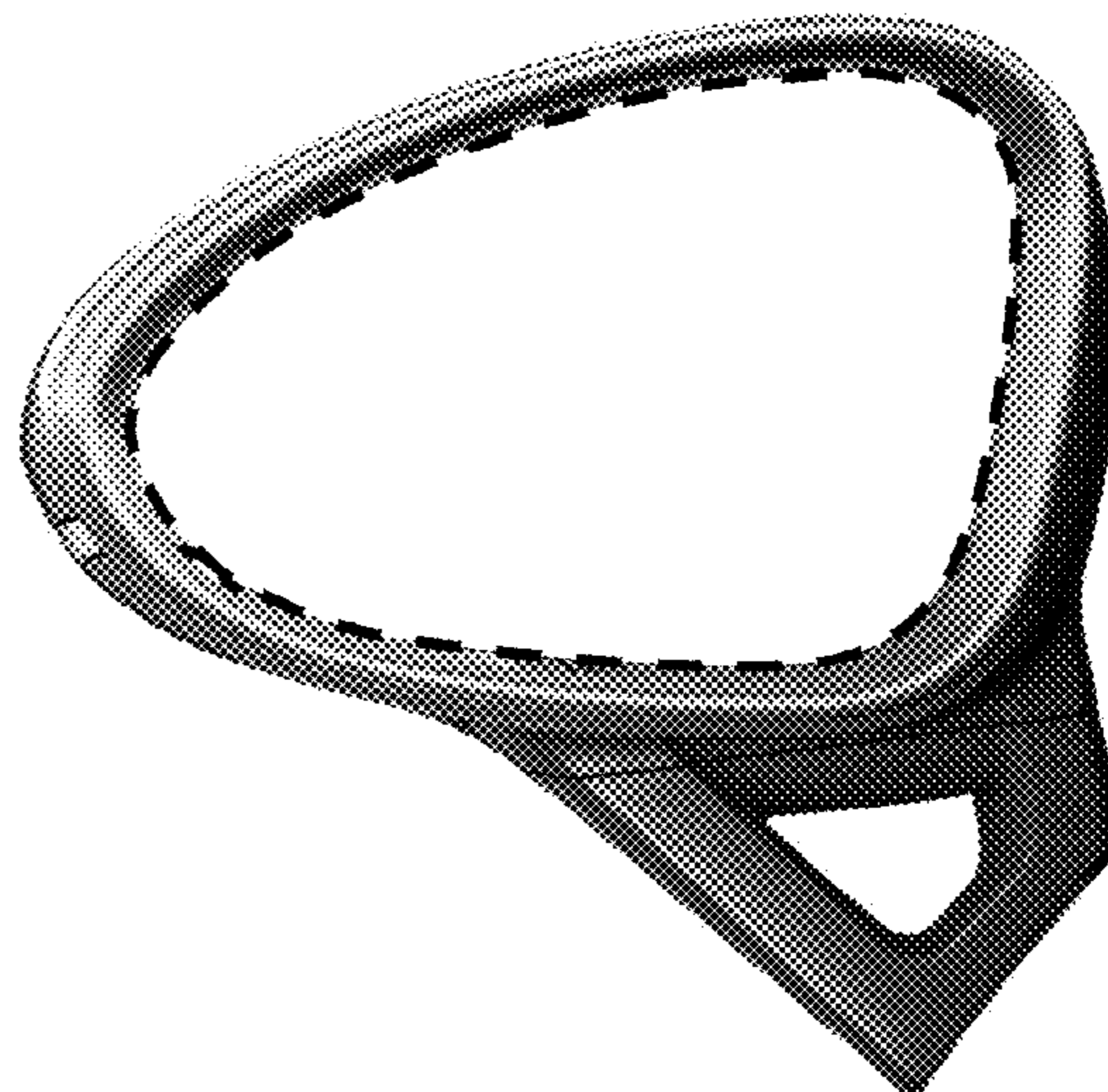
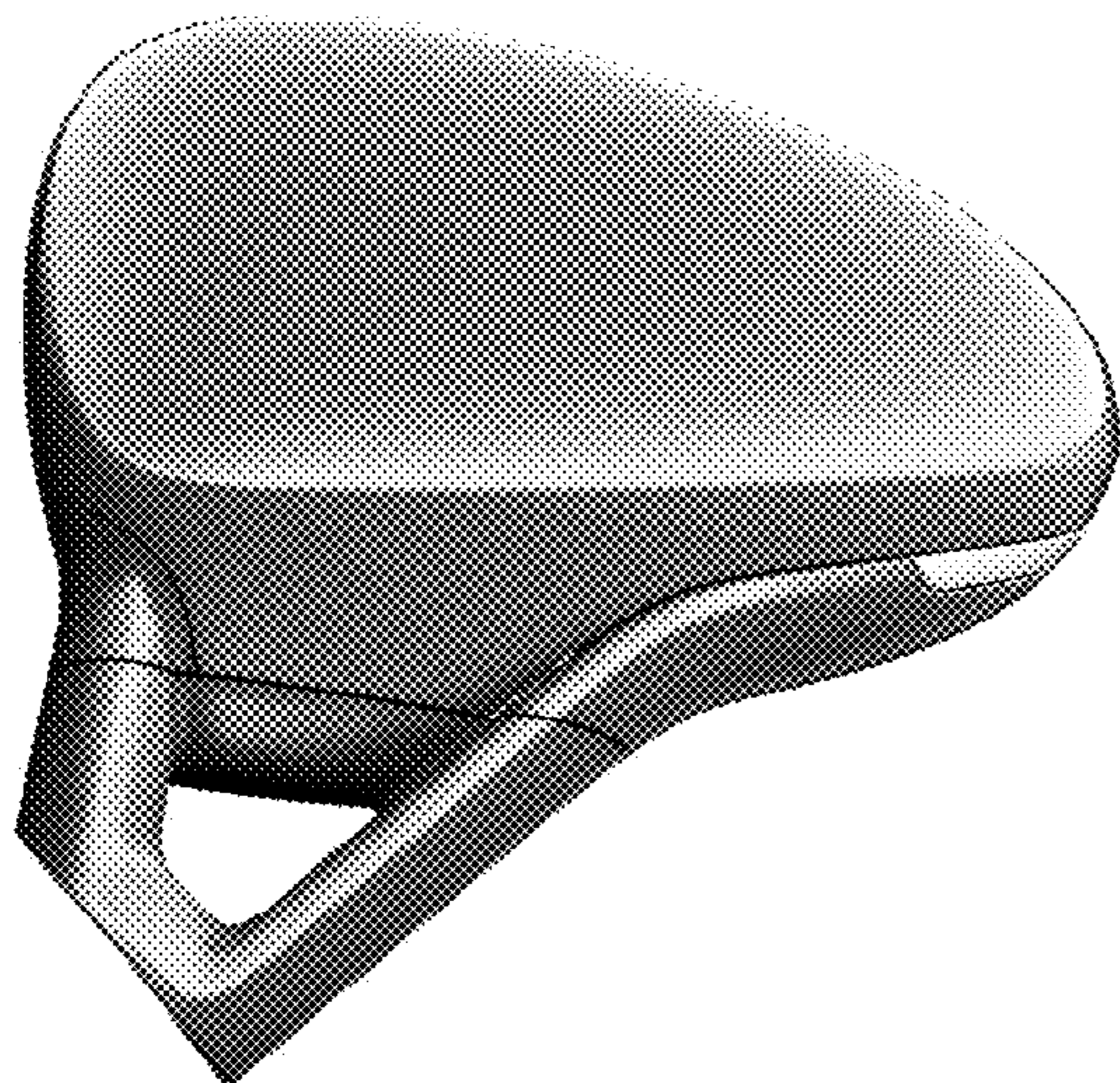
FIG. 5 is an elevation view thereof from the left side;

FIG. 6 is a top plan view thereof; and,

FIG. 7 is a bottom plan view thereof.

The features that are shown in broken lines are for illustration only and form no part of the claimed design.

1 Claim, 4 Drawing Sheets



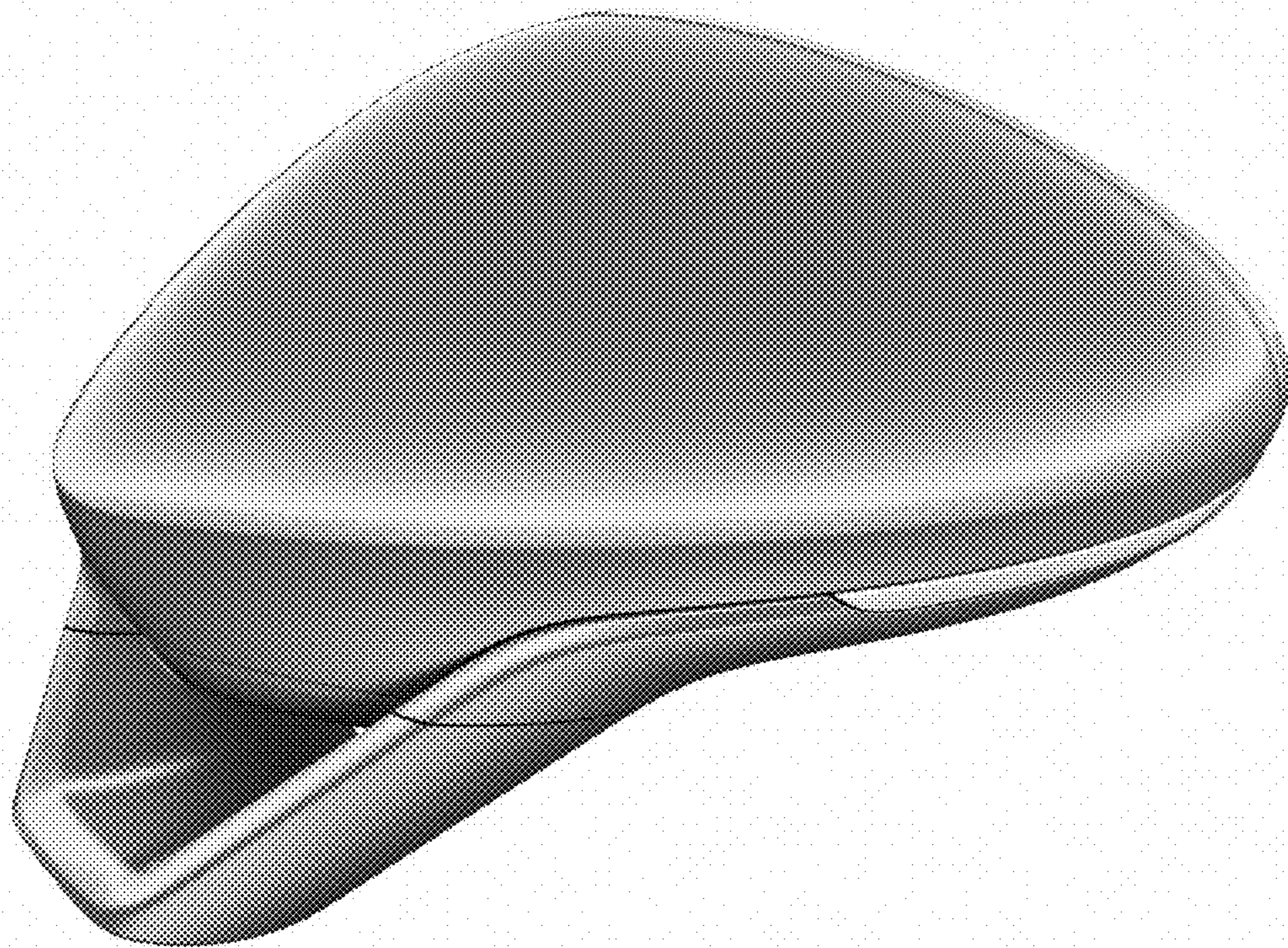


Figure 1

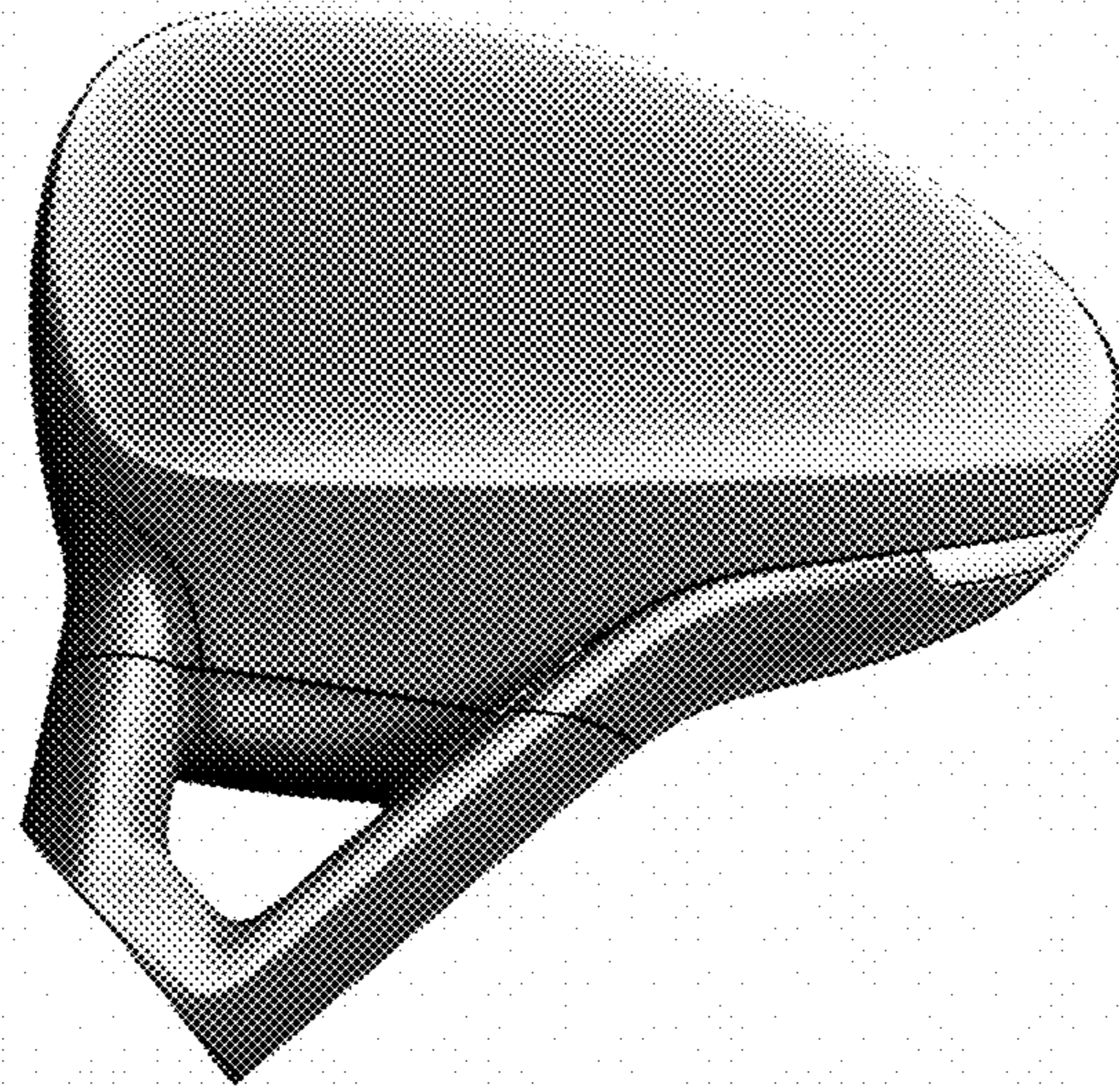


Figure 2

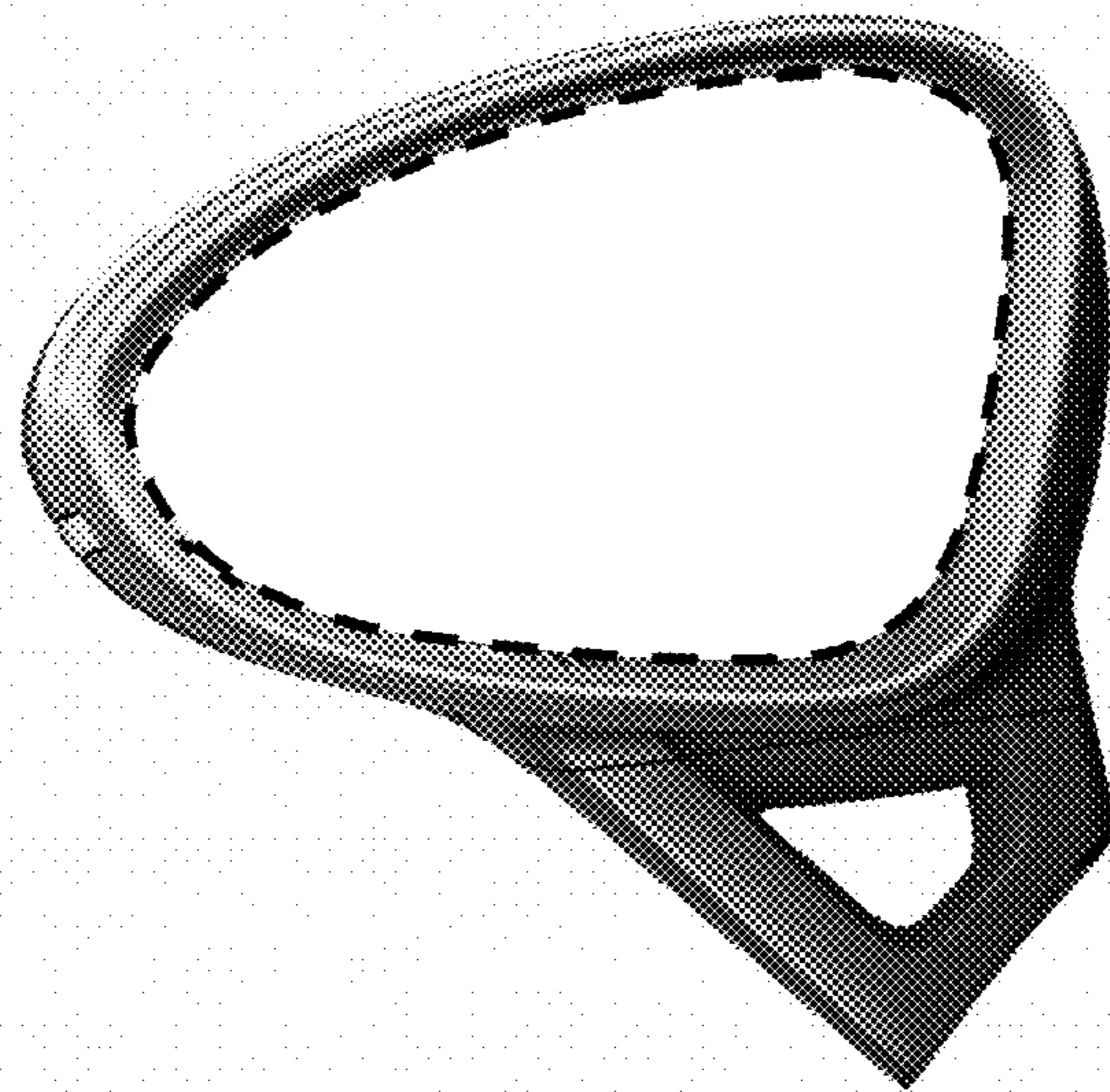


Figure 3

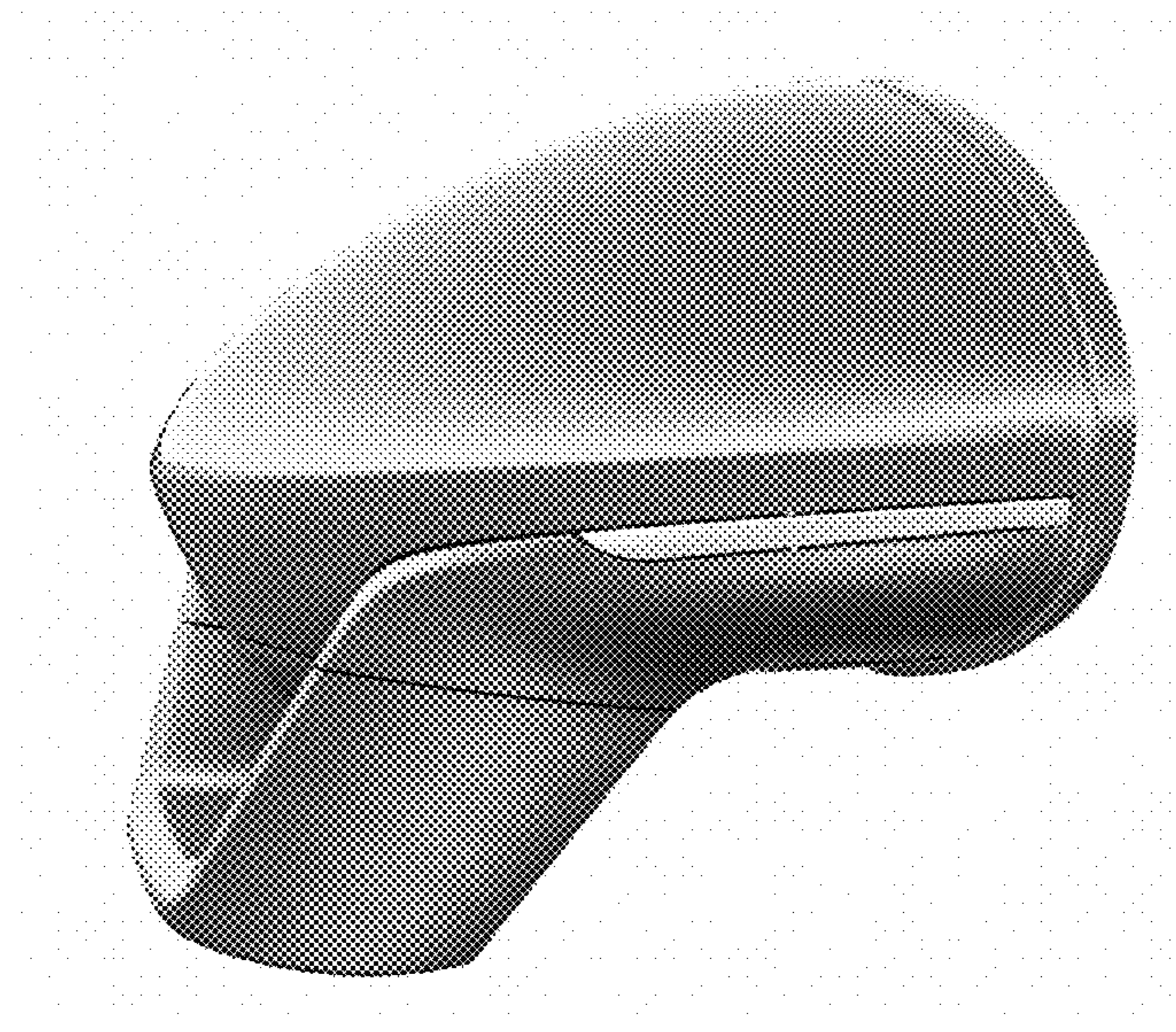


Figure 4

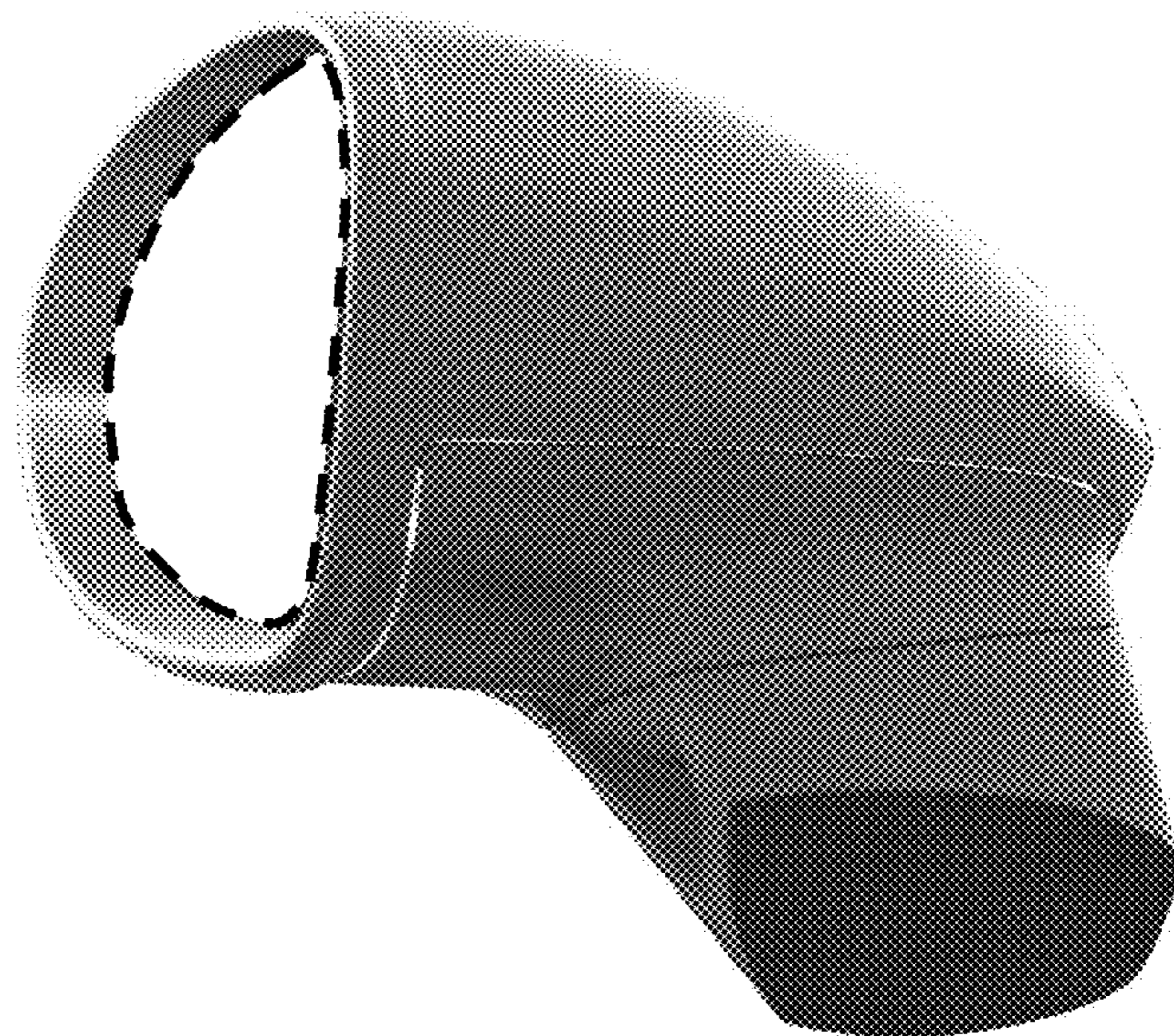


Figure 5

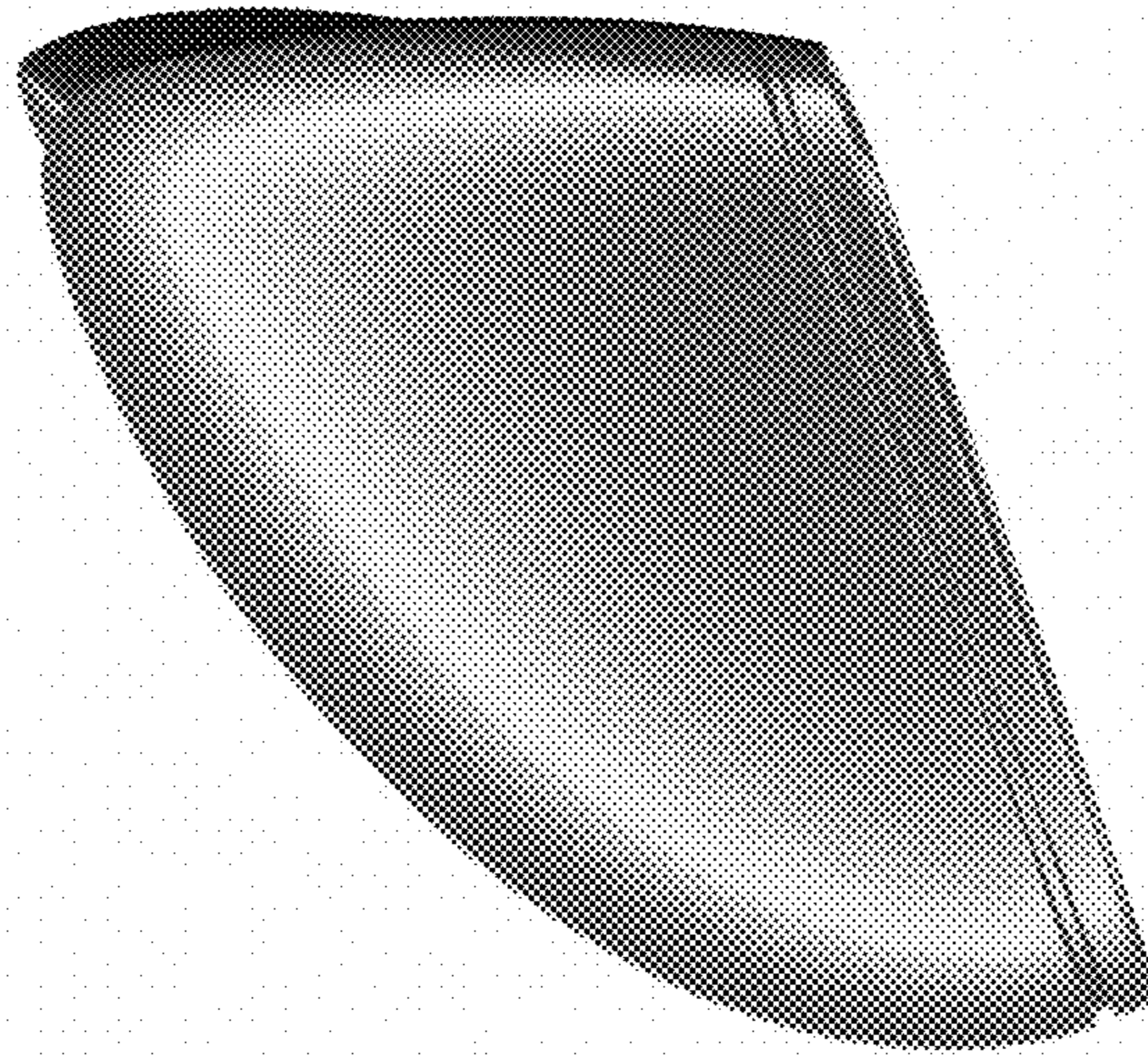


Figure 6

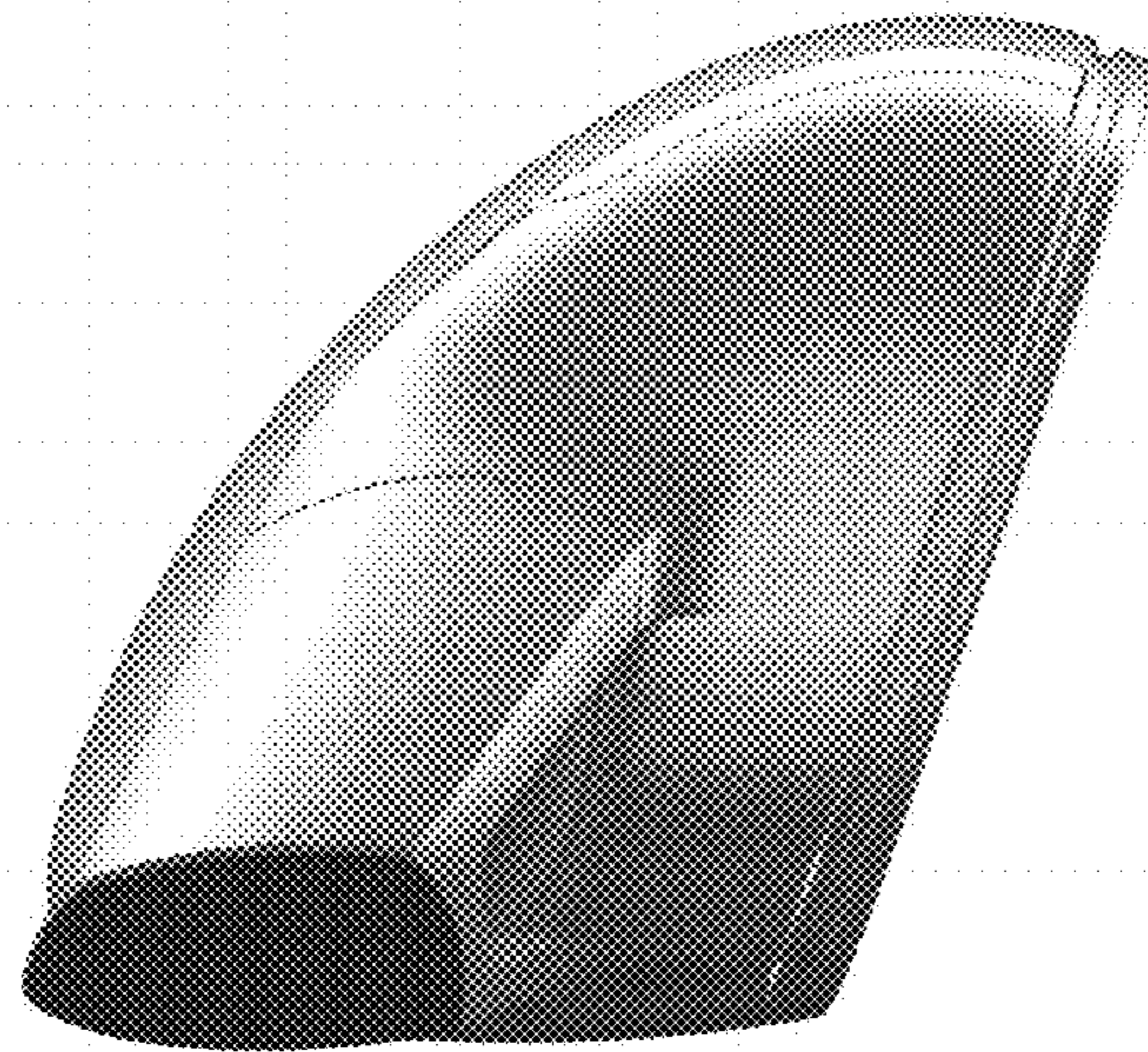


Figure 7