

US00D764362S

(12) **United States Design Patent**  
**Peovarov et al.**

(10) **Patent No.:** **US D764,362 S**

(45) **Date of Patent:** **\*\* Aug. 23, 2016**

- (54) **VEHICLE FRONT FENDER**
- (71) Applicant: **GM Global Technology Operations LLC**, Detroit, MI (US)
- (72) Inventors: **Michael J. Peovarov**, Northville Township, MI (US); **Samuel Zhao**, Franklin, MI (US); **Jaymer Starbody**, Bryan, OH (US)
- (73) Assignee: **GM Global Technology Operations LLC**, Detroit, MI (US)
- (\*\*) Term: **15 Years**
- (21) Appl. No.: **29/538,861**
- (22) Filed: **Sep. 9, 2015**
- (51) **LOC (10) Cl.** ..... **12-16**
- (52) **U.S. Cl.**  
USPC ..... **D12/184**
- (58) **Field of Classification Search**  
USPC ..... D12/88, 90, 91, 92, 181, 184, 196;  
D21/424, 433, 434; 280/847, 848, 849;  
296/180.1, 180.5  
CPC ..... B62D 25/18; B62D 25/184; B62D 25/02;  
B62D 25/16; B62D 25/161; B62D 25/168  
See application file for complete search history.

D603,755 S	11/2009	Peters	
D603,773 S *	11/2009	Schiavone	D12/184
D604,203 S	11/2009	O'Donnell	
D604,681 S *	11/2009	Nakamura	D12/184
D605,082 S	12/2009	Munson	
D605,083 S	12/2009	Manoogian, II et al.	
D605,977 S	12/2009	Zipfel et al.	
D605,978 S	12/2009	Wolff et al.	
D607,797 S *	1/2010	Walter	D12/184
D607,798 S *	1/2010	Weil	D12/184
D608,249 S	1/2010	Peters	
D608,690 S	1/2010	Folden et al.	
D608,691 S	1/2010	Zak, Jr. et al.	
D609,150 S *	2/2010	Krugger	D12/184
D609,608 S	2/2010	Boniface et al.	
D610,512 S *	2/2010	Bucher	D12/184
D611,387 S	3/2010	Thompson et al.	
D611,879 S	3/2010	Kim et al.	
D612,297 S	3/2010	Peters et al.	
D613,645 S	4/2010	Song et al.	

(Continued)

**FOREIGN PATENT DOCUMENTS**

- FR 3006282 A1 \* 12/2014 ..... B62D 25/161
- Primary Examiner* — Rosemary K Tarcza
- Assistant Examiner* — Yolanda Robinson
- (74) *Attorney, Agent, or Firm* — Reising Ethington P.C.

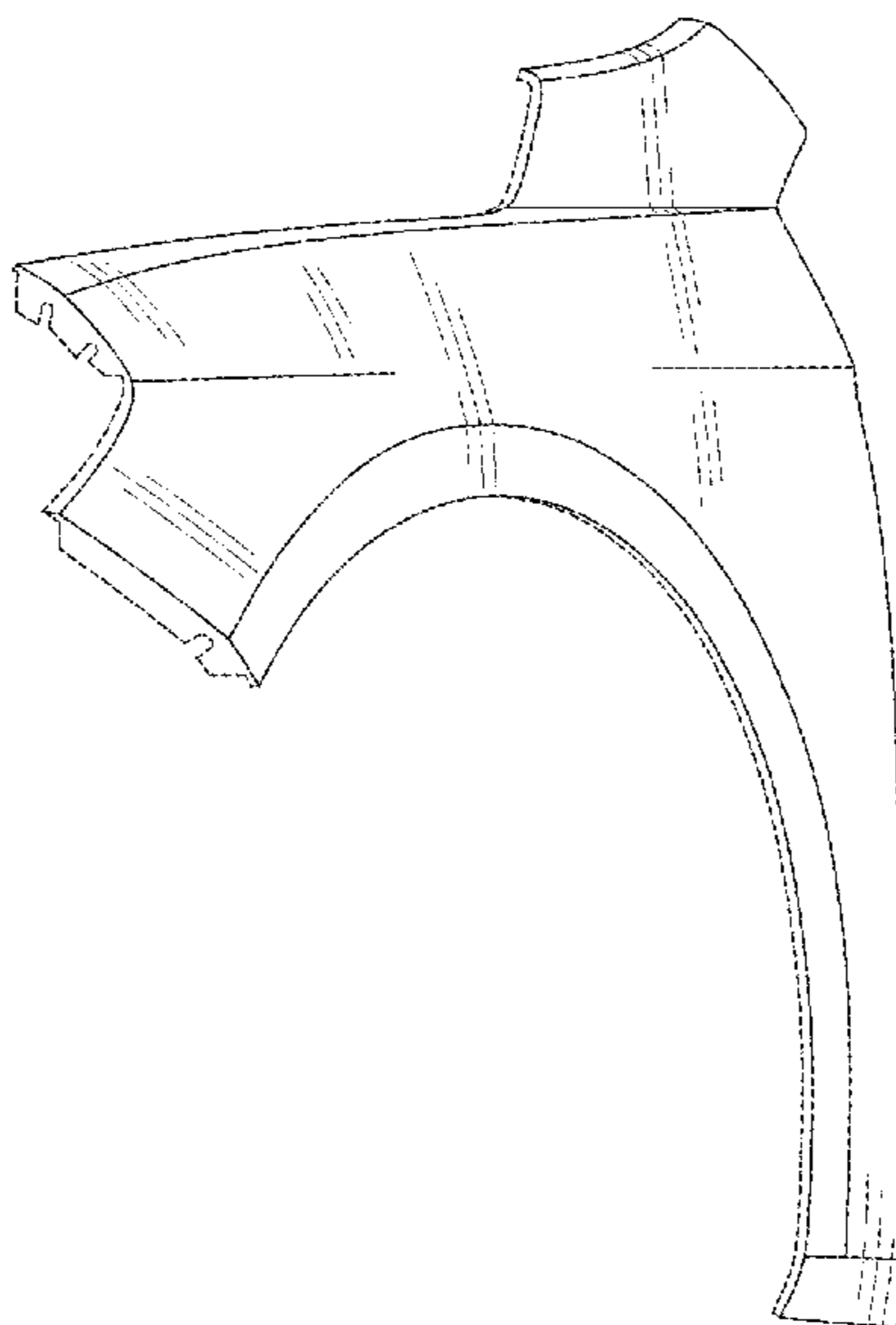
(57) **CLAIM**  
The ornamental design for a vehicle front fender, as shown and described.

**DESCRIPTION**

FIG. 1 is a perspective view of the vehicle front fender; FIG. 2 is a side elevation view thereof; FIG. 3 is a front view thereof; and, FIG. 4 is a top view thereof. The broken lines shown in the drawings depict portions of the vehicle front fender that form no part of the claimed design.

**1 Claim, 2 Drawing Sheets**

- (56) **References Cited**  
U.S. PATENT DOCUMENTS
- D570,742 S 6/2008 Takagi et al.
- D581,332 S \* 11/2008 Song ..... D12/184
- D591,213 S \* 4/2009 Woolley ..... D12/184
- D592,105 S 5/2009 Dean et al.
- D593,915 S \* 6/2009 Habib ..... D12/184
- D597,447 S 8/2009 Folden
- D600,595 S 9/2009 Nakamura et al.
- D601,925 S 10/2009 O'Donnell
- D601,934 S \* 10/2009 Ellis ..... D12/184



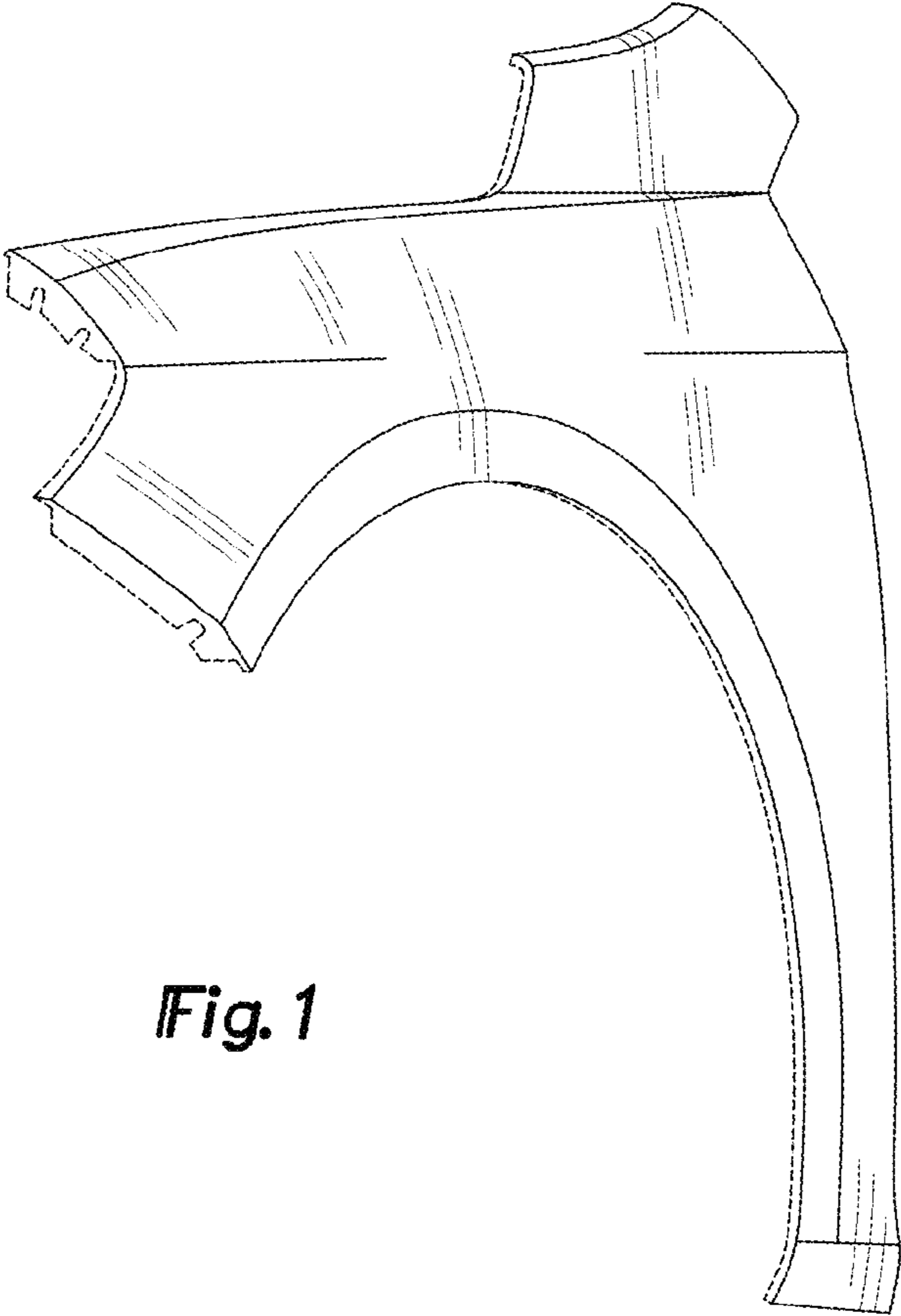
(56)

References Cited

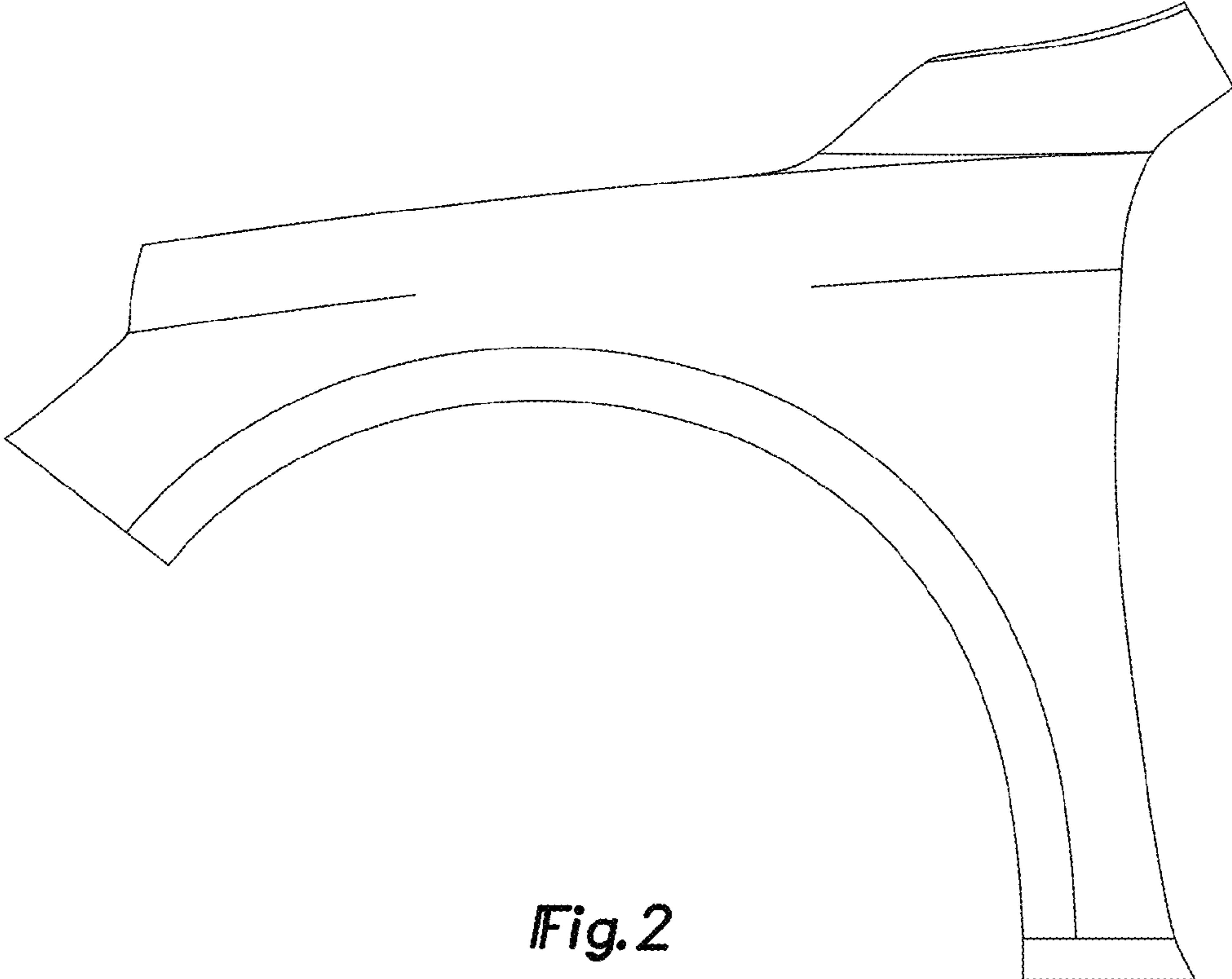
U.S. PATENT DOCUMENTS

D614,100 S *	4/2010	Williams	.....	D12/184	D691,529 S *	10/2013	Minamisawa	.....	D12/184
D615,458 S	5/2010	Thompson et al.			D692,798 S	11/2013	Thurber		
D618,595 S	6/2010	Ware et al.			D692,799 S	11/2013	Smith et al.		
D620,407 S *	7/2010	Froehlich	.....	D12/184	D695,172 S *	12/2013	Kavaja	.....	D12/184
D623,090 S	9/2010	Cox et al.			D696,157 S	12/2013	Loeb		
D627,262 S	11/2010	Ikeda et al.			D697,843 S *	1/2014	Suga	.....	D12/184
D635,488 S	4/2011	Phipps			D698,293 S *	1/2014	Tada	.....	D12/184
D644,147 S	8/2011	Suh et al.			D698,713 S *	2/2014	Endo	.....	D12/184
D644,567 S	9/2011	Kozub			D699,629 S	2/2014	Ikeda et al.		
D654,413 S *	2/2012	Okumoto	.....	D12/184	D700,871 S	3/2014	O'Donnell et al.		
D657,718 S	4/2012	Zipfel et al.			D703,103 S	4/2014	Lee		
D658,100 S *	4/2012	Kubo	.....	D12/184	D704,103 S	5/2014	Mack et al.		
D658,553 S *	5/2012	Hakamata	.....	D12/184	D705,132 S	5/2014	Ware et al.		
D659,052 S	5/2012	Ware et al.			D705,699 S	5/2014	Ware et al.		
D659,053 S	5/2012	Ware et al.			D707,600 S *	6/2014	Johnson	.....	D12/184
D660,214 S *	5/2012	Cartabiano	.....	D12/184	D713,298 S	9/2014	Dyson		
D665,319 S *	8/2012	Huet	.....	D12/184	D713,764 S	9/2014	Ferlazzo		
D668,182 S	10/2012	Franco			D716,696 S	11/2014	Thole et al.		
D668,183 S	10/2012	Smart			D716,706 S	11/2014	Thole et al.		
D669,405 S *	10/2012	Gifford	.....	D12/184	D716,709 S *	11/2014	Thole	.....	D12/184
D671,871 S *	12/2012	Ohkoshi	.....	D12/184	D717,696 S	11/2014	Thole et al.		
D672,295 S *	12/2012	Yamada	.....	D12/184	D718,189 S	11/2014	Krieg et al.		
D678,820 S	3/2013	Son et al.			D718,683 S	12/2014	Thole et al.		
D678,821 S	3/2013	Ikeda et al.			D722,282 S	2/2015	Loeb		
D679,231 S *	4/2013	Karras	.....	D12/184	D722,533 S	2/2015	Thole et al.		
D680,045 S *	4/2013	Hamilton	.....	D12/184	D722,534 S	2/2015	Thole et al.		
D680,909 S	4/2013	Munson et al.			D722,930 S *	2/2015	George	.....	D12/184
D680,910 S	4/2013	David			D724,510 S	3/2015	McMahan et al.		
D680,927 S *	4/2013	Messale	.....	D12/184	D725,001 S	3/2015	McMahan et al.		
D680,928 S *	4/2013	Tani	.....	D12/184	D730,776 S	6/2015	Smart		
D681,523 S *	5/2013	Messale	.....	D12/184	D730,783 S	6/2015	Henriques et al.		
D682,171 S *	5/2013	Fuchigami	.....	D12/184	D732,435 S	6/2015	Mackay		
D683,289 S *	5/2013	Yoshida	.....	D12/184	D735,627 S	8/2015	Smith		
D683,679 S *	6/2013	Platto	.....	D12/184	D736,451 S	8/2015	Smith		
D684,899 S	6/2013	Baker			D746,742 S *	1/2016	Curic	.....	D12/184
D686,125 S *	7/2013	McCabe	.....	D12/184	D746,743 S *	1/2016	Behmer	.....	D12/184
D686,536 S	7/2013	McCabe et al.			D749,026 S *	2/2016	Smith	.....	D12/184
					D749,027 S *	2/2016	McMahan	.....	D12/184
					D750,001 S *	2/2016	Thole	.....	D12/184

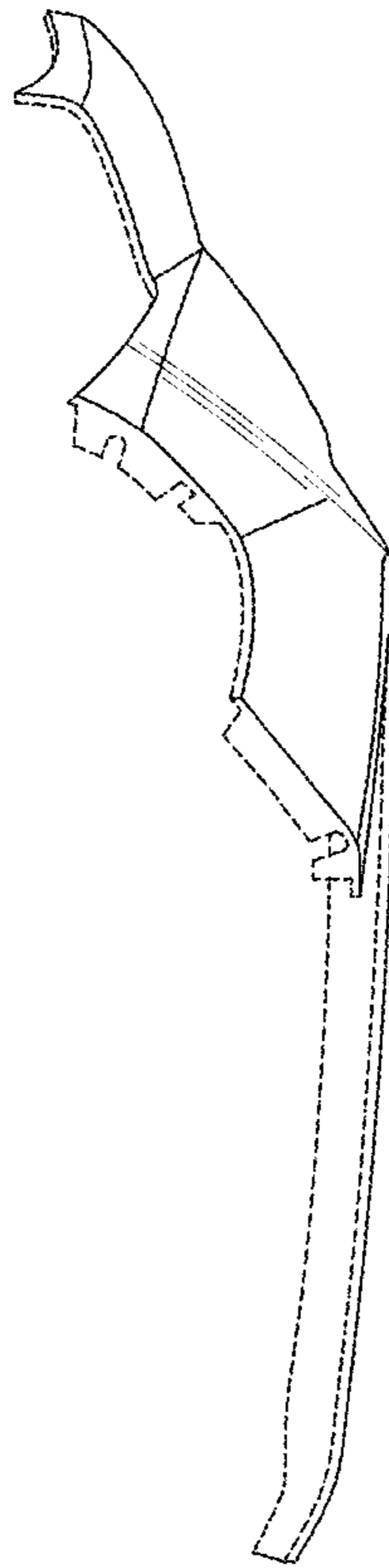
\* cited by examiner



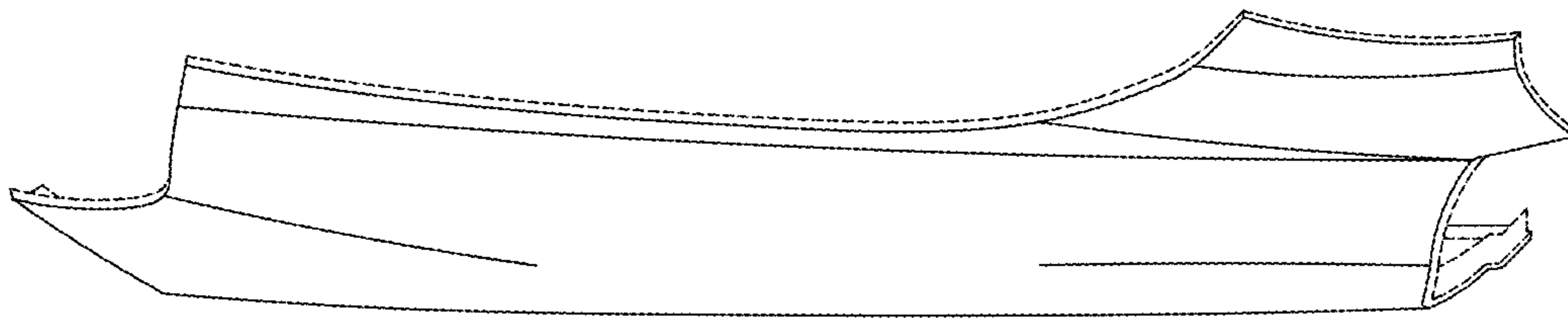
*Fig. 1*



*Fig. 2*



*Fig. 3*



*Fig. 4*