



US00D764361S

(12) **United States Design Patent**  
**Noble et al.**

(10) **Patent No.:** **US D764,361 S**  
(45) **Date of Patent:** **\*\* Aug. 23, 2016**

(54) **LOAD CUSHION**

FOREIGN PATENT DOCUMENTS

(71) Applicant: **Hendrickson USA, L.L.C.**, Itasca, IL (US)

EP 0247284 12/1987  
GB 706558 3/1954

(Continued)

(72) Inventors: **Shawn D. Noble**, Naperville, IL (US);  
**Matthew J. Van Meter**, Plainfield, IL (US);  
**Randy Joseph Zimmerman**, Spencerville, IN (US)

OTHER PUBLICATIONS

European Patent Office, Extended European Search Report mailed on Apr. 23, 2015, issued in connection with EP Application No. 14200268.2, 11 pages.

(Continued)

(73) Assignee: **Hendrickson USA, L.L.C.**, Itasca, IL (US)

(\*\*) Term: **14 Years**

*Primary Examiner* — Michael A Pratt

(21) Appl. No.: **29/518,936**

(74) *Attorney, Agent, or Firm* — McDonnell Boehnen Hulbert & Berghoff LLP.

(22) Filed: **Feb. 27, 2015**

**Related U.S. Application Data**

(63) Continuation of application No. 14/500,106, filed on Sep. 29, 2014.

(51) **LOC (10) Cl.** ..... **12-16**

(52) **U.S. Cl.**

USPC ..... **D12/159**

(58) **Field of Classification Search**

USPC ..... D12/159

CPC ..... B62D 1/046; B62D 1/185; B62D 1/195;

B62D 1/187; B60G 11/22; B60G 2204/125;

B60G 2202/143; B60G 2202/142; B60G

2204/41; B60G 2202/14; B60G 2206/73

See application file for complete search history.

(56) **References Cited**

U.S. PATENT DOCUMENTS

D56,073 S 7/1866 Martin  
2,167,911 A 8/1939 Schieferstein  
2,215,743 A 9/1940 Saurer  
3,767,222 A 10/1973 Willetts

(Continued)

(57) **CLAIM**

The ornamental design for a load cushion, as shown and described.

**DESCRIPTION**

FIG. 1 is a perspective top and left side view of a load cushion having the inventive design;

FIG. 2 is a rear view of the load cushion shown in FIG. 1.

FIG. 3 is a front view of the load cushion shown in FIG. 1;

FIG. 4 is a left side view of the load cushion shown in FIG. 1;

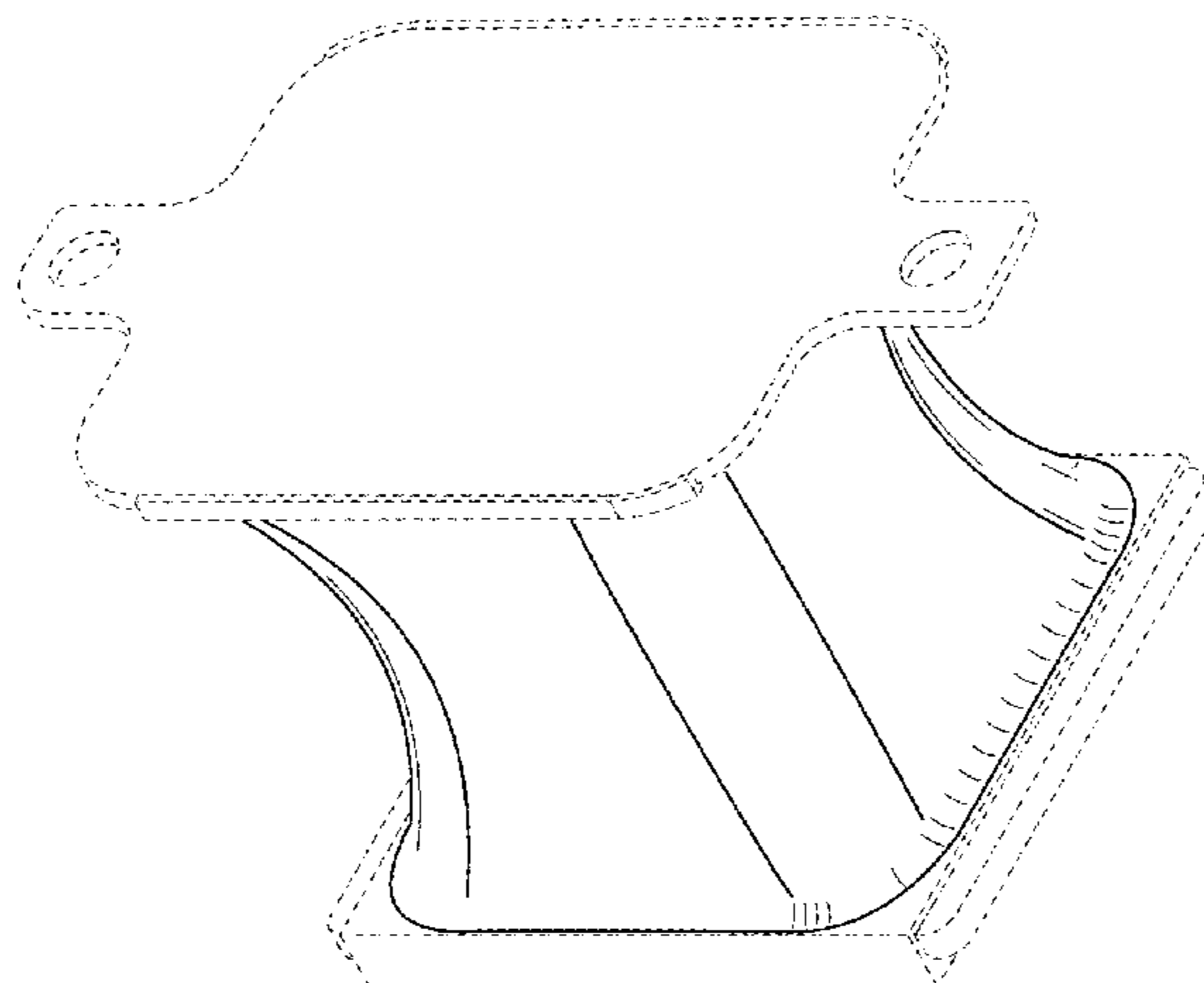
FIG. 5 is a right side view of the load cushion shown in FIG. 1;

FIG. 6 is a top view of the load cushion shown in FIG. 1; and,

FIG. 7 is a bottom view of the load cushion shown in FIG. 1.

The broken lines in the drawings are for the purpose of illustrating portions of the load cushion that form no part of the claimed design.

**1 Claim, 4 Drawing Sheets**



(56)

**References Cited**

U.S. PATENT DOCUMENTS

3,892,398	A	7/1975	Marsh	
4,000,914	A	1/1977	Wragg	
4,213,633	A	7/1980	Moore	
4,355,792	A	10/1982	Fukuka et al.	
4,796,910	A	1/1989	Starr, Sr.	
5,118,086	A	6/1992	Stevenson et al.	
6,585,286	B2	7/2003	Adema et al.	
7,458,172	B2	12/2008	Aveni	
D605,984	S *	12/2009	Noble	D12/159
D610,952	S *	3/2010	Noble	D12/159
8,152,195	B2	4/2012	Noble et al.	
8,262,112	B1 *	9/2012	Noble	B60G 5/02 267/141.1
D677,607	S *	3/2013	Moriyama	D12/159
D699,637	S *	2/2014	Noble	D12/160
8,720,937	B2 *	5/2014	Noble	F16F 1/373 267/140
9,004,512	B2	4/2015	Noble et al.	
9,150,071	B2 *	10/2015	Noble	B60G 5/02
2002/0163165	A1	11/2002	Adema	
2008/0022884	A1	1/2008	Palinkas	

2008/0030006	A1 *	2/2008	Sellers	B60G 9/00 280/686
2009/0218740	A1 *	9/2009	Gedenk	B61F 5/305 267/294
2016/0089942	A1 *	3/2016	Noble	B60G 5/02 280/677

FOREIGN PATENT DOCUMENTS

GB	2 069 424	8/1981
GB	2 252 276	8/1992
GB	2378229	2/2003
JP	2000118221	4/2000

OTHER PUBLICATIONS

Hendrickson, Haulmaxx, Technical Procedure, Service Instructions, Lit No. 17730-244, Dec. 2007, Rev. C, 48 pages.  
Hendrickson, HN Series, VariRate Spring System, Lit. No. 45745-087, Rev. K, Apr. 2014, 3 pages.  
International Searching Authority, International Search Report and Written Opinion for PCT/US2014/060704 mailed May 11, 2015, 10 pages.

\* cited by examiner

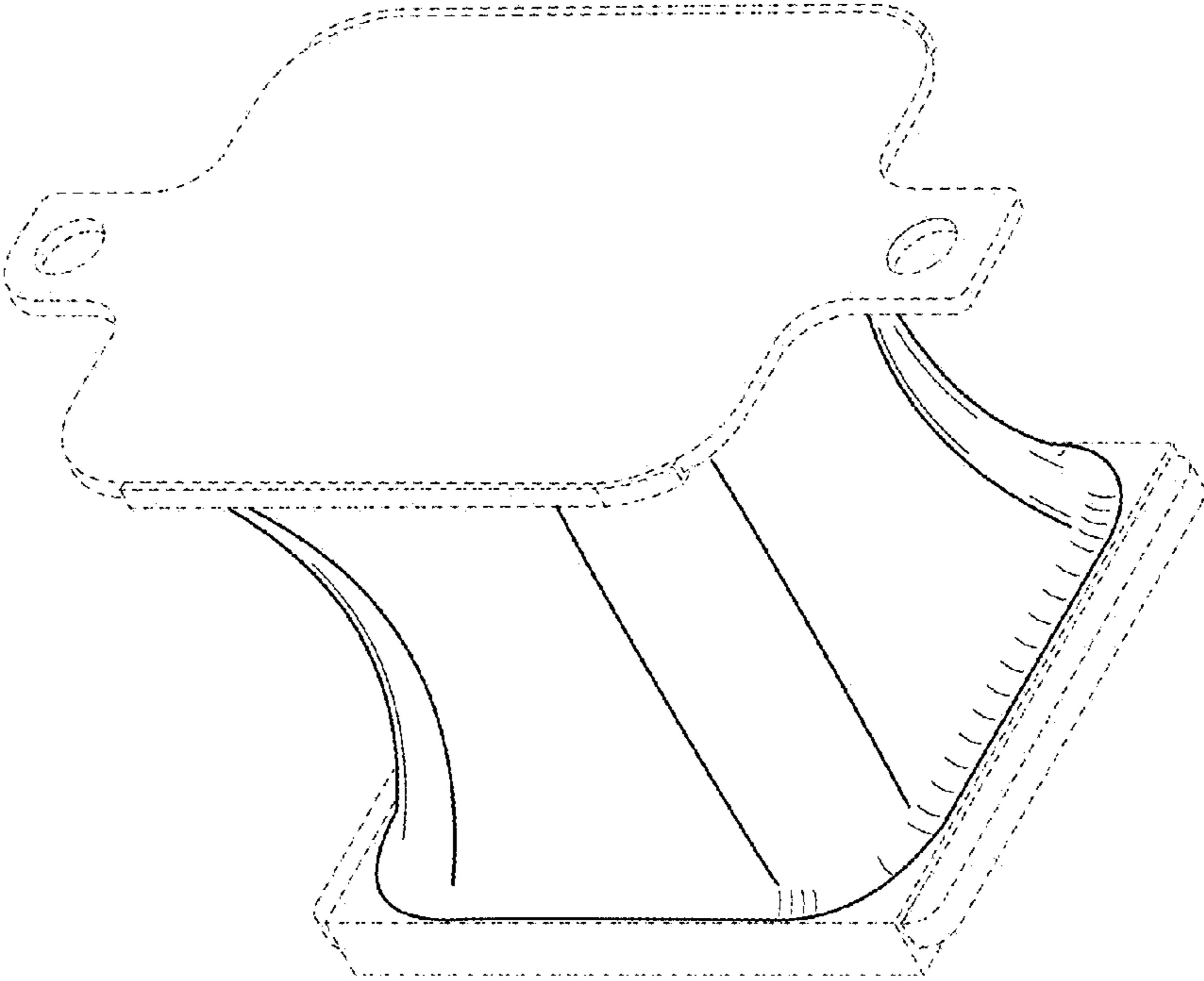


FIG. 1

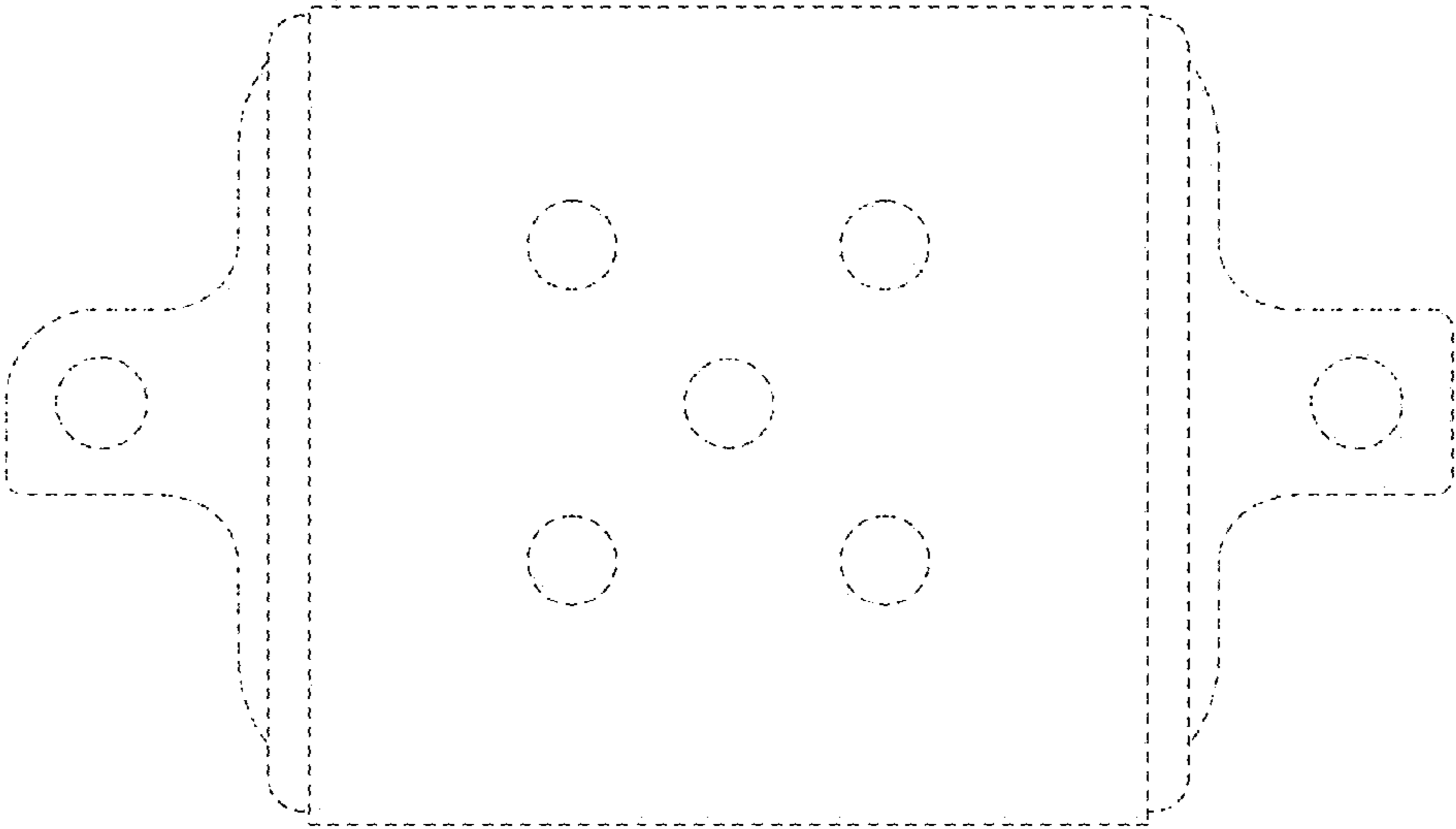


FIG. 2

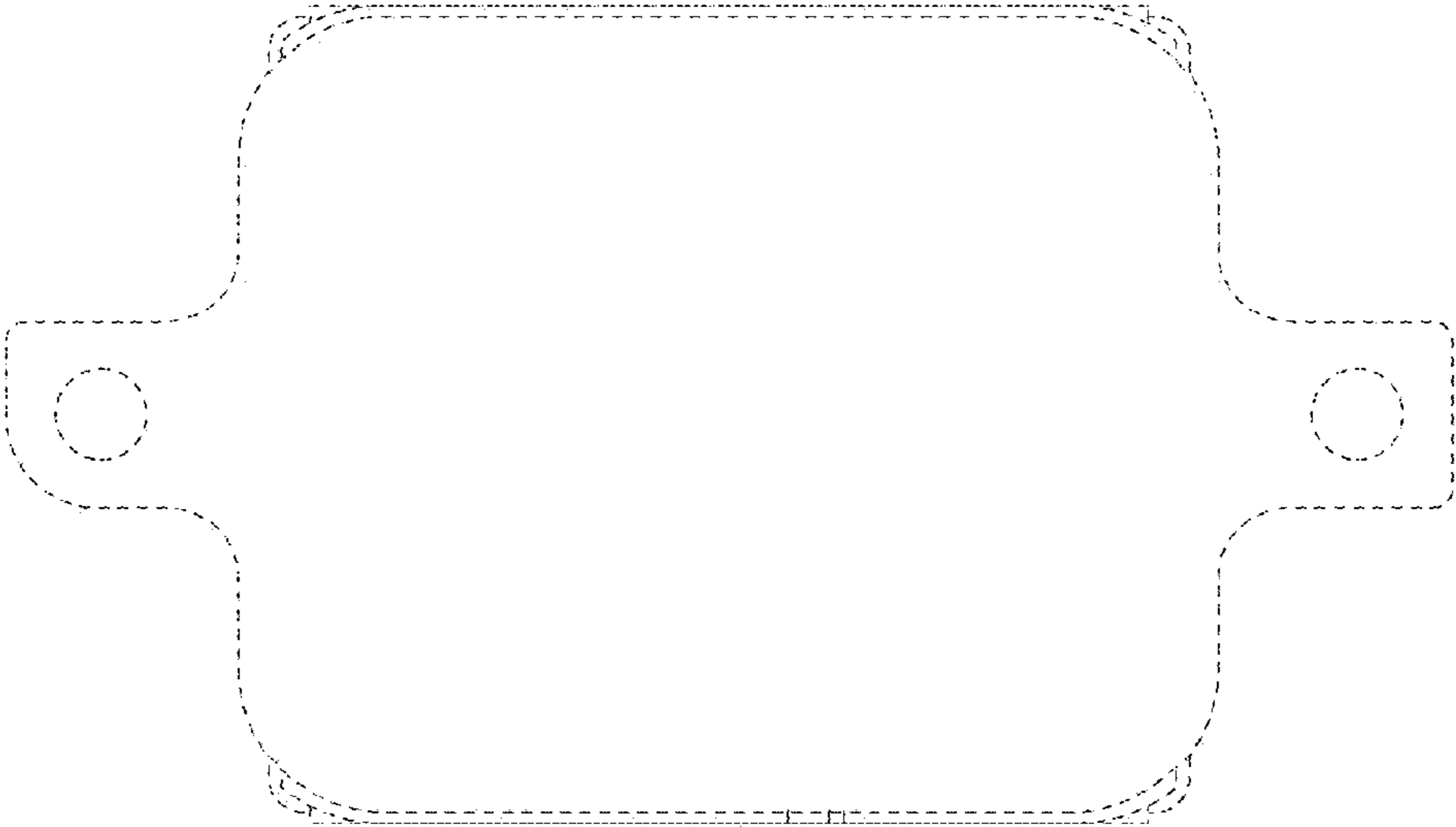


FIG. 3

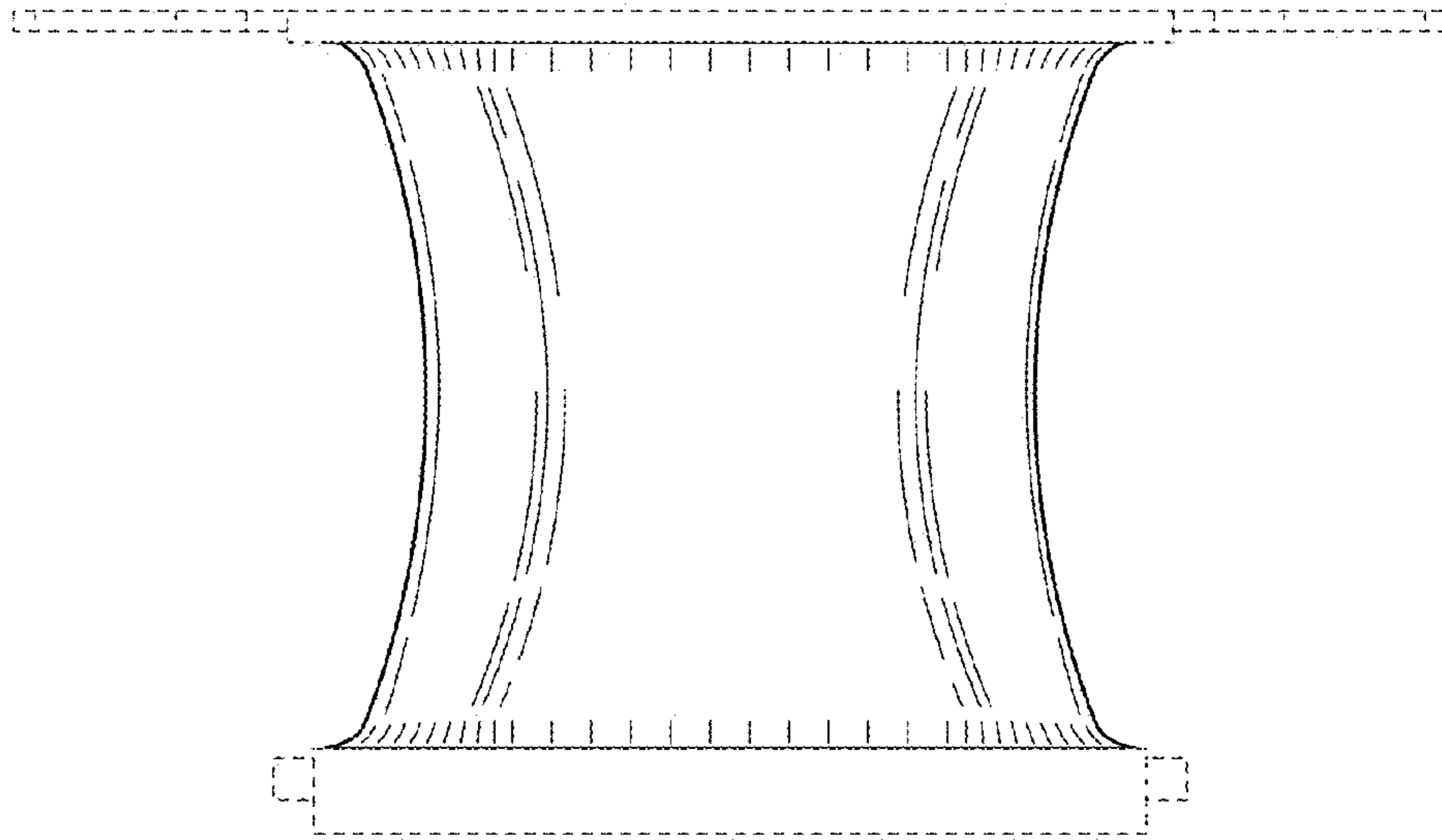


FIG. 4

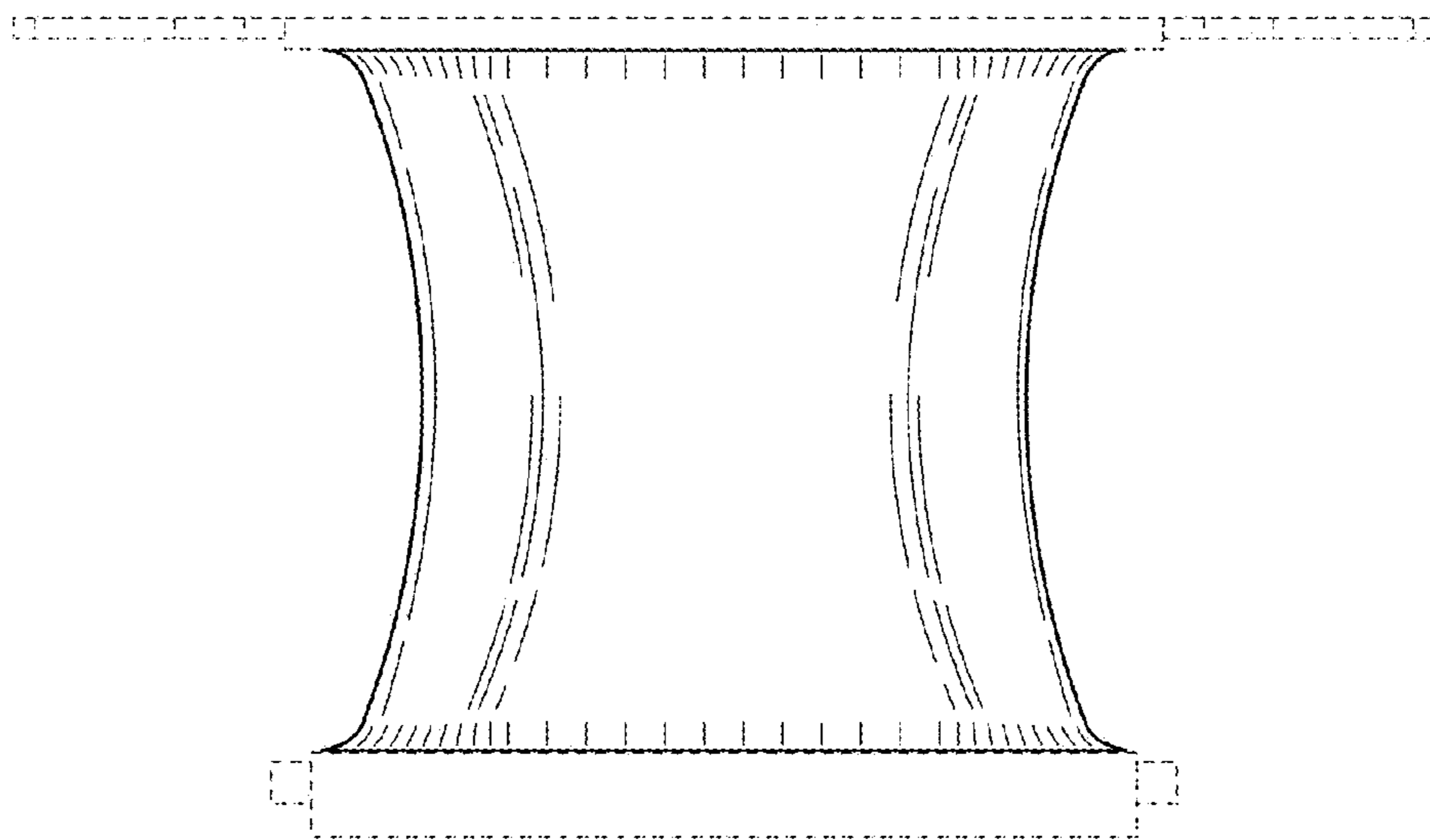


FIG. 5

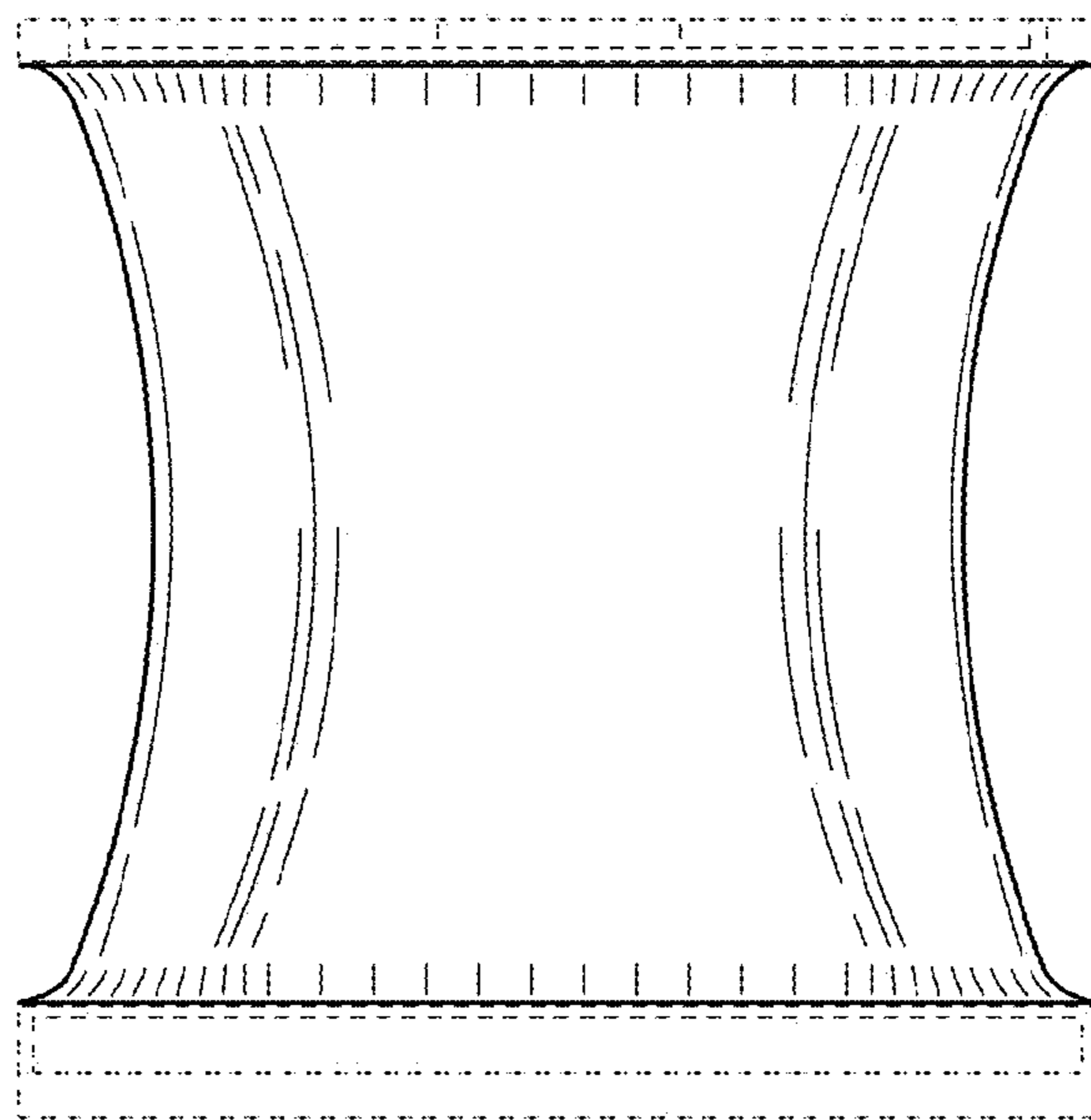


FIG. 6

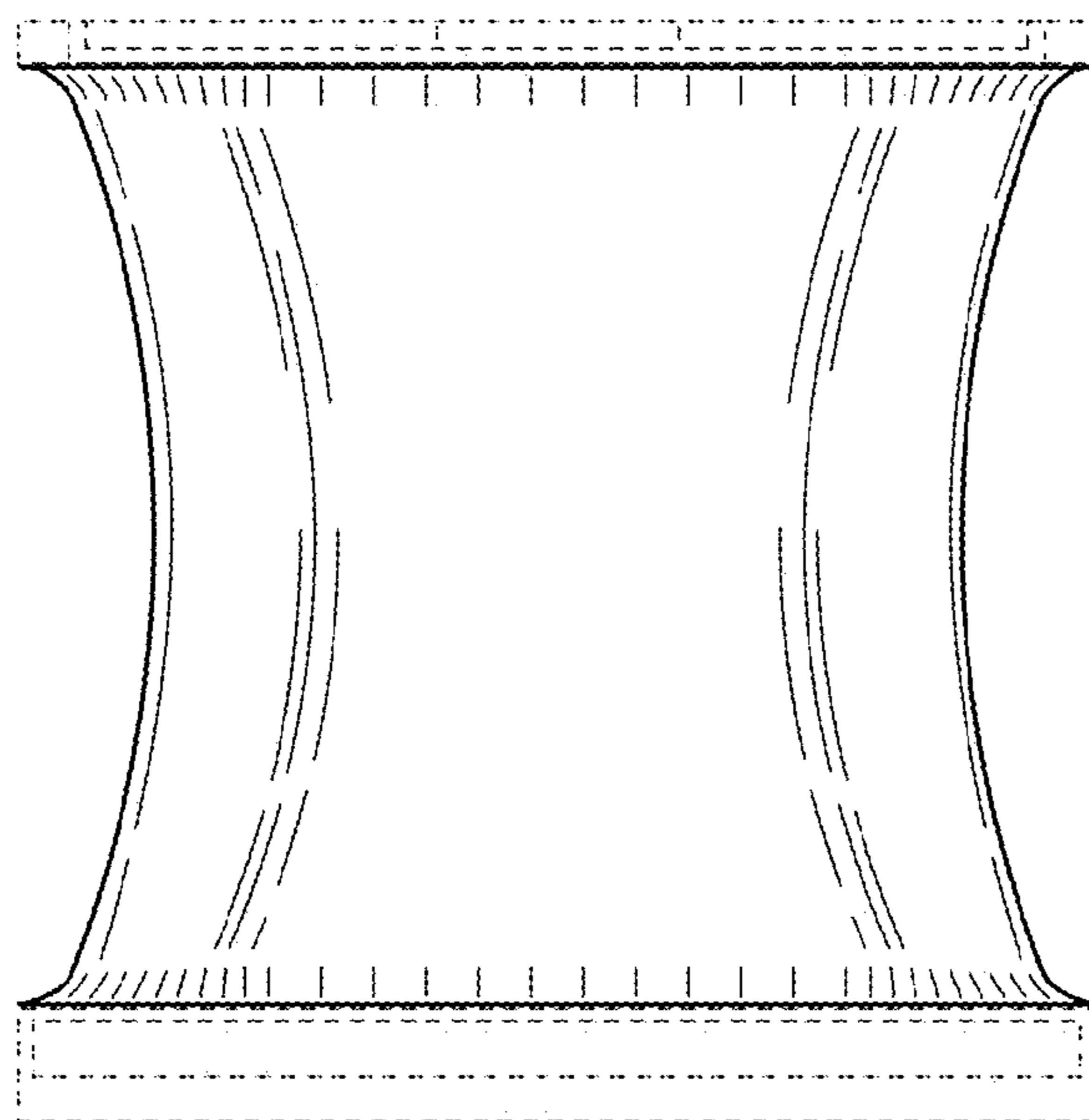


FIG. 7