



US00D764360S

(12) **United States Design Patent**  
**Conner et al.**

(10) **Patent No.:** **US D764,360 S**

(45) **Date of Patent:** **\*\* Aug. 23, 2016**

(54) **STEERING KNUCKLE FOR A DRIVING APPARATUS**

(71) Applicants: **Hitachi Metals America, Ltd.**, Novi, MI (US); **Hitachi Metals, Ltd.**, Tokyo (JP)

(72) Inventors: **Aaron Conner**, Novi, MI (US); **Rick Bowen**, Novi, MI (US); **Ronald Walker**, Novi, MI (US)

(73) Assignees: **HITACHI METALS AMERICA, LTD.**, Novi, MI (US); **HITACHI METALS, LTD.**, Tokyo (JP)

(\*\*) Term: **14 Years**

(21) Appl. No.: **29/503,930**

(22) Filed: **Sep. 30, 2014**

(51) **LOC (10) Cl.** ..... **12-16**

(52) **U.S. Cl.**  
USPC ..... **D12/159**

(58) **Field of Classification Search**  
USPC ..... D12/159  
CPC ..... F16C 11/0671; F16C 11/00; F16C 11/06;  
F16C 2326/24; F16F 9/3242; F16F 9/0218;  
F16F 9/0227; F16F 9/3221; F16F 9/3235;  
Y10T 16/62; Y10T 16/281  
See application file for complete search history.

(56) **References Cited**

**U.S. PATENT DOCUMENTS**

3,749,415 A \* 7/1973 Sampatacos ..... B60G 7/005  
280/124.136  
4,618,159 A \* 10/1986 Kozyra ..... B60T 1/065  
180/253

(Continued)

**FOREIGN PATENT DOCUMENTS**

CN 302660191 S 11/2013  
IN 2012MU00844 3/2013

(Continued)

**OTHER PUBLICATIONS**

United States Office Action dated Dec. 21, 2015 in co-pending U.S. Appl. No. 29/503,922.

(Continued)

*Primary Examiner* — Michael A Pratt

(74) *Attorney, Agent, or Firm* — McGinn IP Law Group PLLC

(57) **CLAIM**

The ornamental design for a steering knuckle for a driving apparatus, as shown and described.

**DESCRIPTION**

FIG. 1 is a front view of a steering knuckle comprising an opening hole, a recess having an omega-like cross-section, and a beam connecting between the two (environment) as showing our new design;

FIG. 2 is a perspective view thereof;

FIG. 3 is an X-plane cross section view of a steering knuckle as showing our new design;

FIG. 4 is a first Y-plane cross section view of a steering knuckle as showing our new design;

FIG. 5 is a second Y-plane cross section view of a steering knuckle as showing our new design;

FIG. 6 is a third Y-plane cross section view of a steering knuckle as showing our new design;

FIG. 7 is an fourth Y-plane cross section view of a steering knuckle as showing our new design;

FIG. 8 is a first Z-plane cross section view of a steering knuckle as showing our new design;

FIG. 9 is a second Z-plane cross section view of a steering knuckle as showing our new design;

FIG. 10 is a third Z-plane cross section view of a steering knuckle as showing our new design;

FIG. 11 is a front view of a second embodiment of the steering knuckle;

FIG. 12 is a perspective view of the second embodiment of the steering knuckle;

FIG. 13 is a front view of a third embodiment of the steering knuckle;

FIG. 14 is a perspective view of the third embodiment of the steering knuckle;

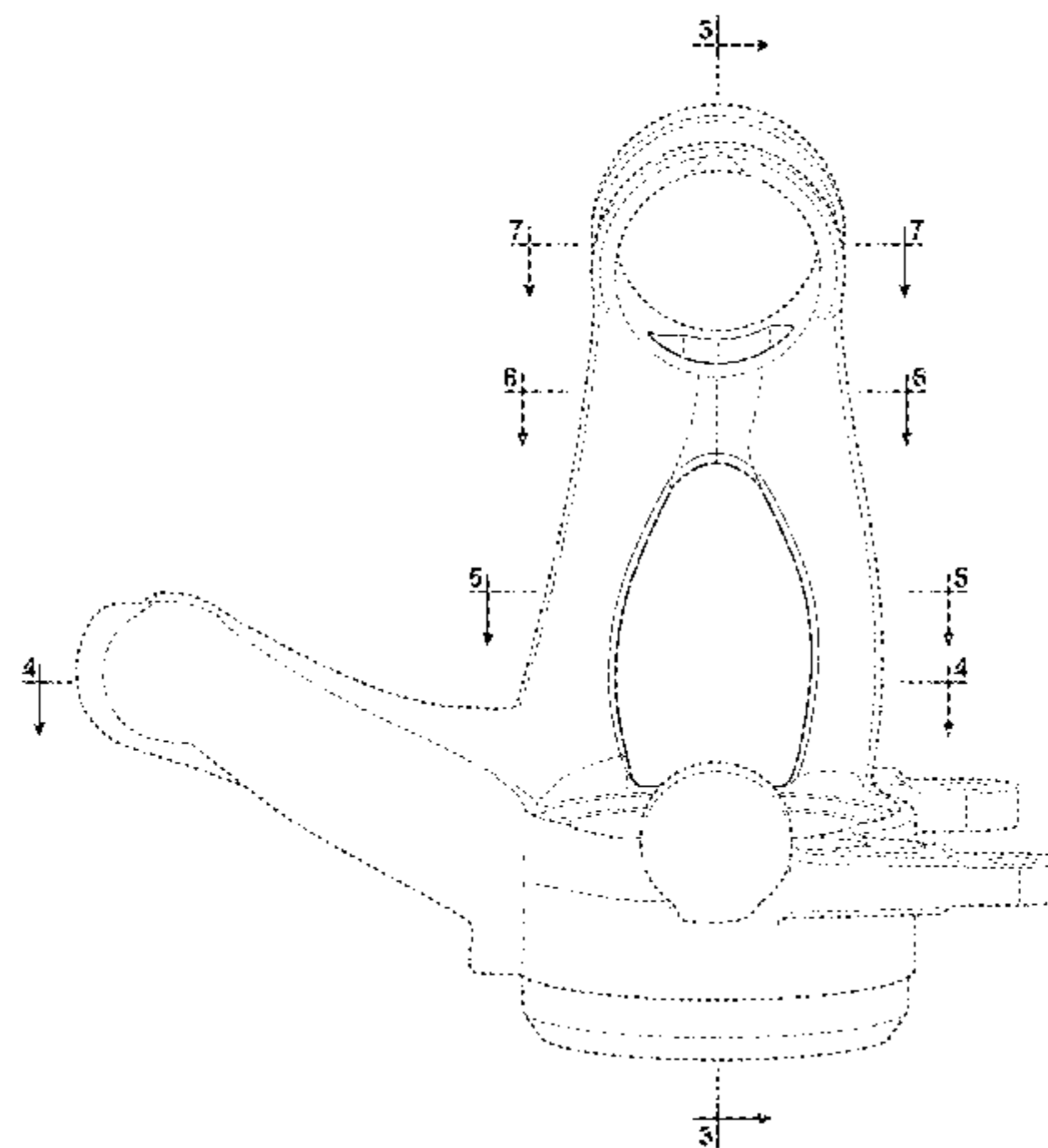
FIG. 15 is a front view of a fourth embodiment of the steering knuckle;

FIG. 16 is a perspective view of the fourth embodiment of the steering knuckle;

FIG. 17 is a front view of a fifth embodiment of the steering knuckle; and,

FIG. 18 is a perspective view of the fifth embodiment of the steering knuckle.

**1 Claim, 18 Drawing Sheets**



(56)

References Cited

U.S. PATENT DOCUMENTS

4,722,540 A \* 2/1988 Kozyra ..... B60T 1/065  
180/253

5,022,673 A 6/1991 Sekino et al.  
5,120,150 A 6/1992 Kozyra et al.  
5,366,233 A 11/1994 Kozyra et al.  
6,179,308 B1 1/2001 Mielauskas et al.  
6,739,422 B2 5/2004 Krude et al.  
D612,304 S 3/2010 Mahnig et al.  
8,297,632 B2 10/2012 Webster et al.  
D686,952 S 7/2013 Rau et al.  
8,794,647 B2 8/2014 Moessinger  
2006/0110213 A1 \* 5/2006 Wolf ..... B60G 7/008  
403/134

2013/0181421 A1 7/2013 Rohde et al.  
2015/0251695 A1 \* 9/2015 Burgess ..... B62D 7/16  
403/343

FOREIGN PATENT DOCUMENTS

JP 2001-114127 A 4/2001  
JP 2001-187583 A 7/2001

JP 1358555 S 5/2009  
JP 1447400 S 7/2012  
JP 2014-91469 A 5/2014  
WO WO 97/13674 4/1997  
WO WO 9713674 A1 \* 4/1997 ..... B62D 7/18

OTHER PUBLICATIONS

United States Office Action dated Feb. 12, 2016 in co-pending U.S. Appl. No. 14/532,564.  
United States Office Action dated Feb. 12, 2016 in co-pending U.S. Appl. No. 14/876,367.  
International Search Report in PCT/US2015/059017 dated Jan. 13, 2016.  
Written Opinion of the International Searching Authority in PCT/US2015/059017.  
United States Notice of Allowance dated Dec. 28, 2015 in co-pending U.S. Appl. No. 29/503,927.

\* cited by examiner

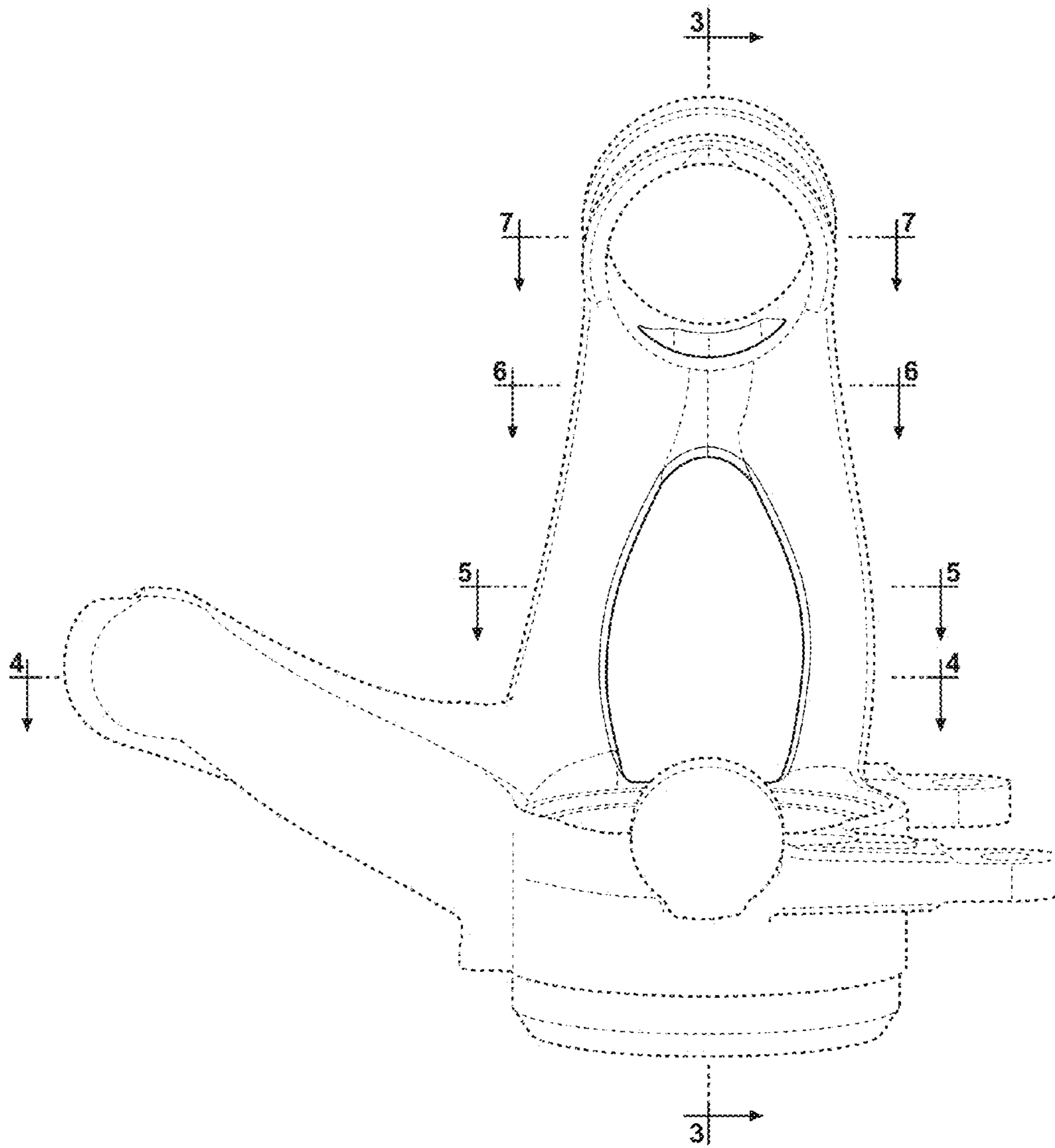


FIG. 1

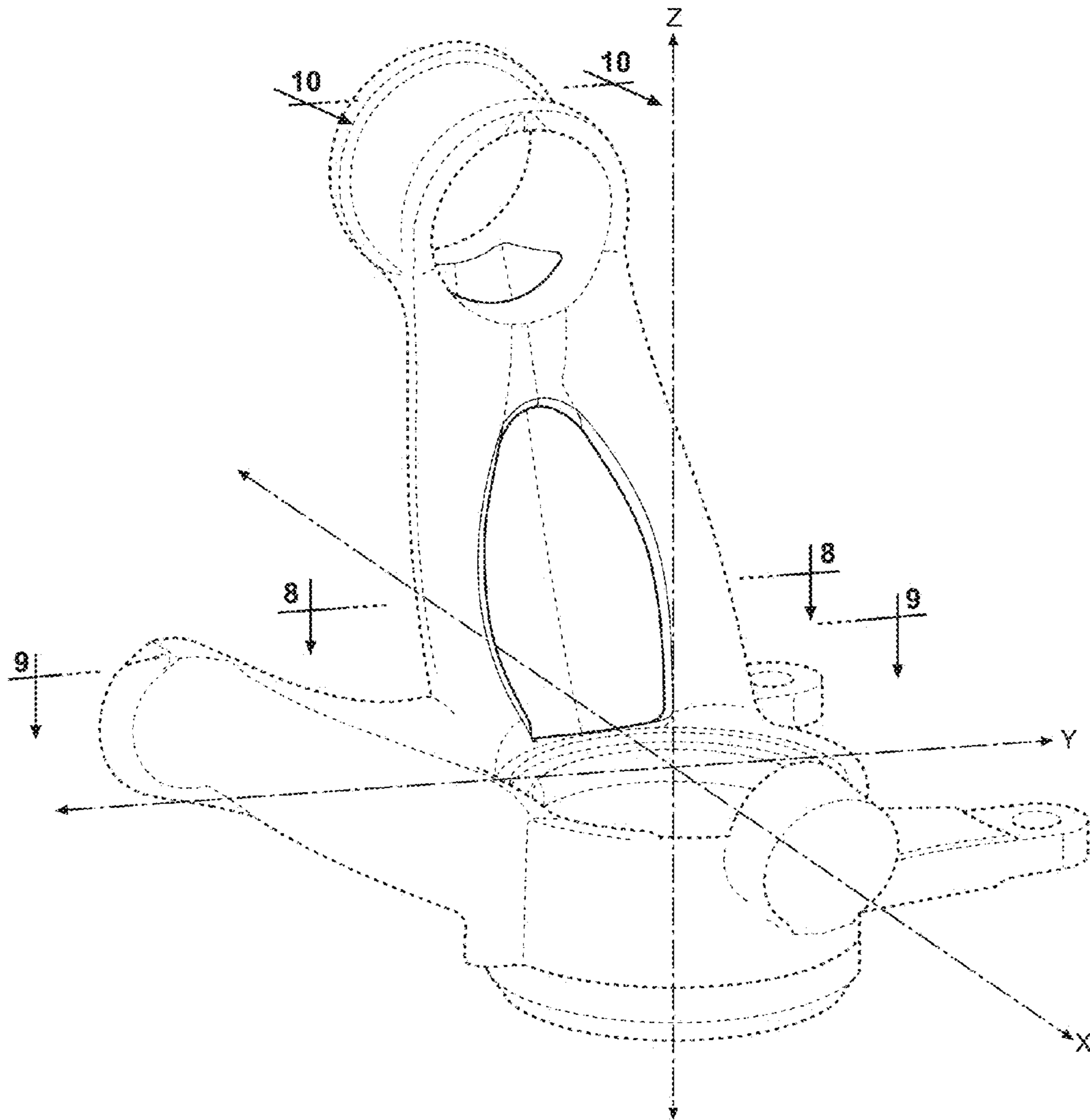


FIG. 2

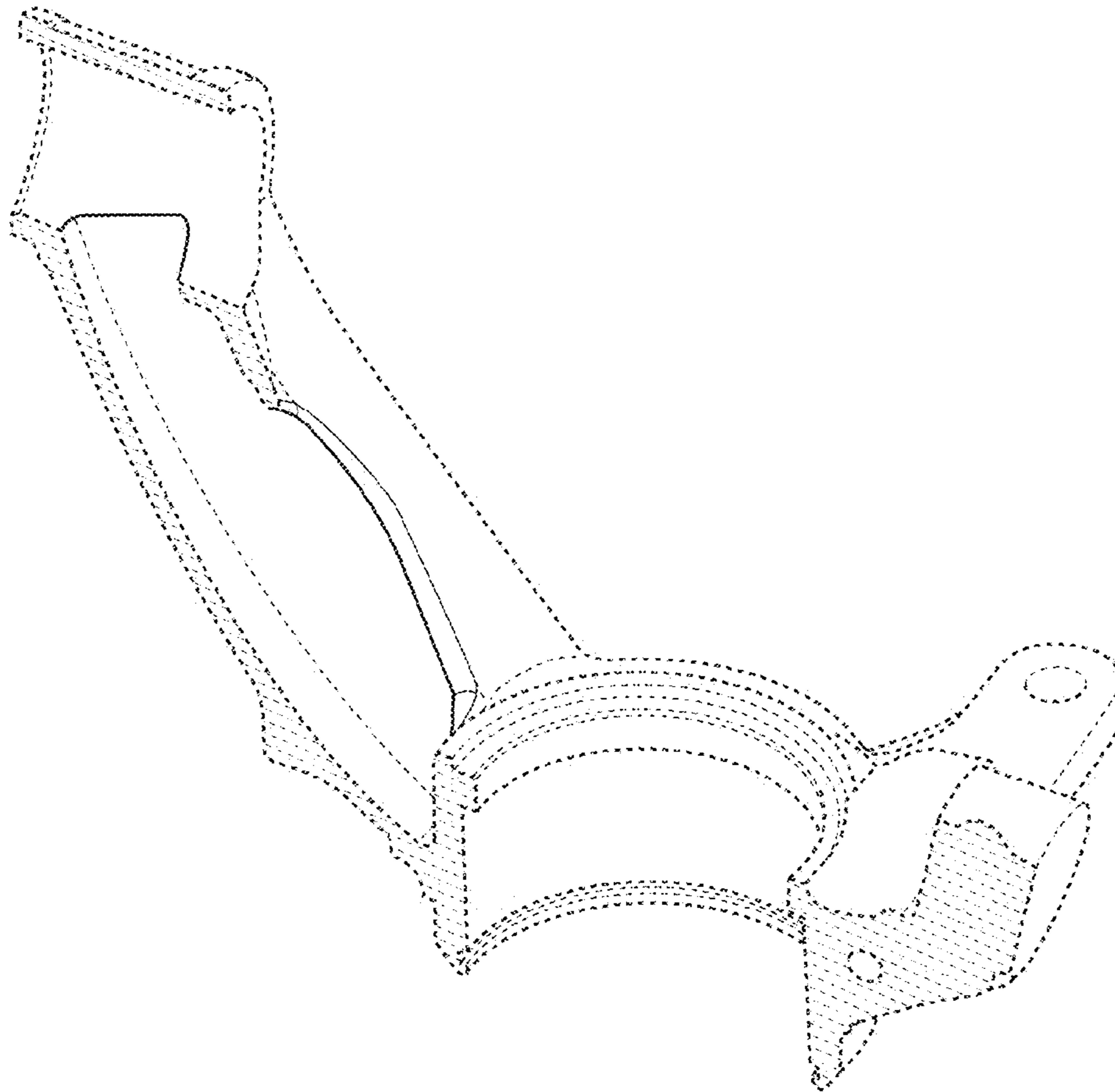


FIG. 3



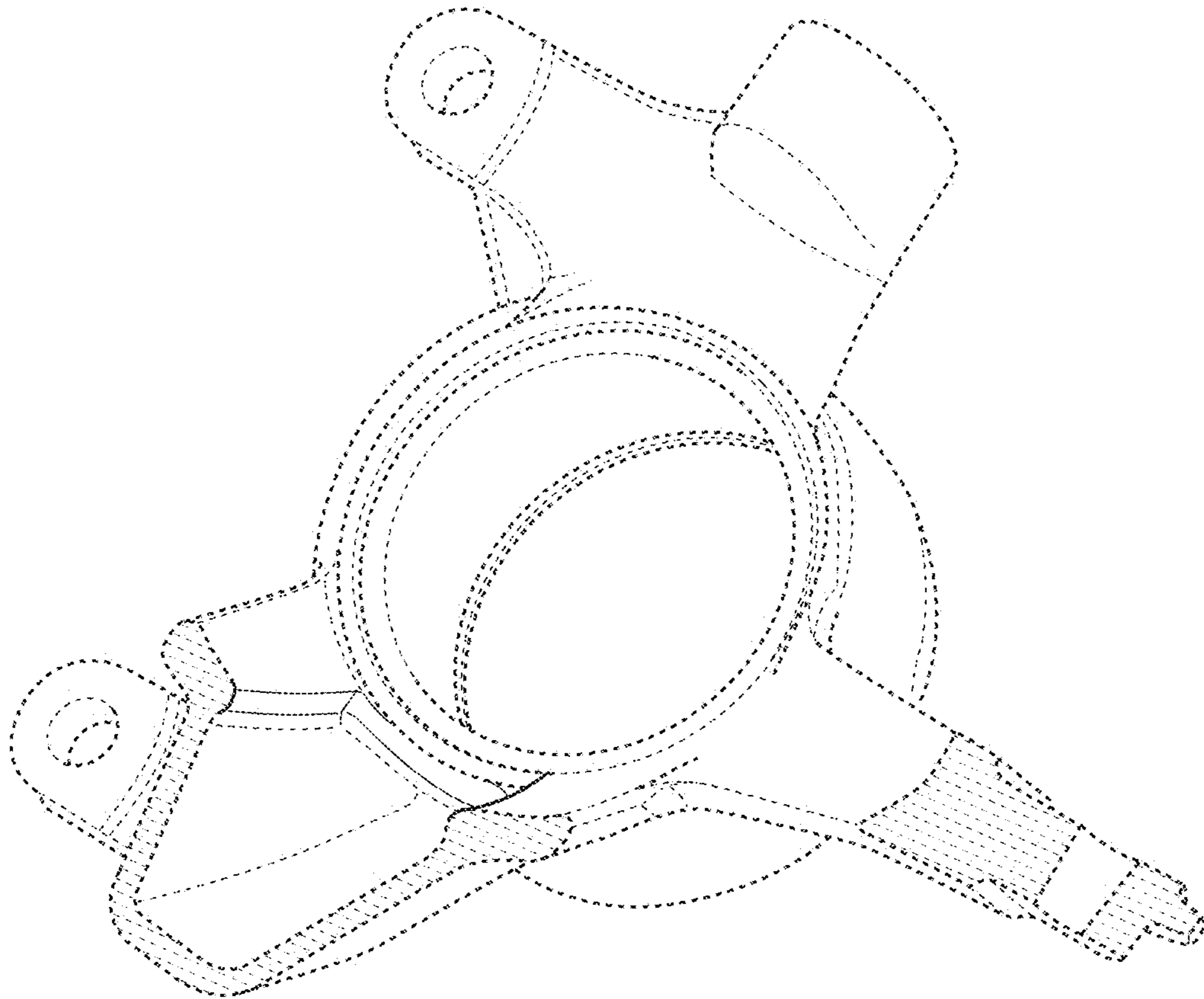


FIG. 4

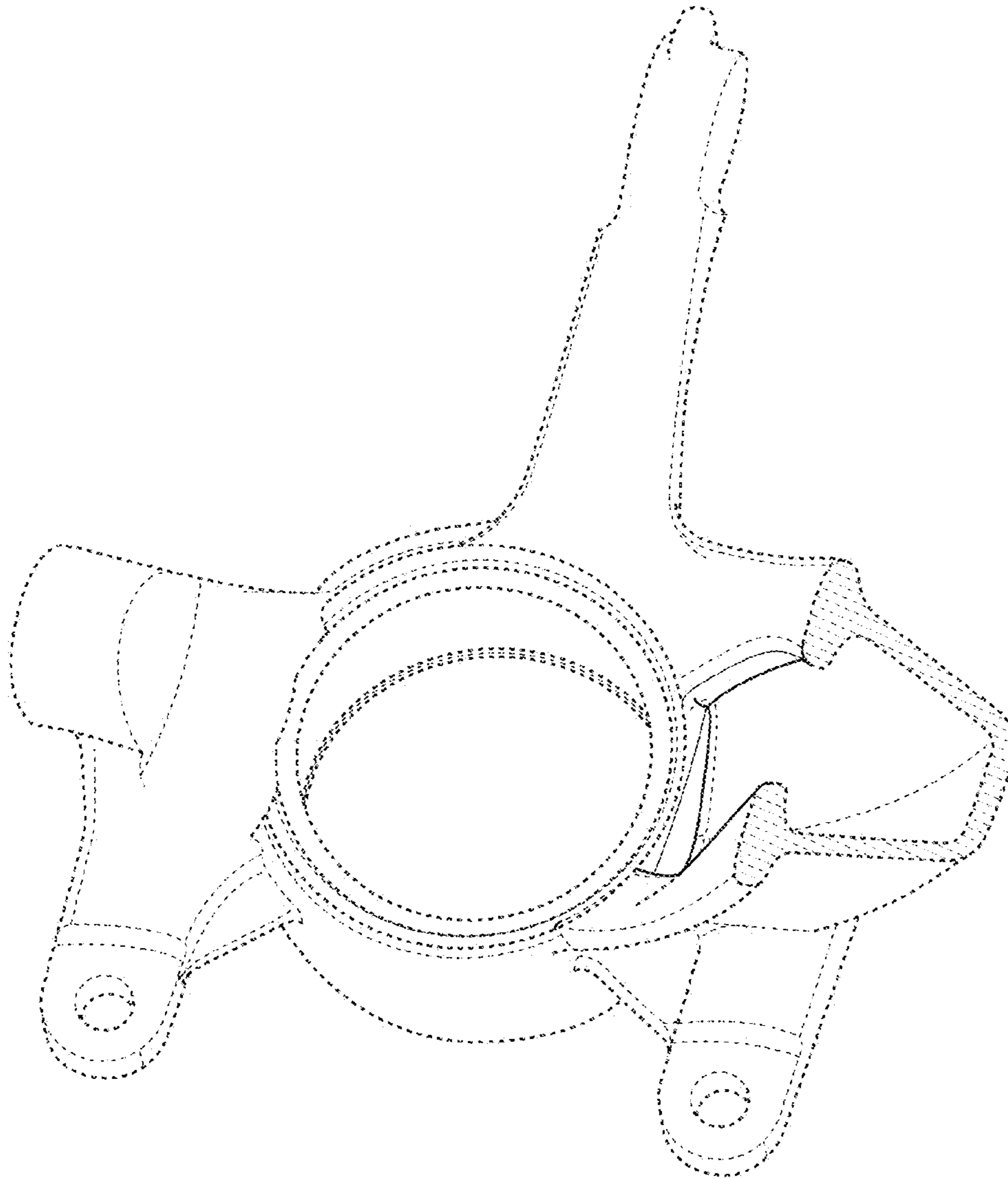


FIG. 5

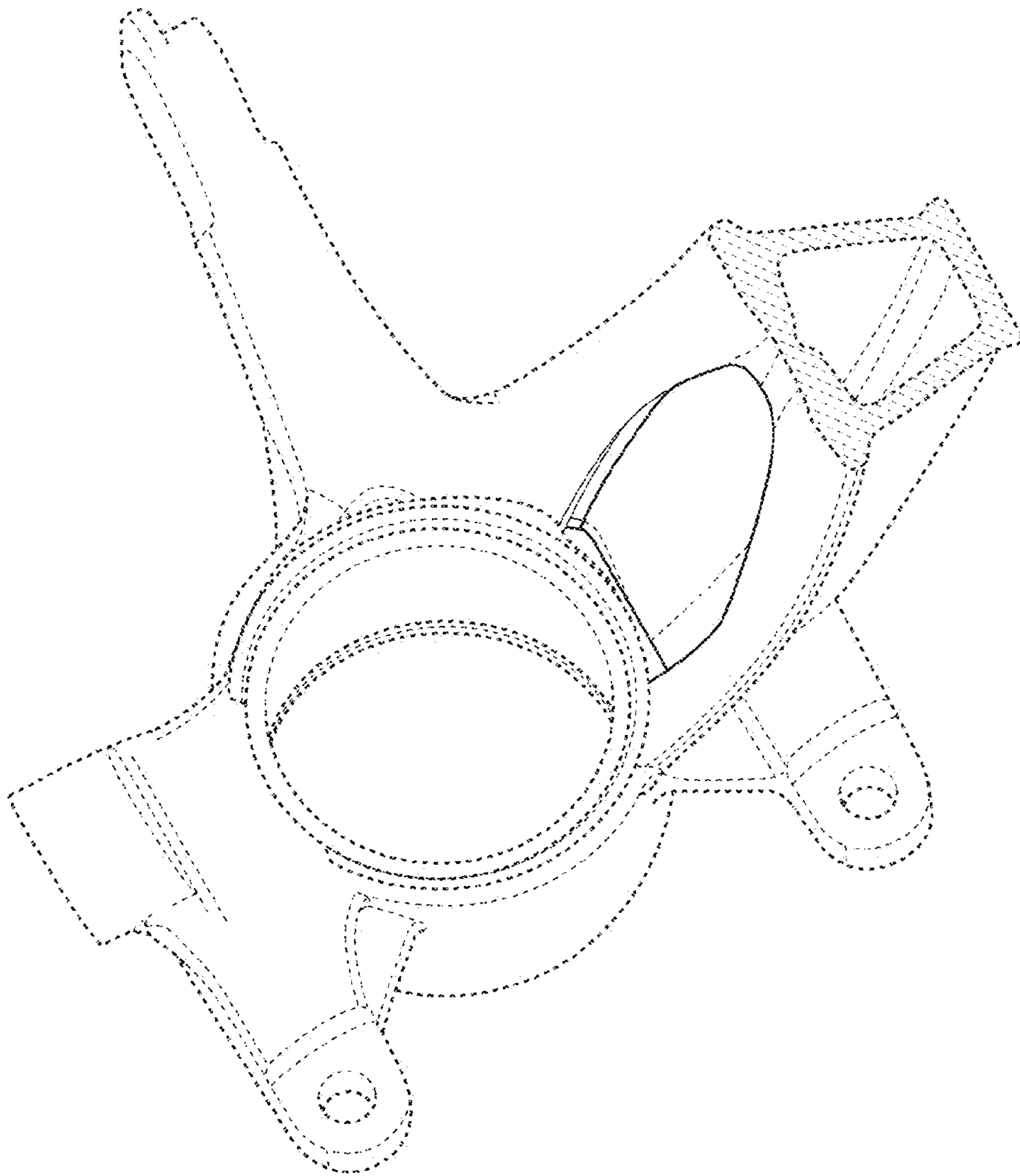


FIG. 6



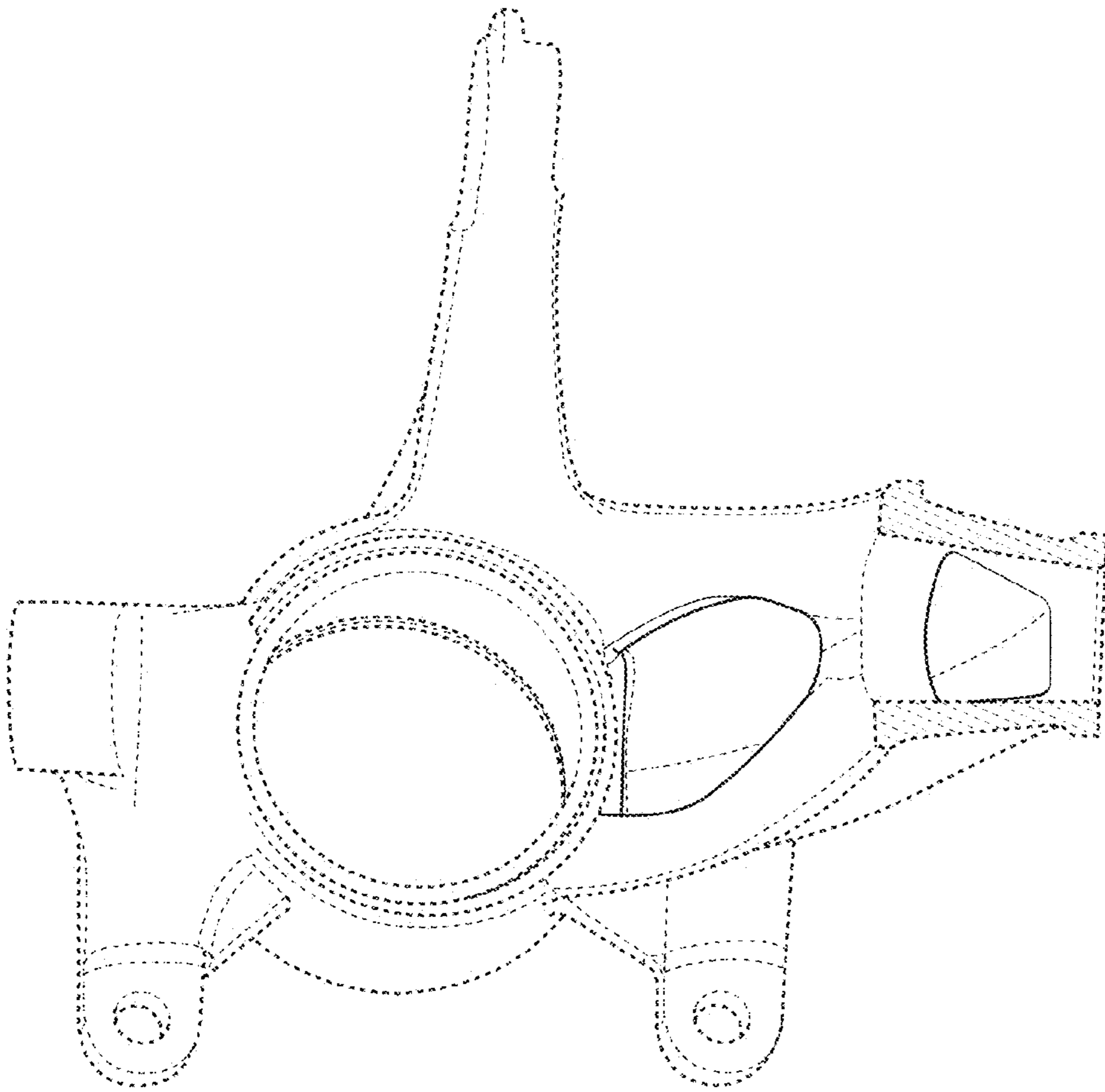


FIG. 7

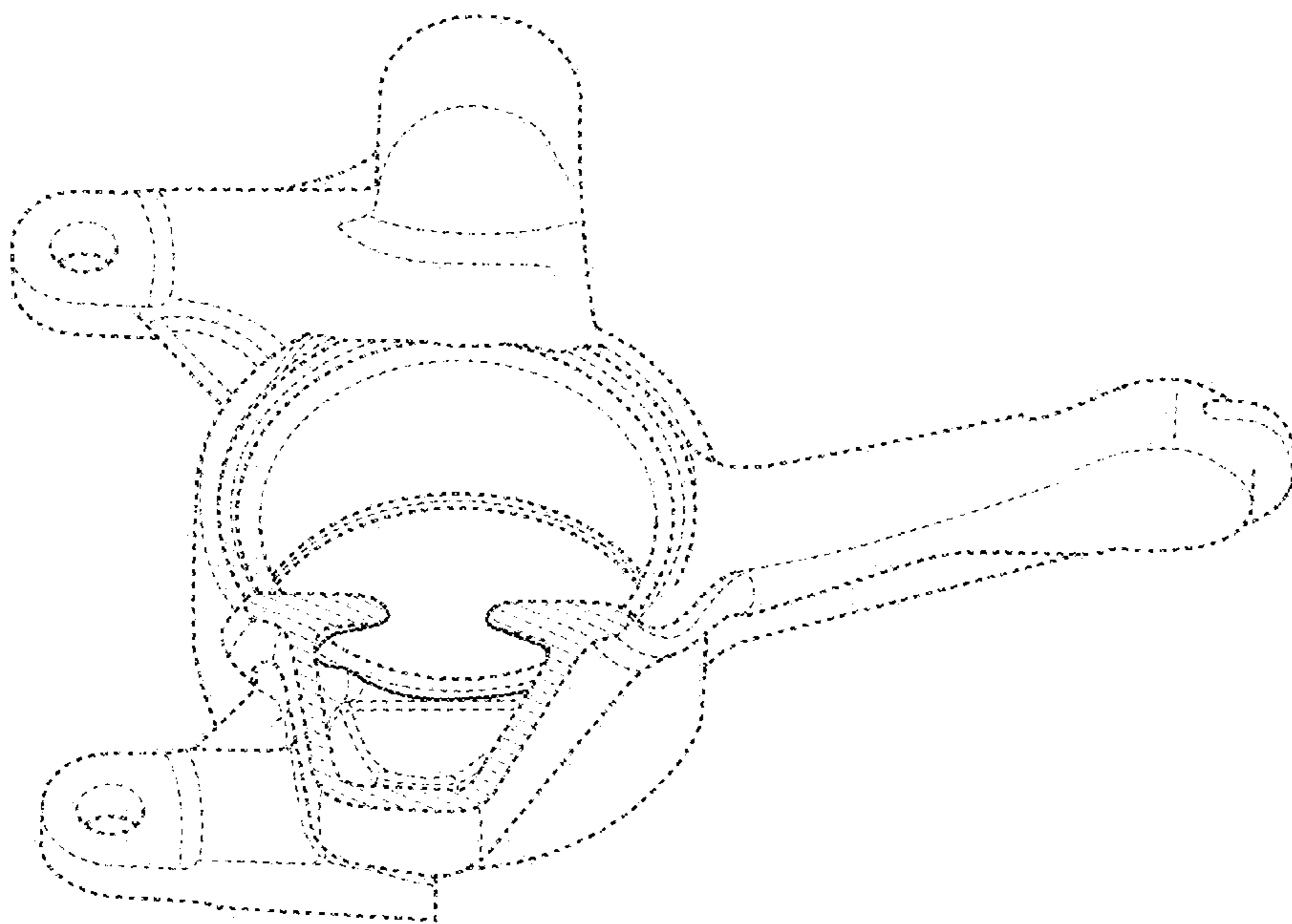


FIG. 8

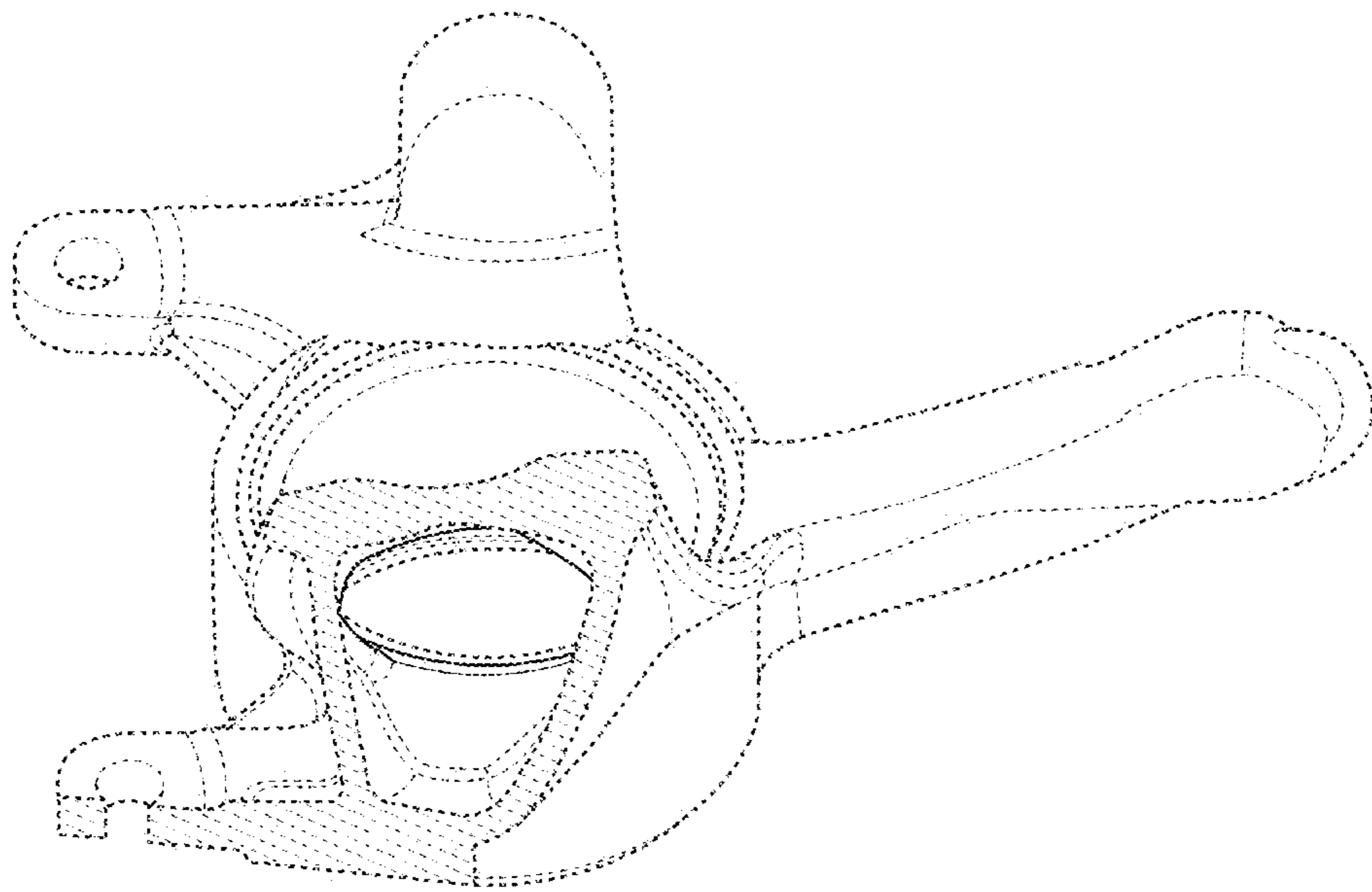


FIG. 9

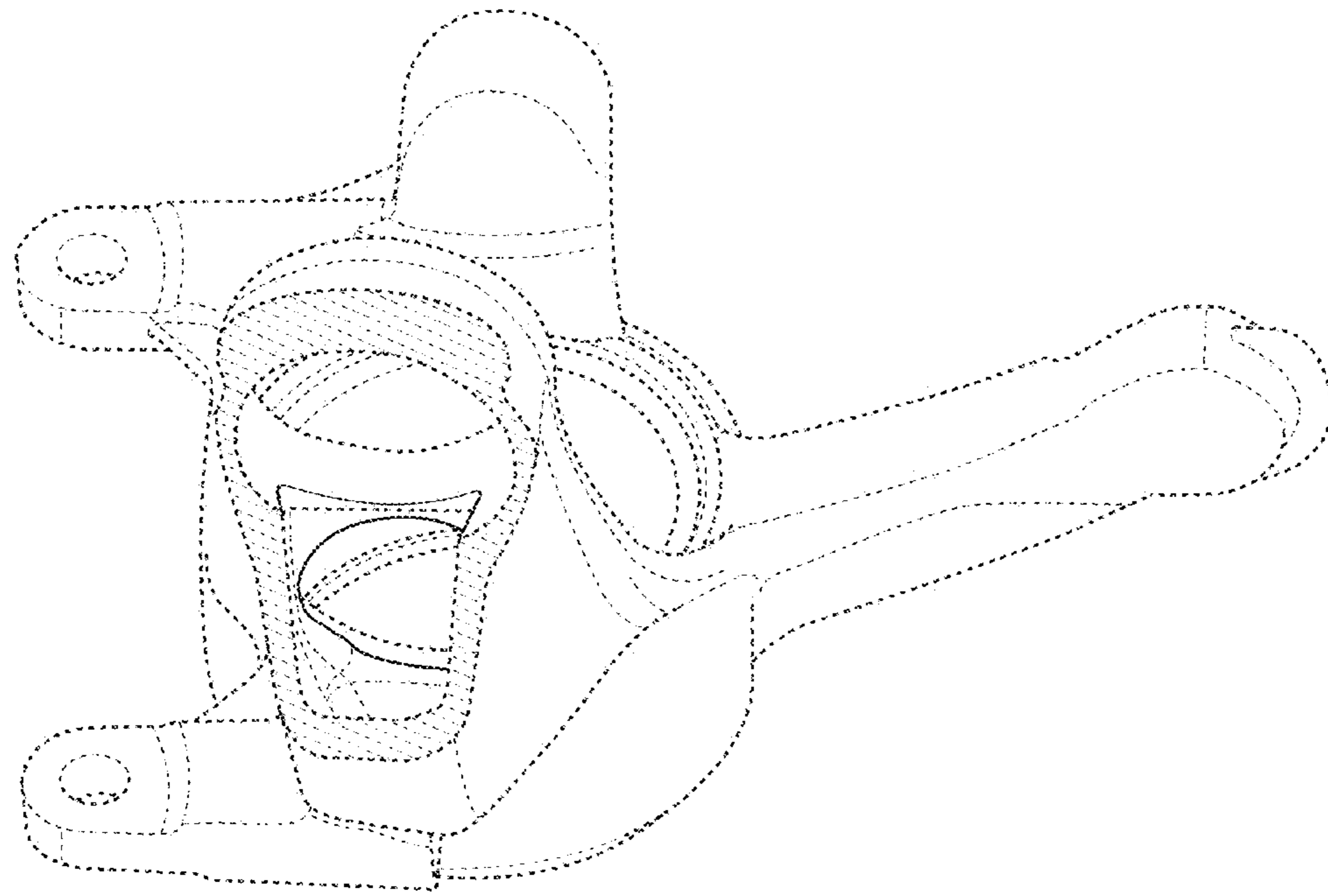


FIG. 10

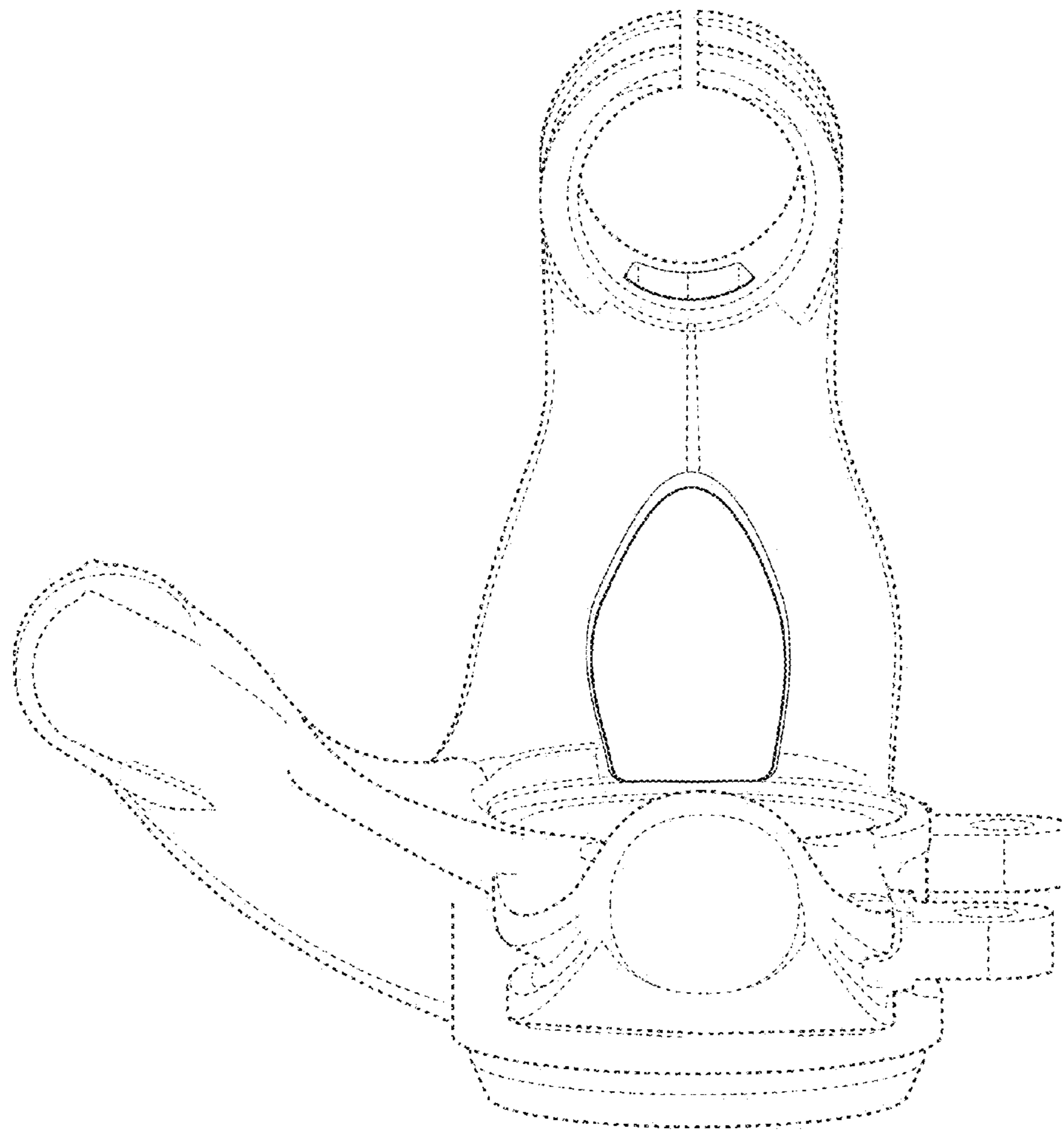


FIG. 11



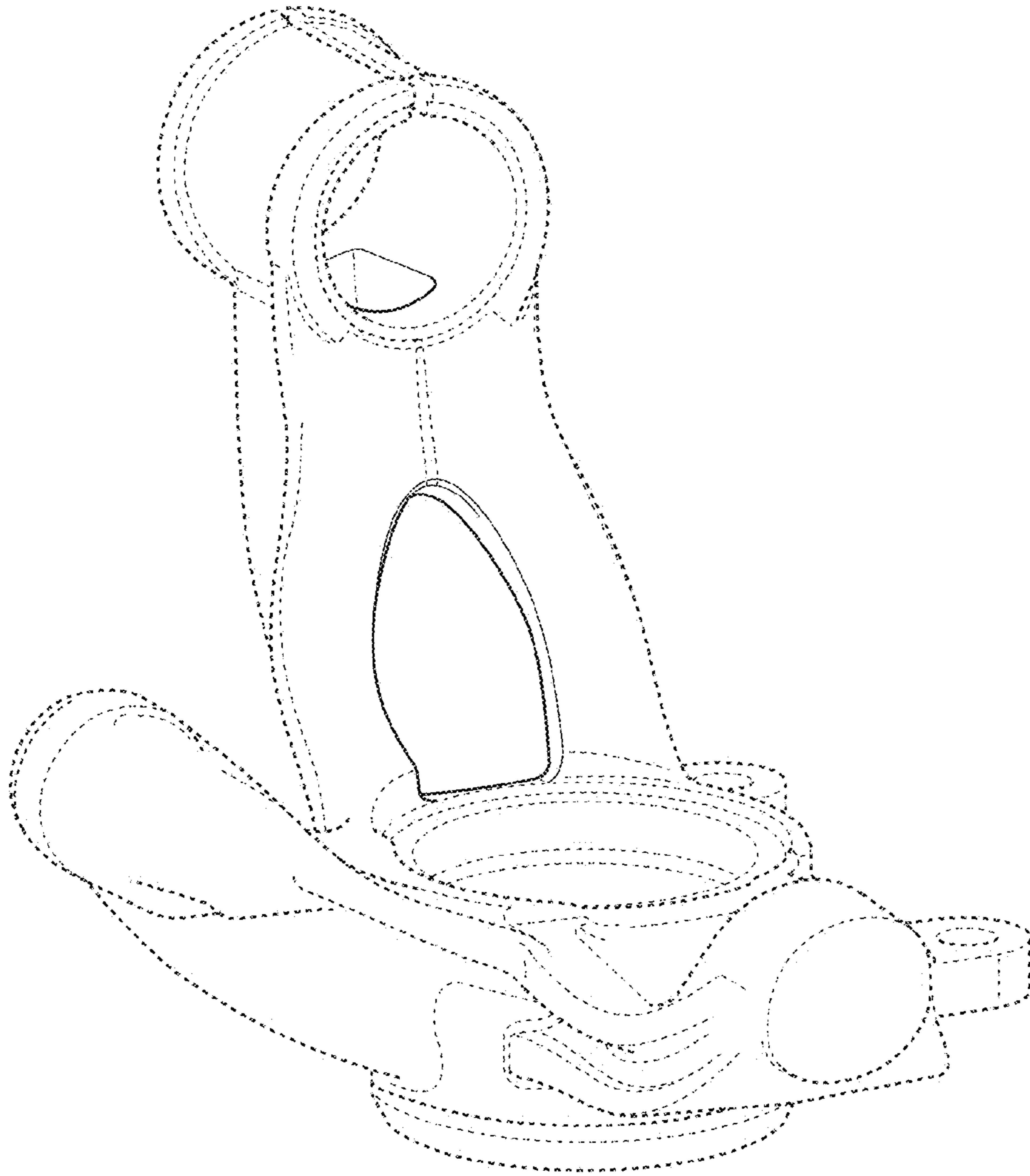


FIG. 12

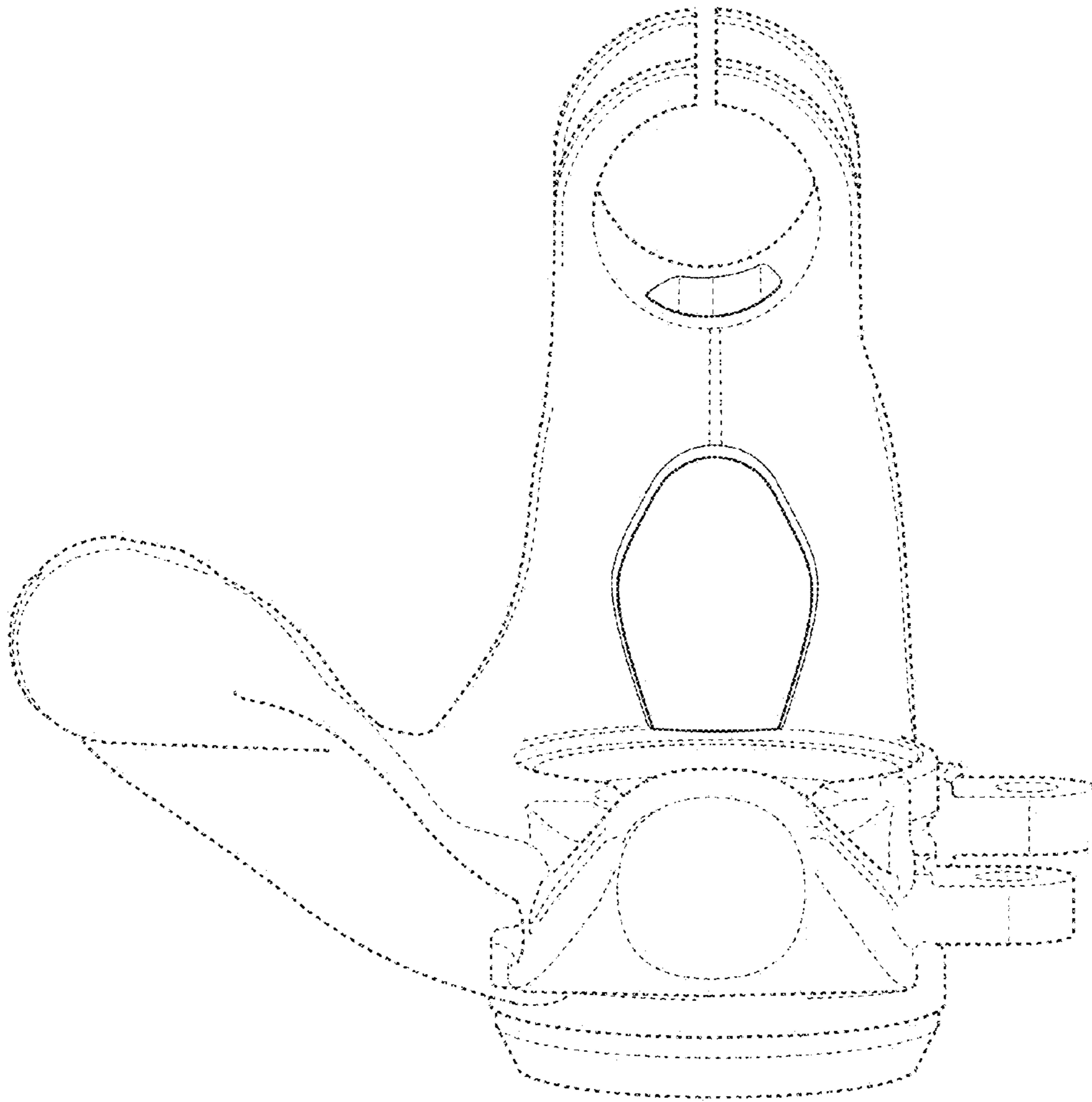


FIG. 13

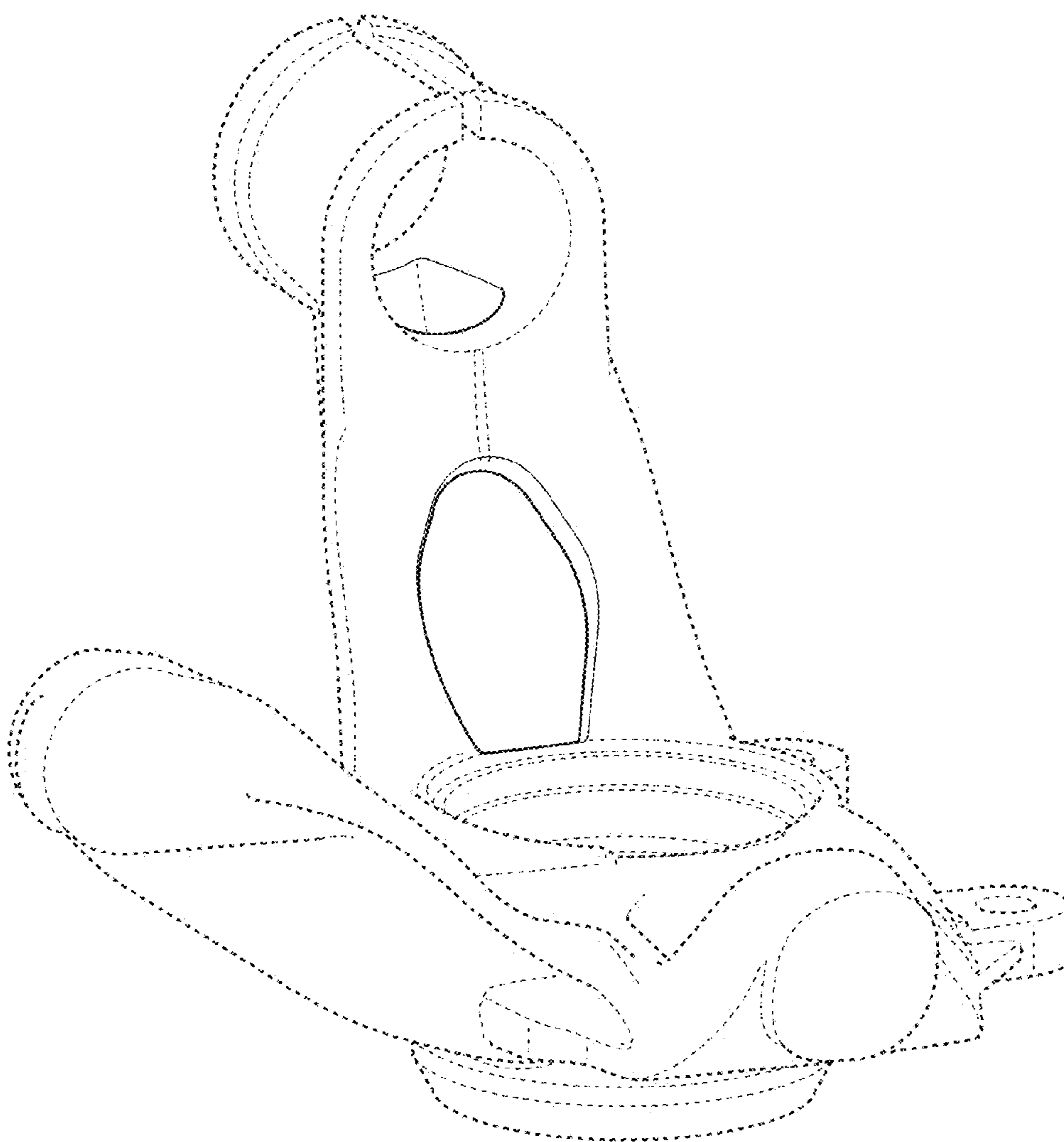


FIG. 14

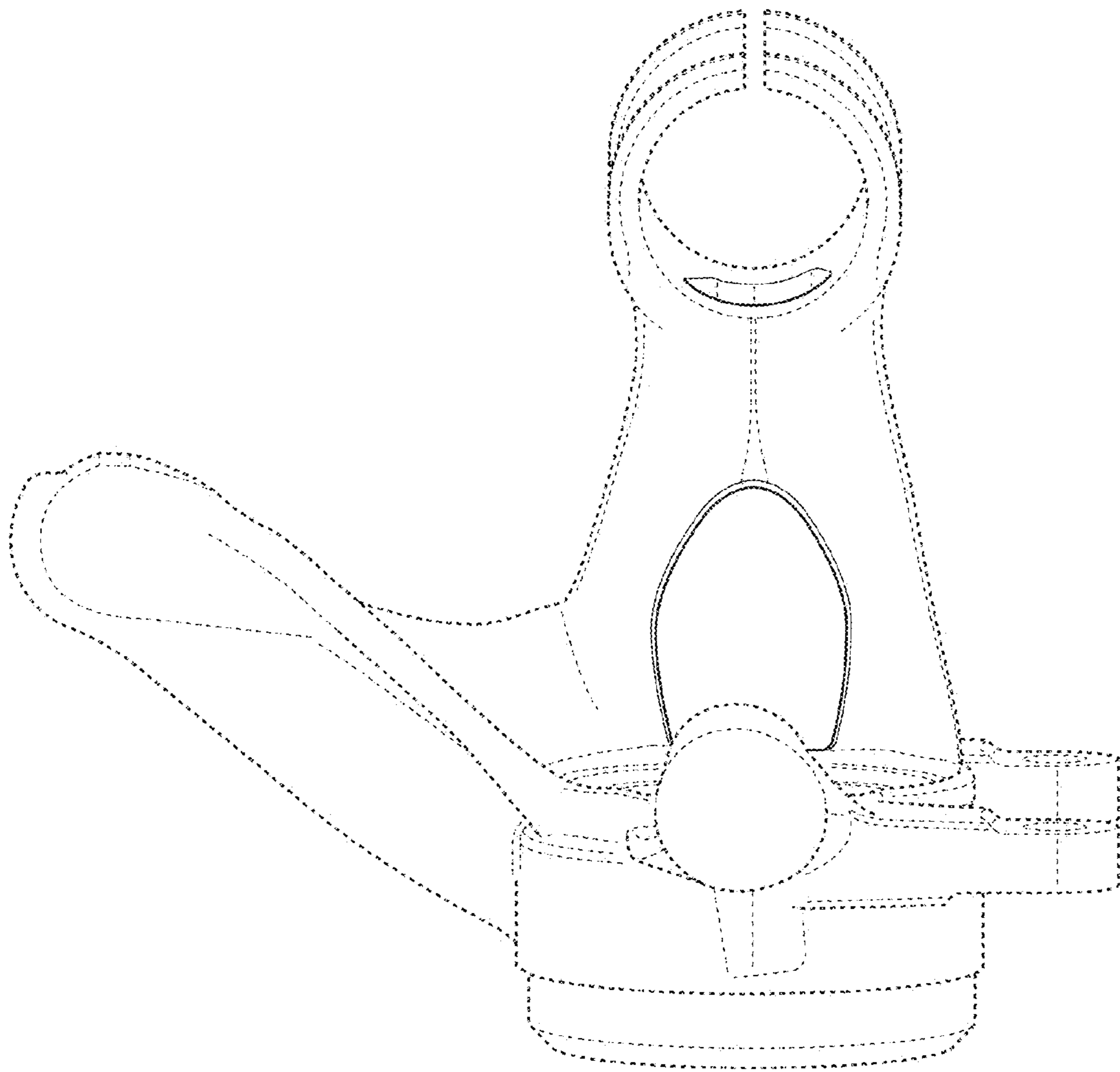


FIG. 15

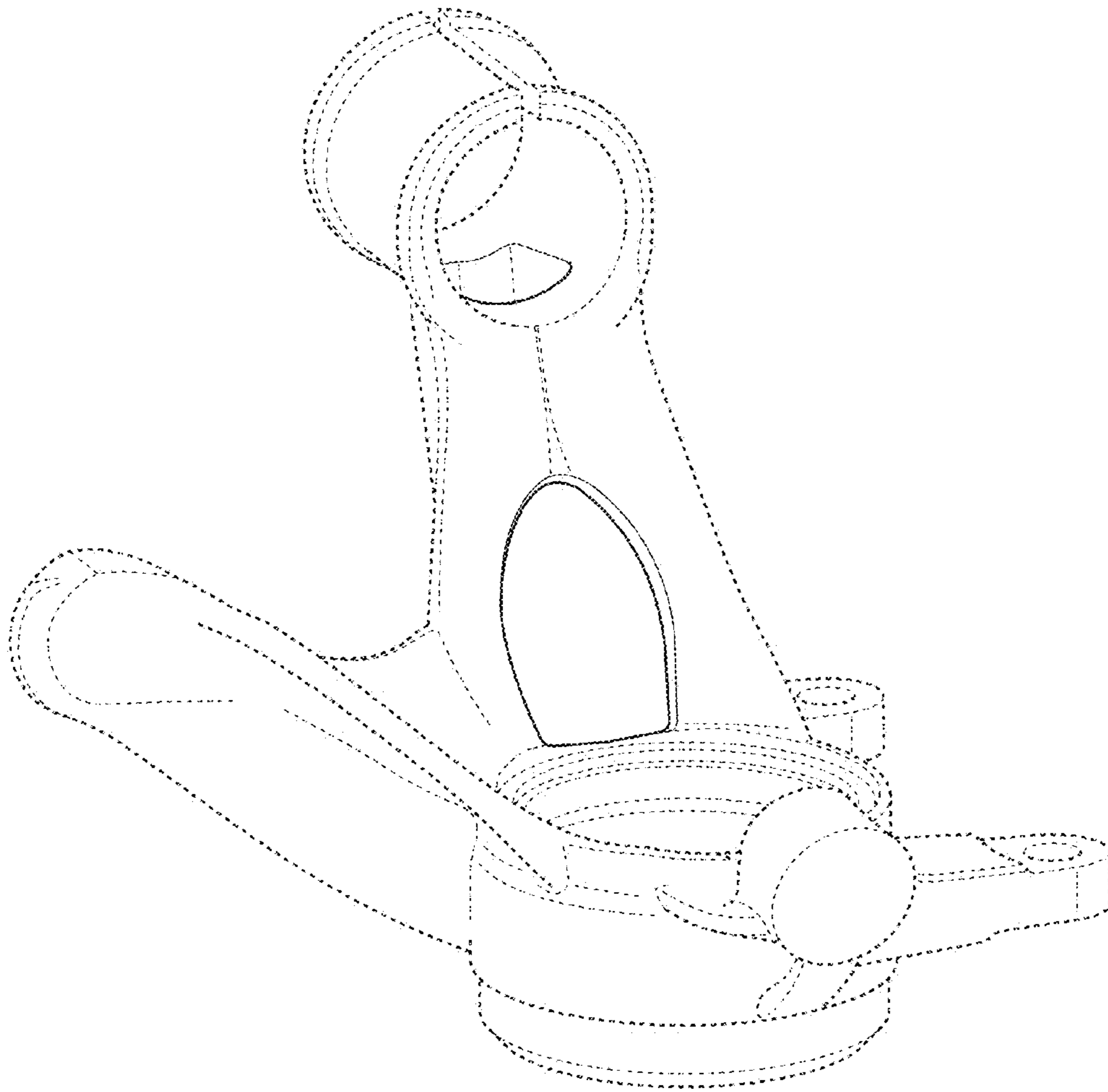


FIG. 16



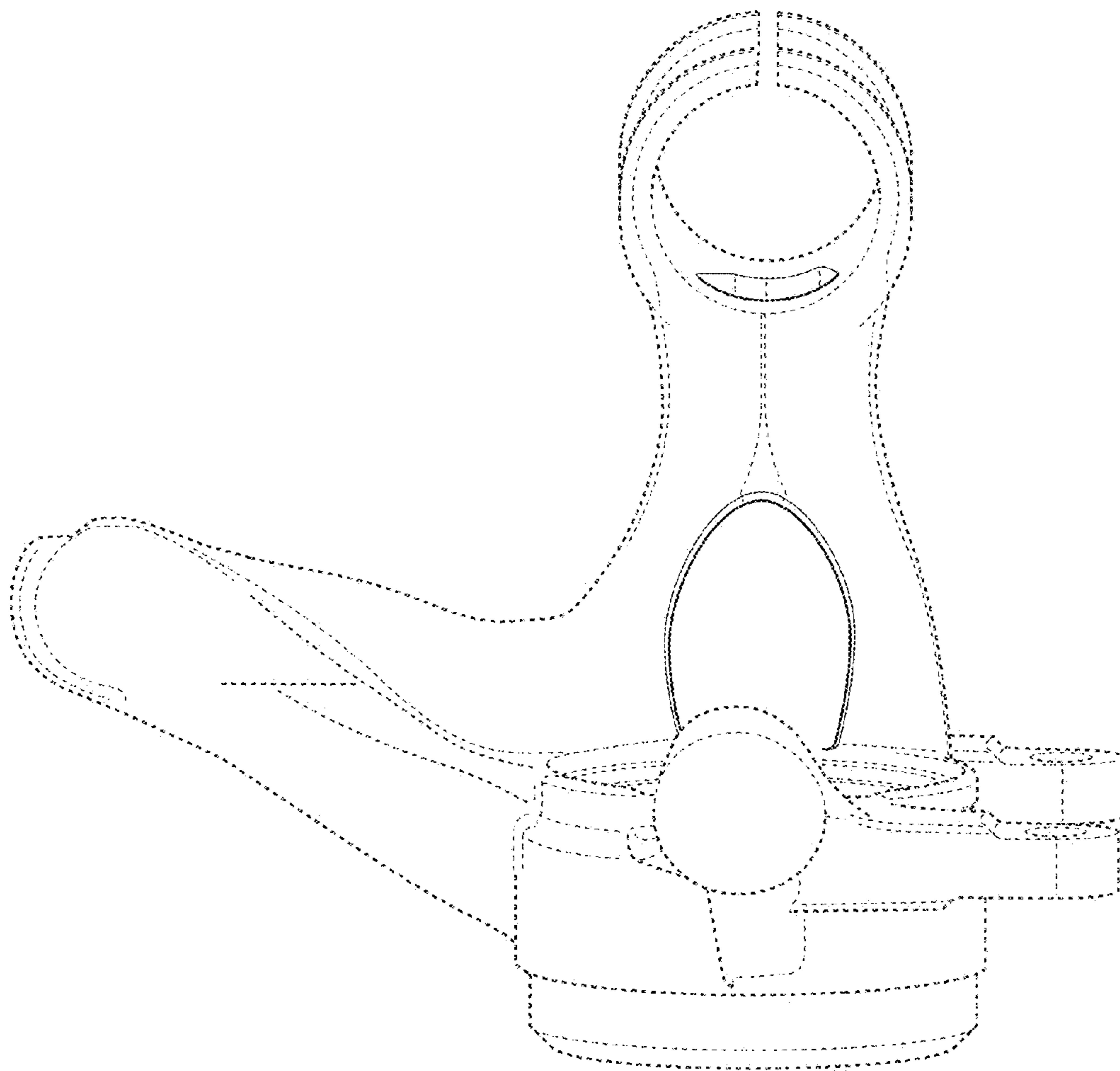
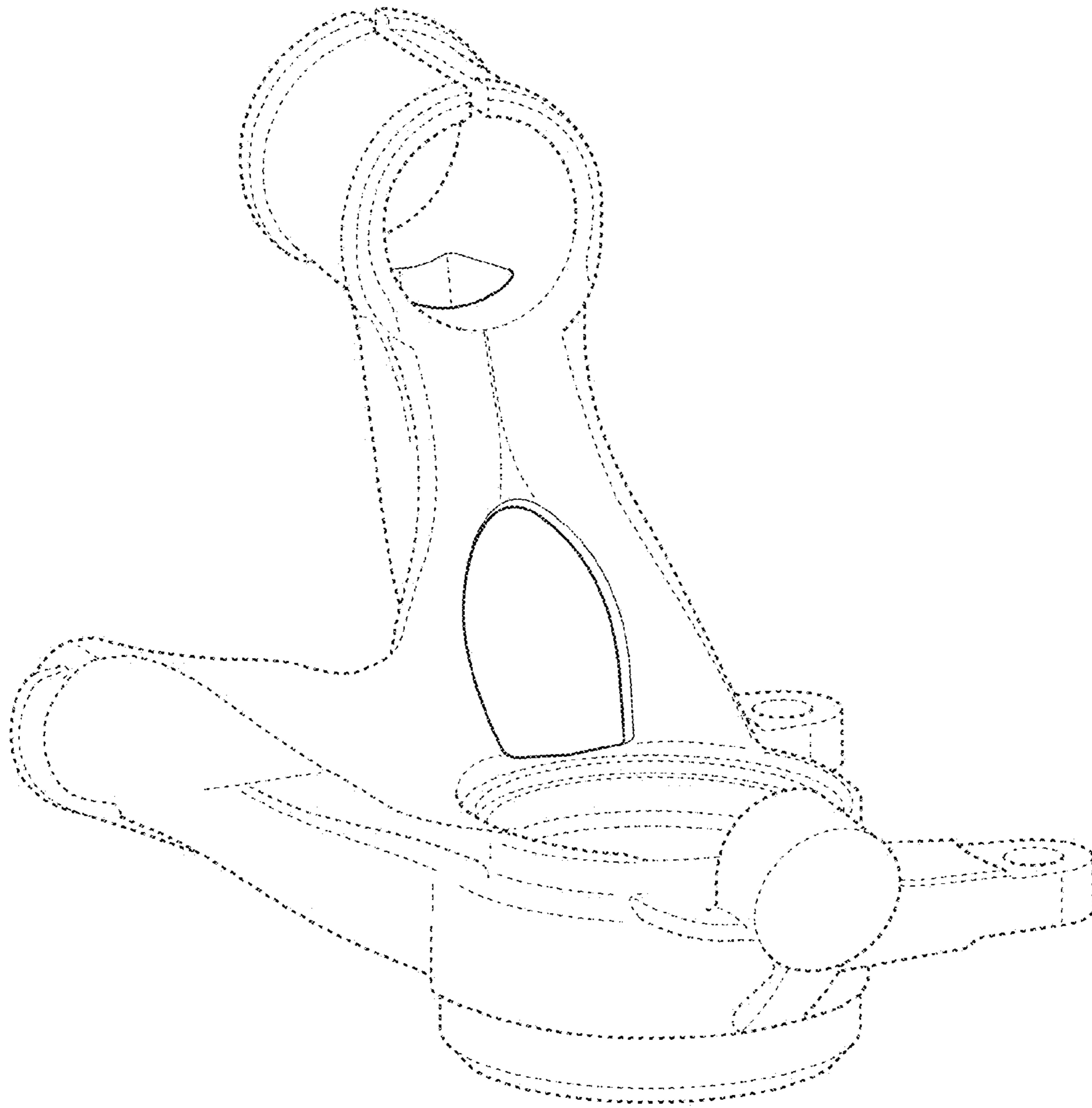


FIG. 17



**FIG. 18**