



US00D764354S

(12) **United States Design Patent**
Riquer-Gonzalez-Cosio

(10) **Patent No.:** **US D764,354 S**

(45) **Date of Patent:** **** Aug. 23, 2016**

(54) **PLEGABLE SCREEN FOR TRUCK**

FOREIGN PATENT DOCUMENTS

(71) Applicant: **Cristian Riquer-Gonzalez-Cosio**,
Mexico City (MX)

CN 203026096 U 6/2013
CN 203397664 U 1/2014
GB 2455323 A 6/2009
WO 2008/071056 A1 6/2008

(72) Inventor: **Cristian Riquer-Gonzalez-Cosio**,
Mexico City (MX)

* cited by examiner

(**) Term: **14 Years**

Primary Examiner — Katrina A Betton

(21) Appl. No.: **29/515,293**

(74) *Attorney, Agent, or Firm* — Sughrue Mion, PLLC

(22) Filed: **Jan. 21, 2015**

(30) **Foreign Application Priority Data**

Oct. 30, 2014 (MX) MX/f/2014/003331

(51) **LOC (10) Cl.** **12-10**

(52) **U.S. Cl.**
USPC **D12/106**

(58) **Field of Classification Search**
USPC D12/401–414; D6/610–611
CPC B60R 9/00–9/08; B60R 9/042; B60R 9/12
See application file for complete search history.

(56) **References Cited**

U.S. PATENT DOCUMENTS

4,110,792 A 8/1978 Long et al.
4,606,570 A * 8/1986 Neumann B60P 3/426
105/243
5,326,156 A * 7/1994 Heider B60P 1/56
280/789
7,795,837 B1 * 9/2010 Haun H01M 10/441
136/244
8,186,745 B2 * 5/2012 Graham B62D 35/001
180/903
8,573,680 B2 * 11/2013 Smith B62D 35/001
296/181.5
D716,701 S * 11/2014 Beelman, III D12/106
2008/0265617 A1 * 10/2008 Davidson B60P 3/341
296/173
2009/0085394 A1 * 4/2009 Lemmons B60P 1/56
298/27

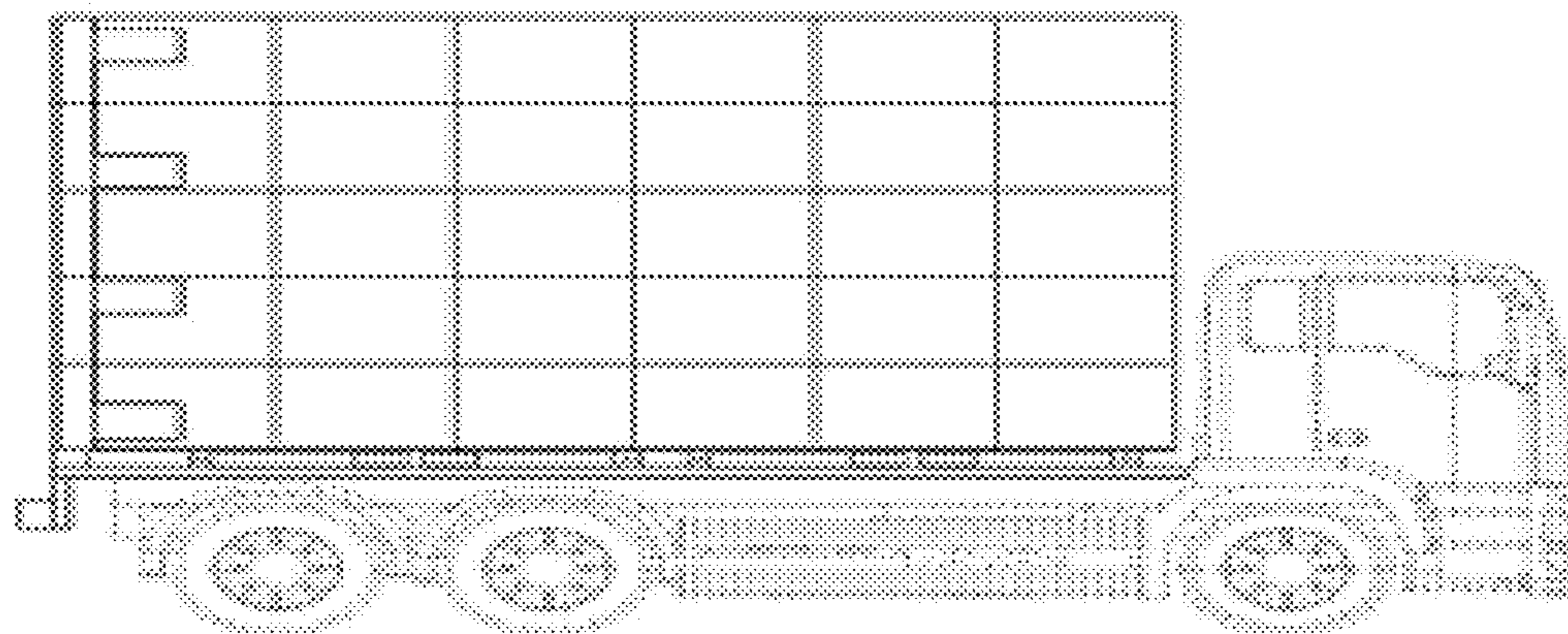
(57) **CLAIM**

The ornamental design for a plegable screen for truck, as shown and described.

DESCRIPTION

FIG. 1 is a top view of a plegable screen for truck showing my new design, with the screen in an extended position; FIG. 2 is a left front perspective view thereof; FIG. 3 is a front view thereof; FIG. 4 is a right side view thereof, the left side view being a mirror image of the right side view; FIG. 5 is a top view of the plegable screen for truck, with the screen in a folded position; FIG. 6 is a left front perspective view thereof; FIG. 7 is a front view thereof; FIG. 8 is a right side view thereof, the left side view being a mirror image of the right side view; FIG. 9 is a top view of the plegable screen for truck, with the screen in a partially extended position; FIG. 10 is a left front perspective view thereof; FIG. 11 is a front view thereof; and, FIG. 12 is a right side view thereof. The broken lines in the figures are for illustrative purposes only and form no part of the claimed design.

1 Claim, 6 Drawing Sheets



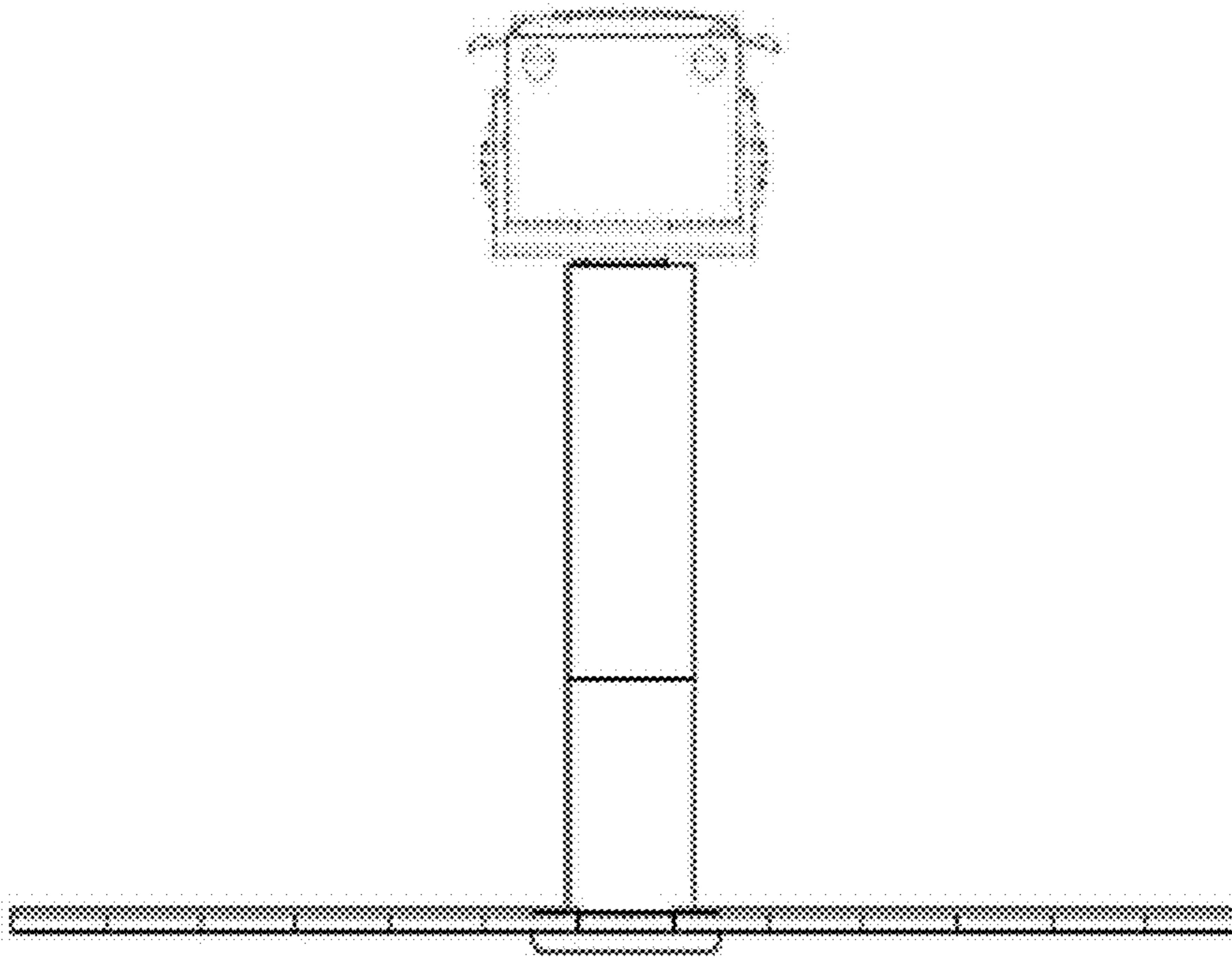


FIG. 1

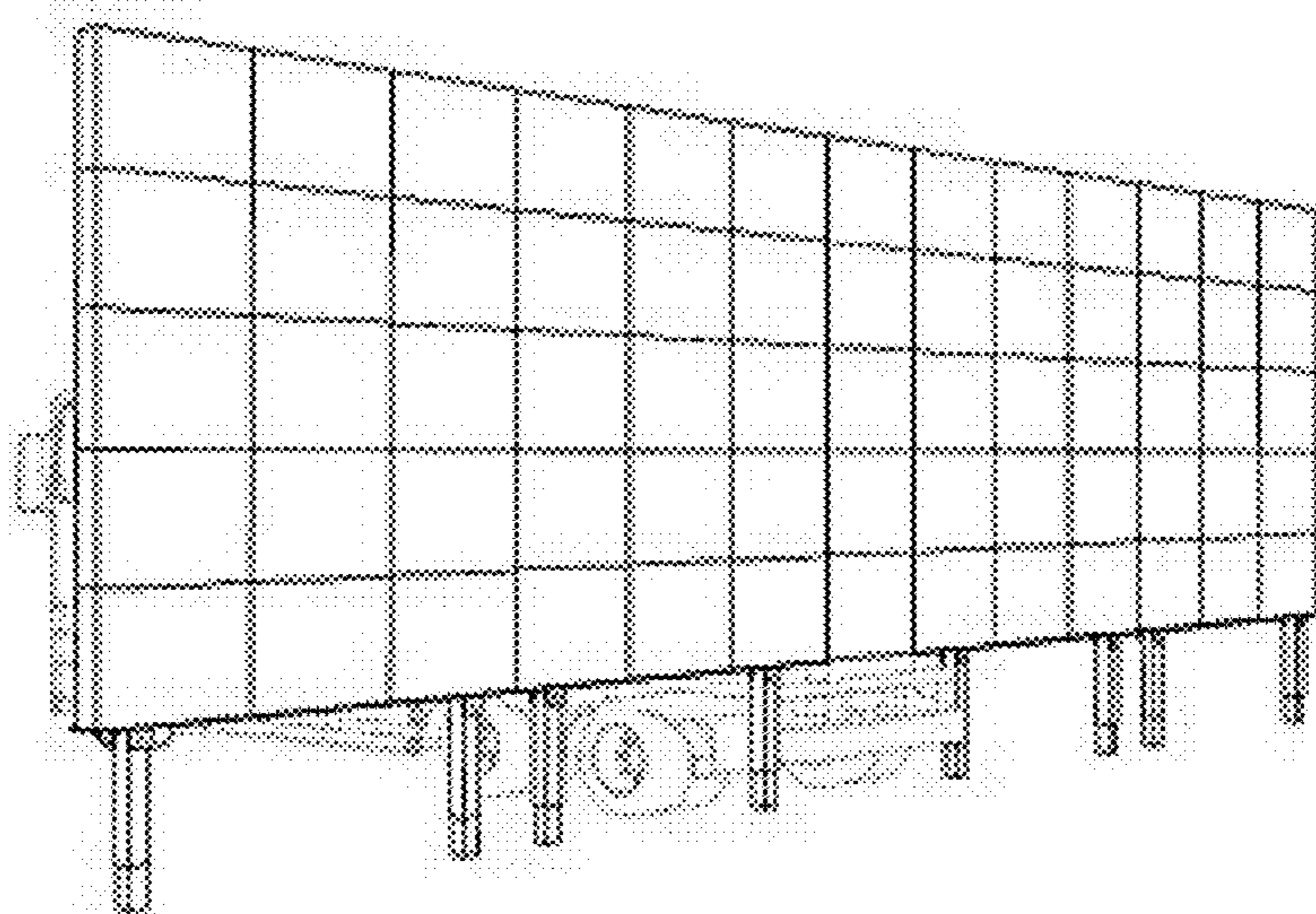


FIG. 2

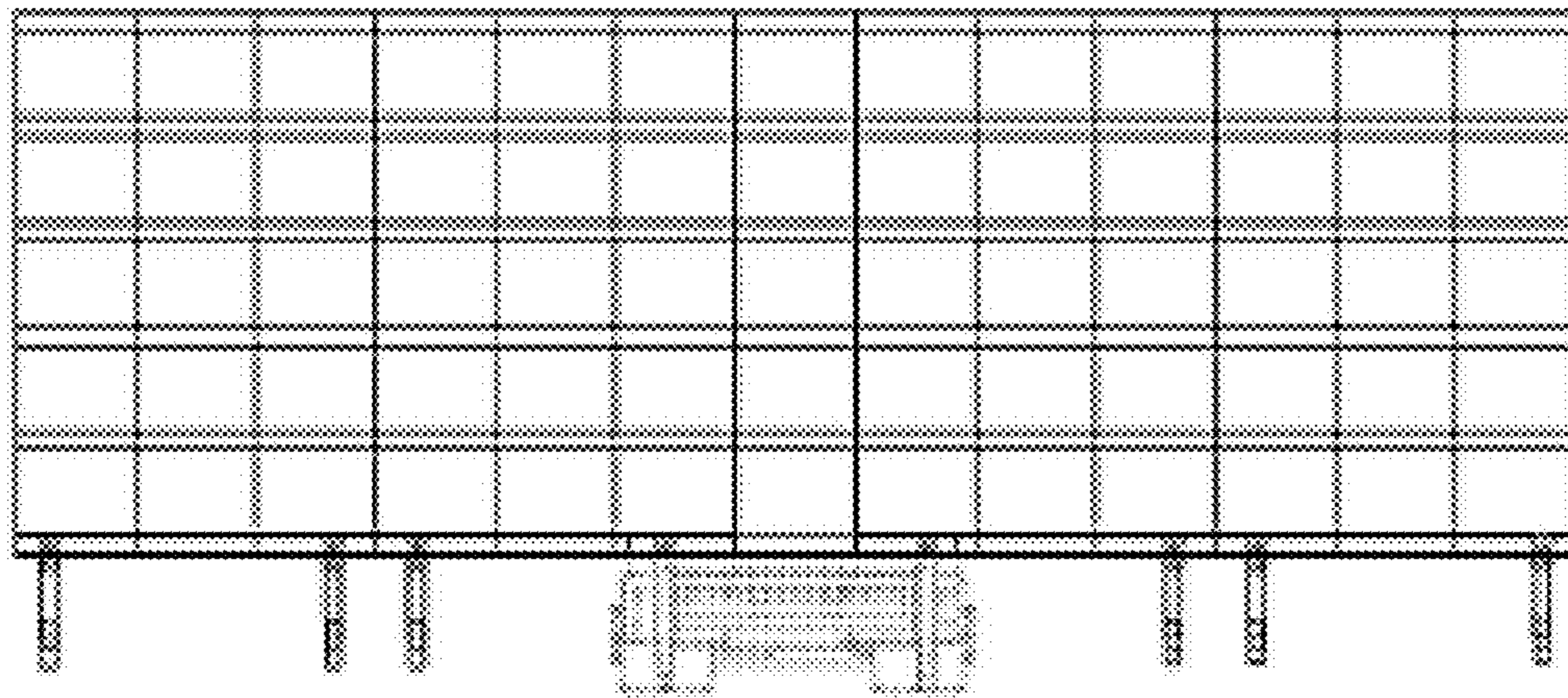


FIG. 3

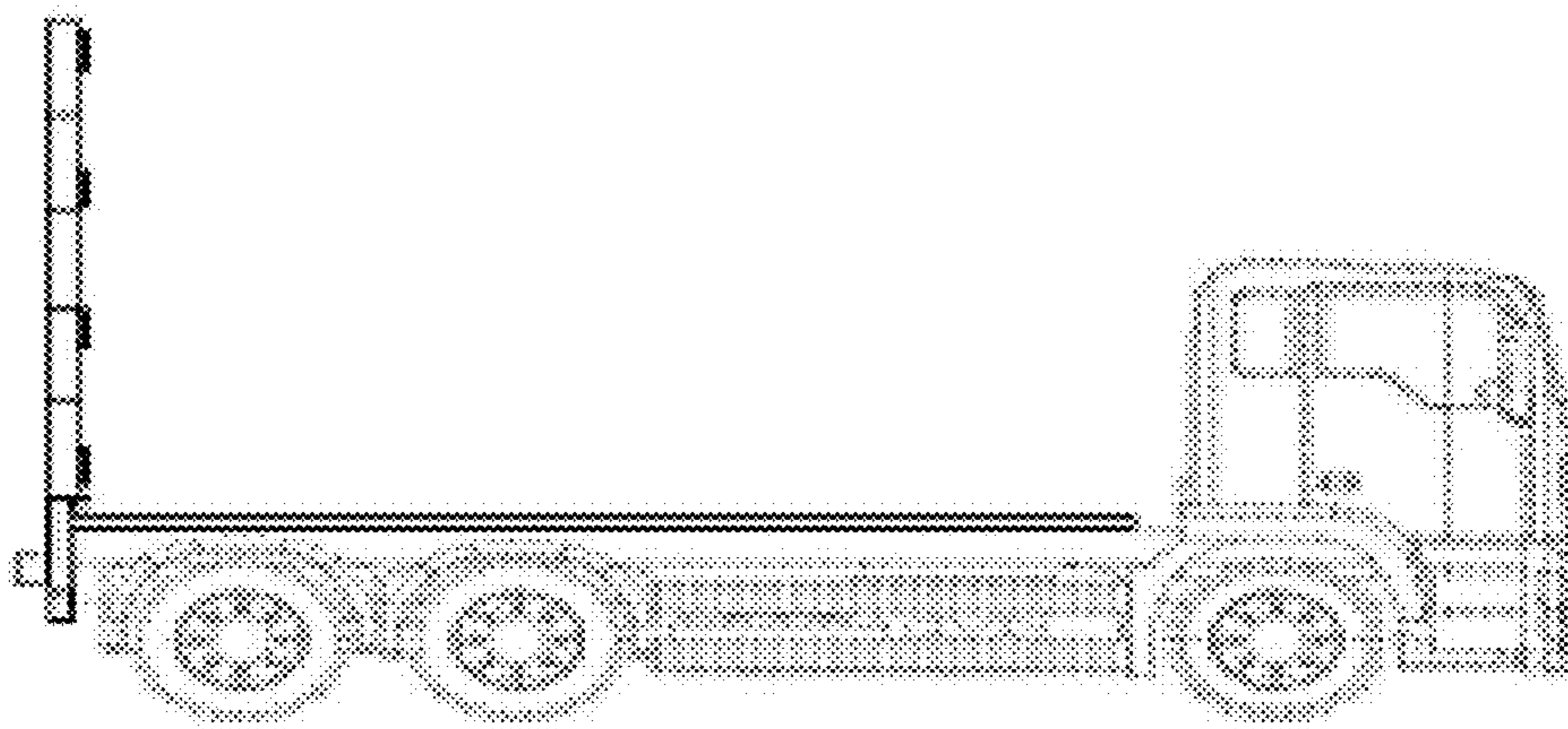


FIG. 4

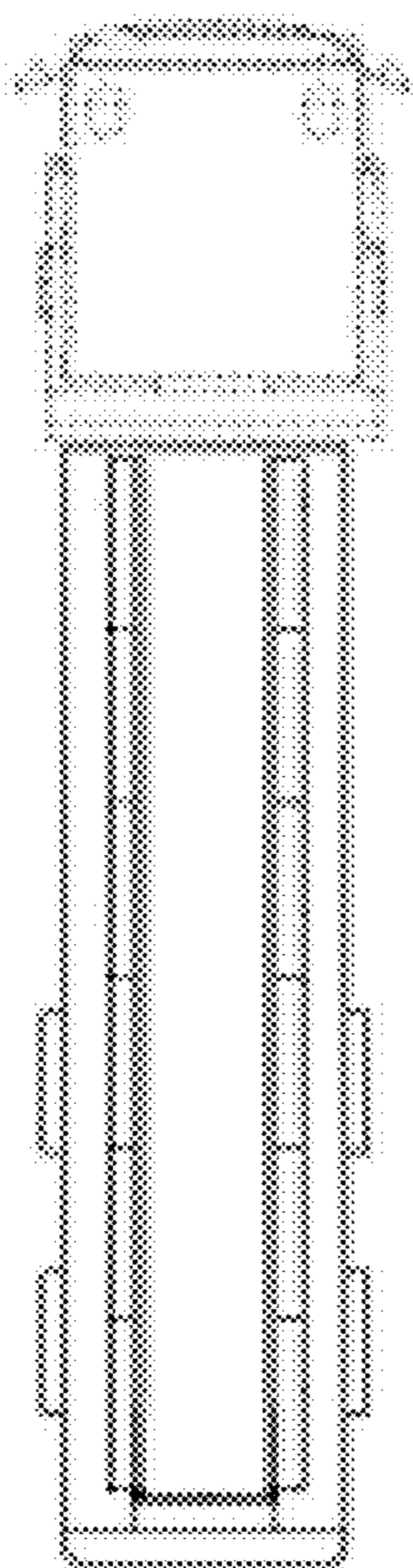


FIG. 5

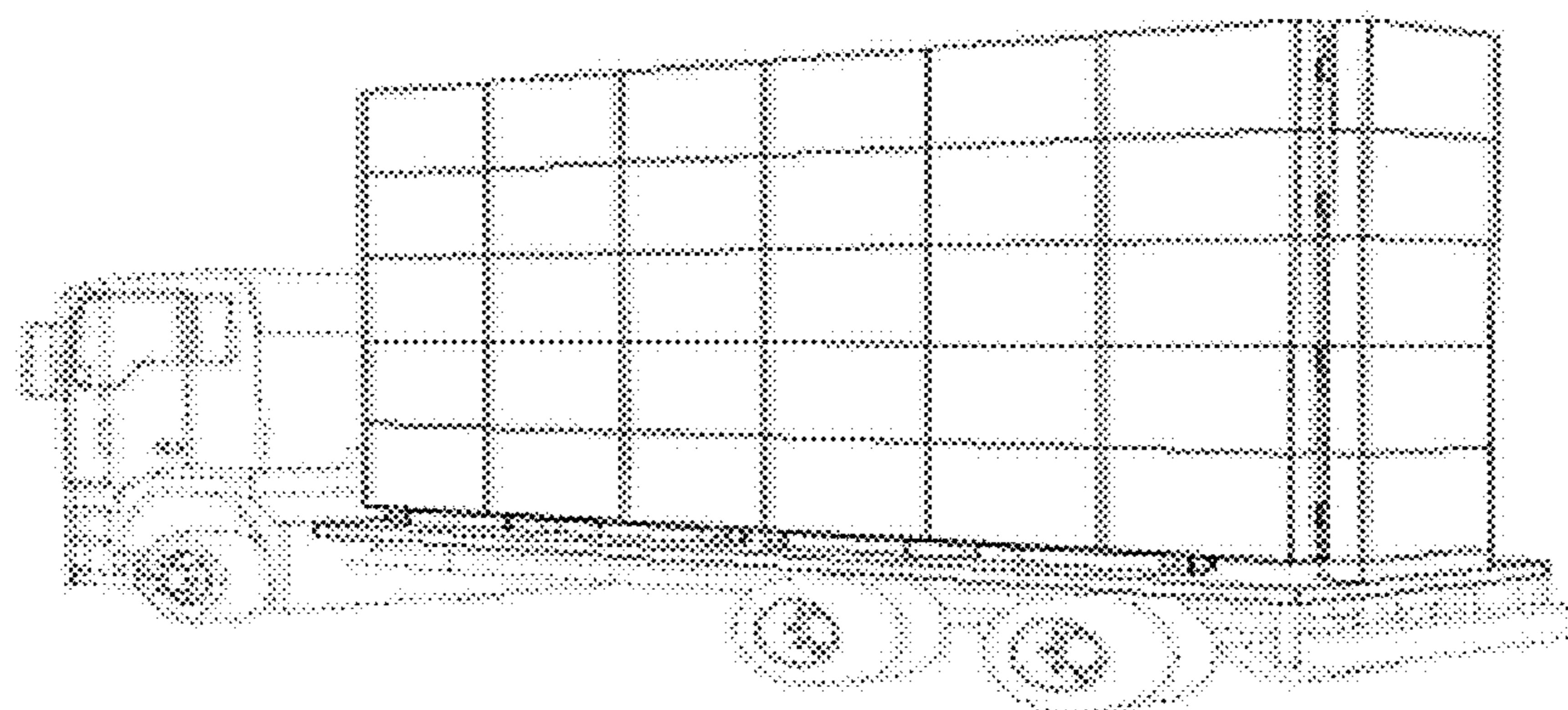


FIG. 6

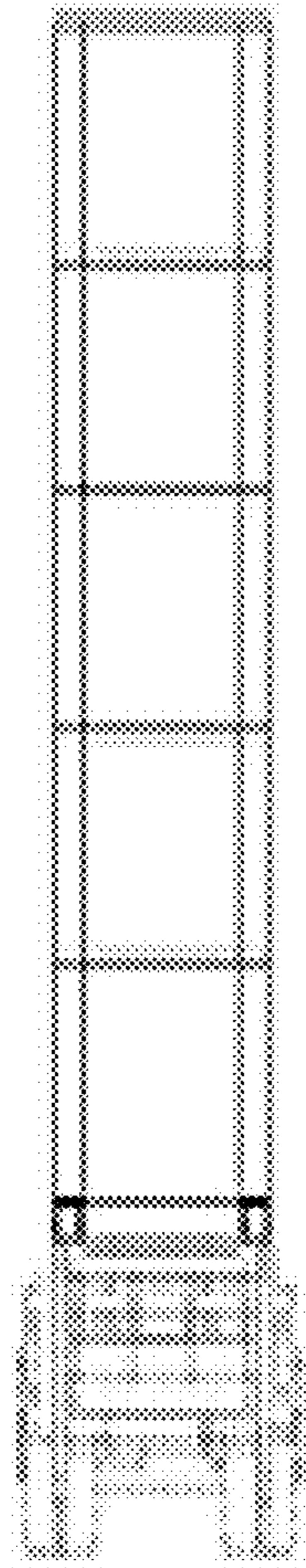


FIG. 7

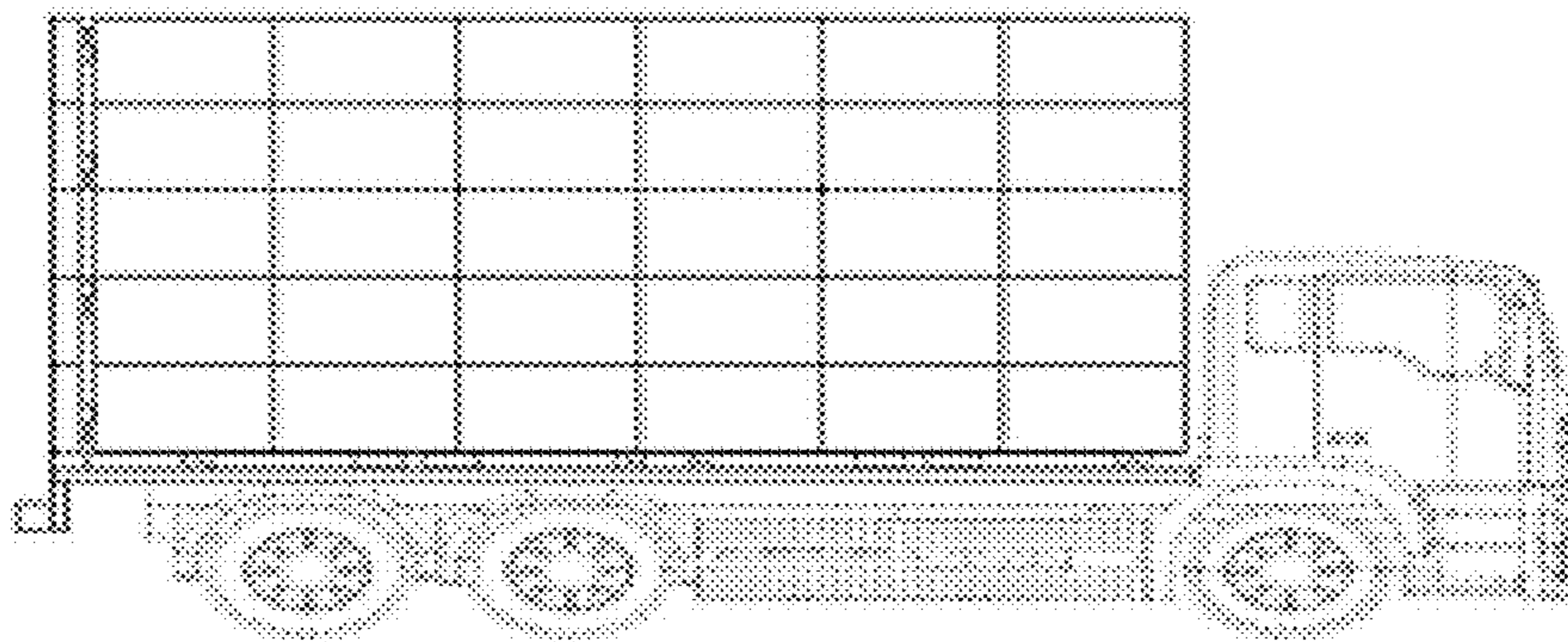


FIG. 8

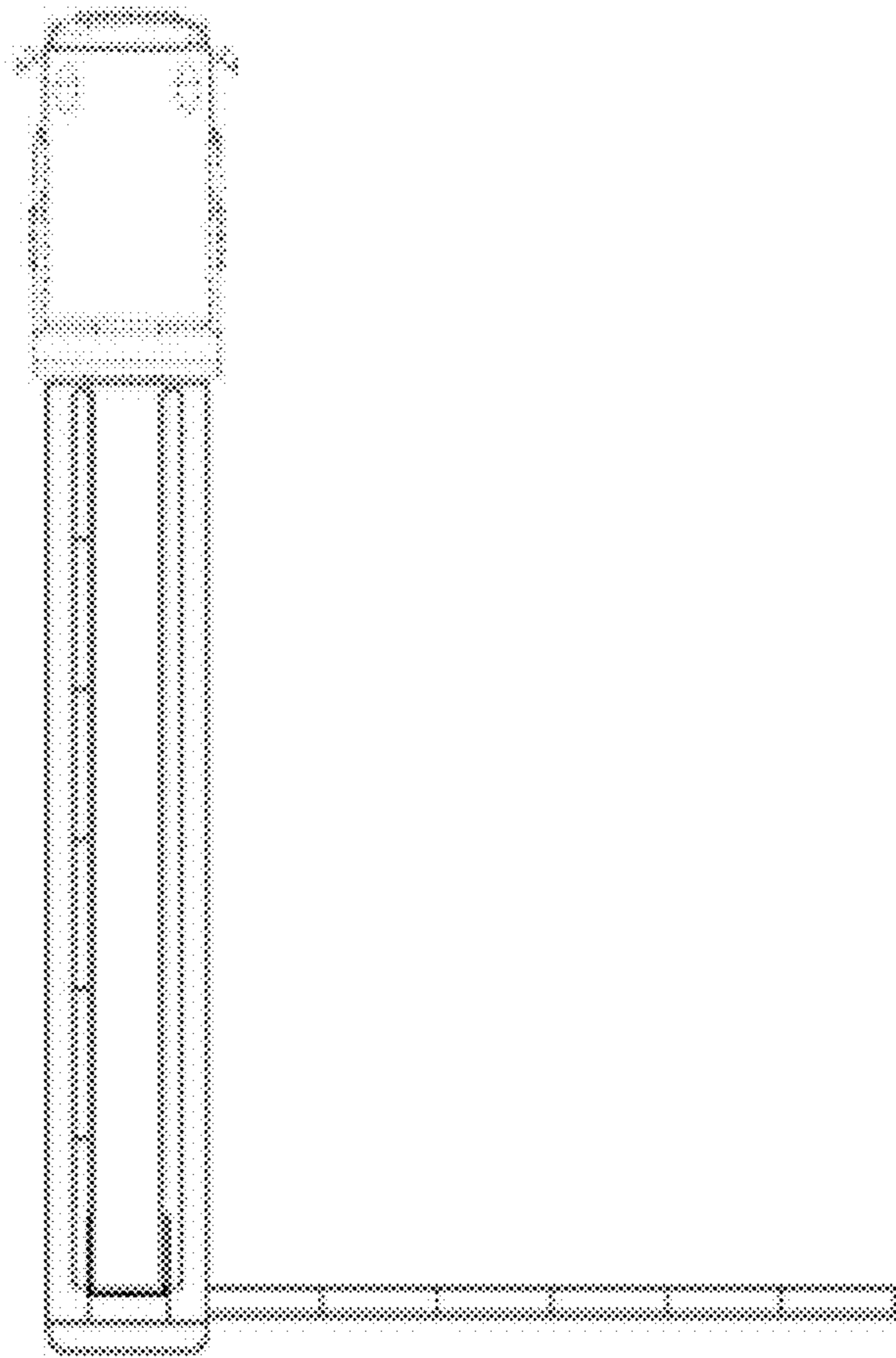


FIG. 9

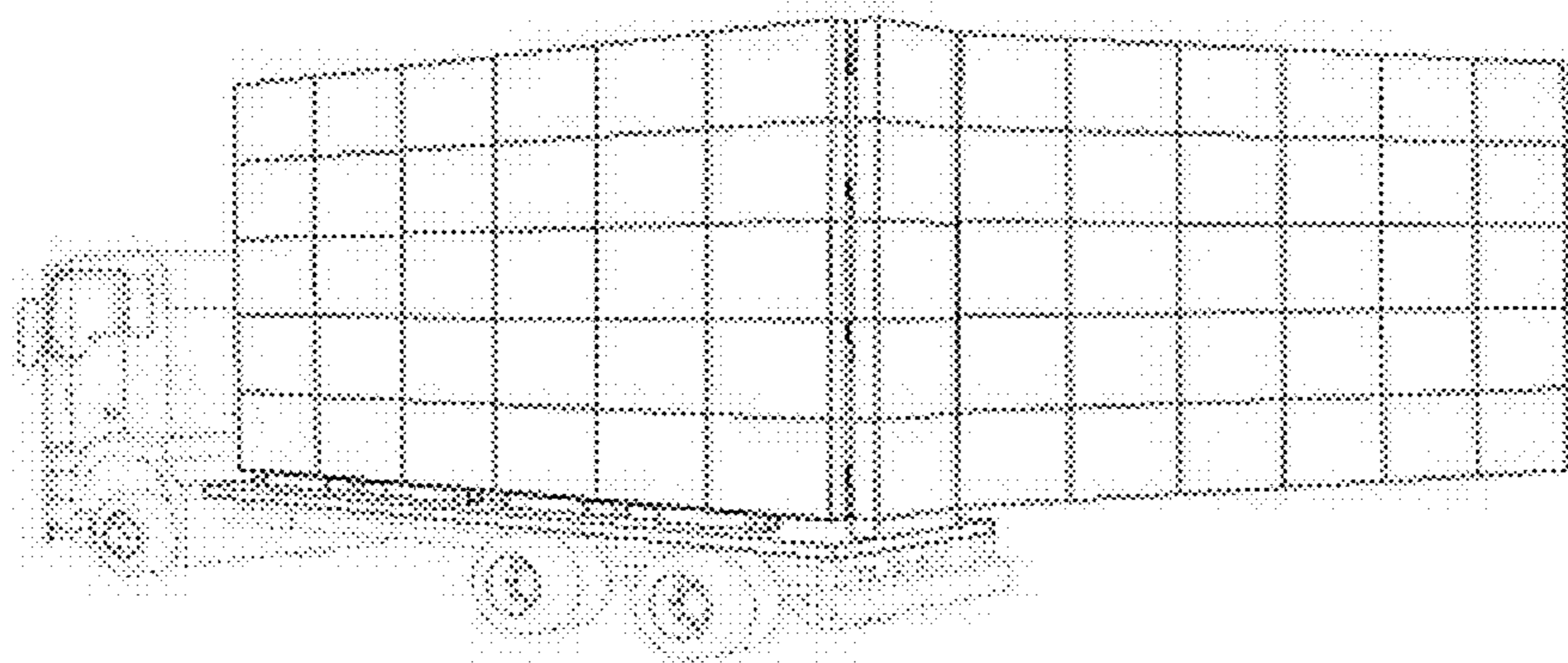


FIG. 10

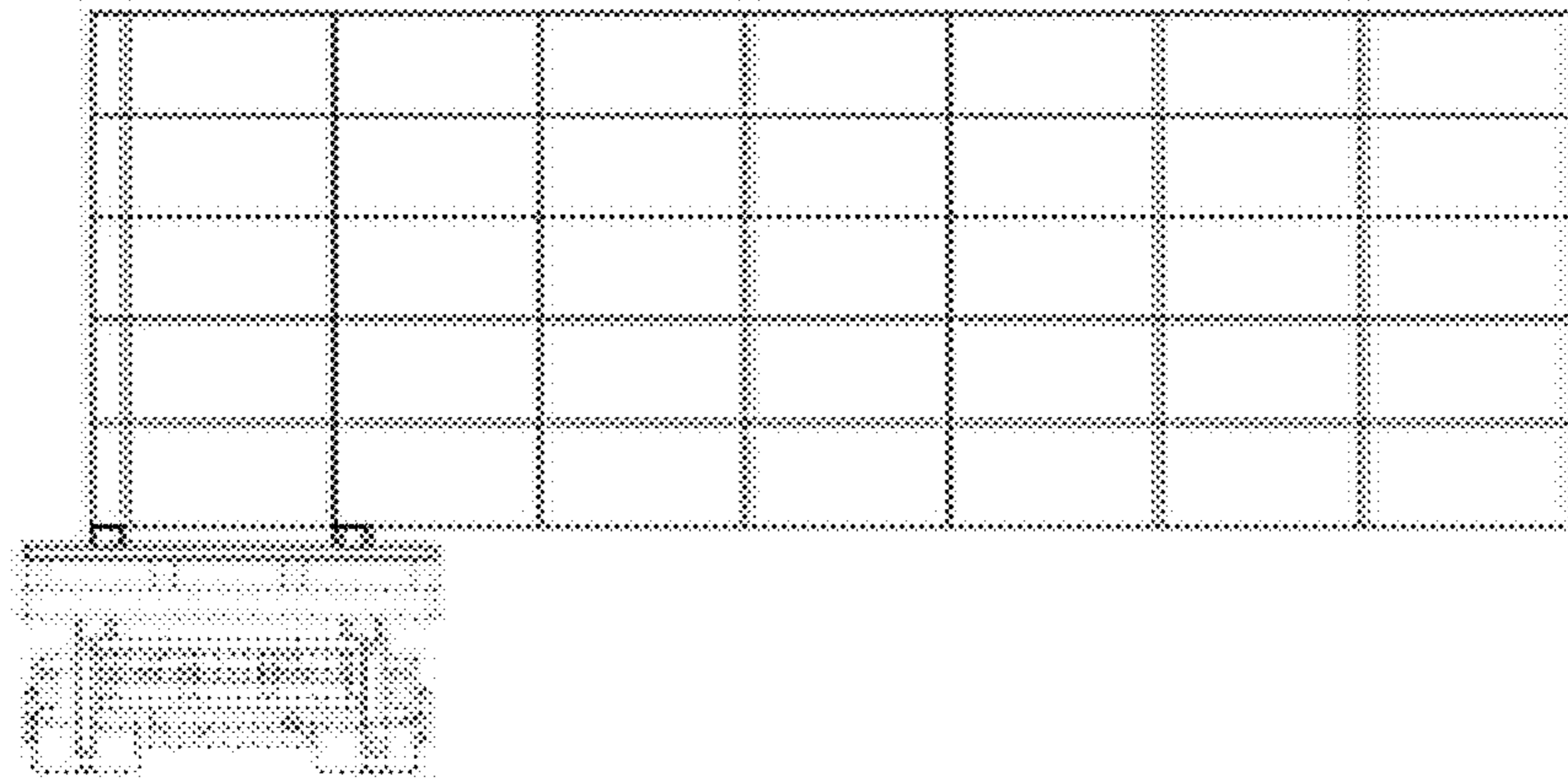


FIG. 11

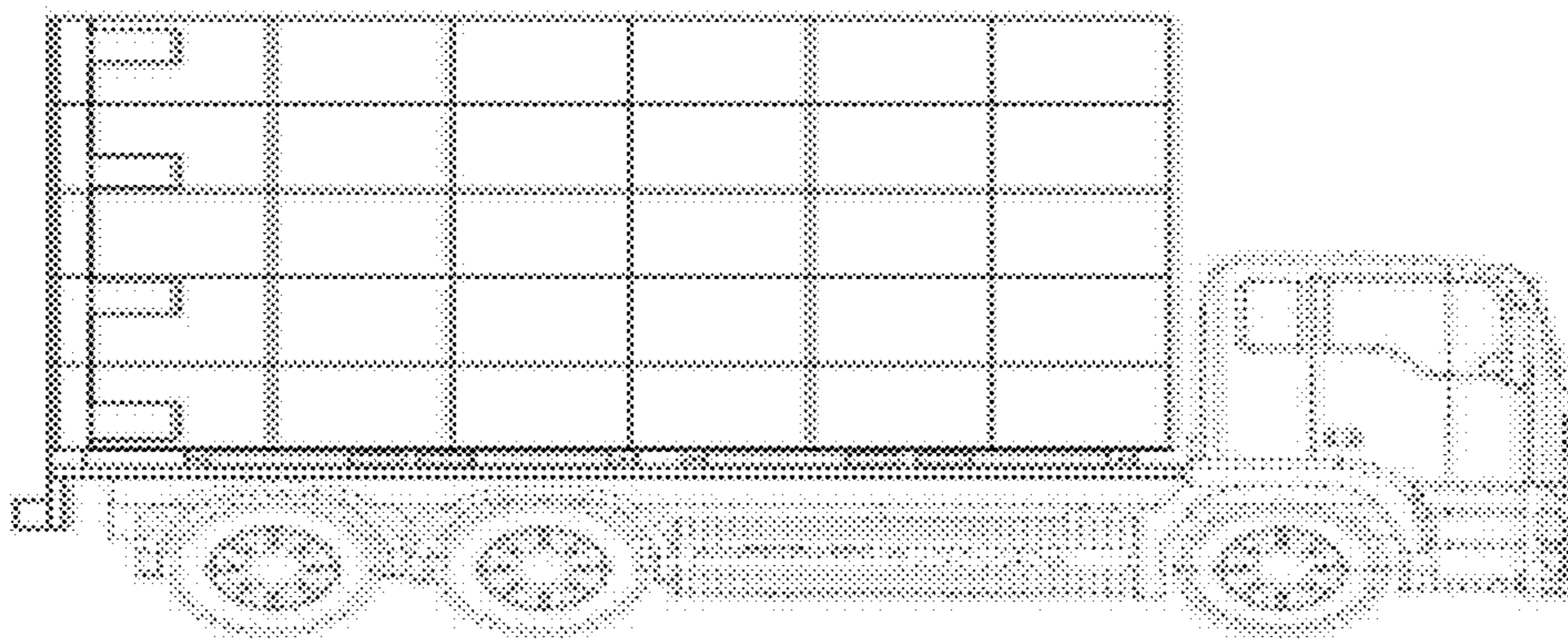


FIG. 12