

US00D764353S

(12) **United States Design Patent**  
**Lambert**

(10) **Patent No.:** **US D764,353 S**

(45) **Date of Patent:** **\*\* Aug. 23, 2016**

(54) **ADVERTISING BICYCLE TRAILER**

(71) Applicant: **Geoff Lambert**, Edmonton (CA)

(72) Inventor: **Geoff Lambert**, Edmonton (CA)

(\*\*) Term: **14 Years**

(21) Appl. No.: **29/521,228**

(22) Filed: **Mar. 20, 2015**

(51) **LOC (10) Cl.** ..... **12-10**

(52) **U.S. Cl.**  
USPC ..... **D12/101**

(58) **Field of Classification Search**

USPC ..... D12/100-106, 19, 129, 111-112;  
D21/425, 435; D34/21-26, 12, 16-19

CPC ..... B62D 35/02; B62D 35/00; A62D 35/005;  
B60P 3/10; B60P 3/1033; E01F 15/14

See application file for complete search history.

(56) **References Cited**

**U.S. PATENT DOCUMENTS**

D219,860 S *	2/1971	Burts	.....	D12/101
3,798,814 A *	3/1974	Harmon	.....	B60R 13/00 116/63 P
4,077,144 A *	3/1978	Smits	.....	G09F 21/04 340/980
6,036,250 A *	3/2000	Glatter	.....	B62D 63/08 296/181.5
6,119,384 A *	9/2000	Fischer	.....	G09F 7/10 40/590
D555,044 S *	11/2007	Balscheit	.....	D12/101
7,617,626 B2 *	11/2009	Balscheit	.....	G09F 21/04 40/590
D616,030 S *	5/2010	Mallard	.....	D12/101
D636,441 S *	4/2011	Potts	.....	D20/19
2004/0049960 A1 *	3/2004	Percy	.....	G06Q 30/0242 40/590

\* cited by examiner

*Primary Examiner* — Katrina A Betton

(57) **CLAIM**

The ornamental design for an advertising bicycle trailer, as shown and described.

**DESCRIPTION**

FIG. 1 is a left side elevation view of an advertising bicycle trailer in context;

FIG. 2 is a right side perspective view of the advertising bicycle trailer shown in FIG. 1;

FIG. 3 is a front elevation view of the advertising bicycle trailer shown in FIG. 1;

FIG. 4 is a left side elevation view of the advertising bicycle trailer shown in FIG. 1;

FIG. 5 is a right side elevation view of the advertising bicycle trailer shown in FIG. 1;

FIG. 6 is a rear elevation view of the advertising bicycle trailer shown in FIG. 1;

FIG. 7 is a top plan view of the advertising bicycle trailer shown in FIG. 1;

FIG. 8 is a bottom plan view of the advertising bicycle trailer shown in FIG. 1;

FIG. 9 is a right side perspective view of an alternate advertising bicycle trailer;

FIG. 10 is a front elevation view of the alternate advertising bicycle trailer shown in FIG. 9;

FIG. 11 is a left side elevation view of the alternate advertising bicycle trailer shown in FIG. 9;

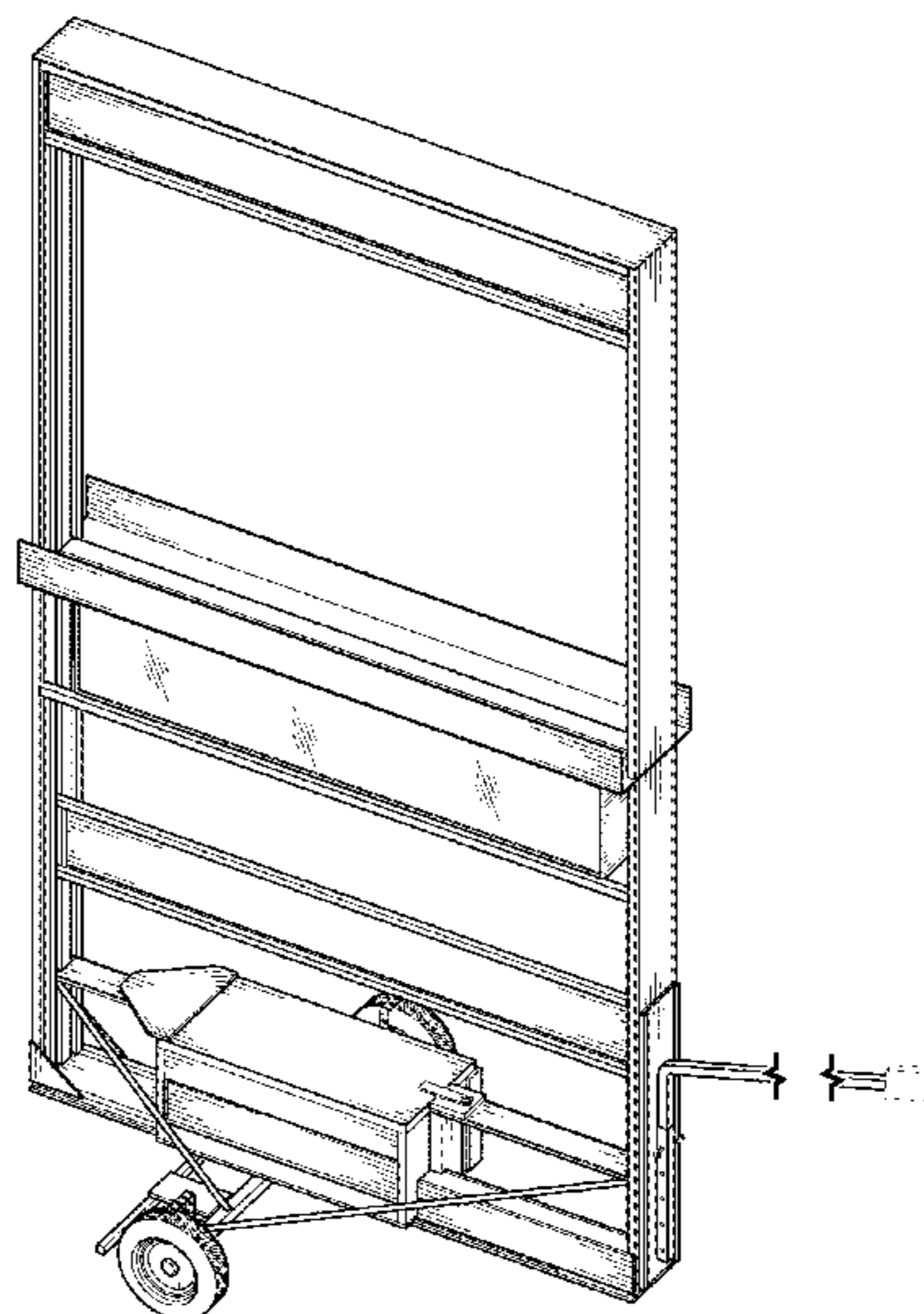
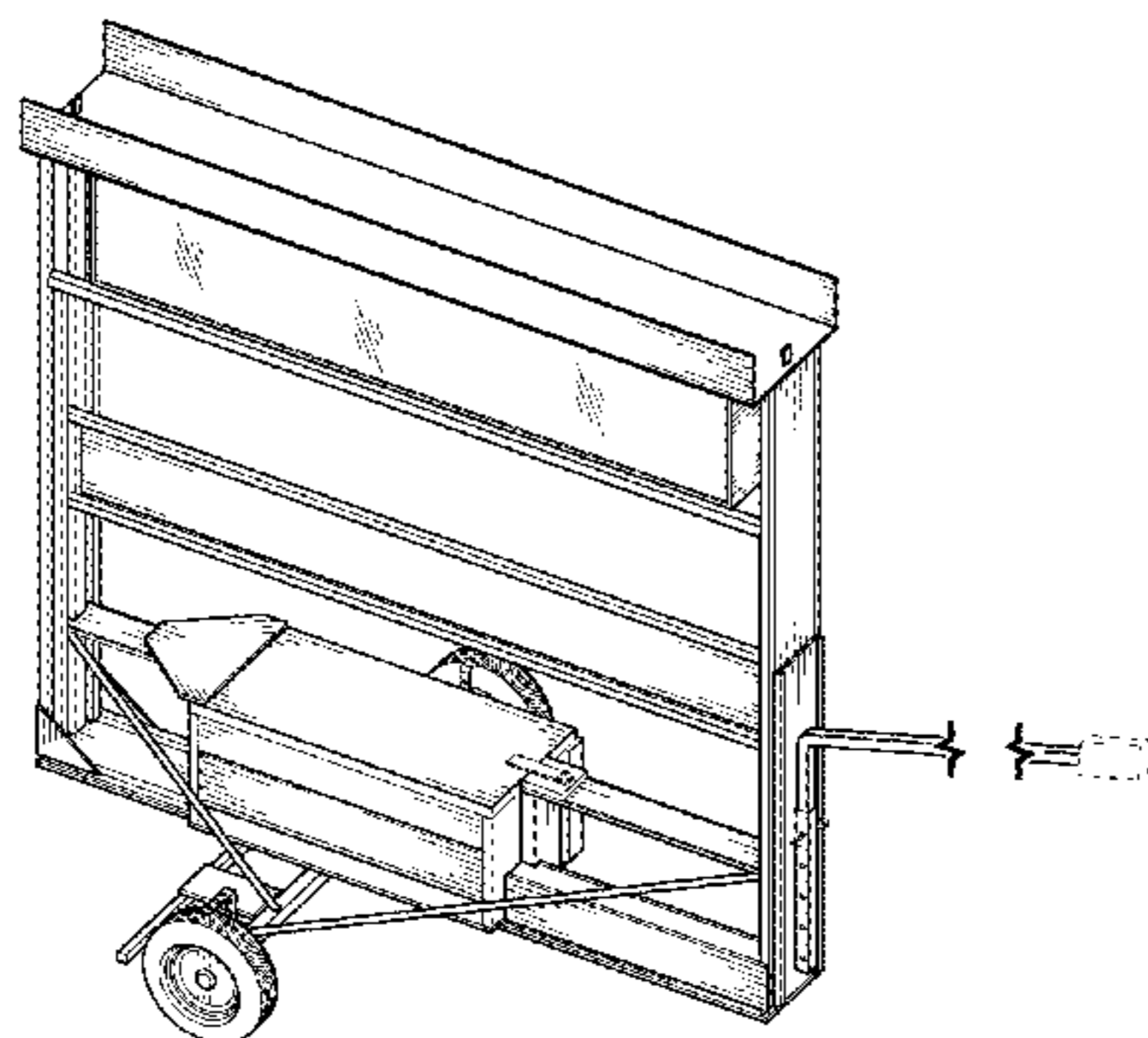
FIG. 12 is a right side elevation view of the alternate advertising bicycle trailer shown in FIG. 9;

FIG. 13 is a rear elevation view of the alternate advertising bicycle trailer shown in FIG. 9;

FIG. 14 is a top plan view of the alternate advertising bicycle trailer shown in FIG. 9; and,

FIG. 15 is a bottom plan view of the alternate advertising bicycle trailer shown in FIG. 9.

**1 Claim, 9 Drawing Sheets**



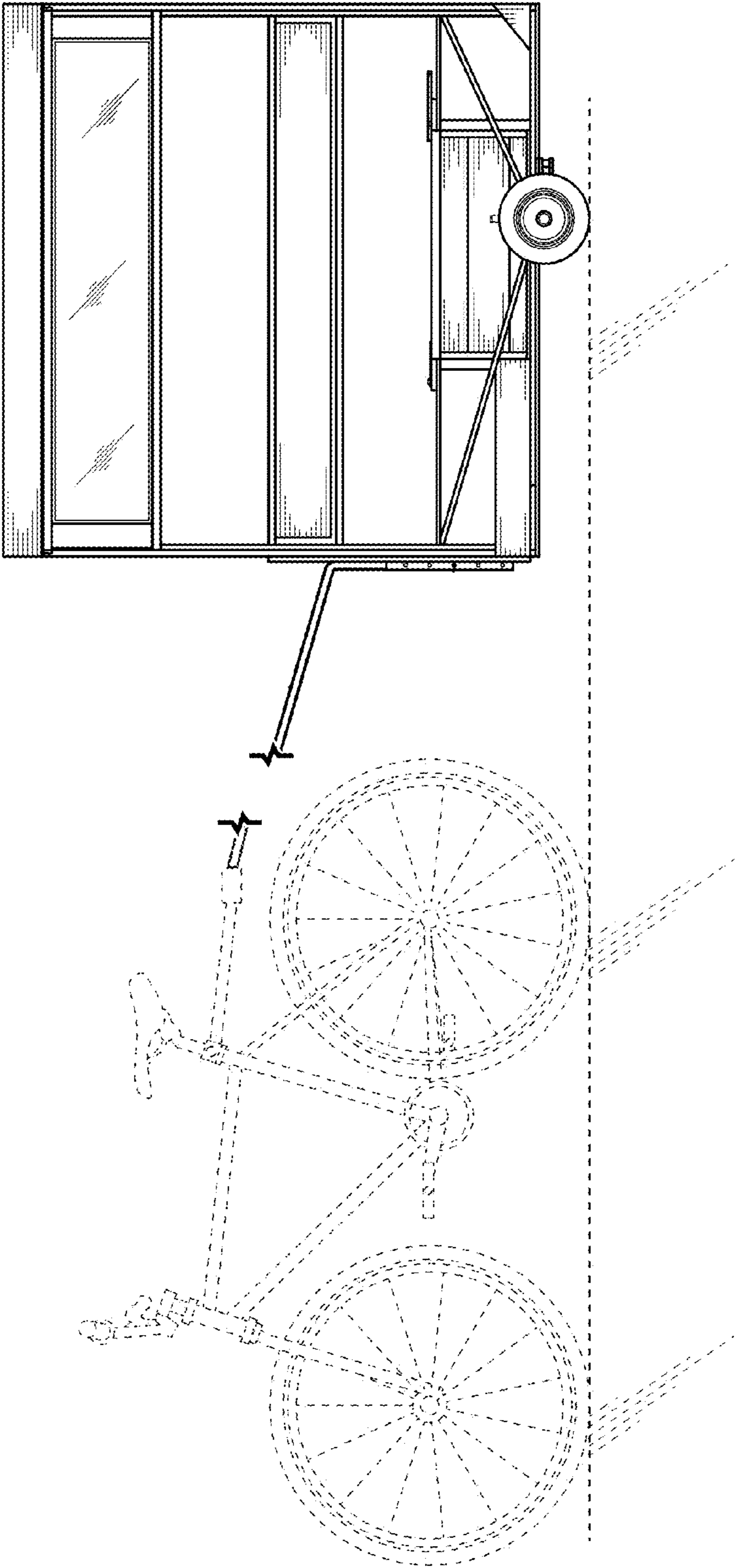


FIG. 1

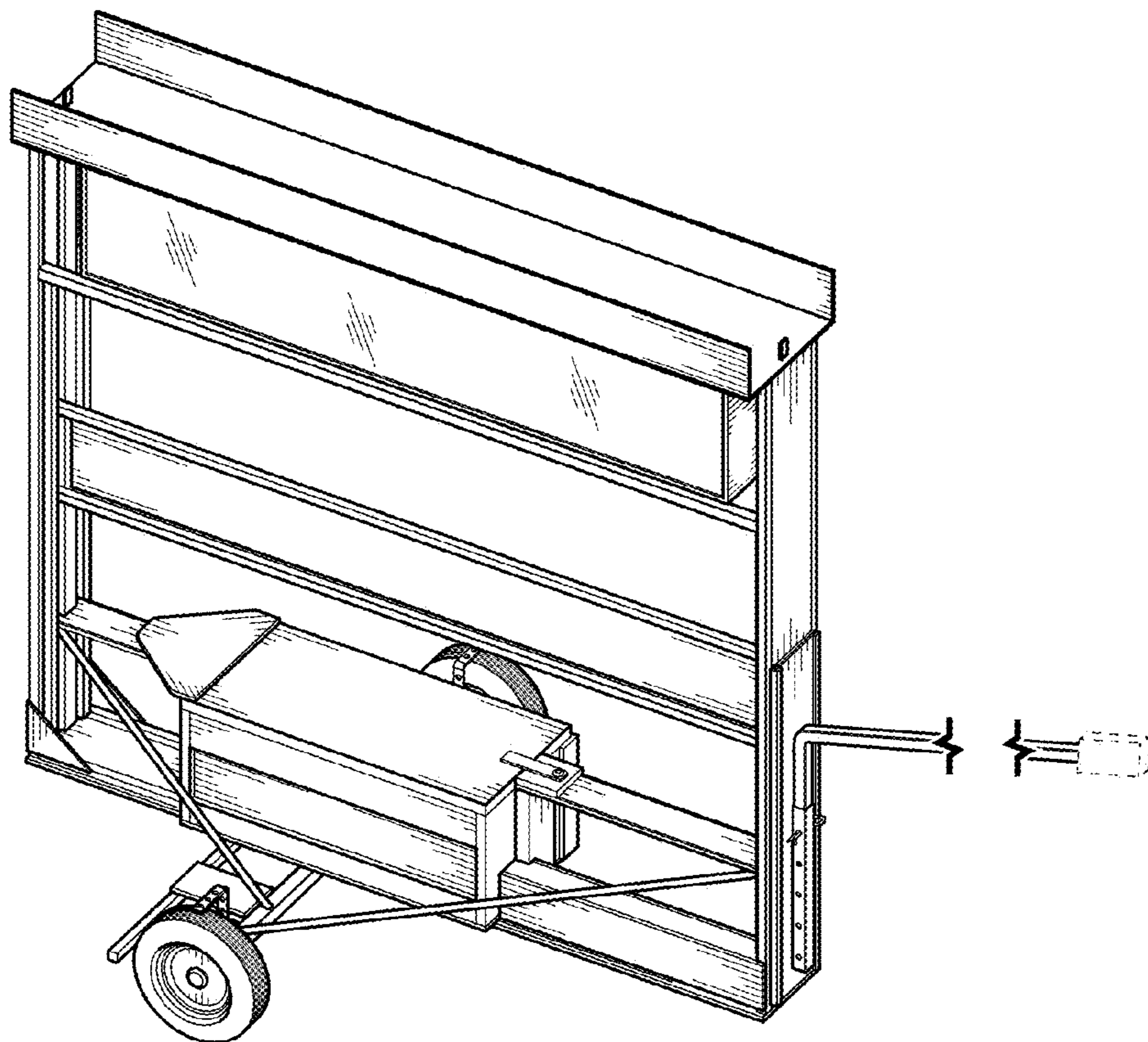


FIG. 2

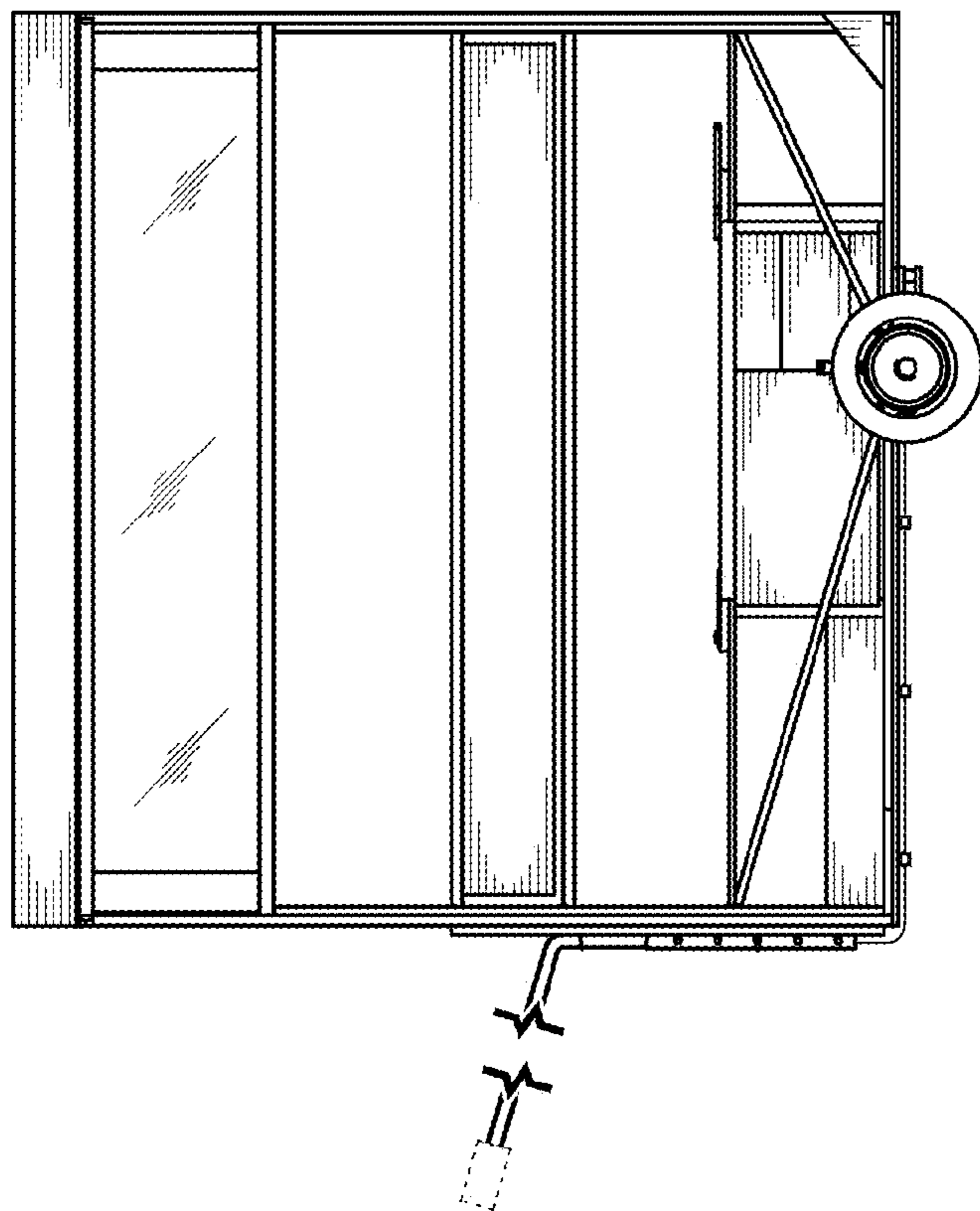


FIG. 4

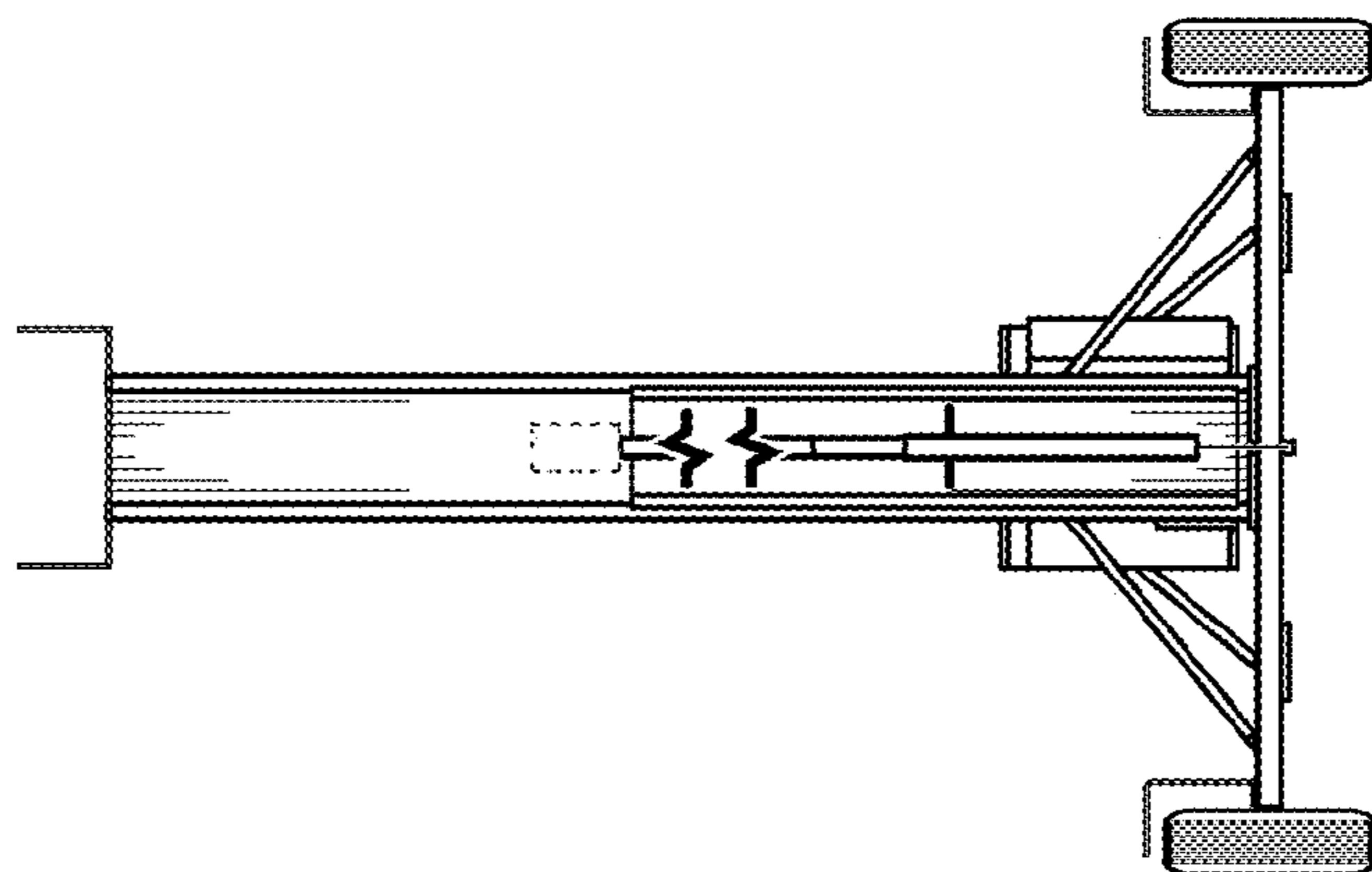


FIG. 3

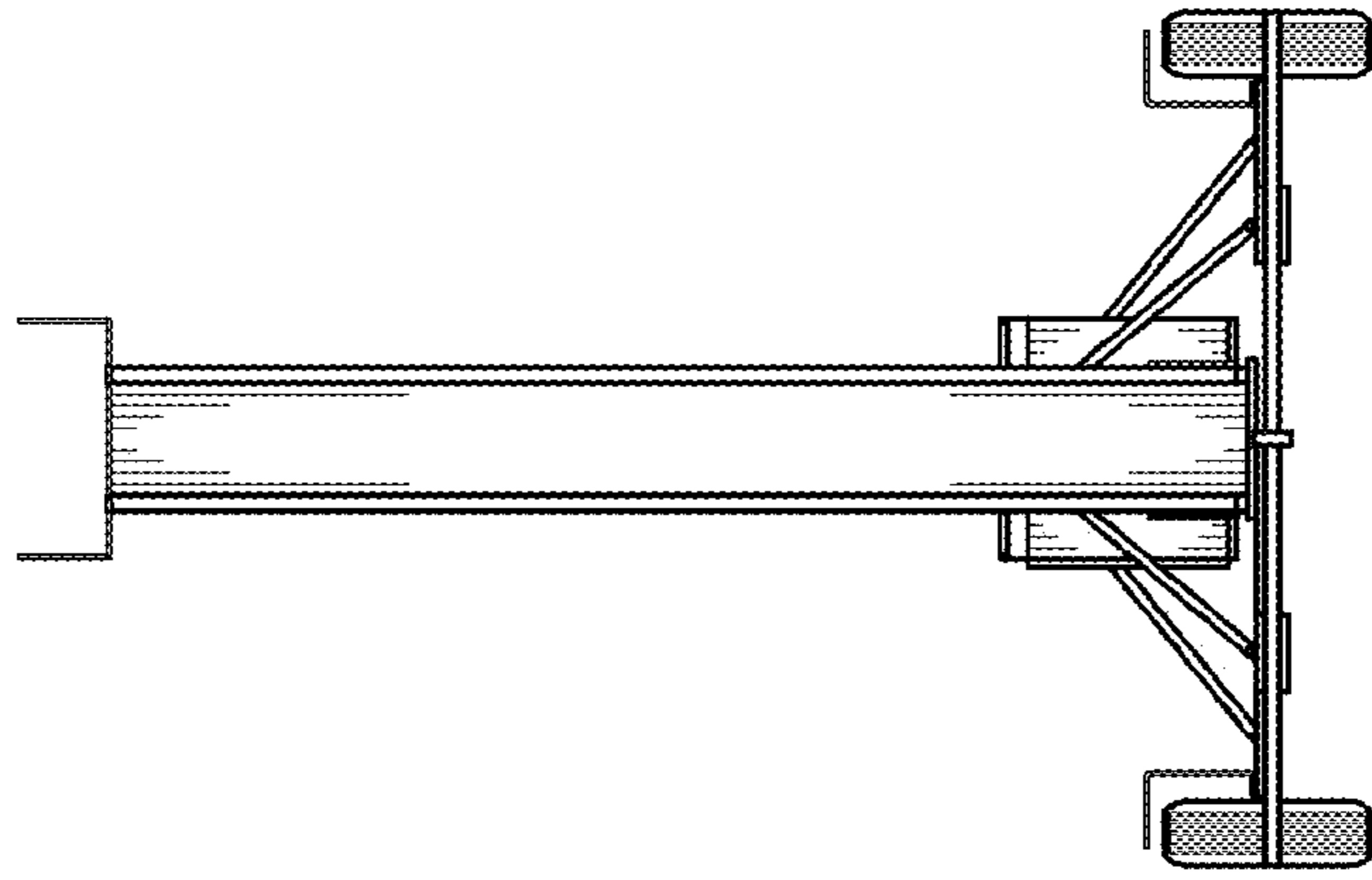


FIG. 6

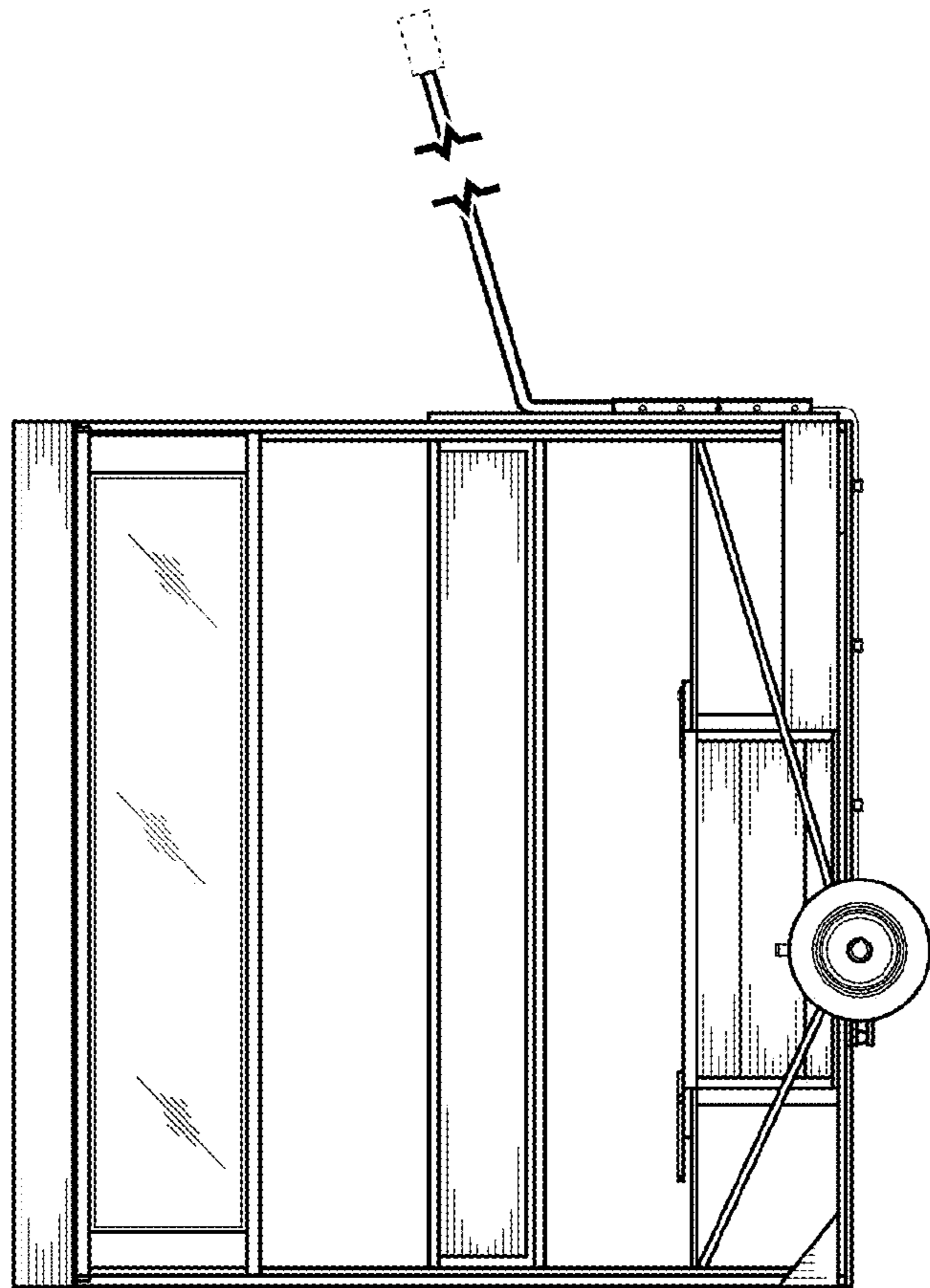


FIG. 5

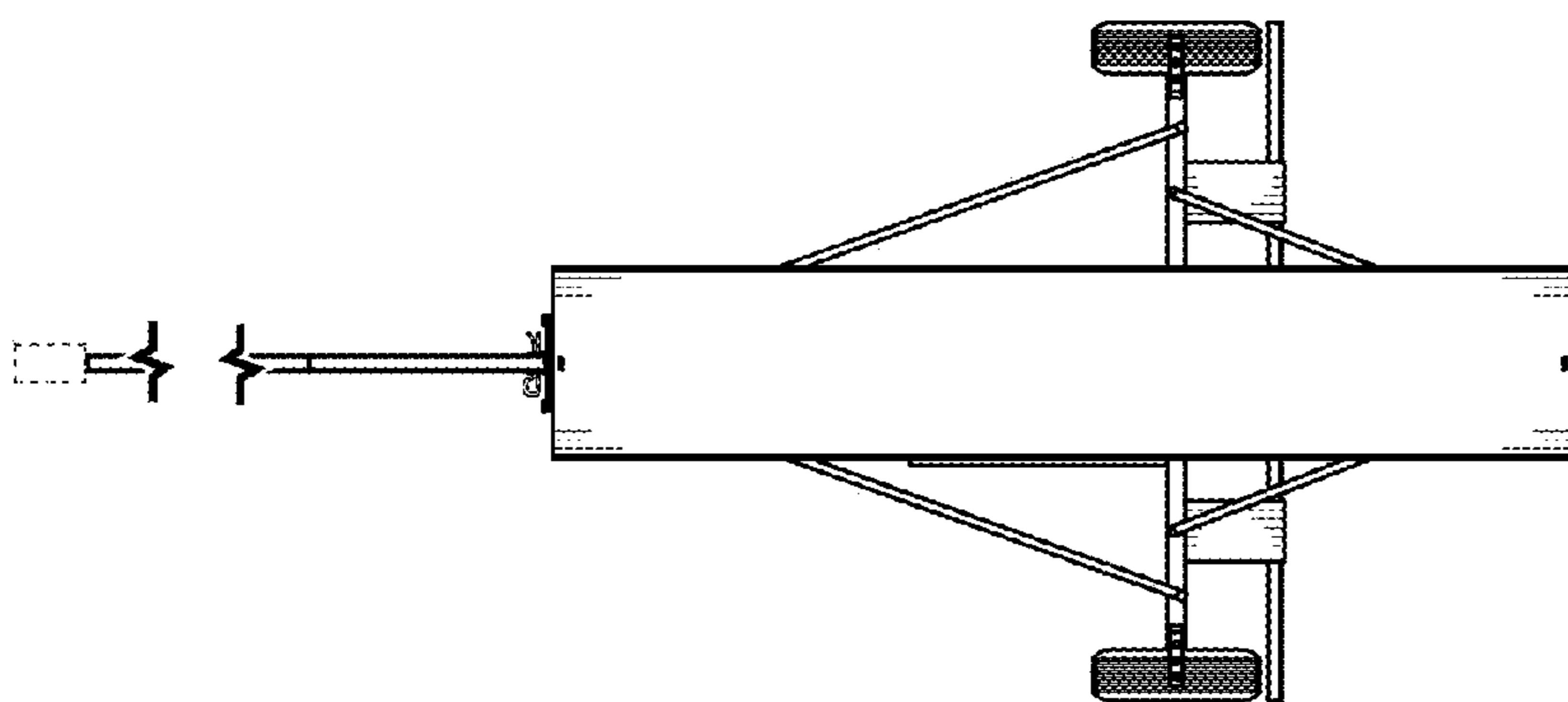


FIG. 8

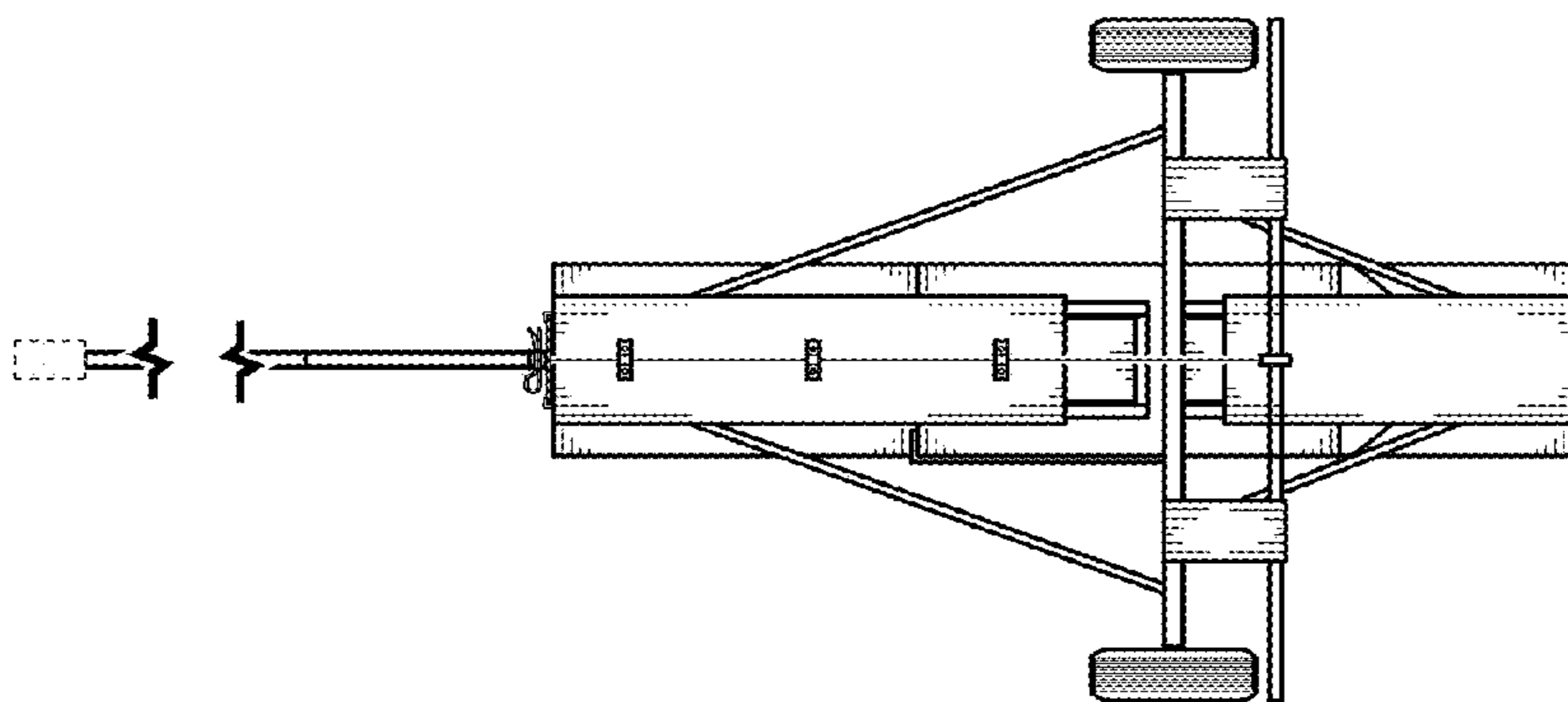


FIG. 7

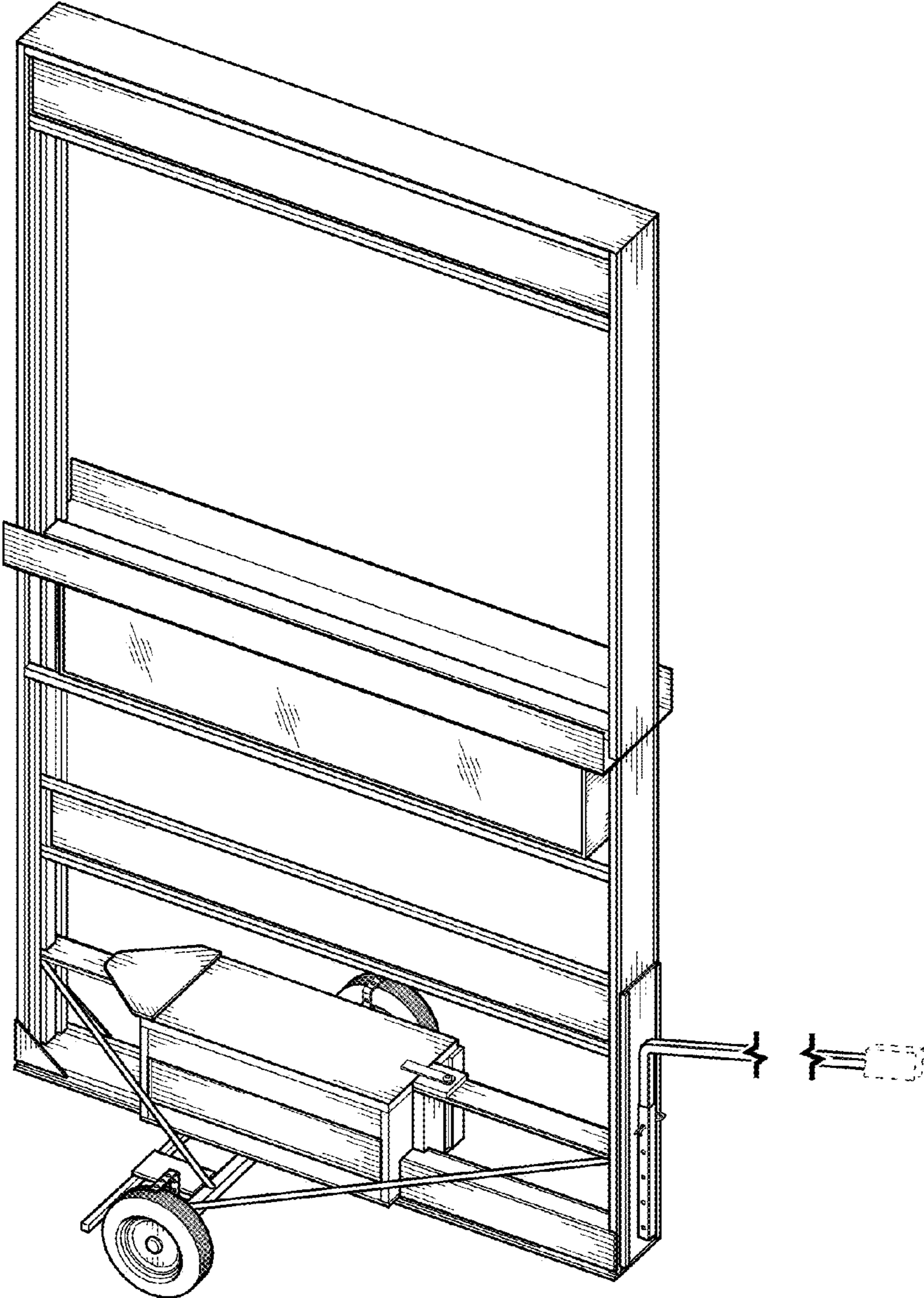


FIG. 9

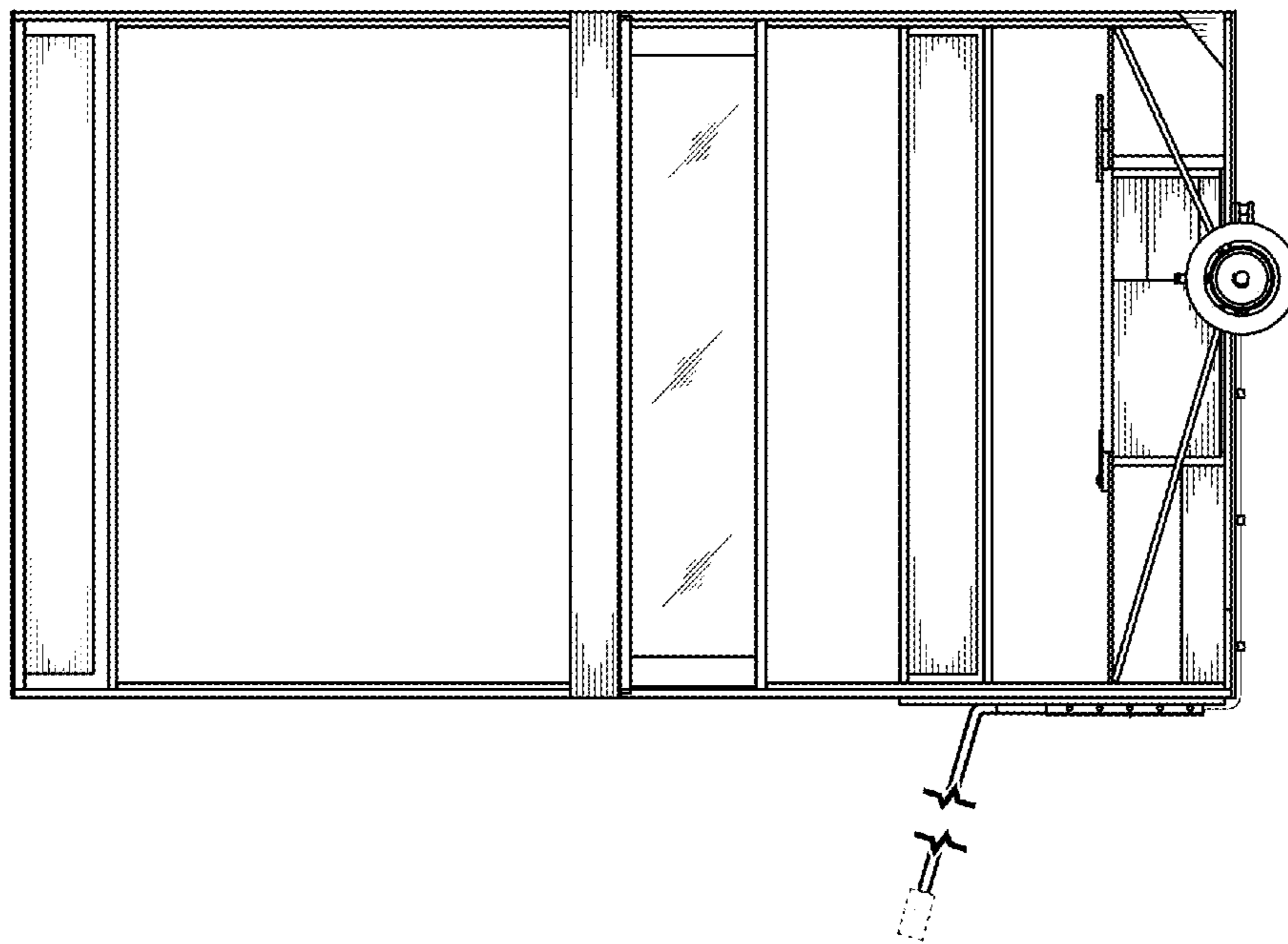


FIG. 11

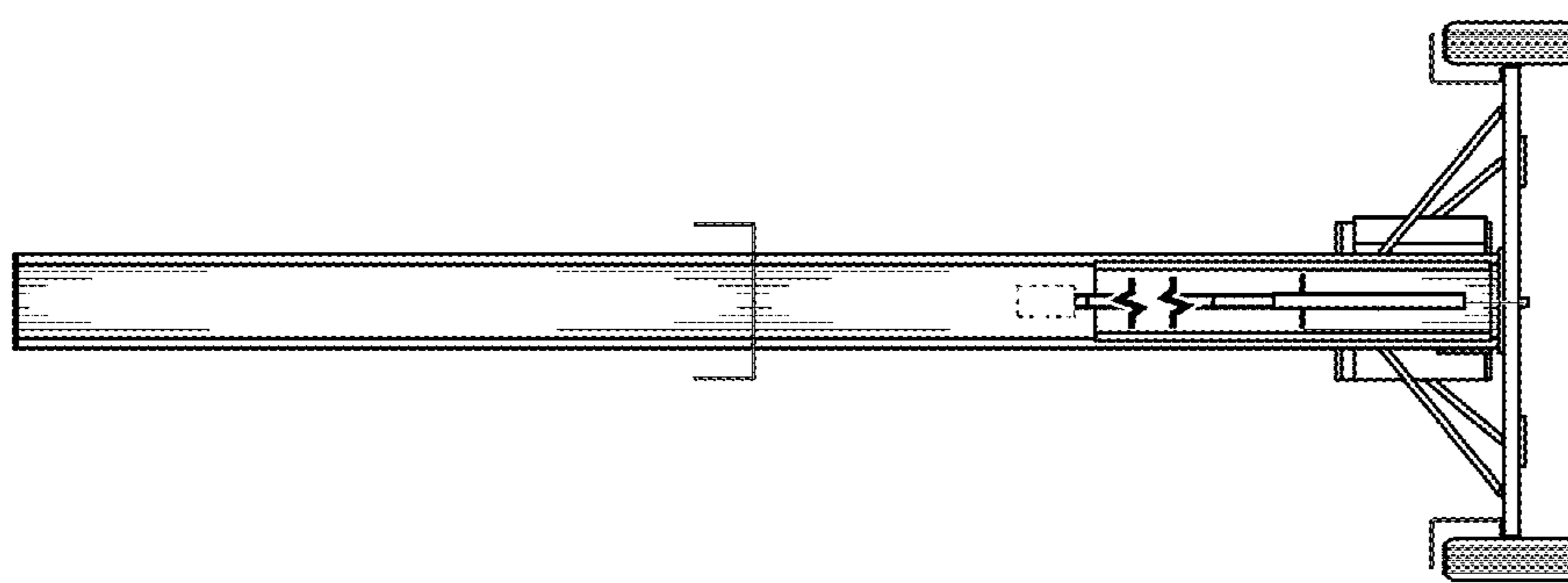


FIG. 10



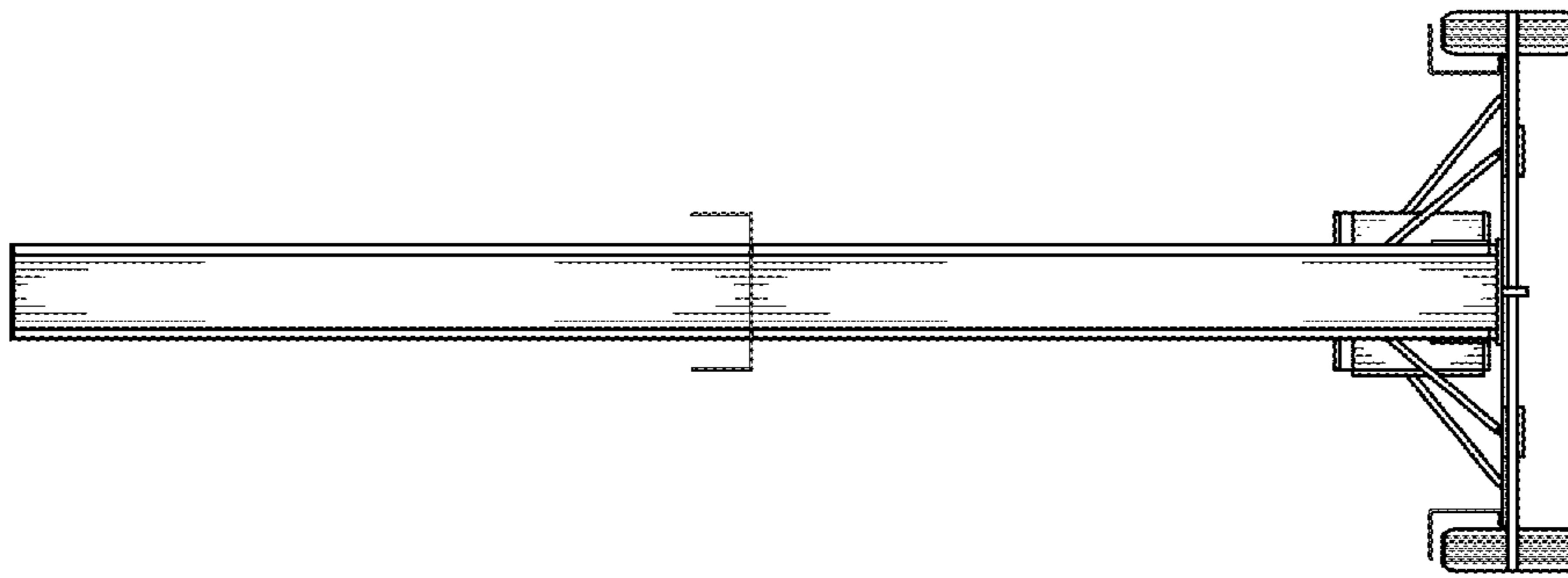


FIG. 13

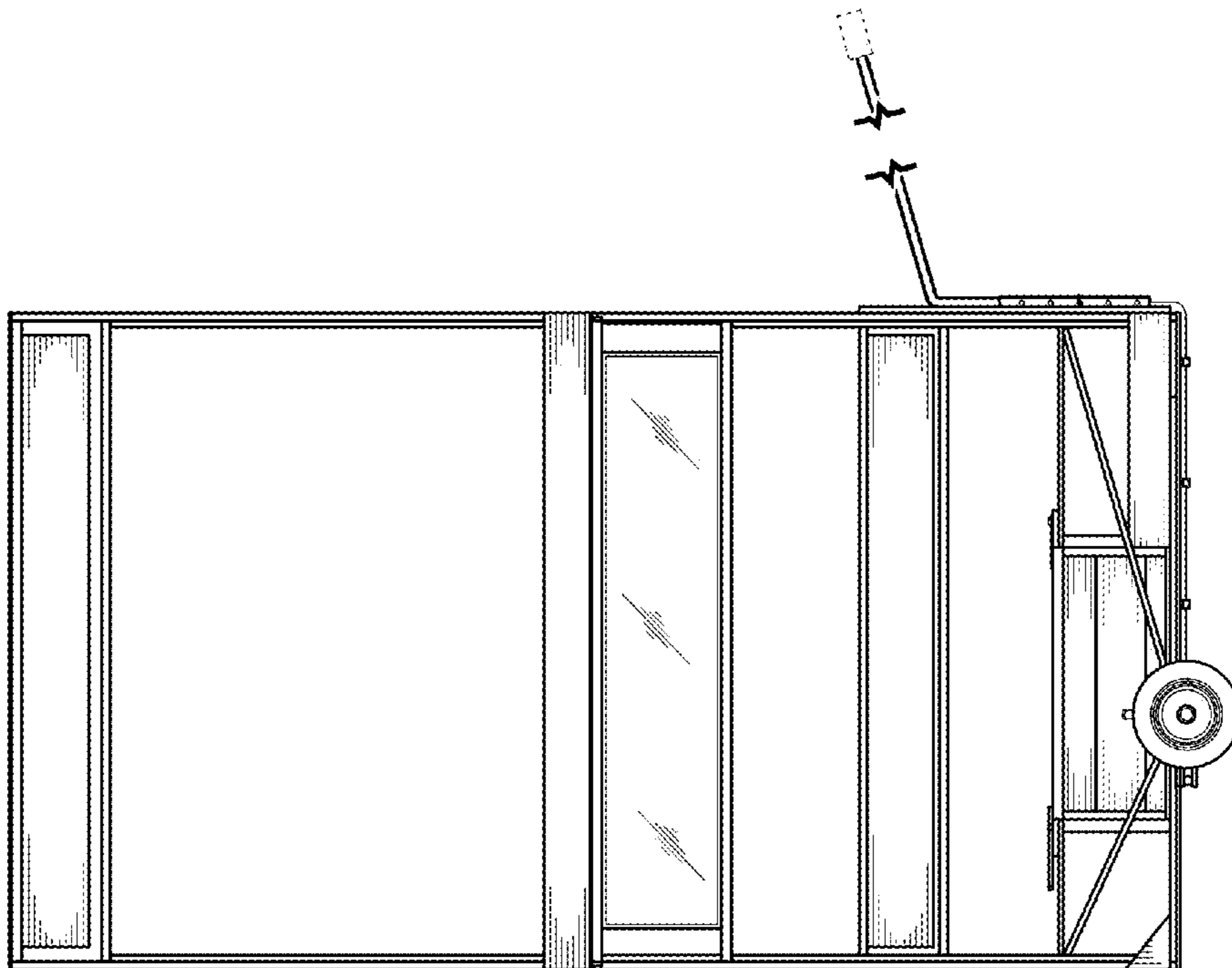


FIG. 12

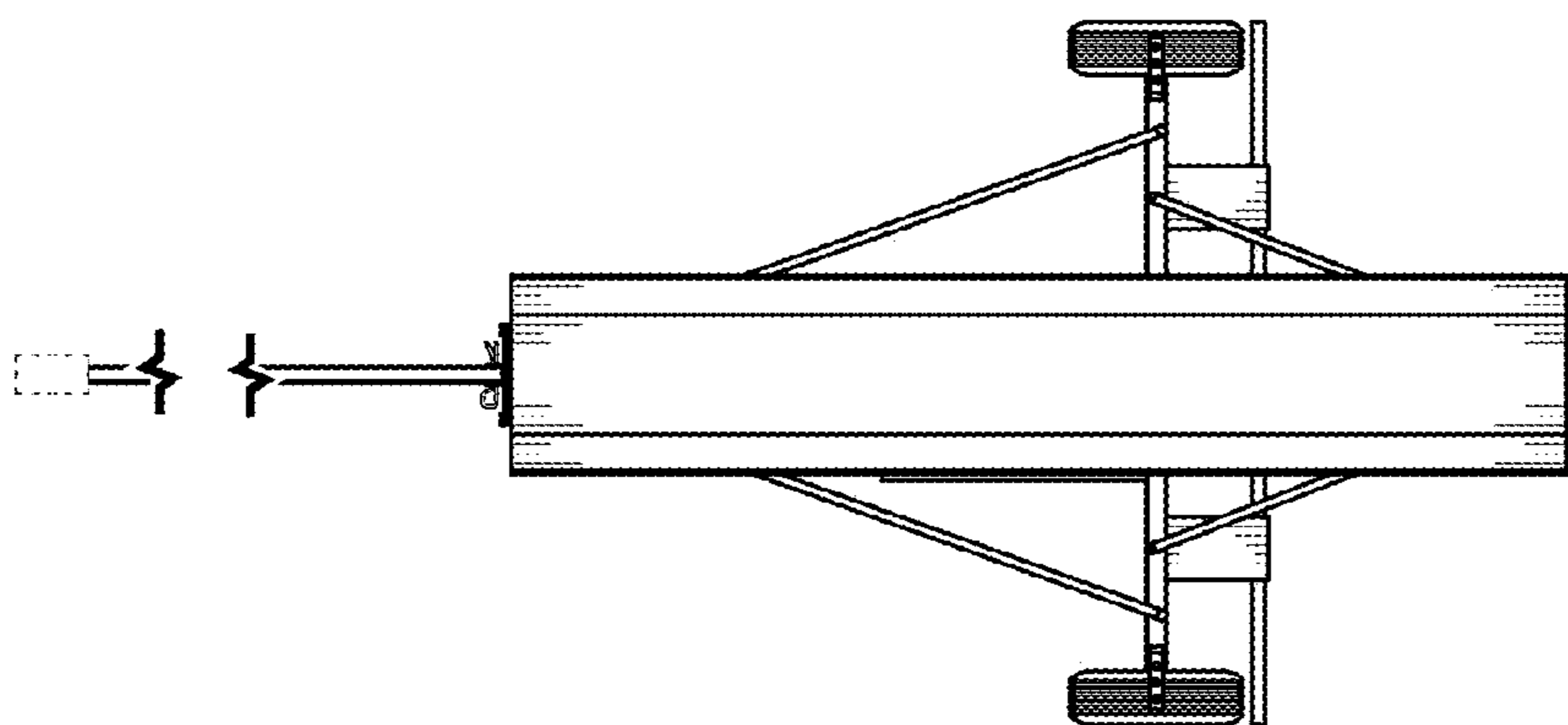


FIG. 15

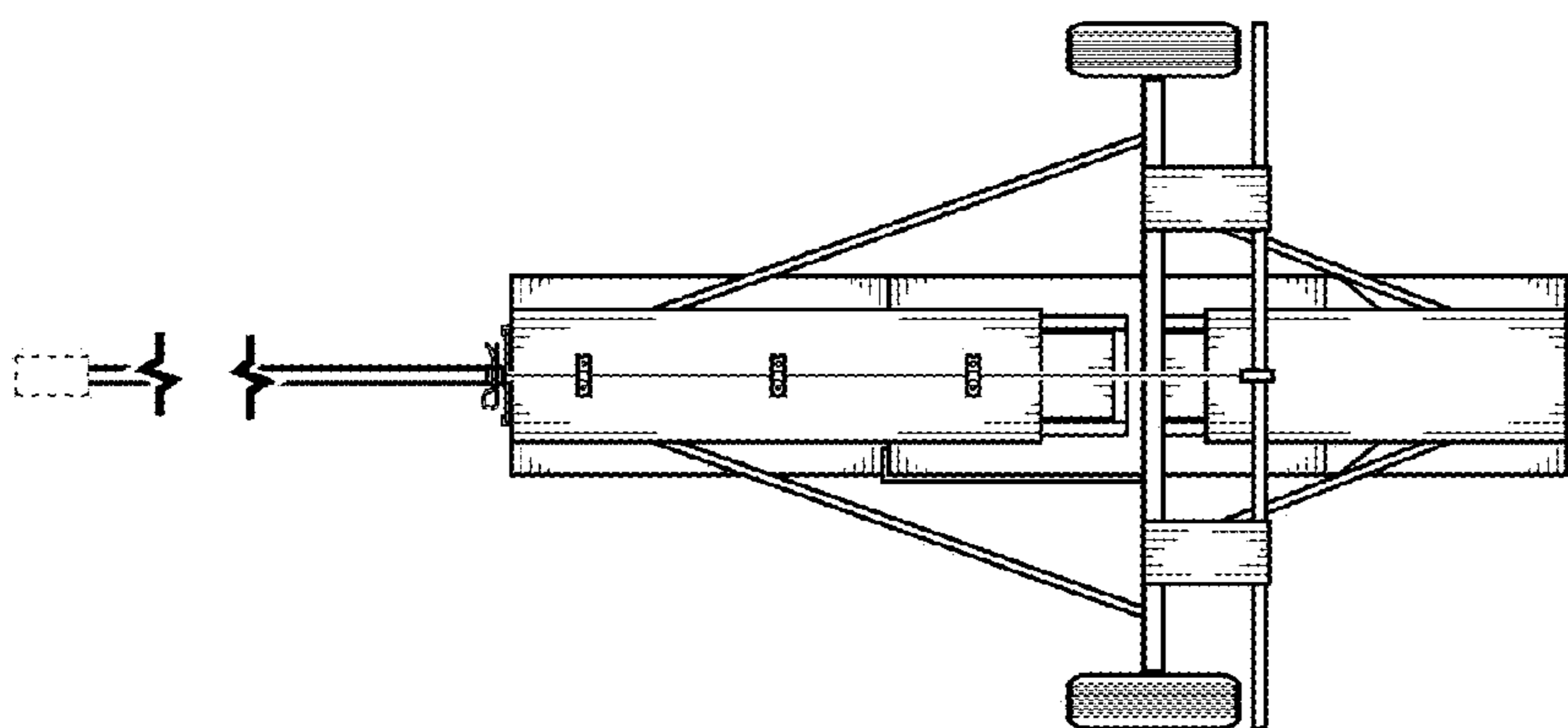


FIG. 14