

US00D764341S

(12) **United States Design Patent**  
**Akana et al.**

(10) **Patent No.:** **US D764,341 S**

(45) **Date of Patent:** **\*\* Aug. 23, 2016**

(54) **BAND**

(71) Applicant: **Apple Inc.**, Cupertino, CA (US)

(72) Inventors: **Jody Akana**, San Francisco, CA (US);  
**Bartley K. Andre**, Palo Alto, CA (US);  
**Shota Aoyagi**, San Francisco, CA (US);  
**Anthony Michael Ashcroft**, San Francisco, CA (US);  
**Jeremy Bataillou**, San Francisco, CA (US);  
**Daniel J. Coster**, San Francisco, CA (US);  
**Daniele De Iuliis**, San Francisco, CA (US);  
**M. Evans Hankey**, San Francisco, CA (US);  
**Julian Hoenig**, San Francisco, CA (US);  
**Richard P. Howarth**, San Francisco, CA (US);  
**Jonathan P. Ive**, San Francisco, CA (US);  
**Duncan Robert Kerr**, San Francisco, CA (US);  
**Marc A. Newson**, London (GB);  
**Matthew Dean Rohrbach**, San Francisco, CA (US);  
**Peter Russell-Clarke**, San Francisco, CA (US);  
**Benjamin Andrew Shaffer**, San Jose, CA (US);  
**Mikael Silvanto**, San Francisco, CA (US);  
**Christopher J. Stringer**, Woodside, CA (US);  
**Eugene Antony Whang**, San Francisco, CA (US);  
**Rico Zörkendörfer**, San Francisco, CA (US)

(73) Assignee: **Apple Inc.**, Cupertino, CA (US)

(\*\*) Term: **14 Years**

(21) Appl. No.: **29/519,388**

(22) Filed: **Mar. 4, 2015**

**Related U.S. Application Data**

(63) Continuation of application No. 29/499,052, filed on Aug. 11, 2014, now Pat. No. Des. 739,780.

(51) **LOC (10) Cl.** ..... **11-01**

(52) **U.S. Cl.**  
USPC ..... **D11/3**

(58) **Field of Classification Search**  
USPC ..... D11/1-25, 86, 93, 94; D10/30-39, 70, D10/46; 24/456, 574.1, 587.11, 587.12, 24/578.15; 600/301; 224/164, 175; 368/276, 281, 282, 285; D5/54

CPC .... G04B 37/1486; G04B 37/16; G04B 37/18; A44C 5/14; A44C 5/0053; A44C 5/0069; A44C 5/0076; A44C 5/00; A44C 5/0007; A44C 5/0015; A44C 5/0023; A44C 5/003; A44C 5/0061; A44C 5/12; A44C 5/147; A44C 5/18; A44C 5/185

See application file for complete search history.

(56) **References Cited**

U.S. PATENT DOCUMENTS

296,505 A 4/1884 Babbitt  
606,617 A \* 6/1898 Zirnkilton ..... A44C 1/00  
63/20

(Continued)

FOREIGN PATENT DOCUMENTS

EP 2636328 A1 9/2013  
GB 618917 A 3/1949

(Continued)

OTHER PUBLICATIONS

[Online] <http://www.apple-market.co.uk/wp-content/uploads/2015/06/Apple-Watch-42mm-Stainless-Steel-Case-with-Milanese-Loop-0.jpg>. Retrieved Mar. 28, 2016.\*

(Continued)

*Primary Examiner* — Garth Rademaker

*Assistant Examiner* — Melanie Pellegrini

(74) *Attorney, Agent, or Firm* — Sterne, Kessler, Goldstein & Fox P.L.L.C.

(57) **CLAIM**

The ornamental design for a band, as shown and described.

**DESCRIPTION**

FIG. 1 is a bottom front perspective view of a band showing our new design;

FIG. 2 is a bottom rear perspective view thereof;

FIG. 3 is a front view thereof;

FIG. 4 is a rear view thereof;

FIG. 5 is a left side view thereof;

FIG. 6 is a right side view thereof;

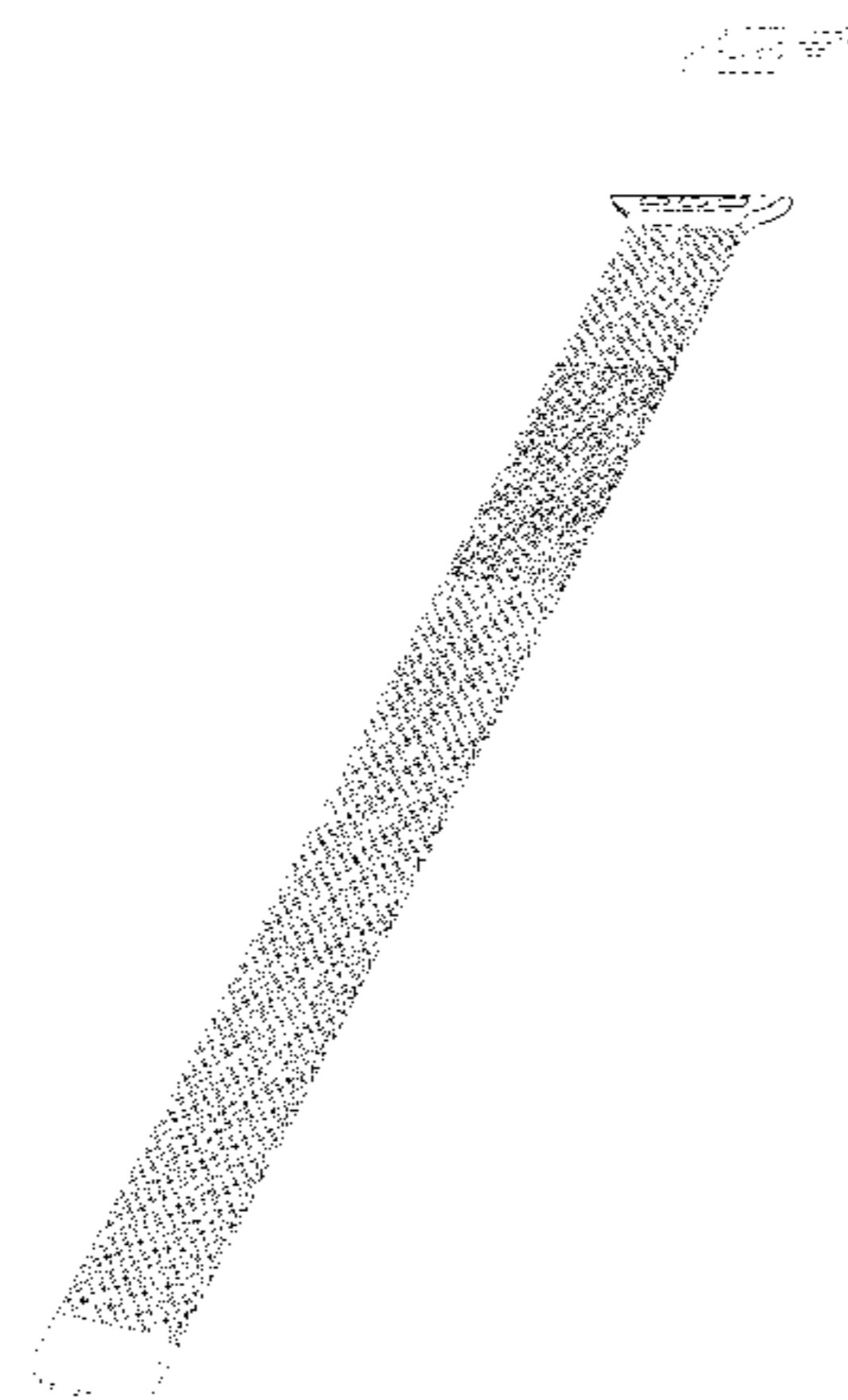
FIG. 7 is a top view thereof; and,

FIG. 8 is a bottom view thereof.

The broken lines in the figures show portions of the band that form no part of the claimed design.

The dot-dash lines in the figures show boundaries that form no part of the claimed design.

**1 Claim, 5 Drawing Sheets**





(56)

References Cited

U.S. PATENT DOCUMENTS

851,288	A	4/1907	Hodges	
D76,609	S *	10/1928	Durand	245/10
D83,282	S *	2/1931	Smith	D25/154
1,962,037	A	6/1934	Schofer	
2,451,749	A	10/1948	Kreisler	
2,451,750	A	10/1948	Kreisler et al.	
2,451,780	A *	10/1948	Siska	A44C 5/0061 140/24
2,498,211	A	2/1950	Kreisler	
D161,189	S *	12/1950	Knibb	D11/20
3,030,686	A	4/1962	Burkhardt	
D217,389	S *	4/1970	Daringer	D25/154
3,665,565	A	5/1972	Kruger	
3,675,284	A	7/1972	Rieth	
3,686,734	A *	8/1972	Labarte	A44C 27/00 29/896.41
D269,254	S *	6/1983	Kishimoto	D10/32
4,627,231	A	12/1986	Kiuchi	
D297,123	S	8/1988	Kabaya	
5,201,789	A	4/1993	Fontana	
D343,584	S	1/1994	Olmes et al.	
5,363,351	A	11/1994	Carney	
D356,957	S	4/1995	Burgener	
D438,812	S	3/2001	Bert	
D459,238	S	6/2002	Wunderman	
D473,818	S	4/2003	Salvisberg	
D494,098	S	8/2004	Cohen	
6,860,097	B2 *	3/2005	Dal Monte	A44C 11/00 29/896.411
D534,821	S	1/2007	Chen	
D588,487	S	3/2009	Hartzband	
D599,680	S	9/2009	Schoepfer	
D603,724	S	11/2009	Jorst et al.	
D612,748	S	3/2010	Jorst et al.	
8,328,073	B1	12/2012	Smith et al.	
8,601,784	B2	12/2013	Kaltenrieder	
D724,469	S	3/2015	Akana et al.	
D727,197	S	4/2015	Akana et al.	
D727,198	S	4/2015	Akana et al.	
D727,199	S	4/2015	Akana et al.	
D727,787	S	4/2015	Akana et al.	
D737,158	S *	8/2015	Akana	D10/32
D739,780	S *	9/2015	Akana	D11/3
D746,707	S *	1/2016	Akana	D10/39
2014/0096345	A1	4/2014	Tschumi	
2014/0098649	A1	4/2014	Tschumi	

FOREIGN PATENT DOCUMENTS

GB	2082277	5/1984
GB	3005267	8/2002
JP	D1058152	1/2000
JP	D1074246	6/2000
JP	D1124844	10/2001
JP	D1158470	11/2002
JP	D1263841	2/2006
JP	D1320355	1/2008
WO	DM/047140-001	5/1999
WO	DM/048231-004	8/1999
WO	DM/049512-006	12/1999
WO	DM/058718-003	3/2002
WO	DM/064910-005	3/2004
WO	DM/068702-001	9/2007
WO	DM/076656-001	9/2011
WO	DM/080373-001	3/2013
WO	DM/080997-001	6/2013
WO	WO-2013182397	A1 12/2013

OTHER PUBLICATIONS

[Online] [http://www.luxurywatchstraps.co.uk/image\\_library/P2260073\\_zpsdd51d922.JPG](http://www.luxurywatchstraps.co.uk/image_library/P2260073_zpsdd51d922.JPG). Retrieved Mar. 28, 2016.\*

[Online] <http://www.gyrofsh.com.au/media/catalog/product/cache/1/image/650x650/9df78eab33525d08d6e5fb8d27136e95/t/r/triwa->

stirling-lansen-chrono-mesh-watch-01.jpg. Retrieved Mar. 28, 2016.\*

[Online] [http://www.kingice.com/media/catalog/product/cache/1/image/9df78eab33525d08d6e5fb8d27136e95/m/e/mens-watches-acx10059\\_1100.jpg](http://www.kingice.com/media/catalog/product/cache/1/image/9df78eab33525d08d6e5fb8d27136e95/m/e/mens-watches-acx10059_1100.jpg). Retrieved Mar. 28, 2016.\*

22mm Interlocking Stainless Steel Mesh Divers Watch Band Bracelet, XX, <<http://www.strapcode.com/store/22mm-interlocking-stainless-steel-mesh-divers-watch-band-bracelet-p-1255.html>>, accessed on Dec. 4, 2014.

28mm Reform Stainless Steel “Shark” Polished Mesh Watch Band Deployant Strap, <[http://www.ebay.com/itm/28mm-Reform-Stainless-Steel-SHARK-Polished-Mesh-Watch-Band-Deployant-Strap-/231397551849?pt=US\\_Watch\\_Bands&hash=item35e05e6ee9](http://www.ebay.com/itm/28mm-Reform-Stainless-Steel-SHARK-Polished-Mesh-Watch-Band-Deployant-Strap-/231397551849?pt=US_Watch_Bands&hash=item35e05e6ee9)>, accessed Dec. 4, 2014.

Adams, Ariel, “Max Bill by Junghans Watches For 2010,” A Blog to Watch.com, <<http://www.ablogtowatch.com/max-bill-by-junghans-watches-for-2010/>>, dated Mar. 25, 2010.

Fitbit, “Fitbit Surge™ Fitness Super Watch” <<https://www.fitbit.com/surge>>, accessed Dec. 15, 2014.

Hadley Roma, Hadley-Roma Men’s MB3836RWSE 20 20-mm Stainless Steel Heavy Mesh Watch Strap, <[http://www.amazon.com/Hadley-Roma-MB3836RWSE-20-20-mm-Stainless/dp/B005EJFWFA/ref=sr\\_1\\_213?ie=UTF8&qid=1416670549&sr=8-213&keywords=watch+band](http://www.amazon.com/Hadley-Roma-MB3836RWSE-20-20-mm-Stainless/dp/B005EJFWFA/ref=sr_1_213?ie=UTF8&qid=1416670549&sr=8-213&keywords=watch+band)>, accessed Dec. 4, 2014.

Haedges, “1 Set Silver End Cap Clasp—Findings Large Toggle Clasp End Caps Buckle Connector with Five Inside Loops for Jewelry Making 26mm.” <<http://www.etsy.com/listing/101269004/1-set-silver-end-cap-clasp-findings?ref=market>>, Listed on Aug. 29, 2014, accessed Oct. 9, 2014.

Homego, “M6 Silver Smart Watch Cell Phone 1.54 inch Bluetooth 3.0 Dialer Outdoor Sports Pedometer,” amazon.com, <<http://www.amazon.com/Silver-Bluetooth-Dialer-Outdoor-Pedometer/dp/B00MQTBGK6>>, accessed Dec. 15, 2014.

[Online] [https://lh6.googleusercontent.com/zOUR6N5g8fIH1ouyyCpl7PGTLCMGI\\_hor1fADdMLMKdwxbkhVSU1zk-xdirsUk-KxTshxN\\_In6WdNHZLo8HNhJGB7GWEXgtMA5bngmvH\\_MByEitDmuAc0TuFk86vYCArcw](https://lh6.googleusercontent.com/zOUR6N5g8fIH1ouyyCpl7PGTLCMGI_hor1fADdMLMKdwxbkhVSU1zk-xdirsUk-KxTshxN_In6WdNHZLo8HNhJGB7GWEXgtMA5bngmvH_MByEitDmuAc0TuFk86vYCArcw). Retrieved Feb. 17, 2015.

[Online] [https://s.yimg.com/cd/resizer/2.0/FIT\\_TO\\_WIDTH-w500/8088fe4930fb9d97123f776d1cdcb7ca585d7485.jpg](https://s.yimg.com/cd/resizer/2.0/FIT_TO_WIDTH-w500/8088fe4930fb9d97123f776d1cdcb7ca585d7485.jpg). Retrieved Feb. 17, 2015.

Ruano, L., “Ikepod Solaris Watch by Marc Newson,” Hypebeast.com, <<http://hypebeast.com/2009/1/ikepod-solaris-watch-by-marc-newson>>, dated Jan. 12, 2009.

Samsung, “Samsung Gear™ 2 Charcoal Black SM-R3800VSAXAR,” <<http://www.samsung.com/us/mobile/wearable-tech/SM-R3800VSAXAR>>, accessed Dec. 15, 2014.

The Alt Team, “Ziiri Celeste Watch Hands-On”, Dec. 12, 2012, <<http://www.gadgetmac.com/alt/ziiri-watch-hands-on.html>>, accessed Dec. 4, 2014.

U.S. Appl. No. 29/498,987, filed Aug. 11, 2014.

U.S. Appl. No. 29/498,996, filed Aug. 11, 2014.

U.S. Appl. No. 29/499,061, filed Aug. 11, 2014.

U.S. Appl. No. 29/499,067, filed Aug. 11, 2014.

U.S. Appl. No. 29/499,068, filed Aug. 11, 2014.

U.S. Appl. No. 29/499,069, filed Aug. 11, 2014.

U.S. Appl. No. 29/499,080, filed Aug. 11, 2014.

U.S. Appl. No. 29/499,081, filed Aug. 11, 2014.

U.S. Appl. No. 29/499,082, filed Aug. 11, 2014.

U.S. Appl. No. 29/499,088, filed Aug. 11, 2014.

U.S. Appl. No. 29/499,090, filed Aug. 11, 2014.

U.S. Appl. No. 29/499,091, filed Aug. 11, 2014.

U.S. Appl. No. 29/501,152, filed Sep. 2, 2014.

U.S. Appl. No. 29/501,624, filed Sep. 5, 2014.

U.S. Appl. No. 29/501,720, filed Sep. 8, 2014.

U.S. Appl. No. 29/501,722, filed Sep. 8, 2014.

U.S. Appl. No. 29/501,723, filed Sep. 8, 2014.

U.S. Appl. No. 29/501,733, filed Sep. 8, 2014.

U.S. Appl. No. 29/501,737, filed Sep. 8, 2014.

U.S. Appl. No. 29/501,746, filed Sep. 8, 2014.

U.S. Appl. No. 29/501,759, filed Sep. 8, 2014.

U.S. Appl. No. 29/501,760, filed Sep. 8, 2014.

U.S. Appl. No. 29/501,766, filed Sep. 8, 2014.

U.S. Appl. No. 29/501,772, filed Sep. 8, 2014.

\* cited by examiner

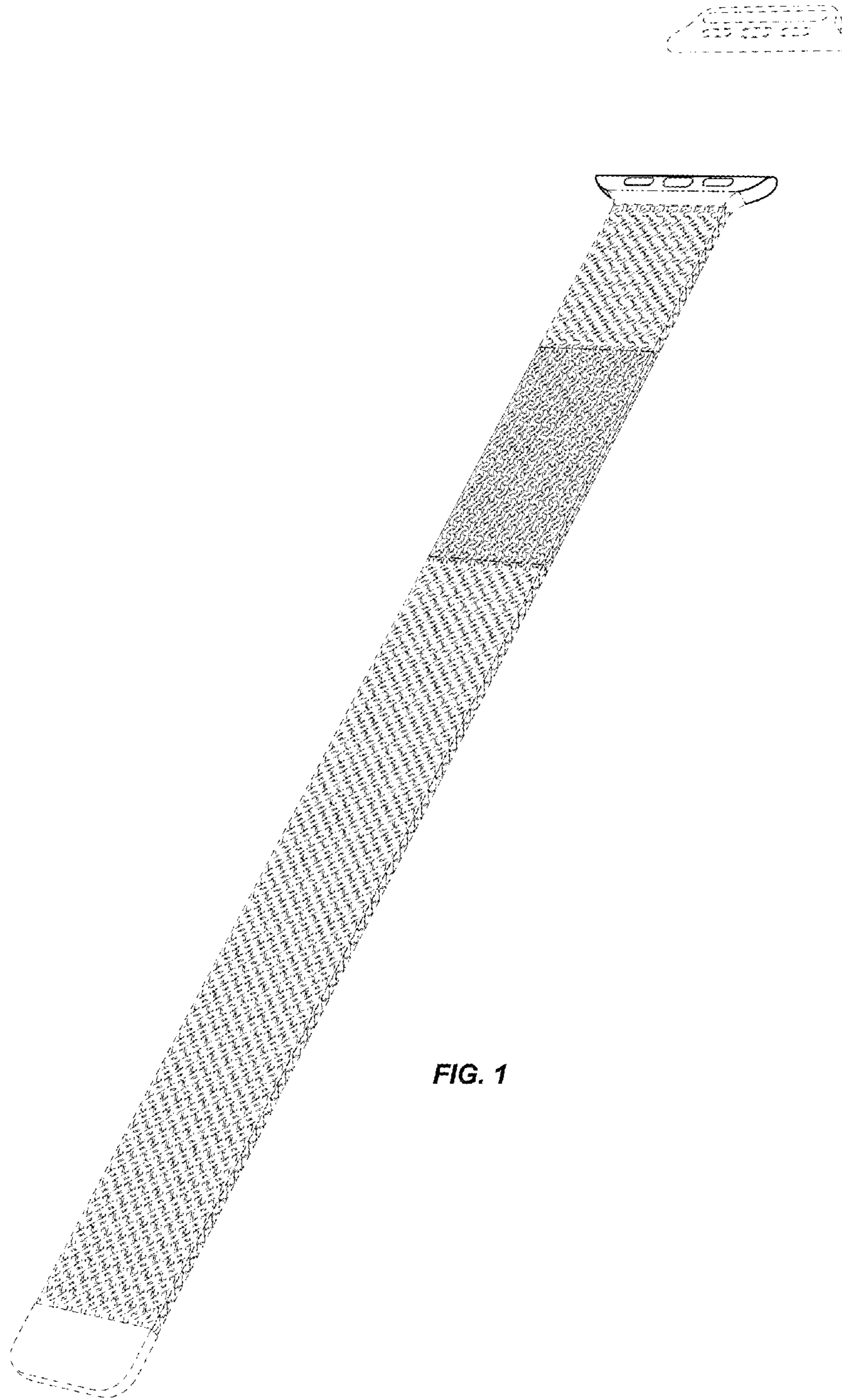


FIG. 1



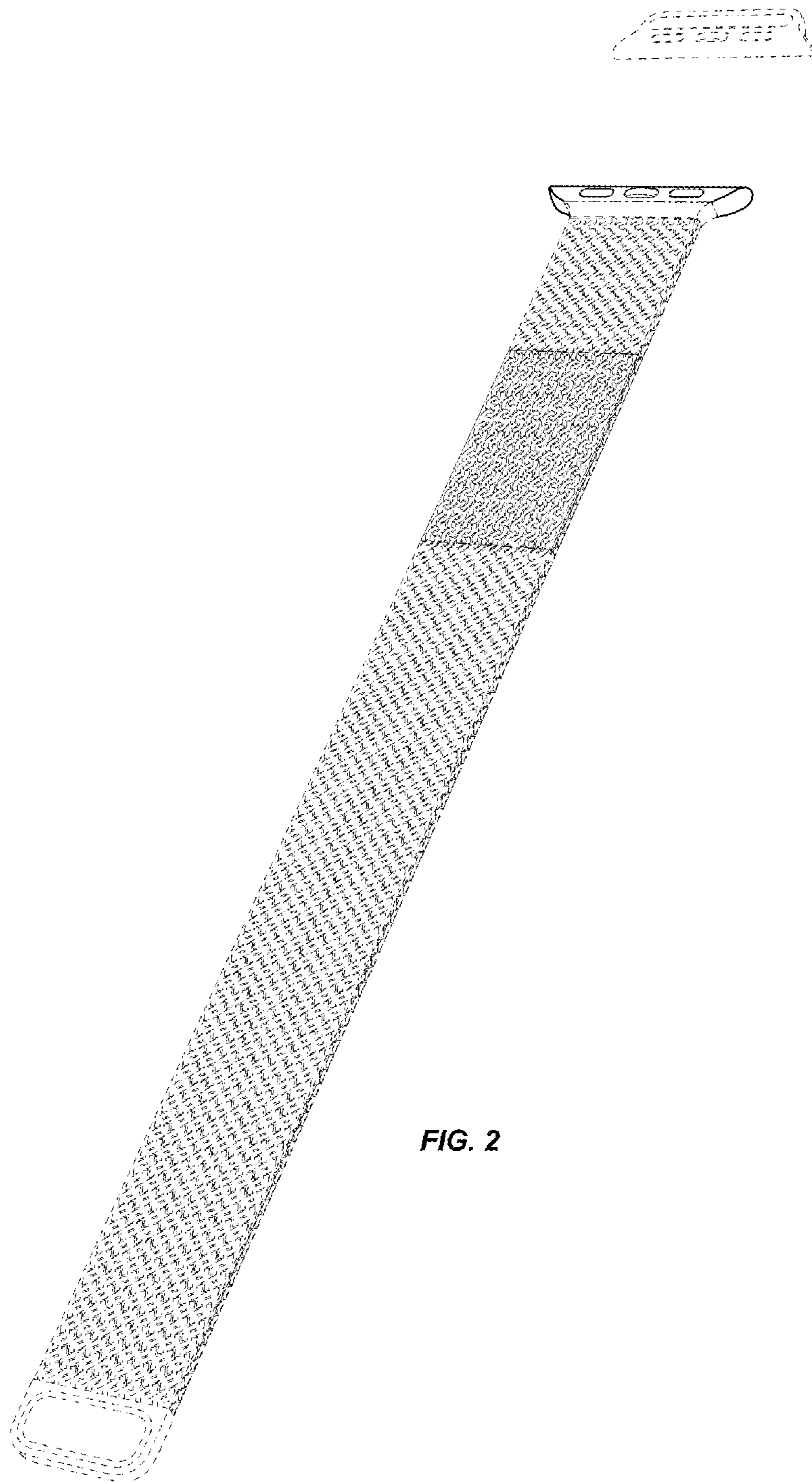


FIG. 2

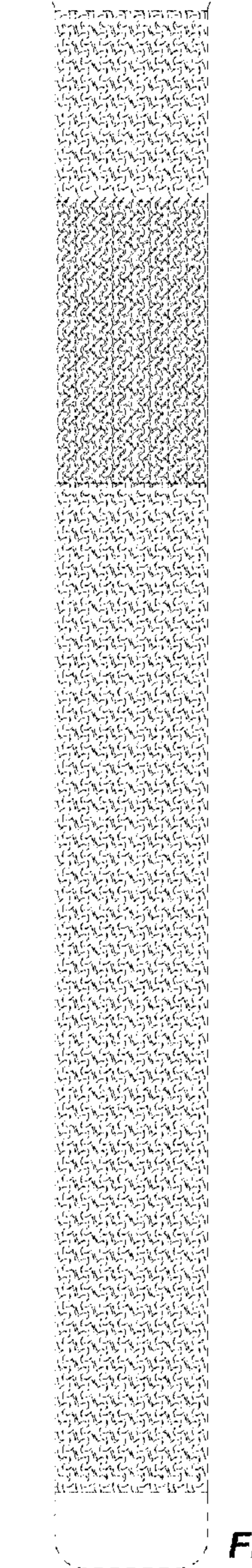
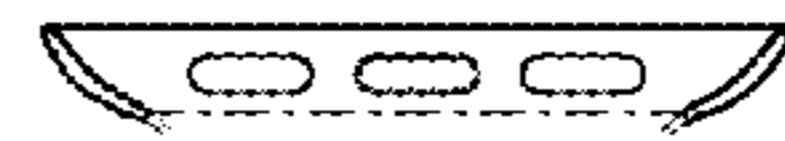
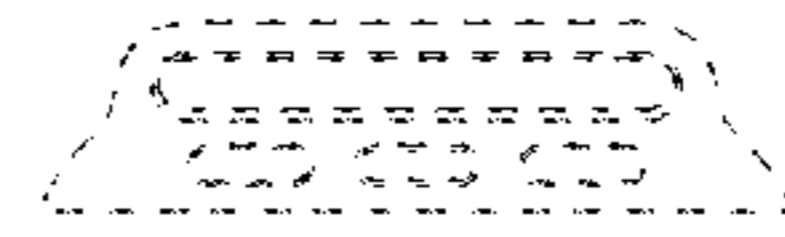
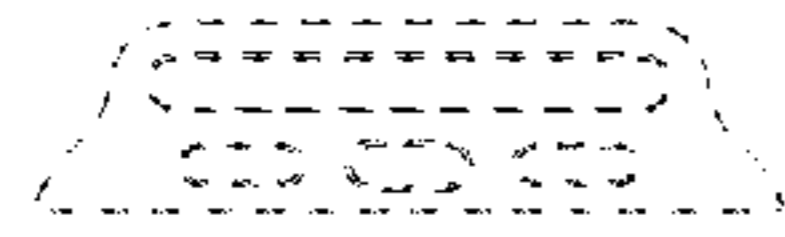


FIG. 3

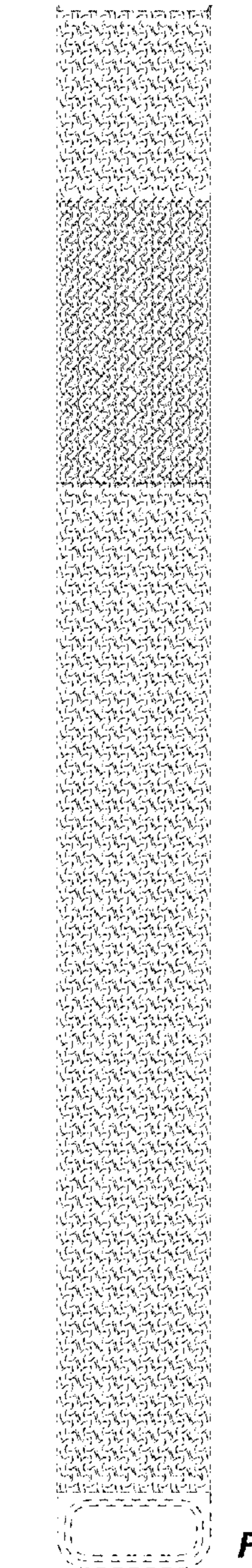
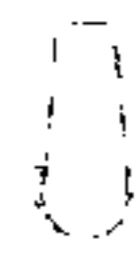
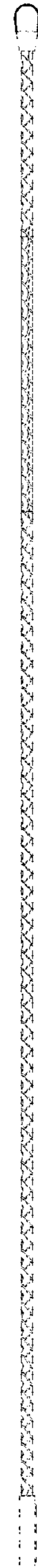
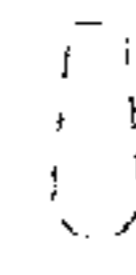


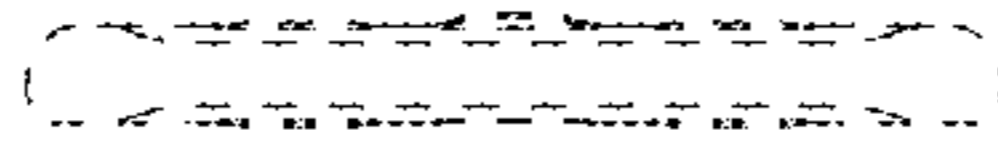
FIG. 4



**FIG. 5**



**FIG. 6**



**FIG. 7**



**FIG. 8**