



US00D764336S

(12) **United States Design Patent**
Nguyen

(10) **Patent No.:** **US D764,336 S**
(45) **Date of Patent:** **** Aug. 23, 2016**

(54) **BIRD WHISTLE**

Primary Examiner — George D Kirschbaum

(71) Applicant: **Than Van Nguyen**, Panorama City, CA
(US)

(57) **CLAIM**
I claim the ornamental design for a bird whistle, as shown and described.

(72) Inventor: **Than Van Nguyen**, Panorama City, CA
(US)

DESCRIPTION

(**) Term: **14 Years**

This application relates to the following Patents and Applications:

(21) Appl. No.: **29/518,520**

to Design U.S. Pat. No. D679,212 S, filed on May 18, 2012, entitled Toy Bird Whistle;

(22) Filed: **Feb. 24, 2015**

to U.S. Utility patent application Ser. No. 14/229,719, filed on Mar. 28, 2014, also entitled Bird Whistle.

(51) **LOC (10) Cl.** **10-05**

FIG. 1 is a left side view of a bird whistle according to the new design.

(52) **U.S. Cl.**

FIG. 2 is a right side view of the bird whistle according to the new design.

USPC **D10/119.3**

(58) **Field of Classification Search**

FIG. 3 is a front view of the bird whistle according to the new design.

USPC D10/119.1, 119.3

CPC A01M 31/004

See application file for complete search history.

FIG. 4 is a rear view of the bird whistle according to the new design.

(56) **References Cited**

FIG. 5 is a top view of the bird whistle according to the new design.

U.S. PATENT DOCUMENTS

5,222,903 A * 6/1993 Parrott A01M 31/004
446/202

FIG. 6 is a vertical, longitudinal sectional view of the bird whistle, taken along the line 4-4 of FIG. 3.

7,384,323 B2 * 6/2008 Sceery A01M 31/004
446/202

FIG. 7 is a left side perspective view of the bird whistle according to the new design; and,

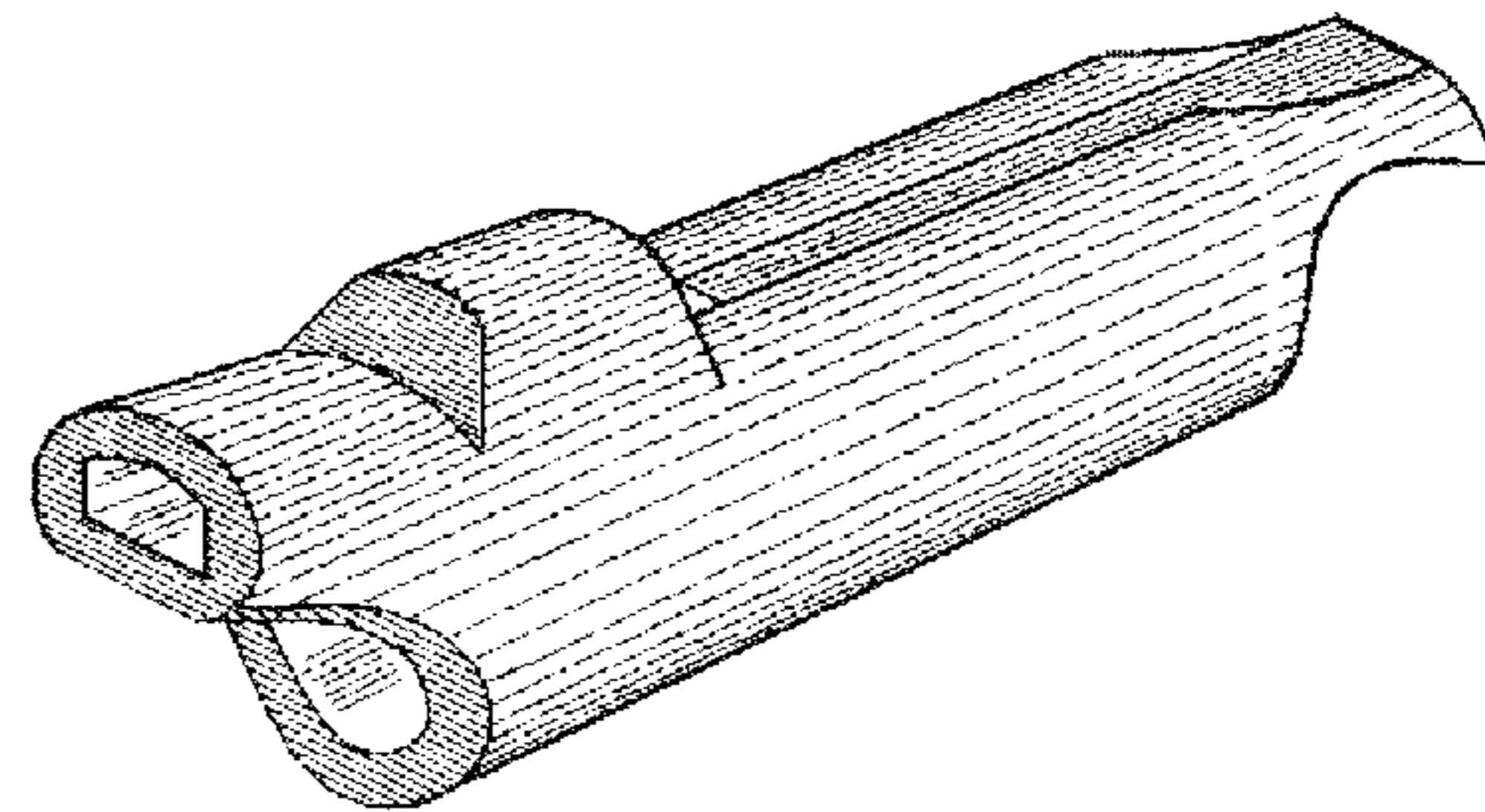
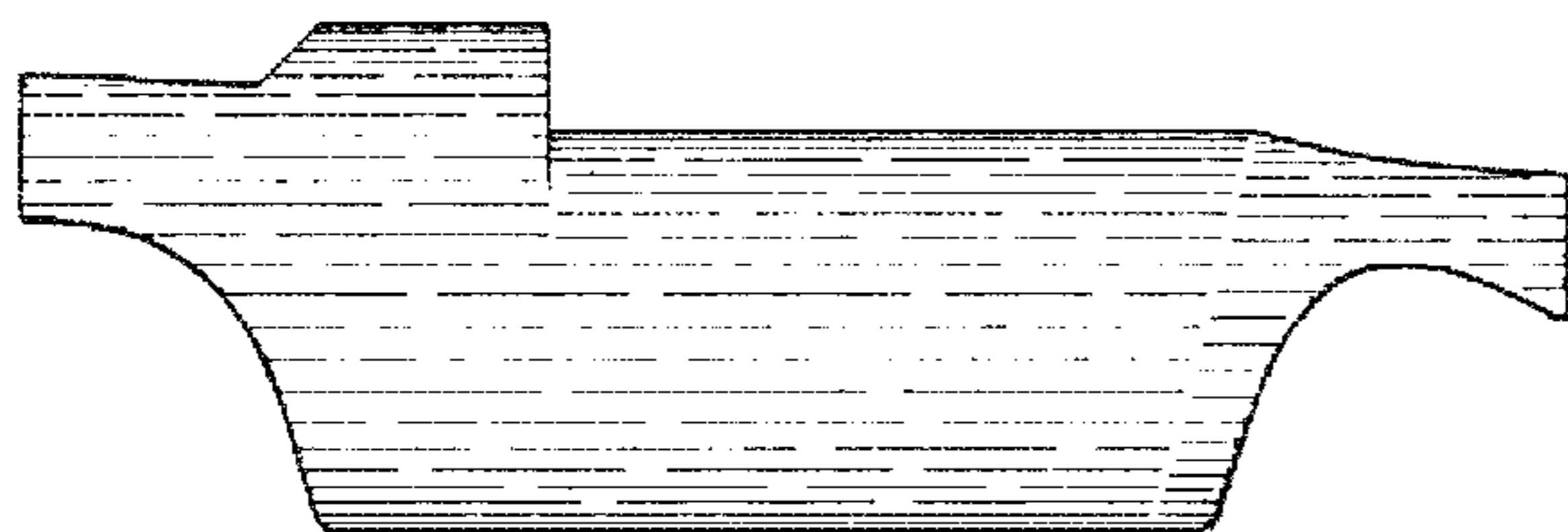
D642,950 S * 8/2011 Barden D10/119.1

FIG. 8 is a right side perspective view of the bird whistle according to the new design.

D679,212 S * 4/2013 Nguyen D10/119.3

* cited by examiner

1 Claim, 2 Drawing Sheets



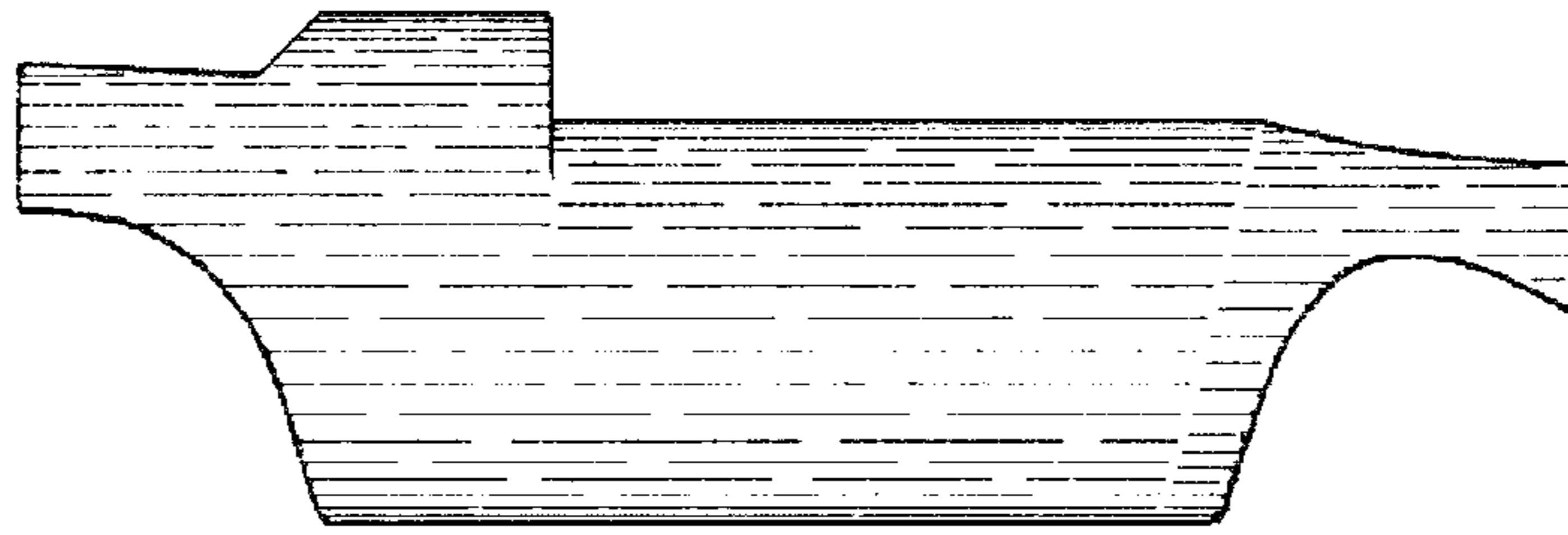


Fig. 1.

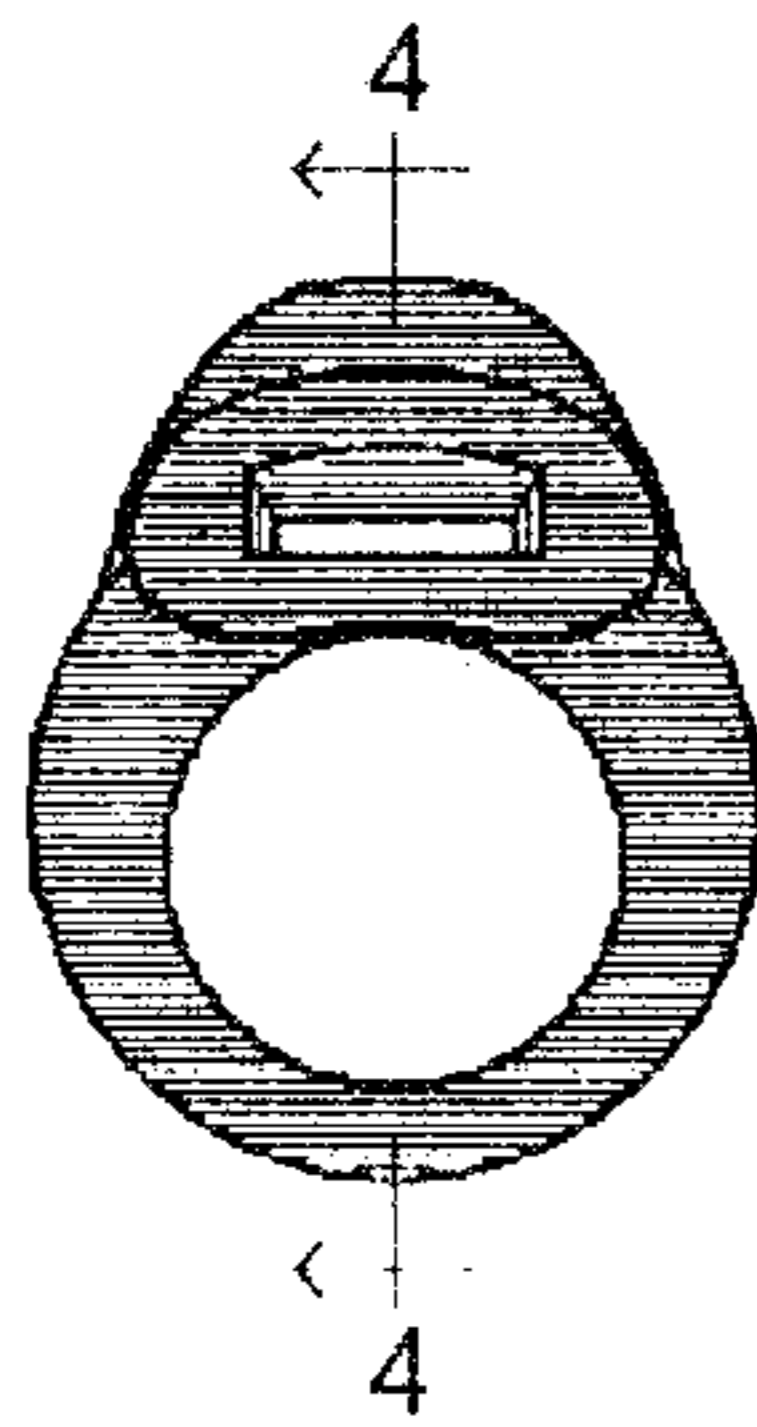


Fig. 3.

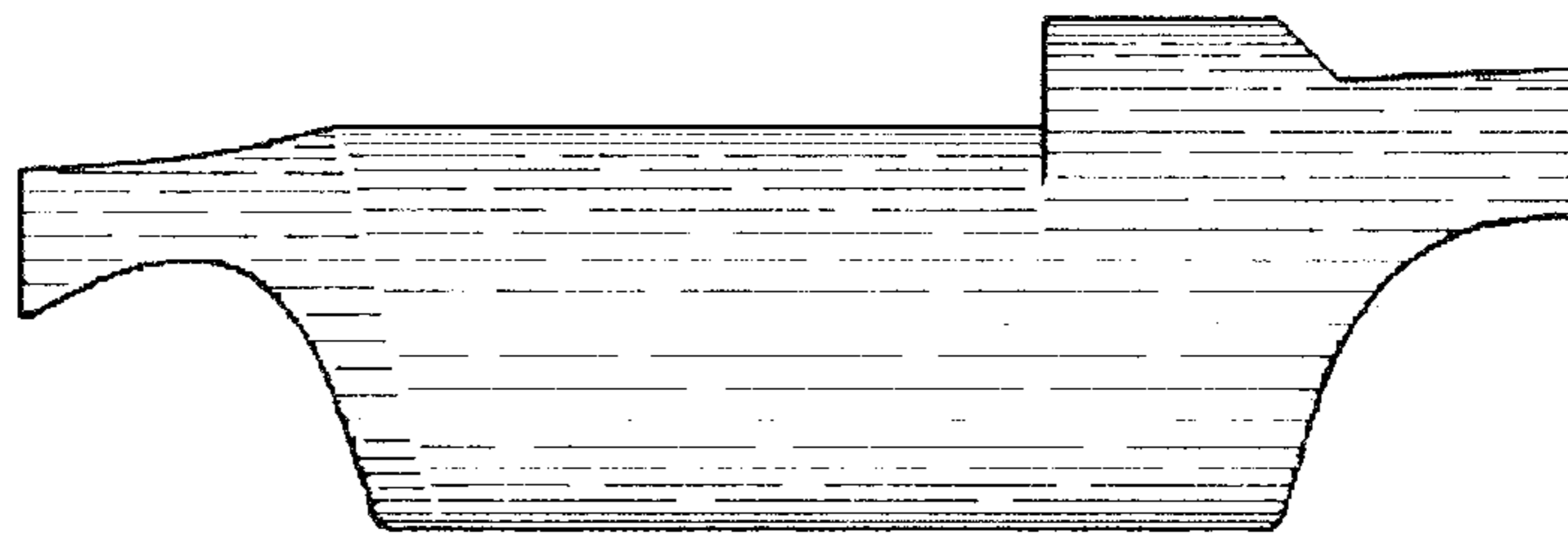


Fig. 2.

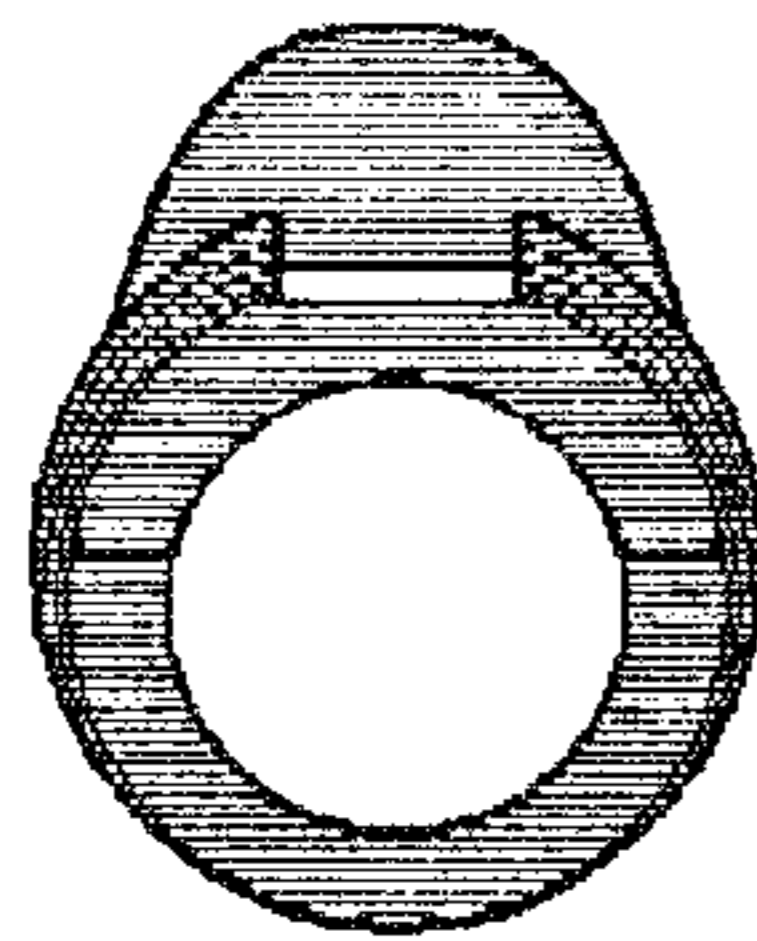


Fig. 4.

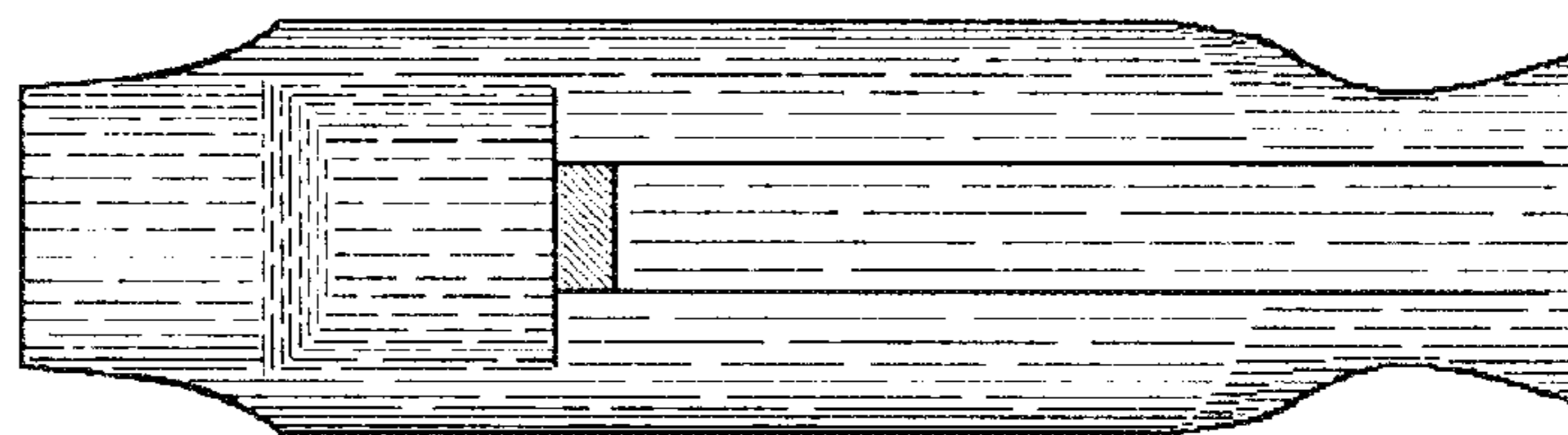


Fig. 5.

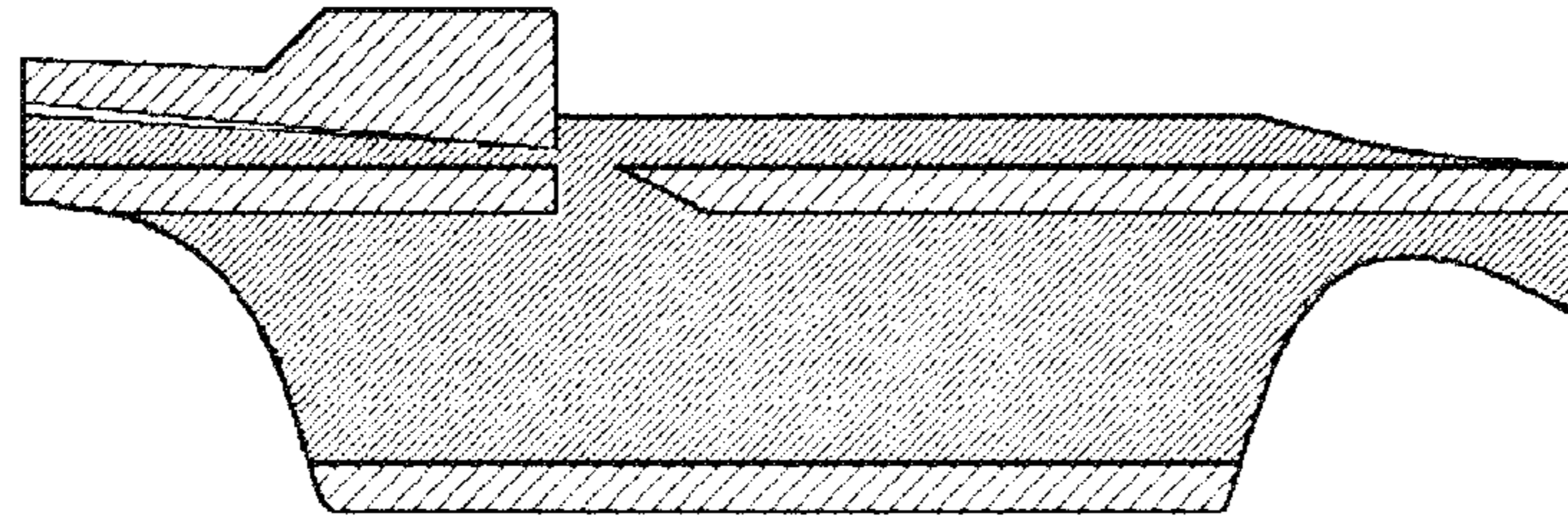


Fig. 6.

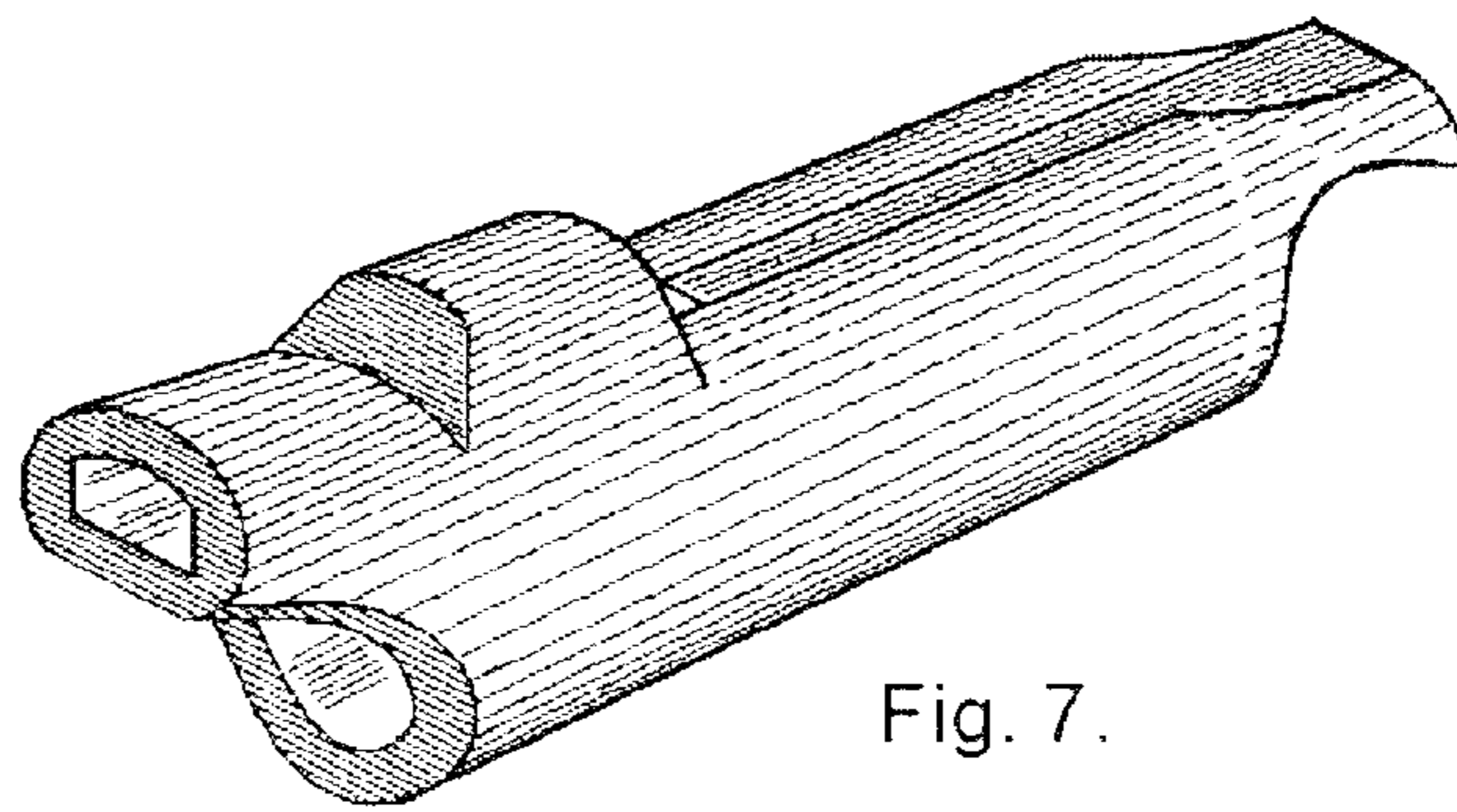


Fig. 7.

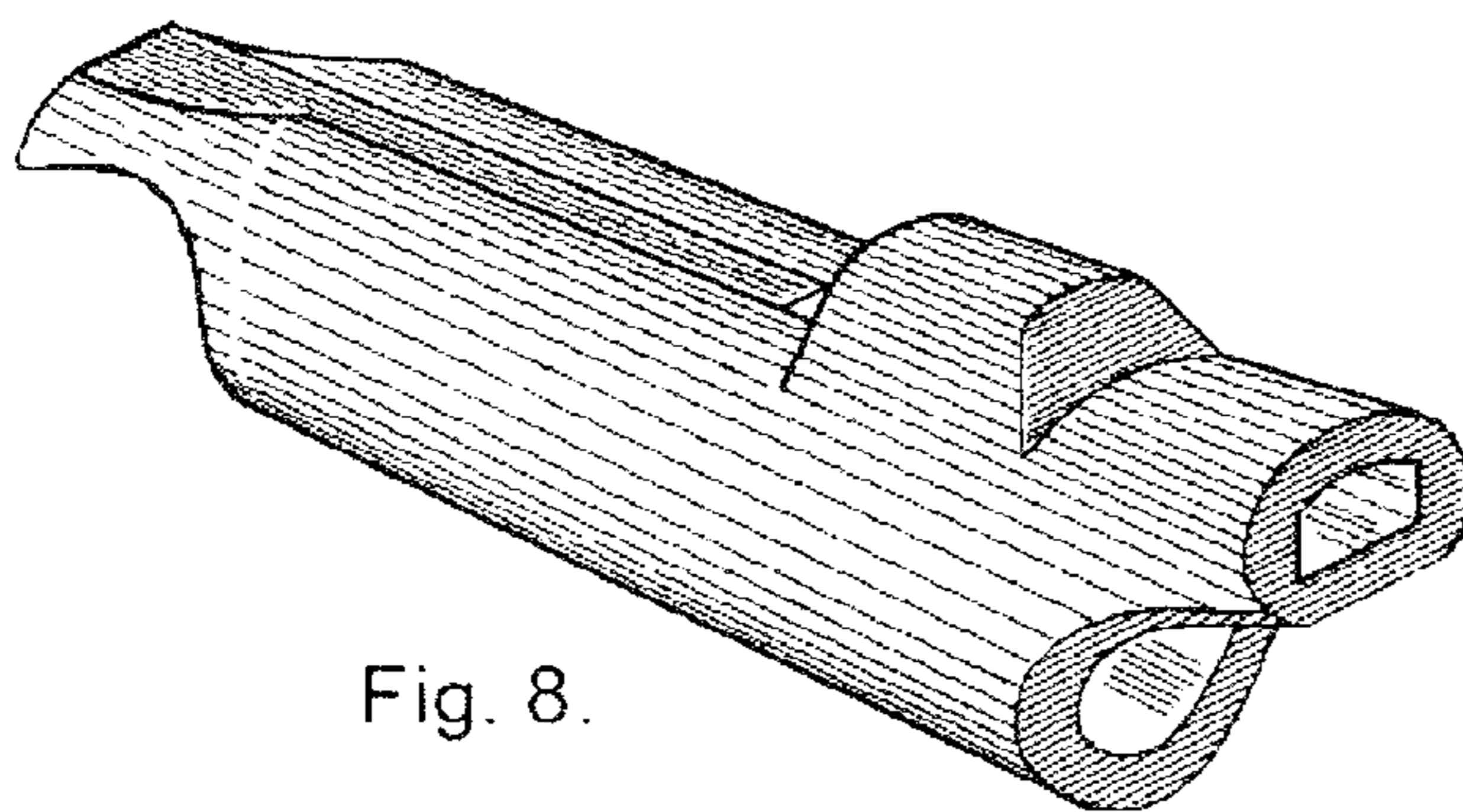


Fig. 8.