



US00D764335S

(12) **United States Design Patent**  
**Thornton et al.**

(10) **Patent No.:** **US D764,335 S**  
(45) **Date of Patent:** **\*\* Aug. 23, 2016**

(54) **MOTION DETECTOR**

(71) Applicant: **Robert Bosch GmbH**, Stuttgart (DE)

(72) Inventors: **James Thornton**, Webster, NY (US);  
**Michael Reimer**, Batavia, NY (US);  
**Craig Peterson**, Penfield, NY (US);  
**Adriaan Van Eyndhoven**, Stuttgart  
(DE)

(73) Assignee: **Robert Bosch GmbH**, Stuttgart (DE)

(\*\*) Term: **14 Years**

(21) Appl. No.: **29/523,772**

(22) Filed: **Apr. 14, 2015**

(51) **LOC (10) Cl.** ..... **10-05**

(52) **U.S. Cl.**

USPC ..... **D10/106.6; D10/65; D10/70**

(58) **Field of Classification Search**

USPC ..... **D10/65, 70, 106.6, 106.7, 106.8**

CPC ..... **G01P 13/0073; G01P 13/008; G01P**

**13/0086; G01P 13/0093; G08B 21/00; G08B**

**21/02; G08B 21/0202; G08B 21/0205; G08B**

**21/0208; G08B 21/0211; G08B 21/0213;**

**G08B 21/0216; G08B 21/0219; G08B**

**21/0222; G08B 21/0225**

See application file for complete search history.

(56) **References Cited**

**U.S. PATENT DOCUMENTS**

D425,534 S \* 5/2000 Mutoh ..... D10/106.1

D434,387 S \* 11/2000 Taylor ..... D10/106.1

D605,963 S \* 12/2009 Kawai ..... D10/104.1

7,733,226 B2 \* 6/2010 Richard ..... G08B 13/186  
250/338.1

7,782,215 B1 \* 8/2010 Knapp, Jr. .... F24B 1/191  
340/517

D628,103 S \* 11/2010 Schmalz ..... D10/106.6

8,123,419 B2 \* 2/2012 Cirker ..... G03B 11/00

					396/427
D666,512	S *	9/2012	Gresko	.....	D10/70
8,258,478	B2 *	9/2012	Walters	.....	G08B 13/193 250/342
8,258,949	B1 *	9/2012	Jaynes	.....	G08B 13/19 340/332
D669,801	S *	10/2012	Vroonen	.....	D10/70
D693,710	S *	11/2013	Bachel	.....	D10/106.6
D707,144	S *	6/2014	Jacobs	.....	D10/106.6
D711,272	S *	8/2014	Reibel	.....	D10/106.7
D723,958	S *	3/2015	Kawai	.....	D10/70

**OTHER PUBLICATIONS**

Honeywell Product photograph disclosed on Jan. 8, 2015 at Consumer Electronics Trade Show (CES), Las Vegas, NV.

\* cited by examiner

*Primary Examiner* — Antoine D Davis

(74) *Attorney, Agent, or Firm* — Michael Best & Friedrich LLP

(57) **CLAIM**

We claim the ornamental design for a motion detector, as shown.

**DESCRIPTION**

FIG. 1 is a right front perspective view of a motion detector showing our new design;

FIG. 2 is a left top perspective view thereof;

FIG. 3 is a left bottom perspective view thereof;

FIG. 4 is a front view thereof;

FIG. 5 is a rear view thereof;

FIG. 6 is a left side view thereof;

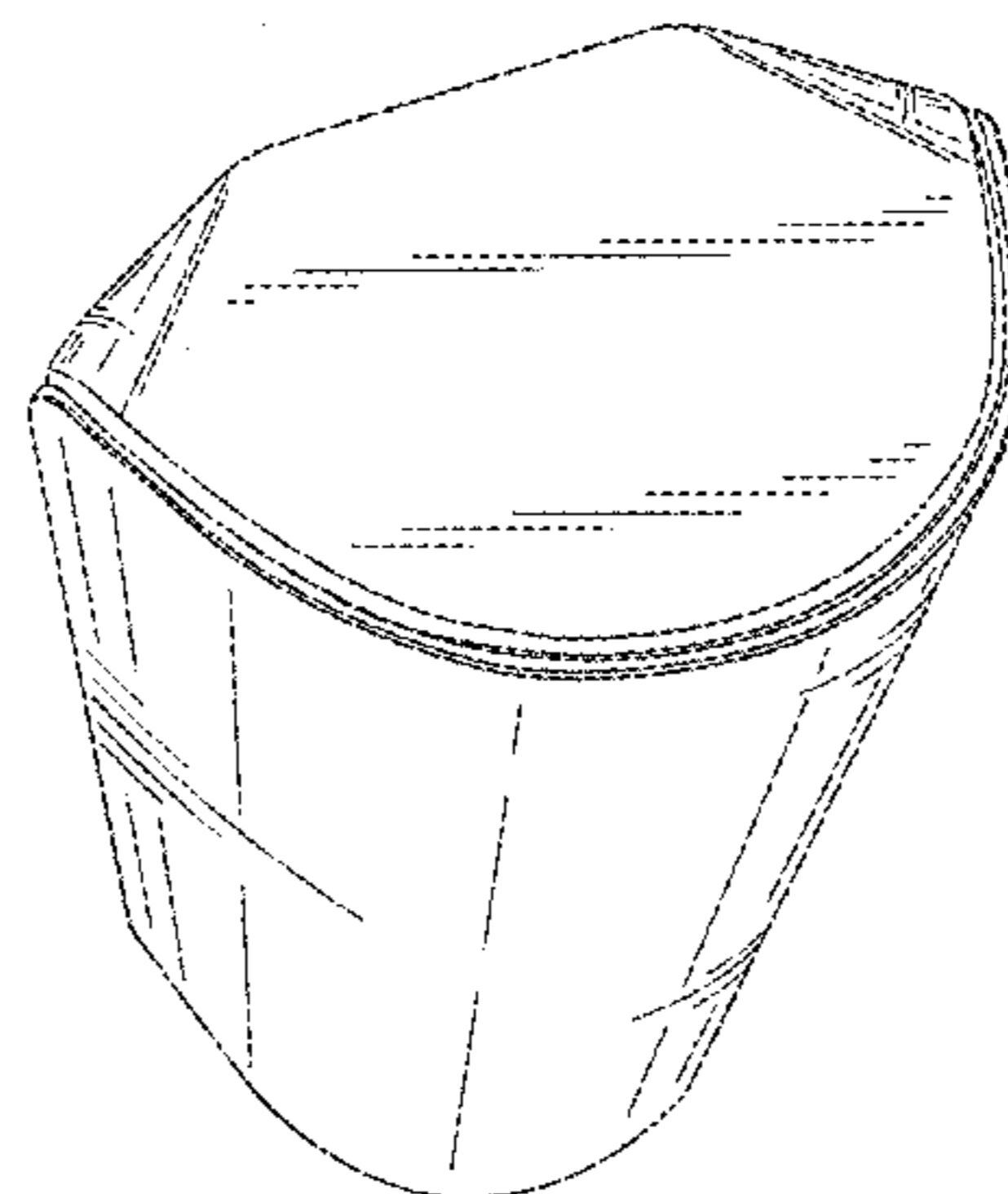
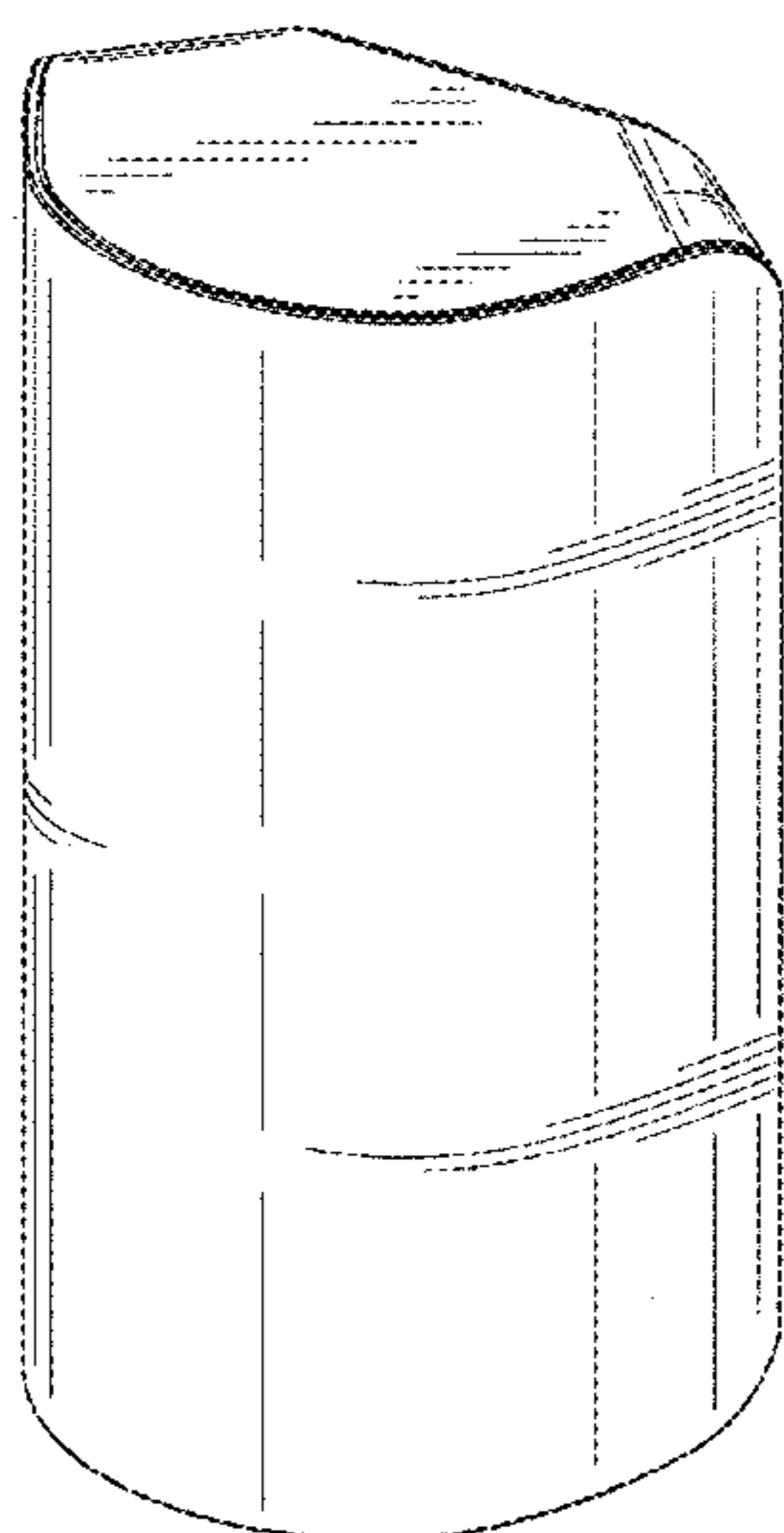
FIG. 7 is a right side view thereof;

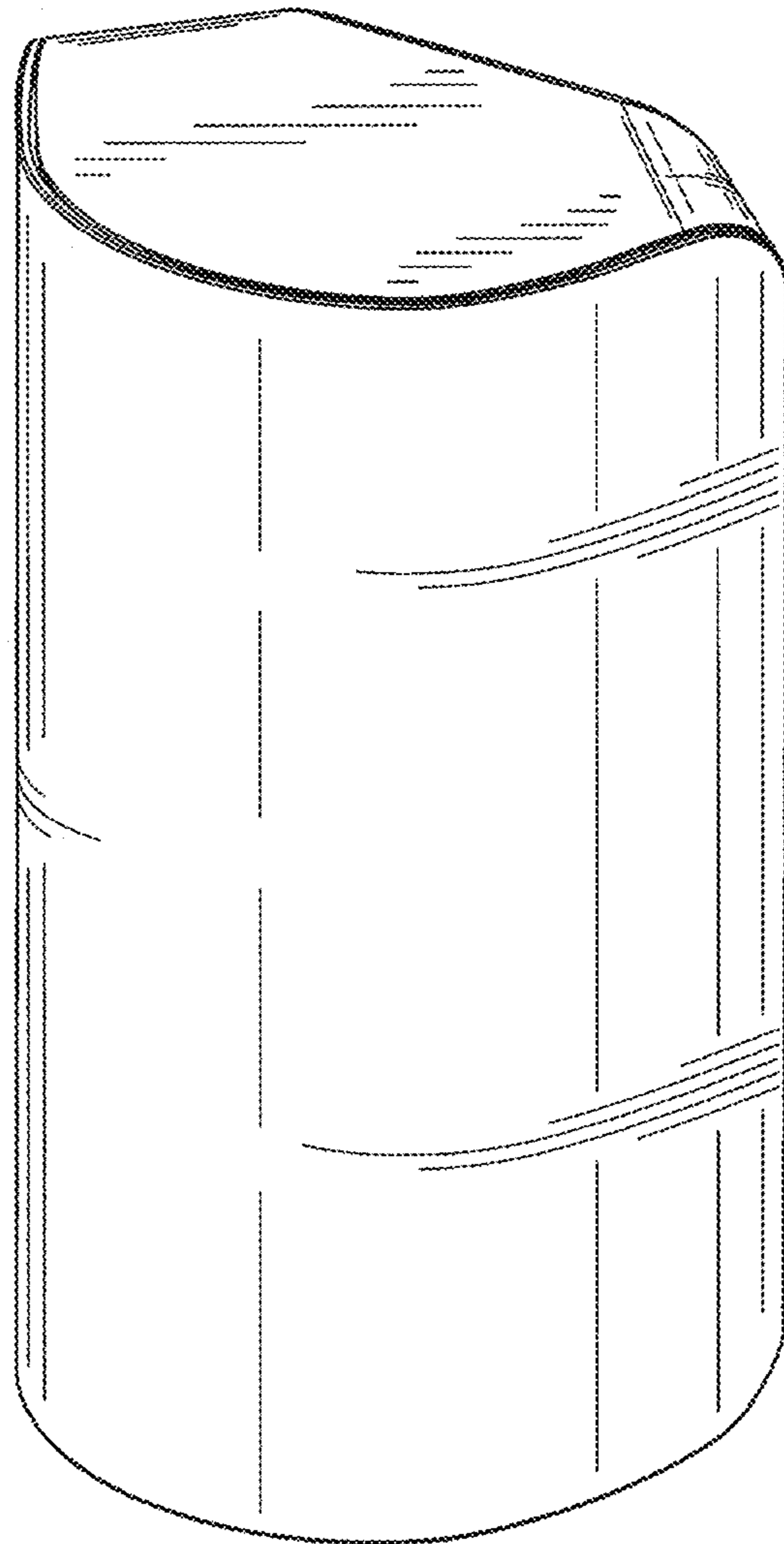
FIG. 8 is a top view thereof; and,

FIG. 9 is a bottom view thereof.

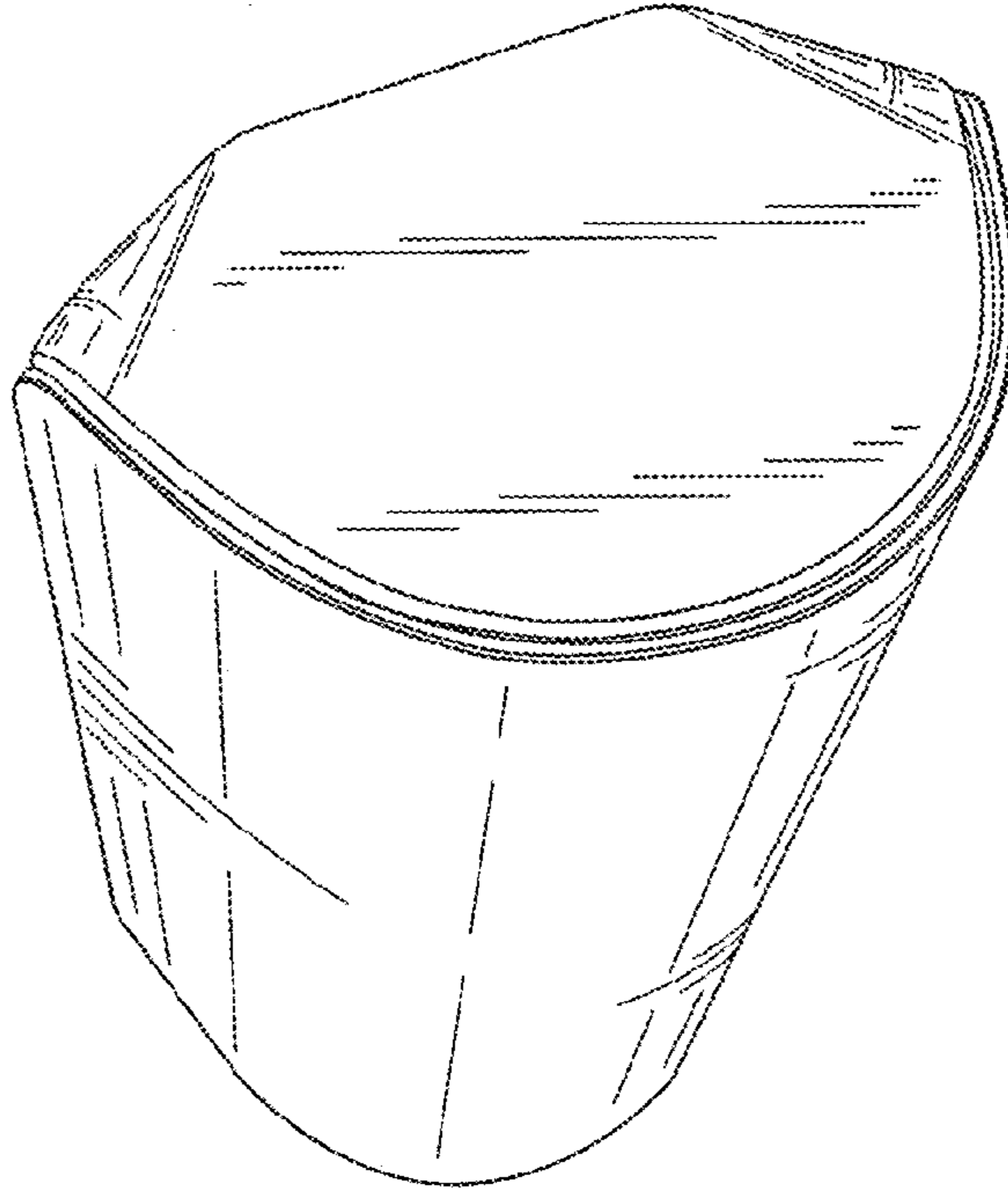
Features of the drawings that are not considered part of the design currently sought to be patented have been shown in broken lines.

**1 Claim, 5 Drawing Sheets**

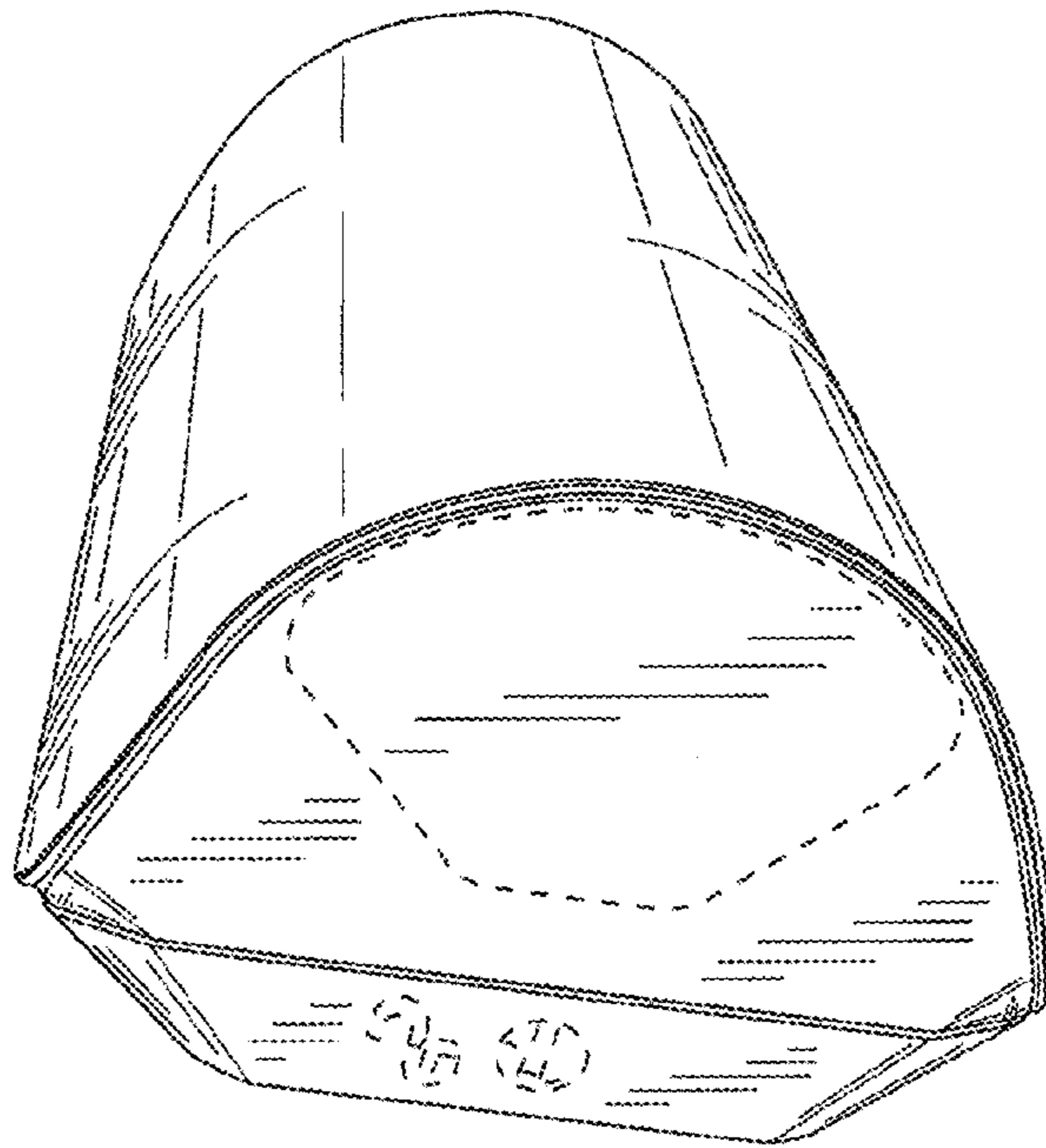




**FIG. 1**



**FIG. 2**



**FIG. 3**

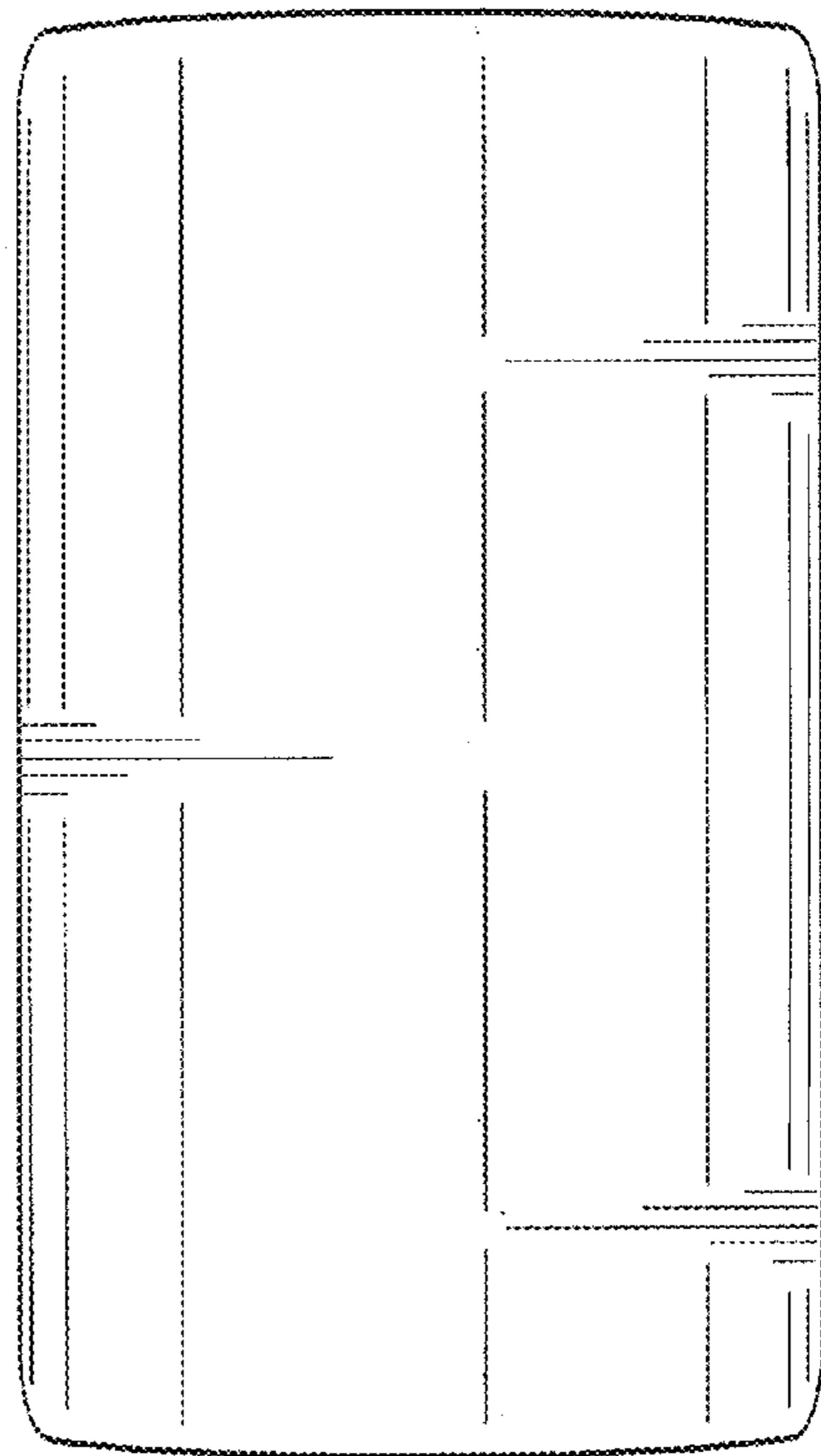


FIG. 4

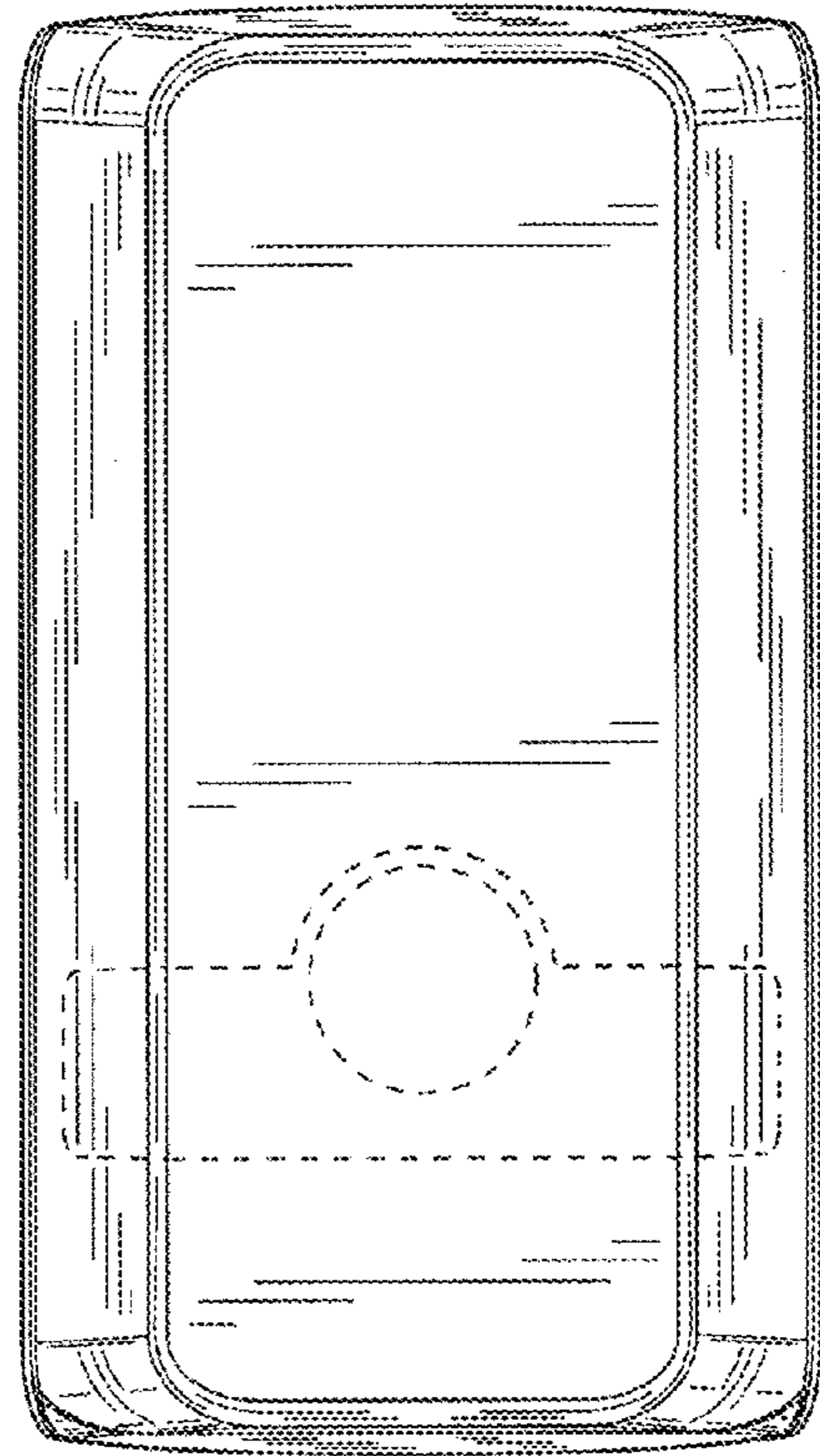


FIG. 5

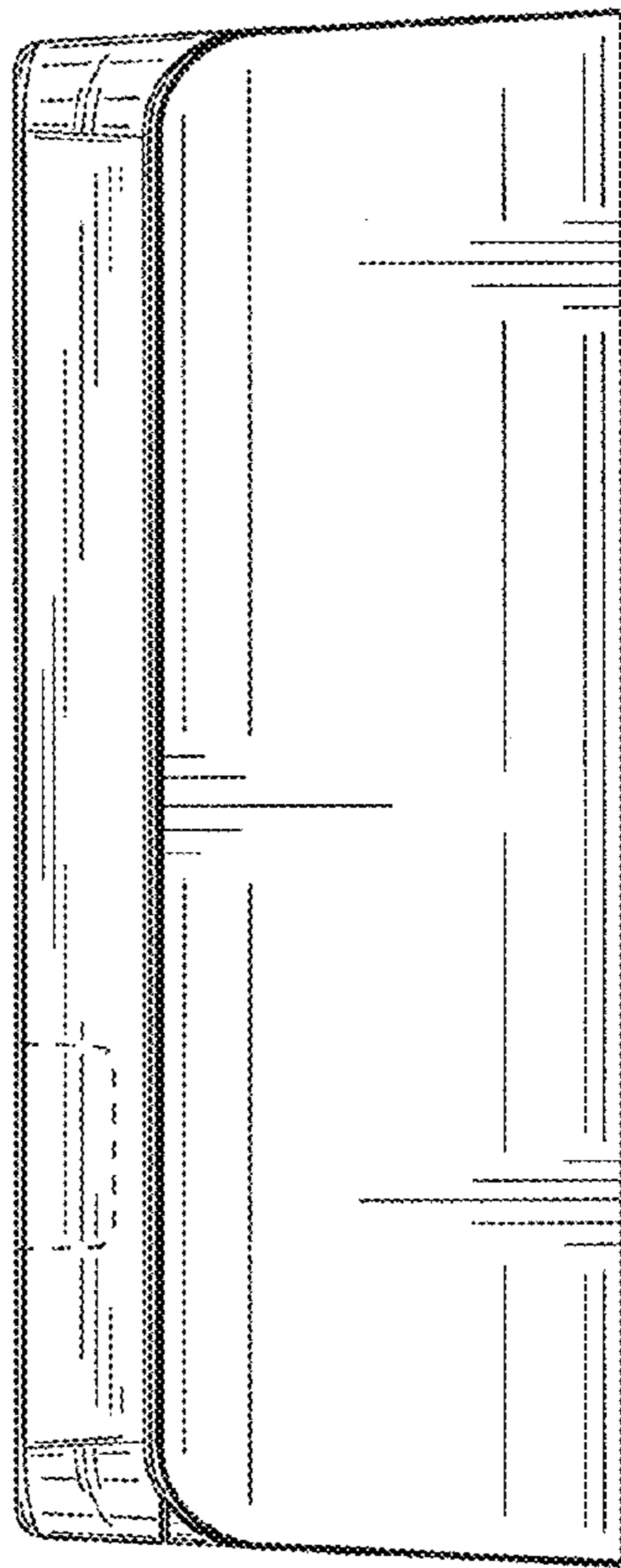


FIG. 6

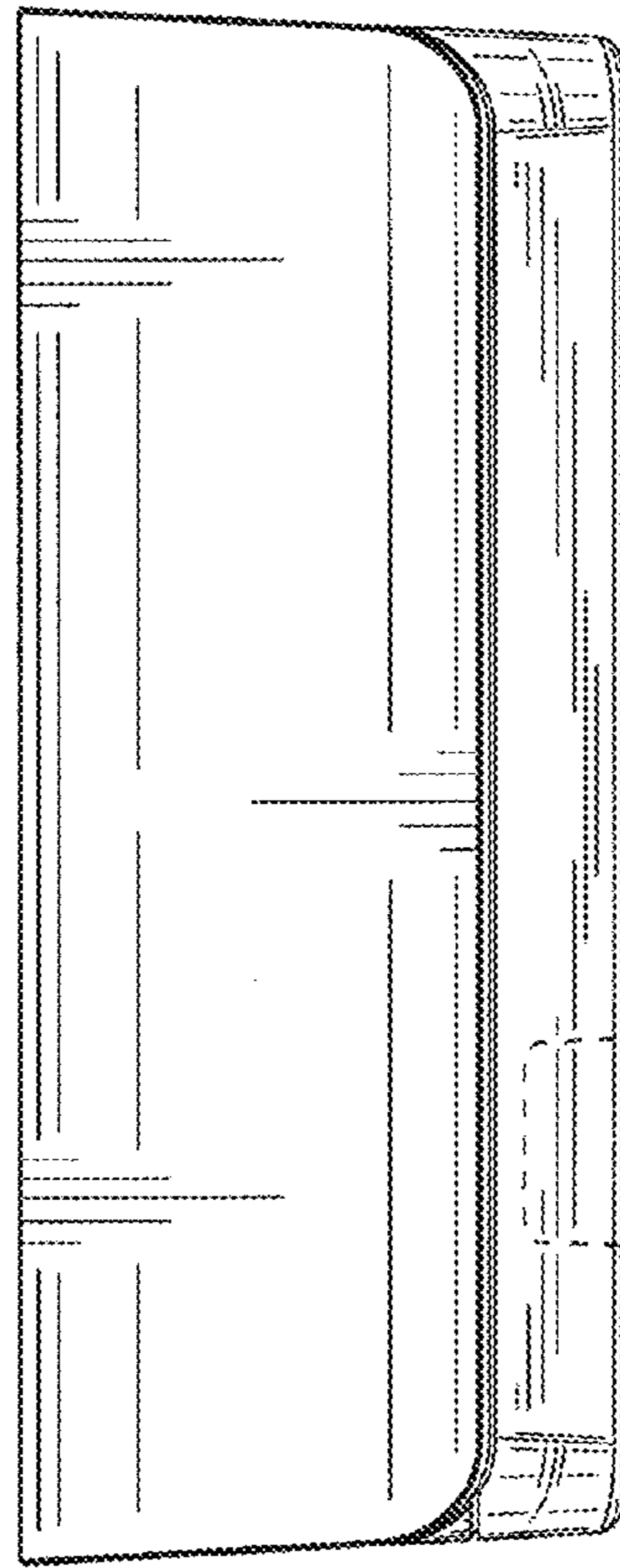
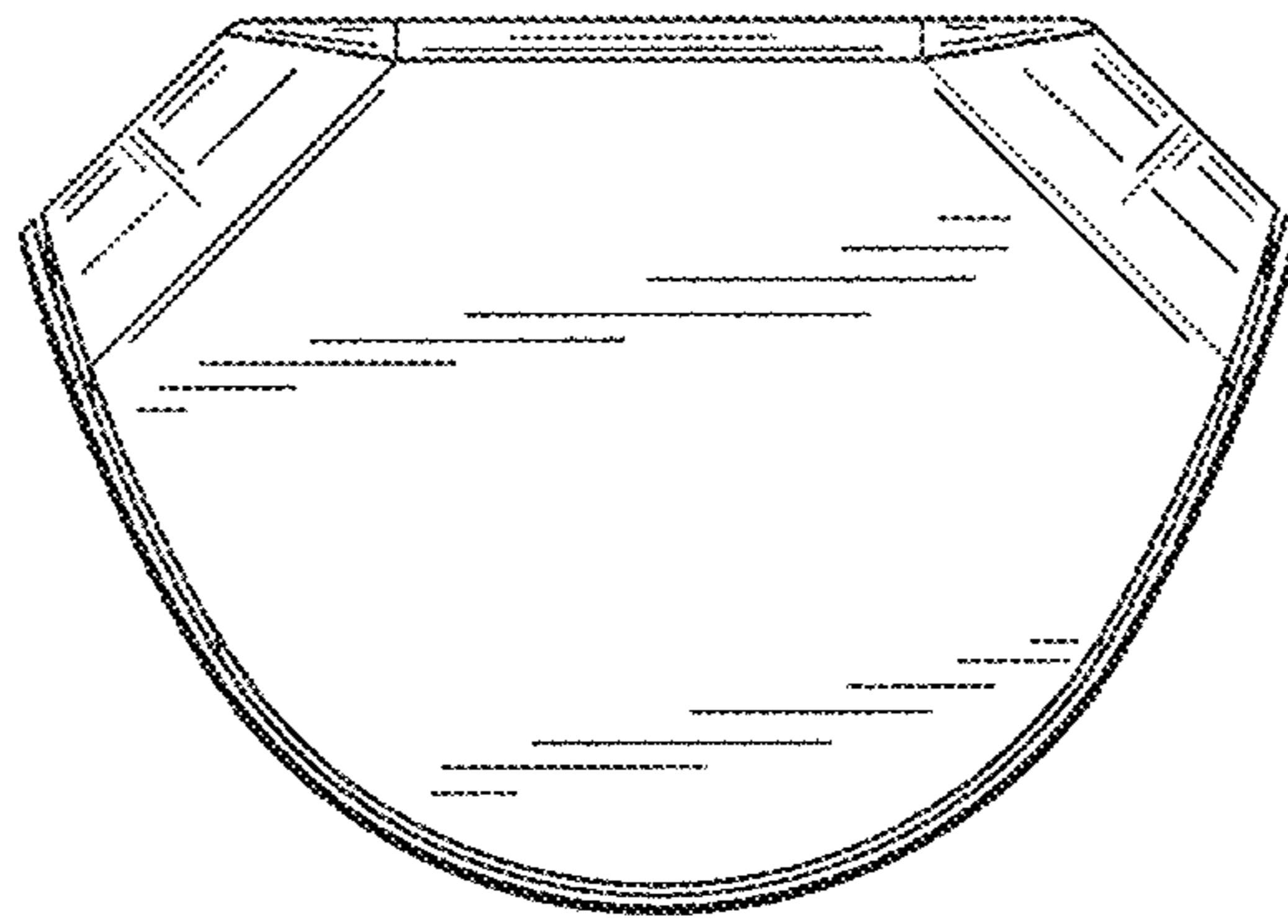
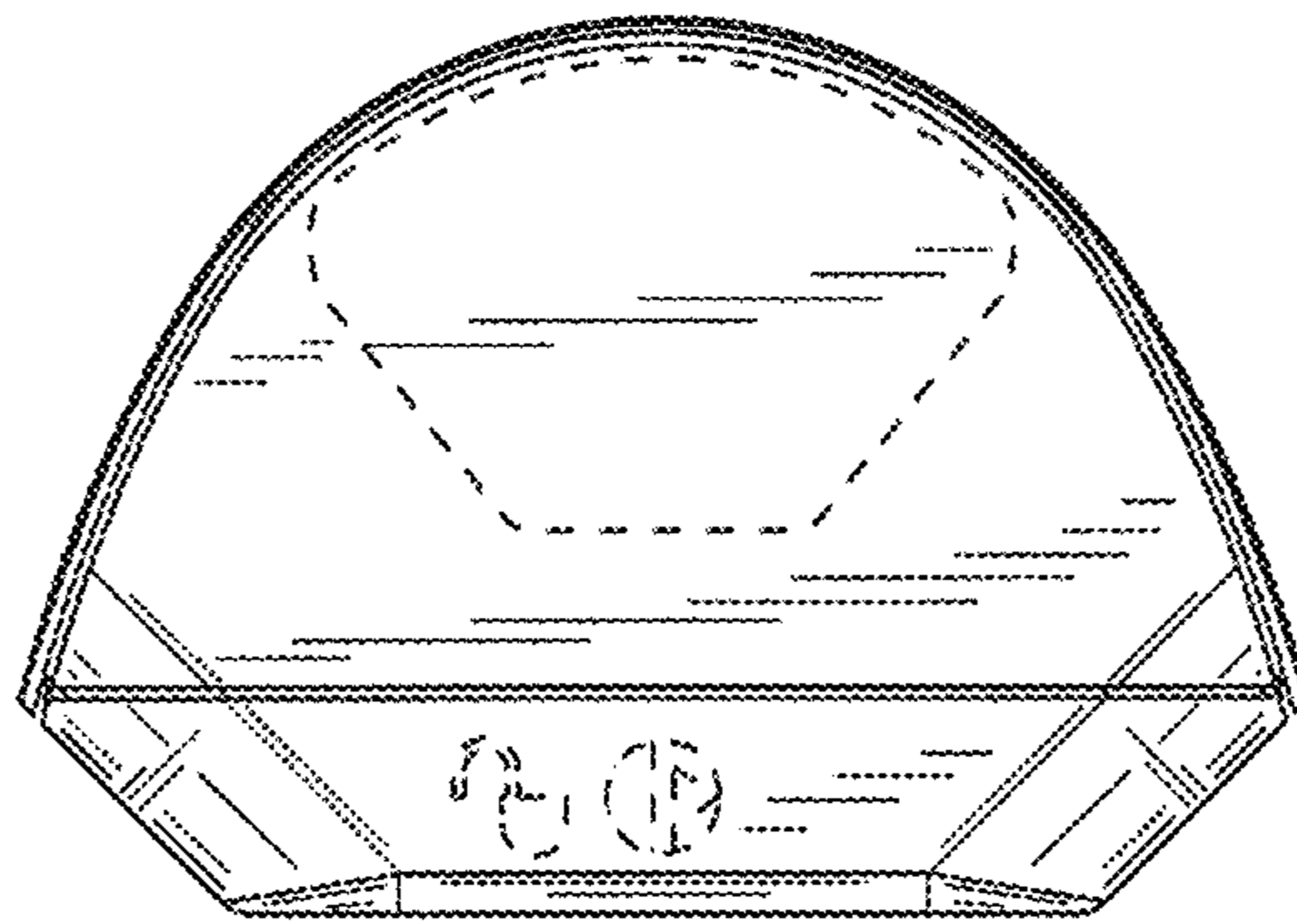


FIG. 7



**FIG. 8**



**FIG. 9**