



US00D764329S

(12) **United States Design Patent**  
**Dewey et al.**

(10) **Patent No.:** **US D764,329 S**

(45) **Date of Patent:** **\*\* Aug. 23, 2016**

(54) **PLUG FOR AND A HANDHELD MAINTENANCE TOOL**

(71) Applicant: **FISHER-ROSEMOUNT SYSTEMS, INC.**, Round Rock, TX (US)

(72) Inventors: **Alan Dewey**, Plymouth, MN (US); **Todd Mitchell Toepke**, Eden Prairie, MN (US); **Tom Johnson**, Rosemount, MN (US)

(73) Assignee: **FISHER-ROSEMOUNT SYSTEMS, INC.**, Round Rock, TX (US)

(\*\*) Term: **14 Years**

(21) Appl. No.: **29/523,409**

(22) Filed: **Apr. 9, 2015**

(51) **LOC (10) Cl.** ..... **10-04**

(52) **U.S. Cl.**  
USPC ..... **D10/78; D10/46**

(58) **Field of Classification Search**  
USPC ..... **D10/46, 75-78, 83-86**  
CPC ..... **G05B 19/0428; G05B 19/409; G05B 19/048; G05B 19/4093; G05B 2219/36159; G05B 2219/23406; G05B 2219/25428; G05B 2219/24054; G05B 2219/23244; G05B 2219/24056; G05B 2219/24058; G05B 2219/24084**

See application file for complete search history.

(56) **References Cited**

**U.S. PATENT DOCUMENTS**

D510,533 S \* 10/2005 Hoofnagle ..... D10/78  
D563,810 S \* 3/2008 Gershfeld ..... D10/78  
8,788,137 B2 \* 7/2014 Bertosa ..... G05B 19/0428  
701/29.1

D714,171 S \* 9/2014 Hoofnagle ..... D10/78

\* cited by examiner

*Primary Examiner* — Antoine D Davis

(74) *Attorney, Agent, or Firm* — Marshall, Gerstein & Borun LLP

(57) **CLAIM**

The ornamental design for a plug for and a handheld maintenance tool, as shown and described.

**DESCRIPTION**

FIG. 1 is a front, right-side, and top view of a plug that has the design.

FIG. 2 is a front view of the plug.

FIG. 3 is a right-side view of the plug.

FIG. 4 is a rear view of the plug.

FIG. 5 is a left-side view of the plug.

FIG. 6 is a top view of the plug.

FIG. 7 is a bottom view of the plug.

FIG. 8 is a front, right-side, and top view of a handheld maintenance tool that has the design.

FIG. 9 is a front view of the handheld maintenance tool.

FIG. 10 is a right-side view of the handheld maintenance tool.

FIG. 11 is a rear view of the handheld maintenance tool.

FIG. 12 is a left-side view of the handheld maintenance tool.

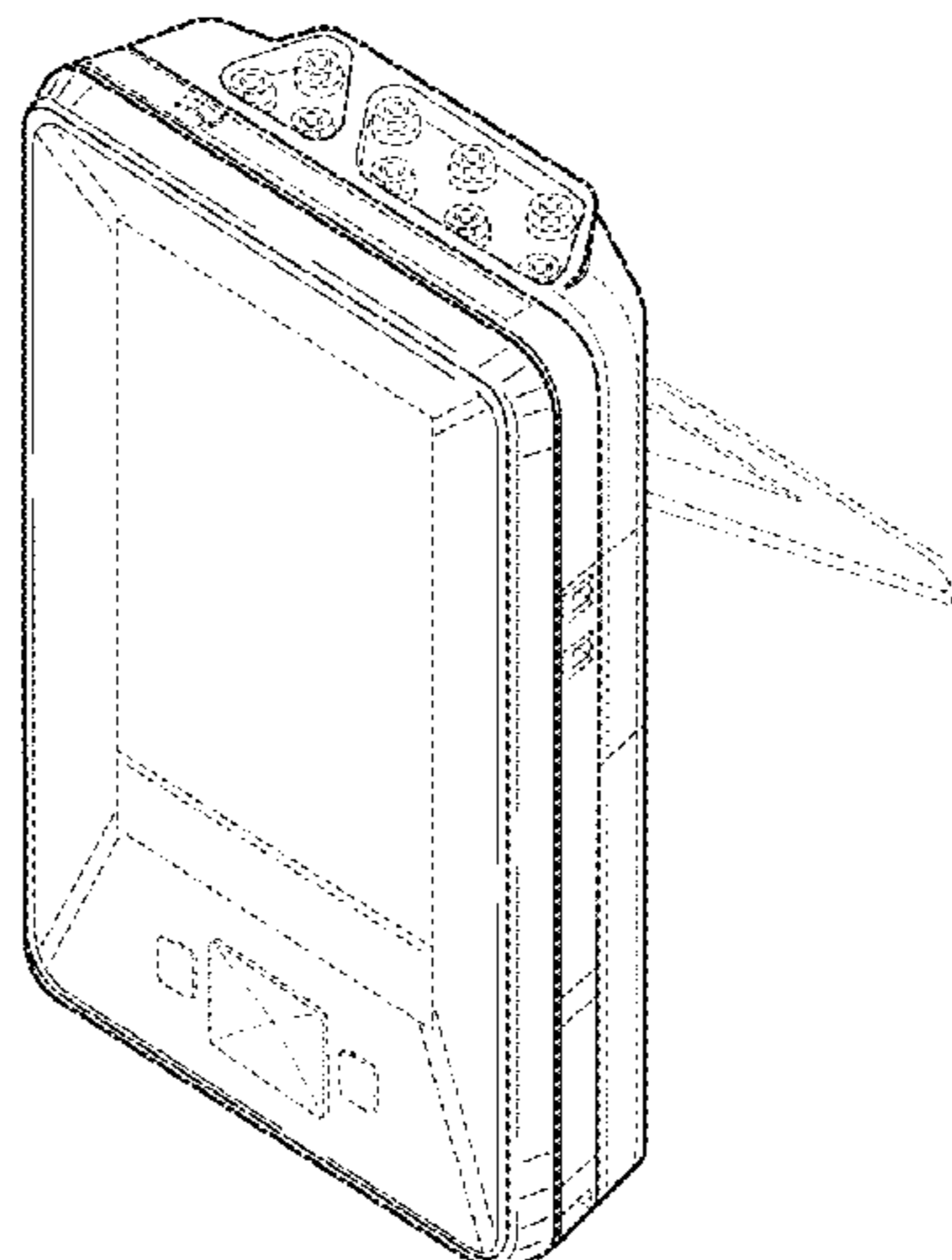
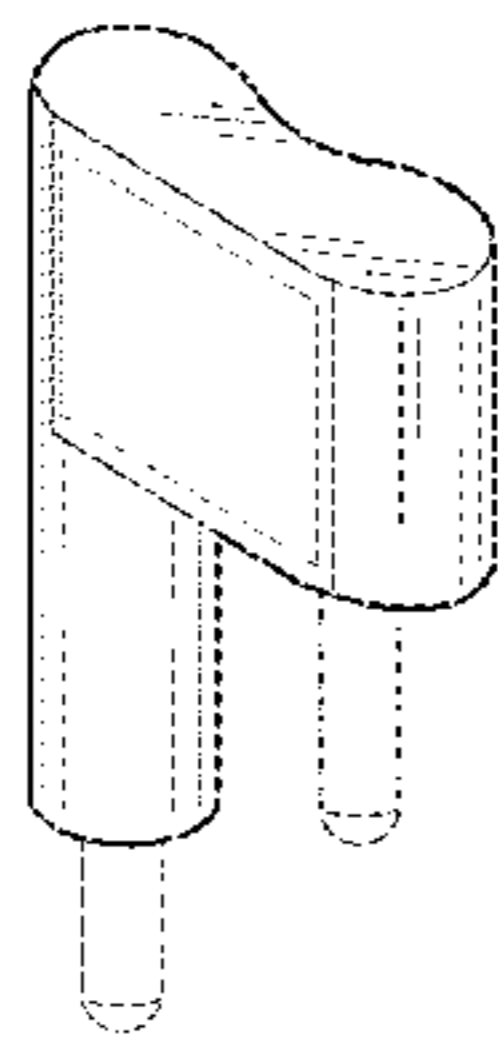
FIG. 13 is a top view of the handheld maintenance tool; and,

FIG. 14 is a bottom view of the handheld maintenance tool.

The plug portion and handheld instrument portion of the plug for and a handheld maintenance tool, have been shown separate and apart for ease of illustration.

The broken lines represent elements of the plug for and a handheld maintenance tool that form no part of the claimed design.

**1 Claim, 8 Drawing Sheets**



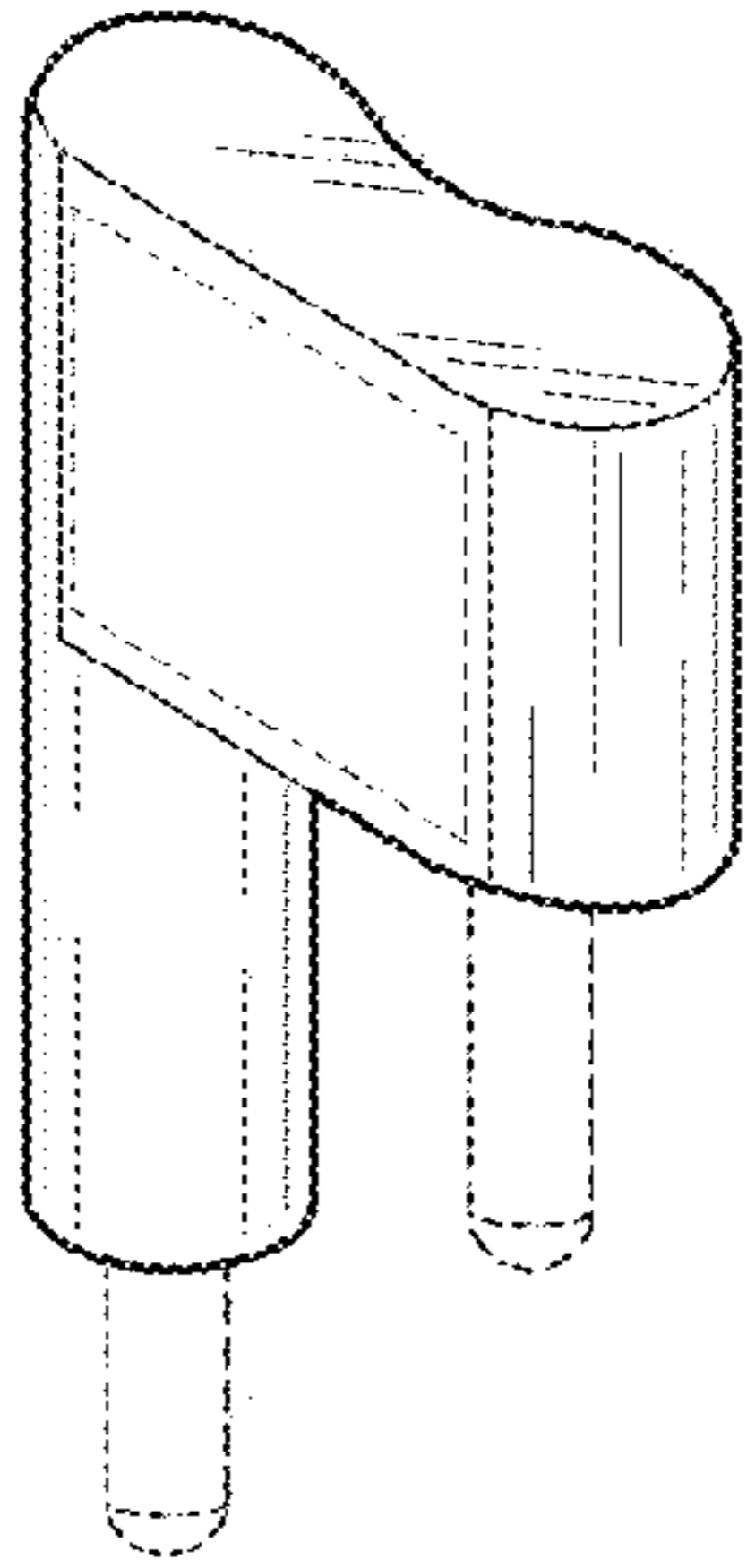


FIG. 1

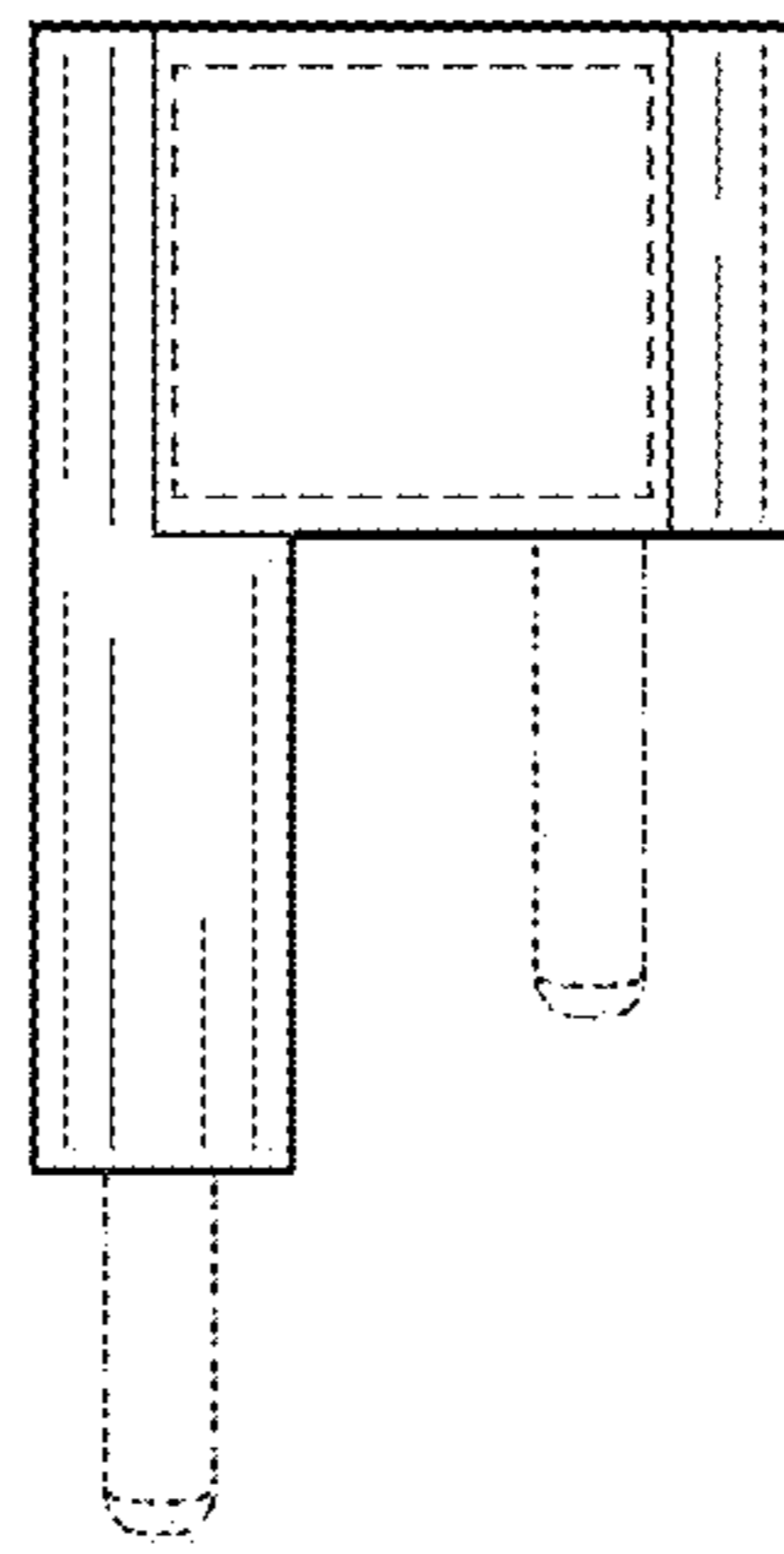


FIG. 2

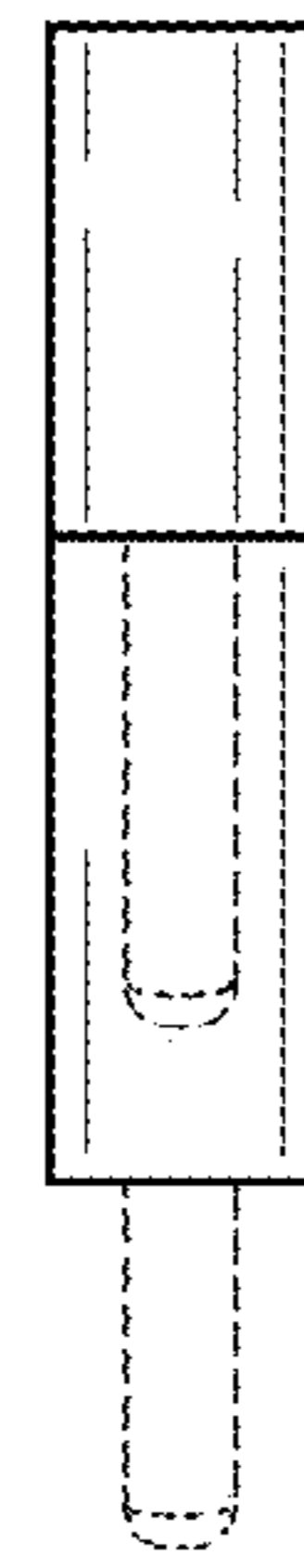


FIG. 3

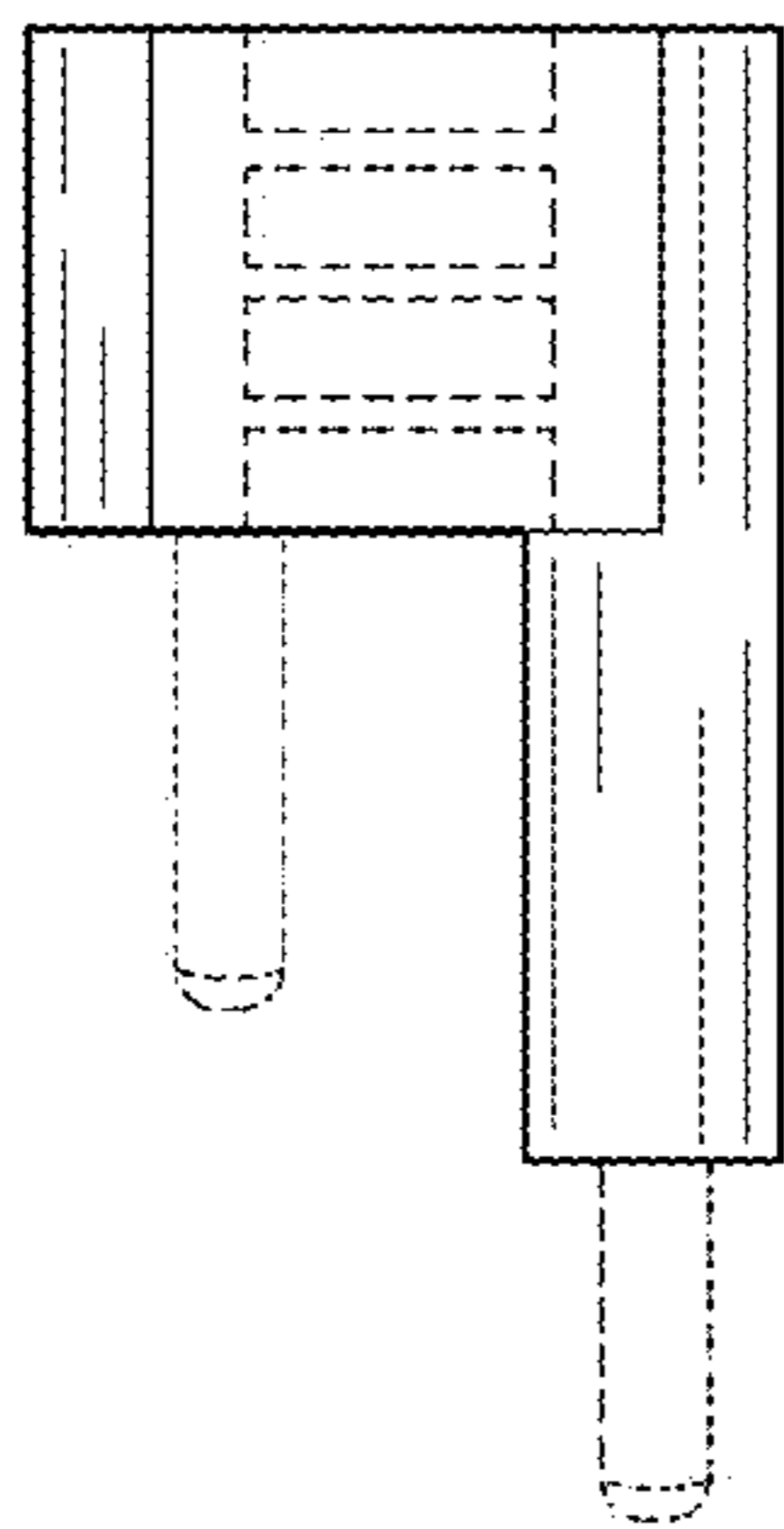


FIG. 4

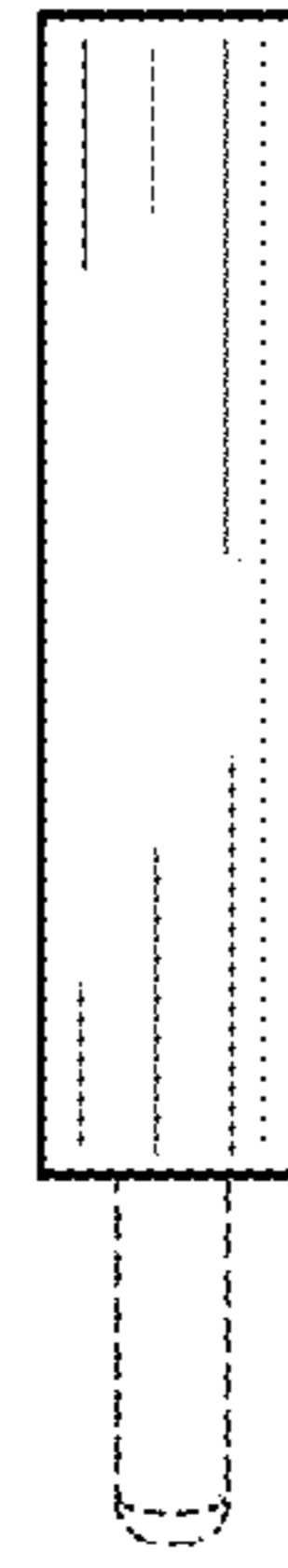


FIG. 5

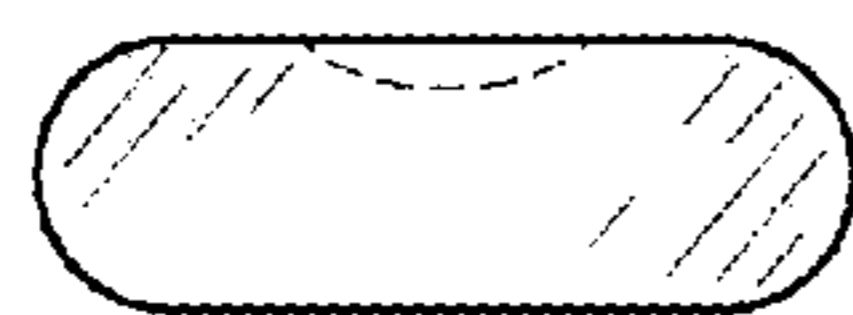


FIG. 6



FIG. 7

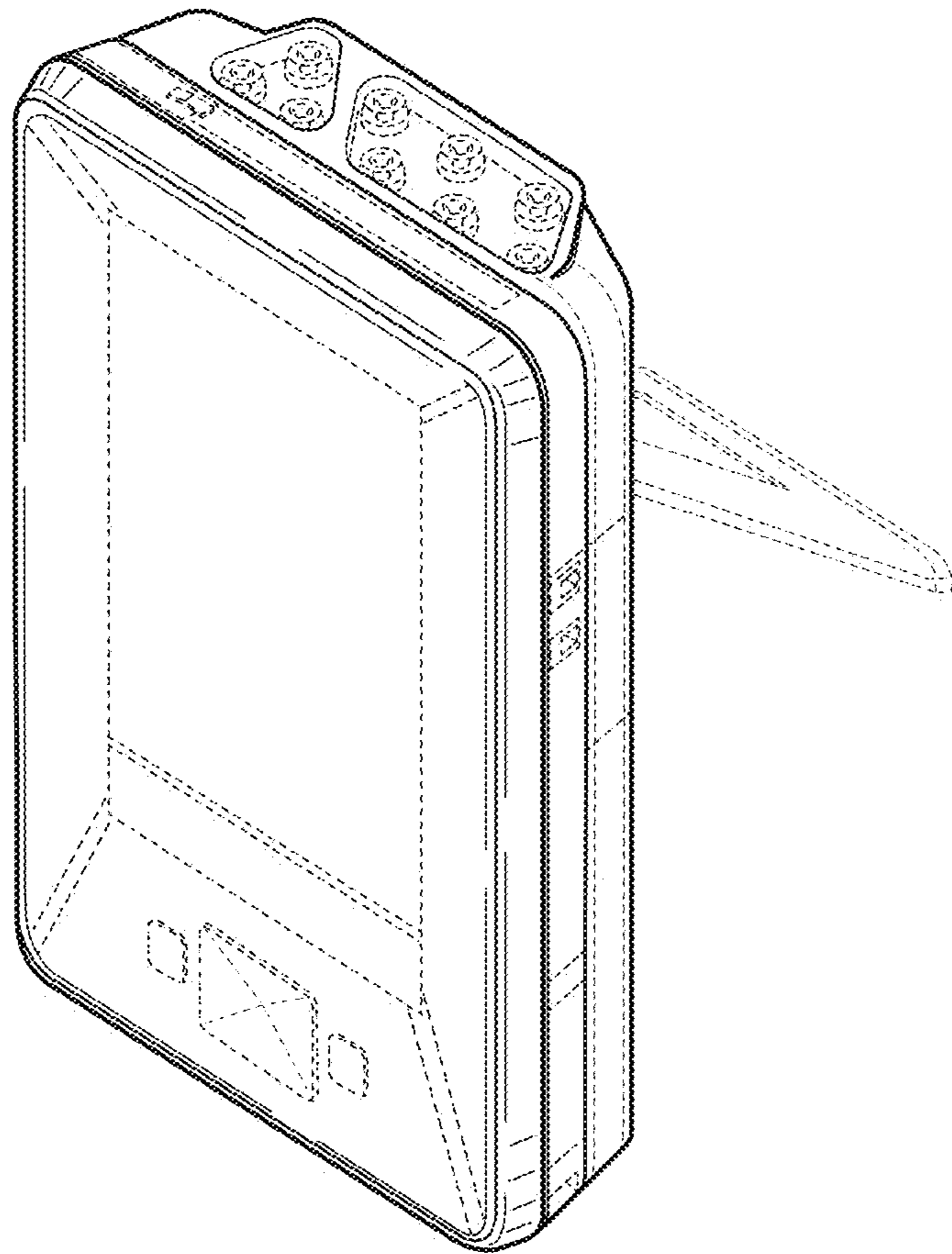


FIG. 8

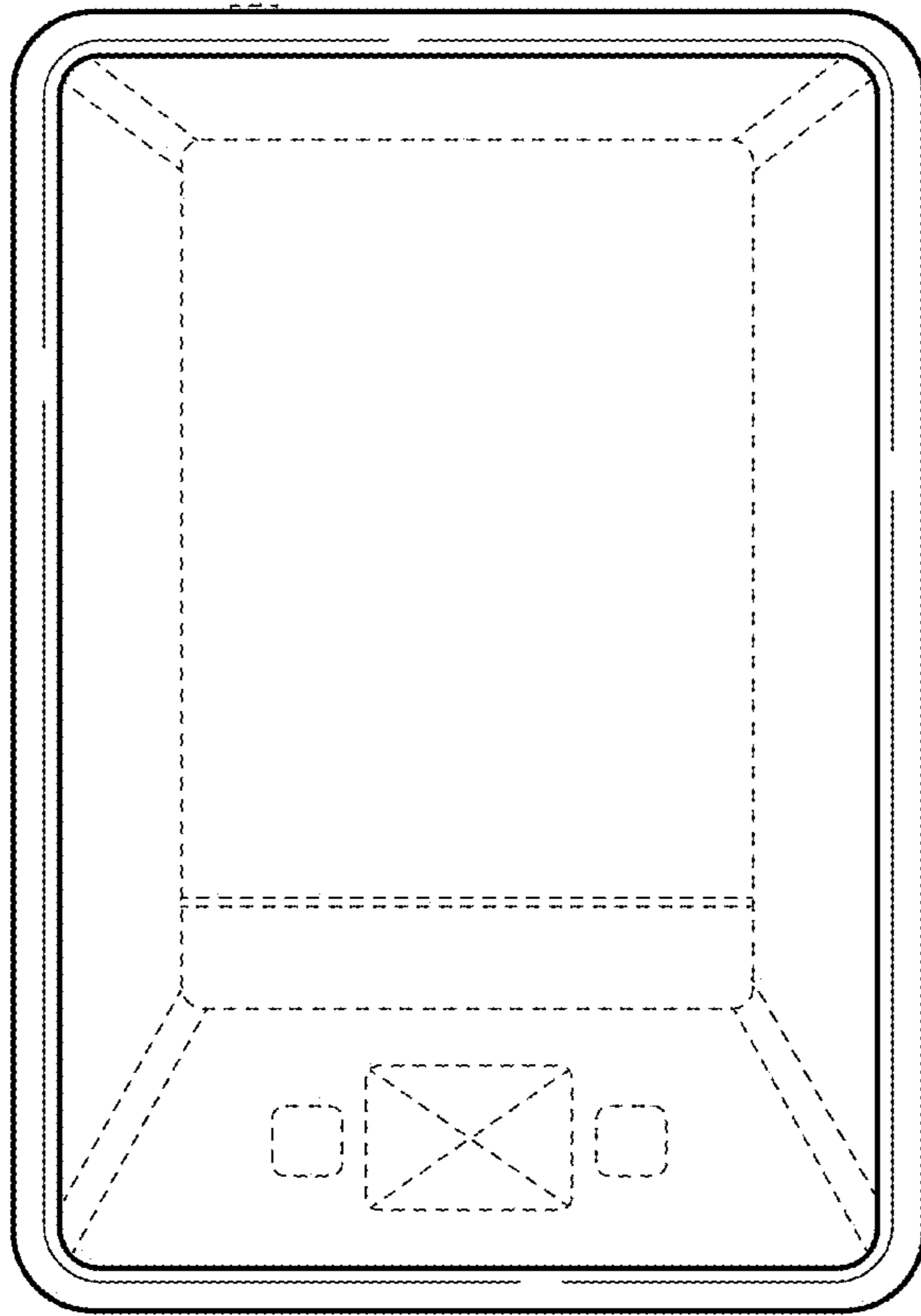


FIG. 9

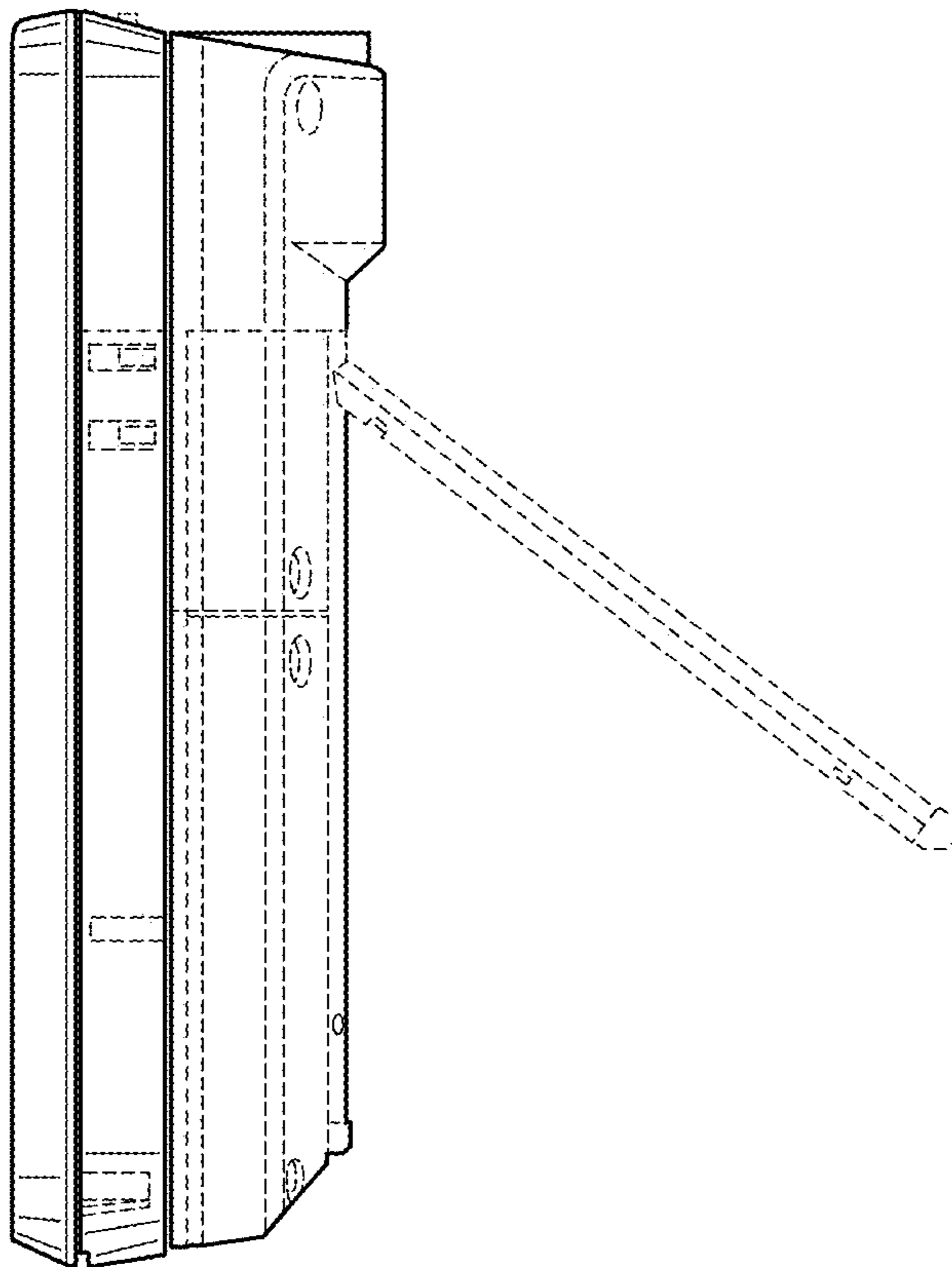


FIG. 10

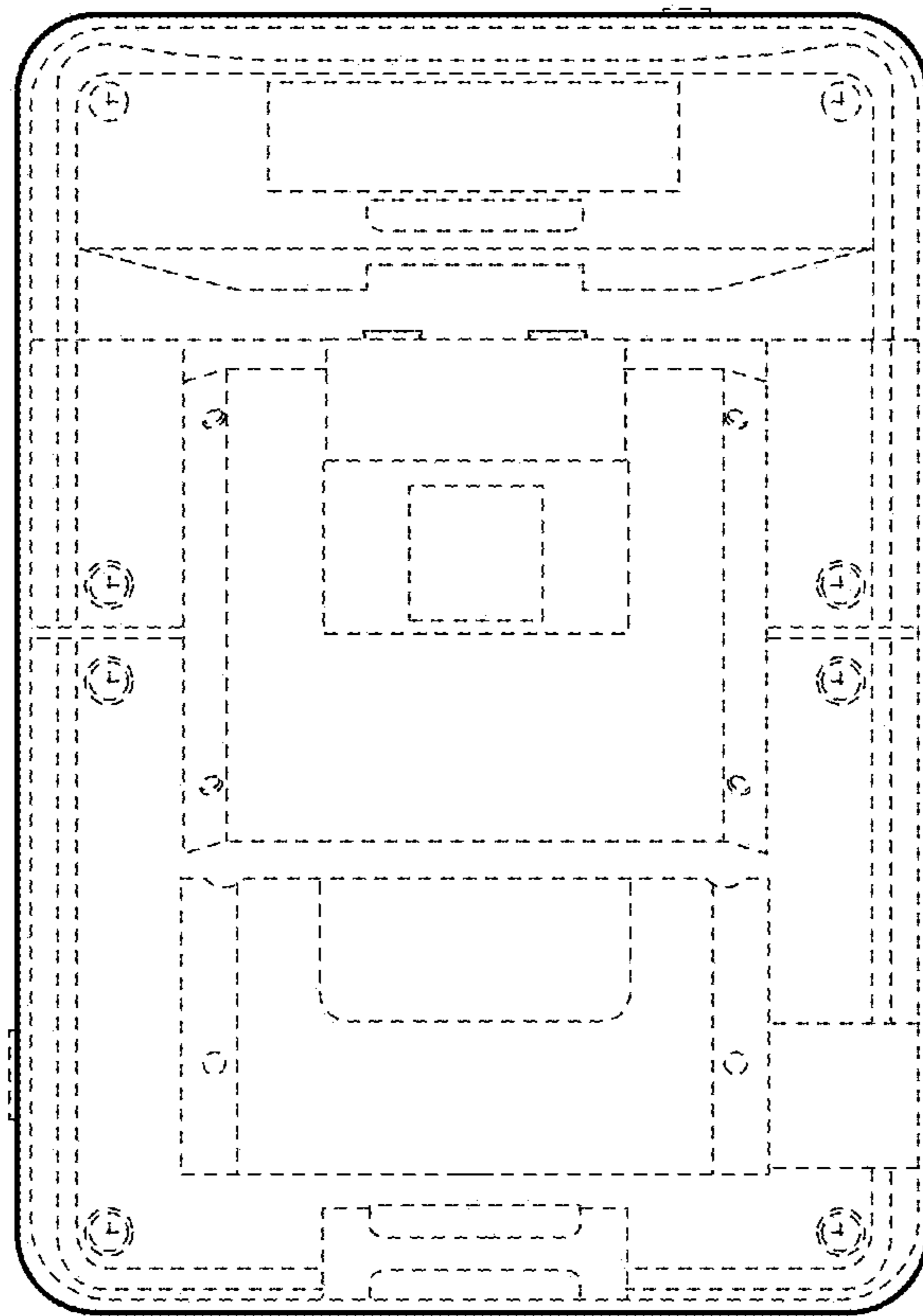


FIG. 11

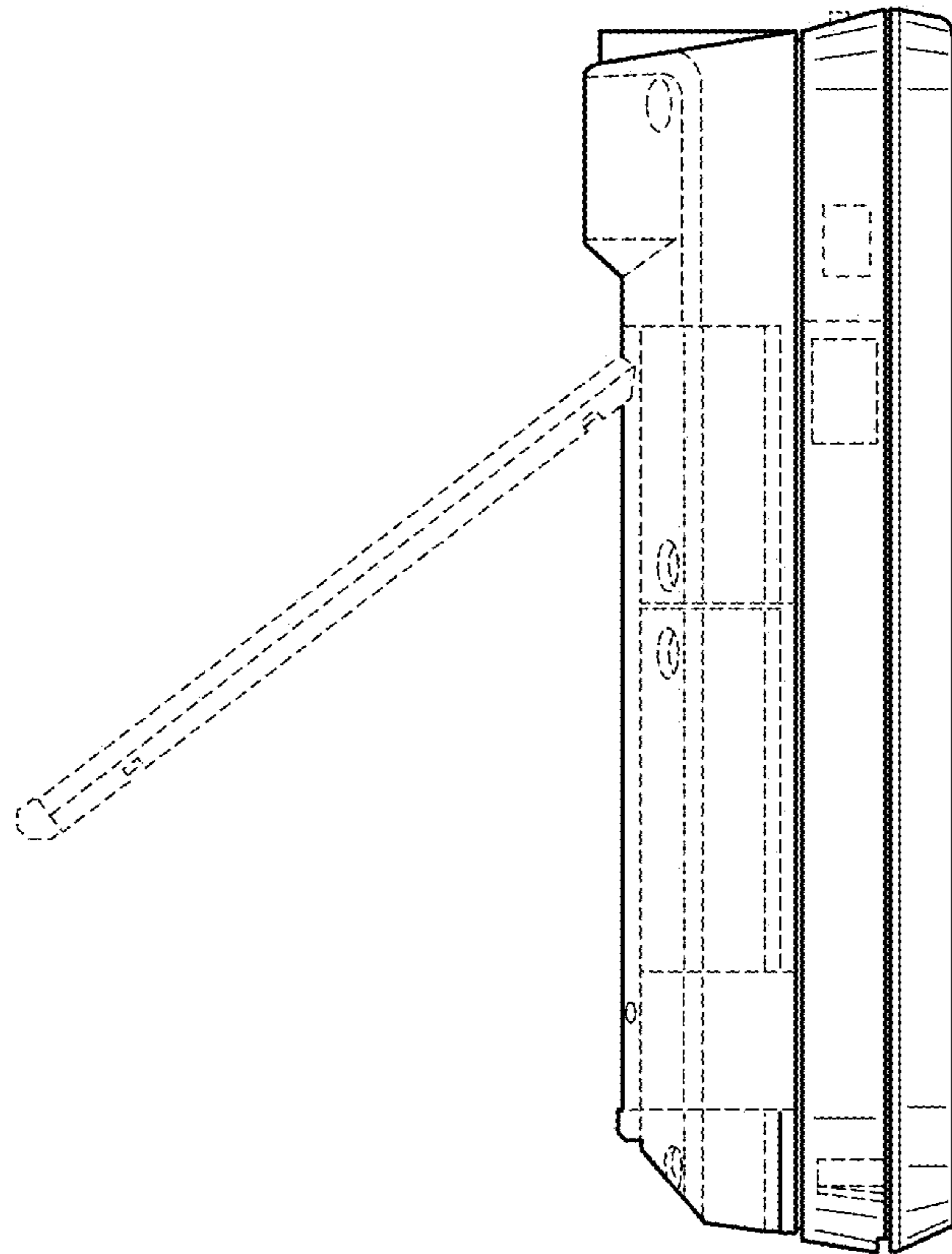


FIG. 12

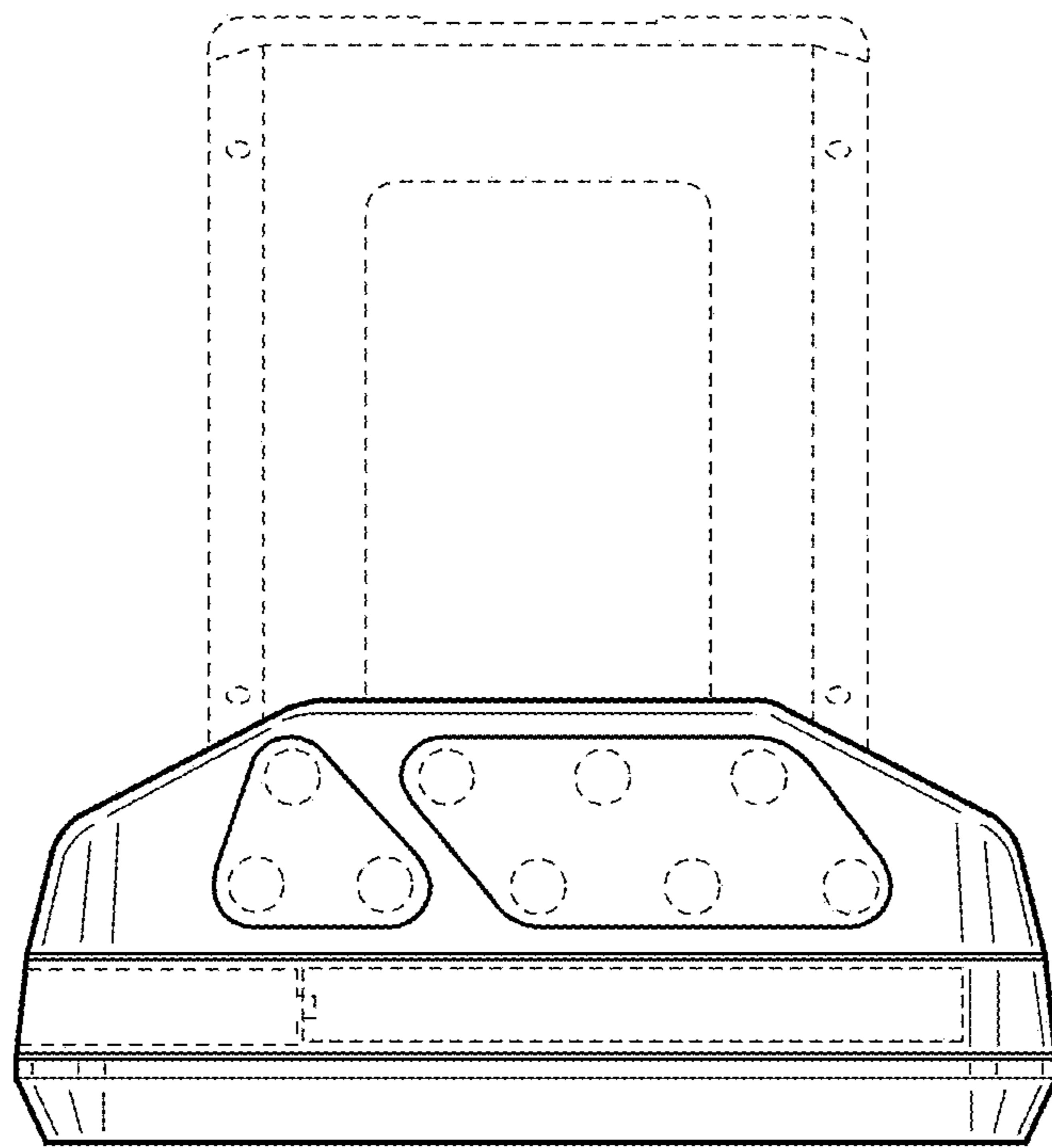


FIG. 13



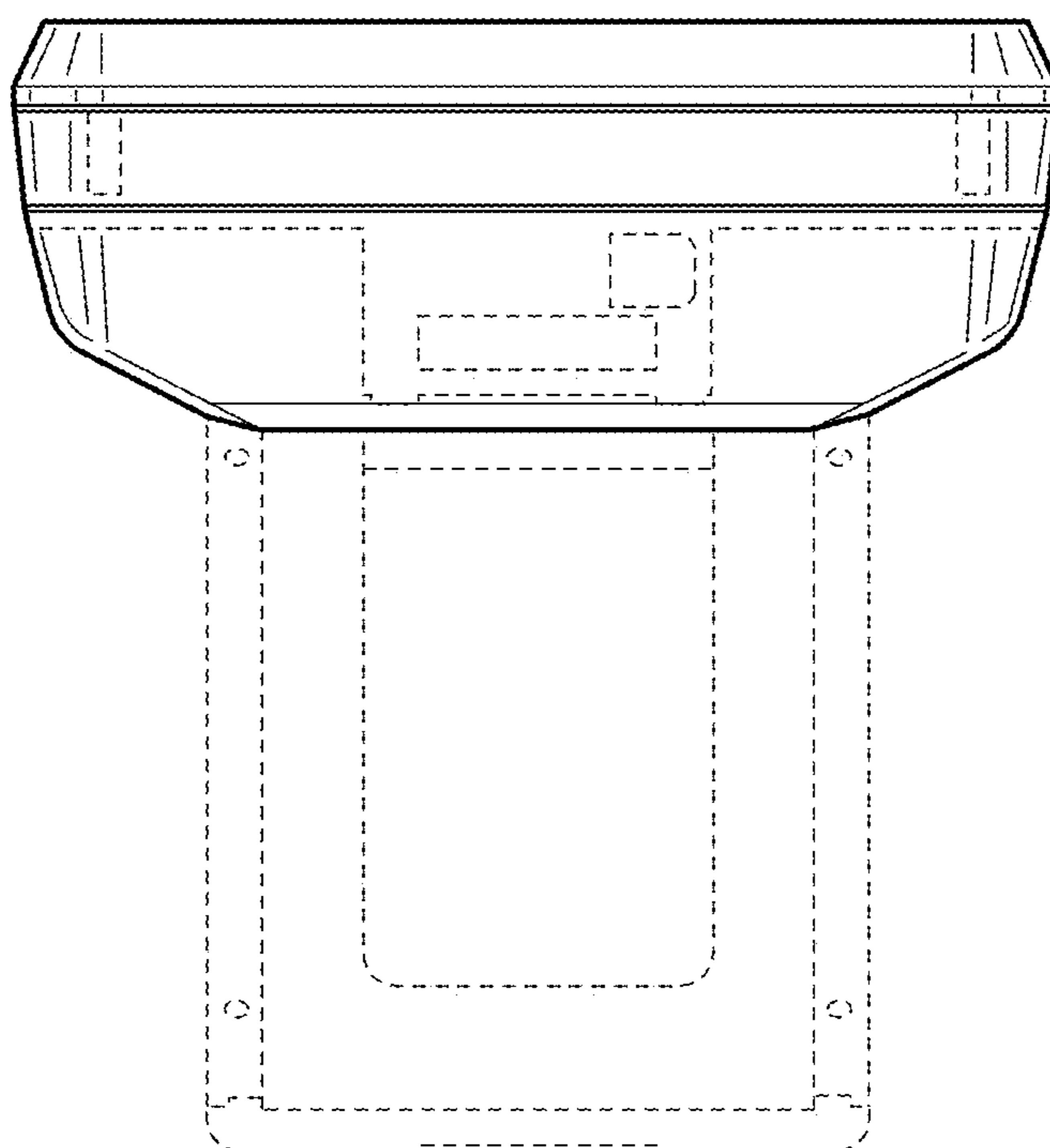


FIG. 14